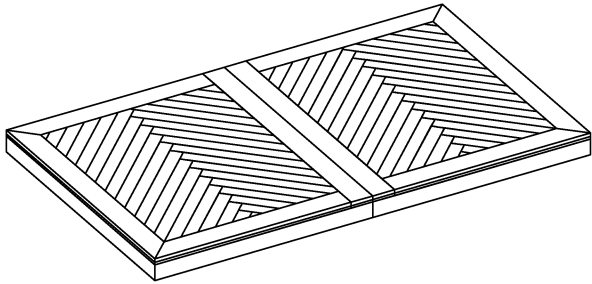


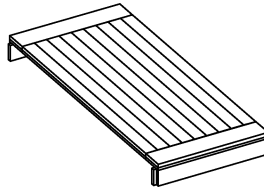
EXTENSION TABLE ASSEMBLY INSTRUCTIONS

PARTS PACKING CONFIGURATIONS

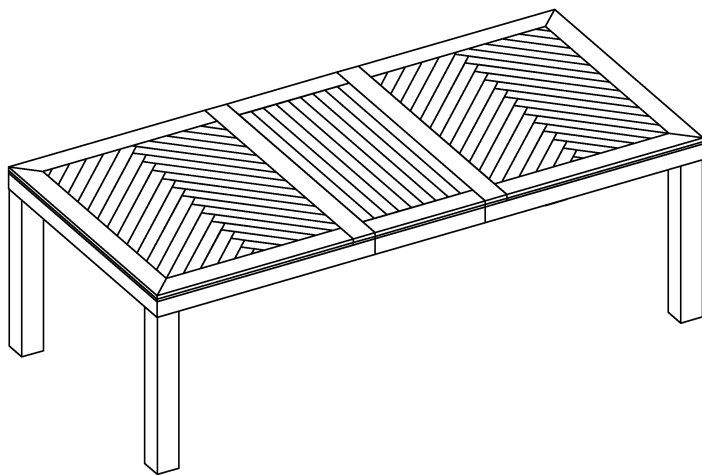
A. TABLE TOP 1PC







B. EXTENSION LEAF 1PC



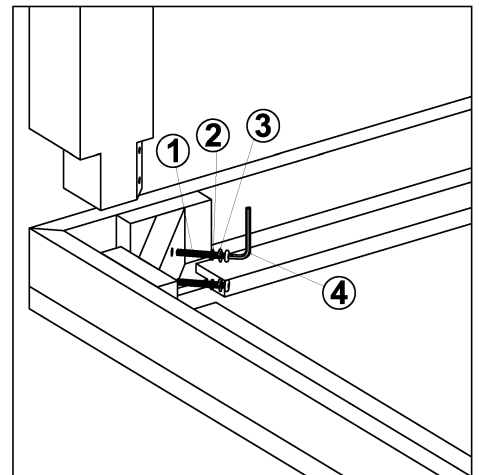
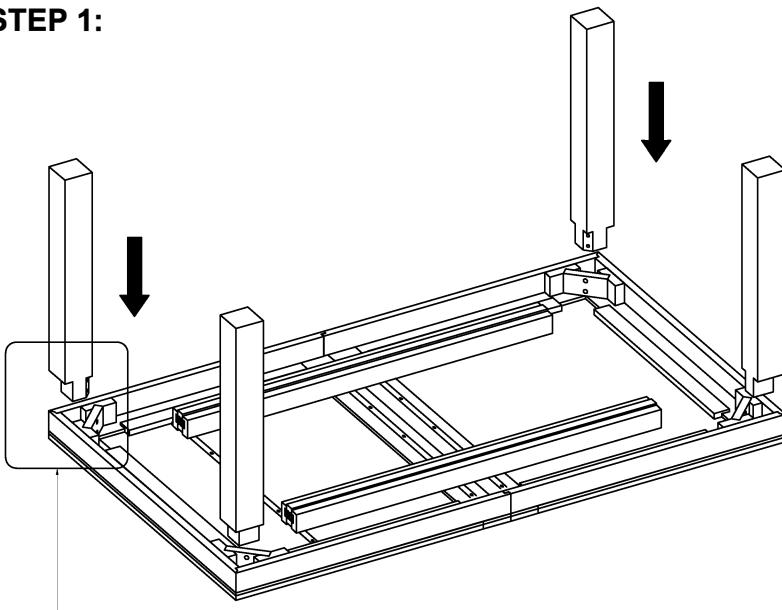
C. LEGS 4PCS



HARDWARE LIST

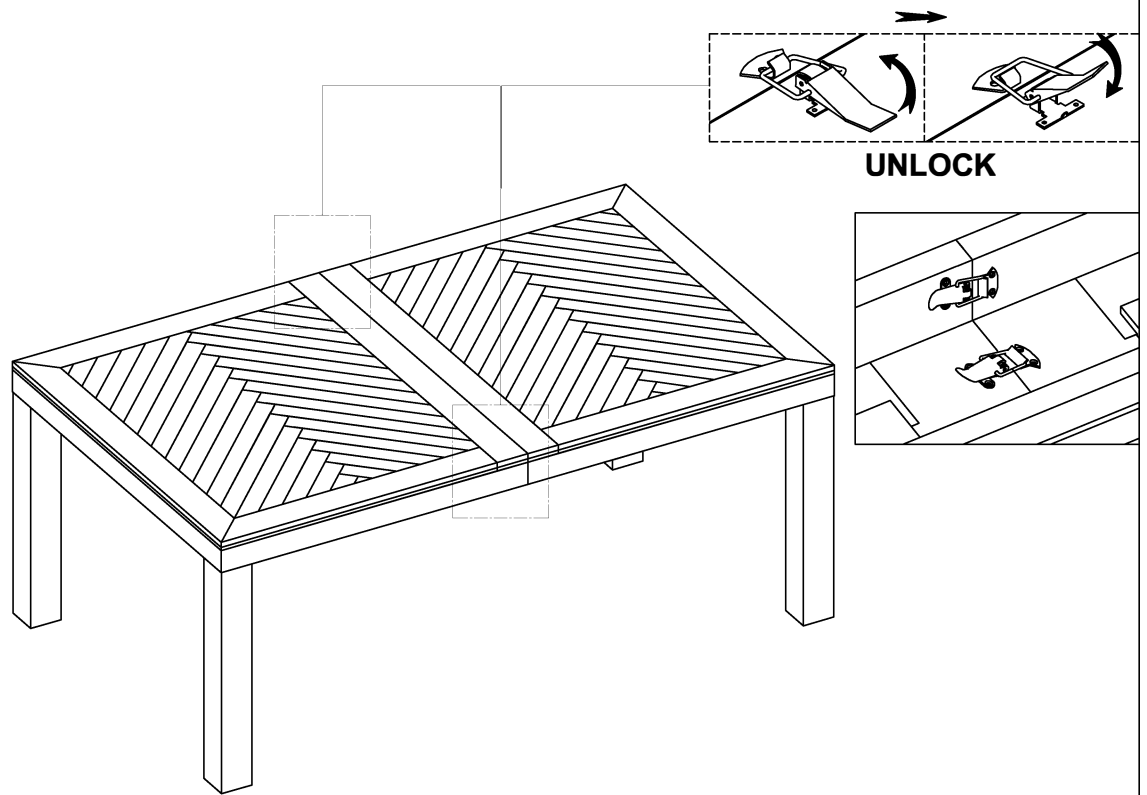
No.	Description	Photo	Quantity
1	ALLEN BOLT (M6 x 60)		08 PCS
2	FLAT WASHERS (M8)		08 PCS
3	SPRING WASHERS (M8)		08 PCS
4	ALLEN KEY (M4)		1 PC

STEP 1:

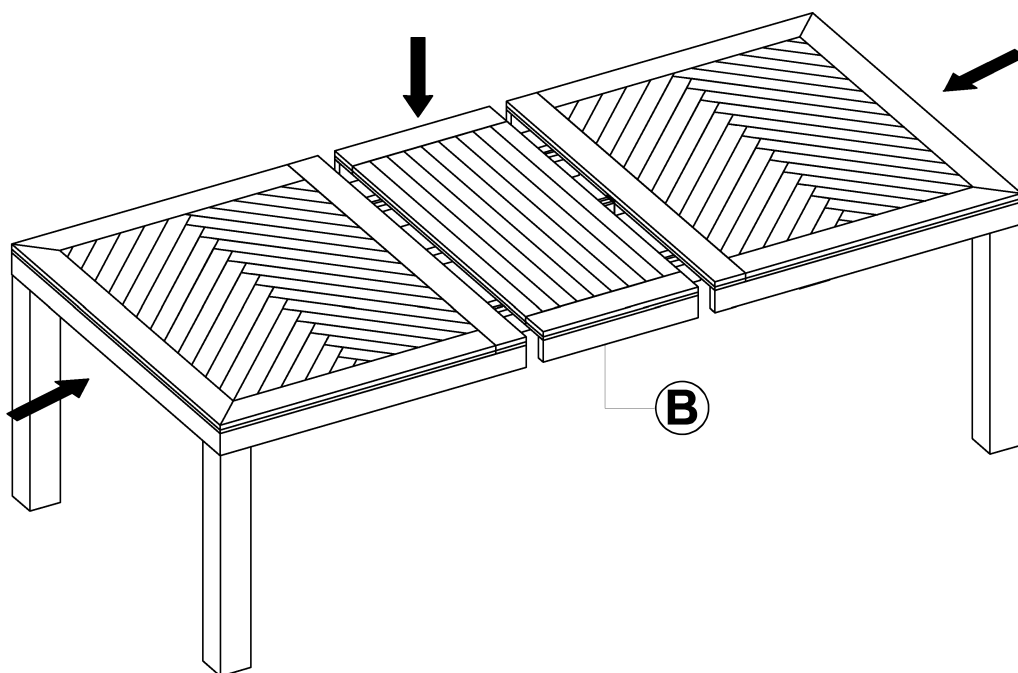


EXTENSION TABLE ASSEMBLY INSTRUCTIONS

STEP 2:

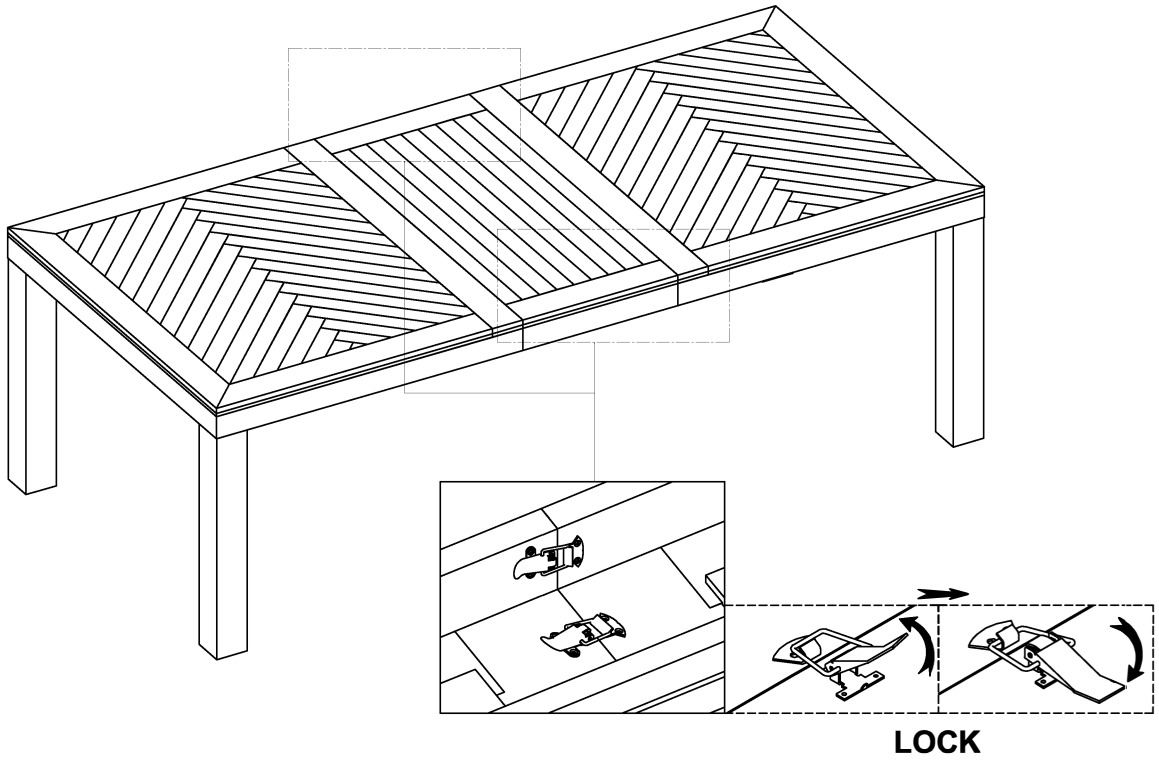


STEP 3:



EXTENSION TABLE ASSEMBLY INSTRUCTIONS

STEP 4:



DINING TABLE FULLY ASSEMBLED

