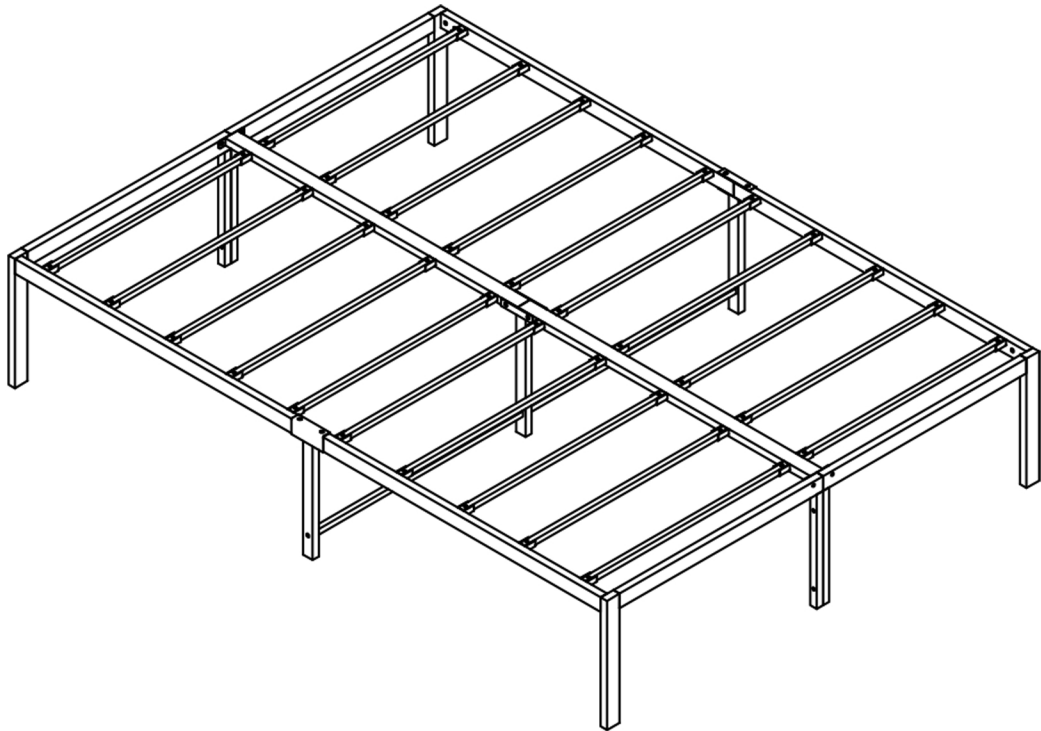


ASSEMBLY INSTRUCTION

MODEL NUMBER : BF-930G



WARRANTY:

We stand behind our products & service with confidence! If parts damaged or missing please feel free to contact us for a FREE REPLACEMENT.

We warranty this product to be free from defects in materials. This warranty covers one year from the date of original purchase.

NOTES:

- The item is only intended to be used indoors. The product must be assembled and used in accordance with the provisions of the manual.
- It is recommended that assembly is undertaken by about 2 adults. Please read assembly instructions before assembly and strictly adhere to each step outlined. Estimated assembly time is 30 minutes.

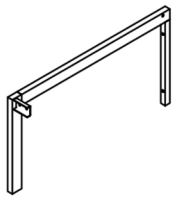
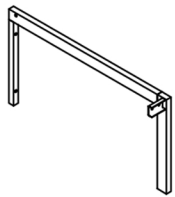
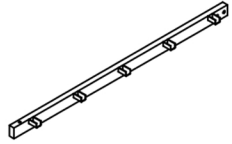
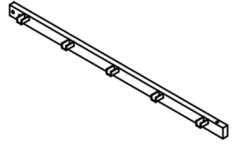
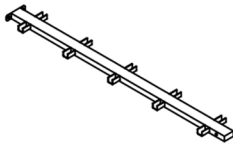

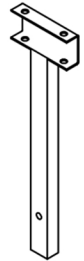
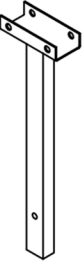

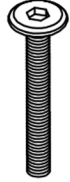
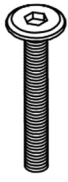
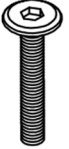
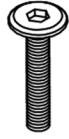






WARNING:

- **WARNING FOR YOUNG CHILDREN** - This product contains small components, please ensure that they are kept away from small children while assembling.

After-sales support email: after-saleservice@outlook.com

1

PARTS LIST

A	B	C	D	E	F	G	H			
										
2PCS	2PCS	2PCS	2PCS	2PCS	20PCS	2PCS	1PC			
I	a	b	d	e	f	g	h	i	j	k
										
2PCS	1/4*55 6PCS	1/4*50 4PCS	1/4*35 2PCS	1/4*30 4PCS	1/4*25 40PCS	1/4*16 8PCS	1/4*45 1PC	54PCS	2PCS	2PCS

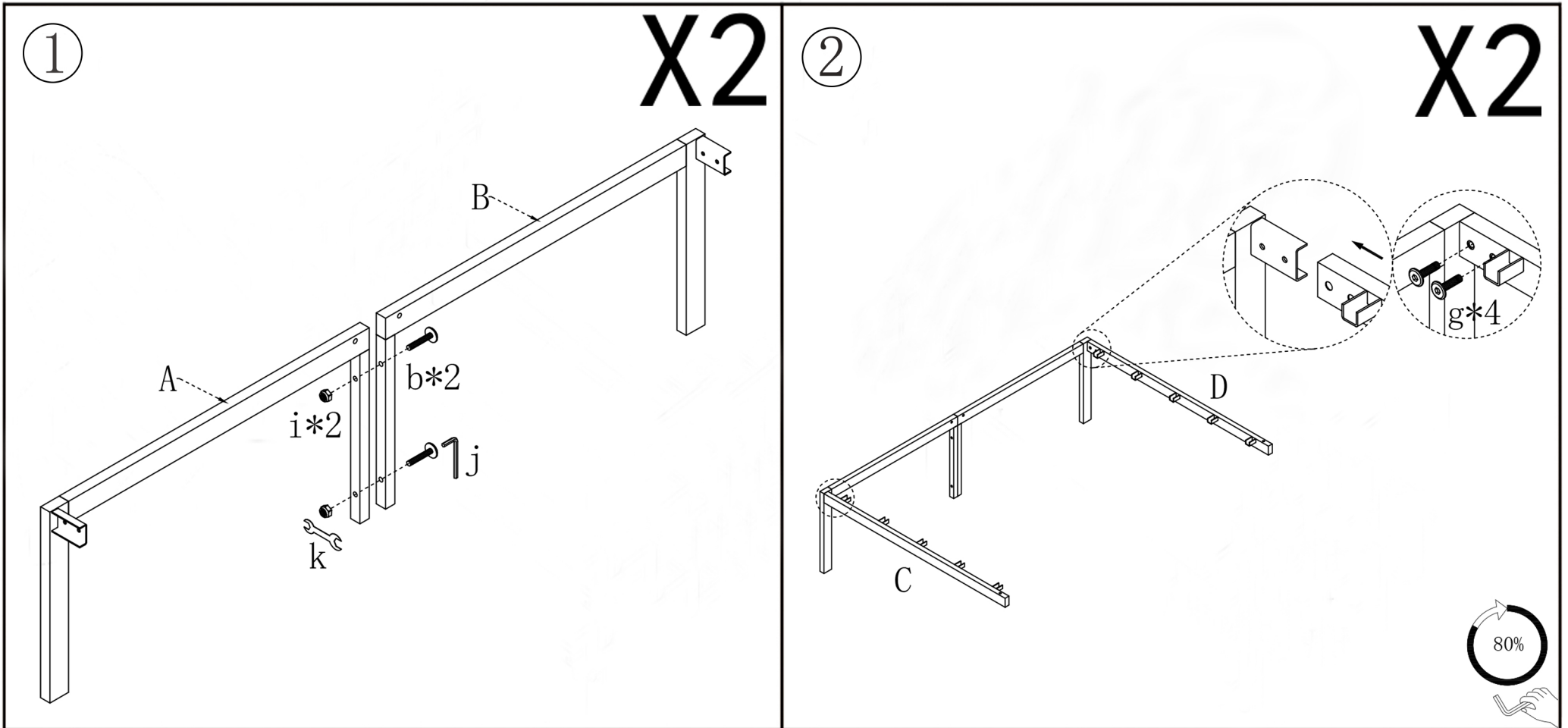
IMPORTANT:

Please check parts list before you start to assembly. If parts damaged or missing. Contact your seller for a FREE REPLACEMENT. Please provide your order number, a brief message about the issue, and your shipping address. Thank you!

After-sales support email: after-saleservice@outlook.com

2

NOTE: PLEASE DO NOT TIGHTEN THE BOLTS UNTIL ALL FIXED

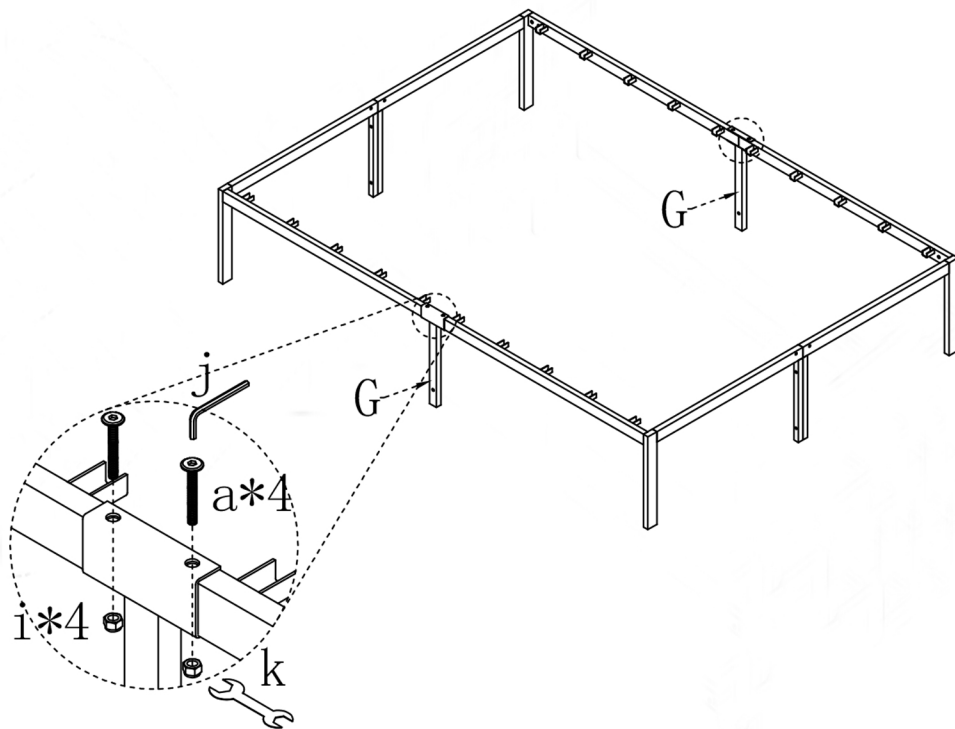


After-sales support email: after-saleservice@outlook.com

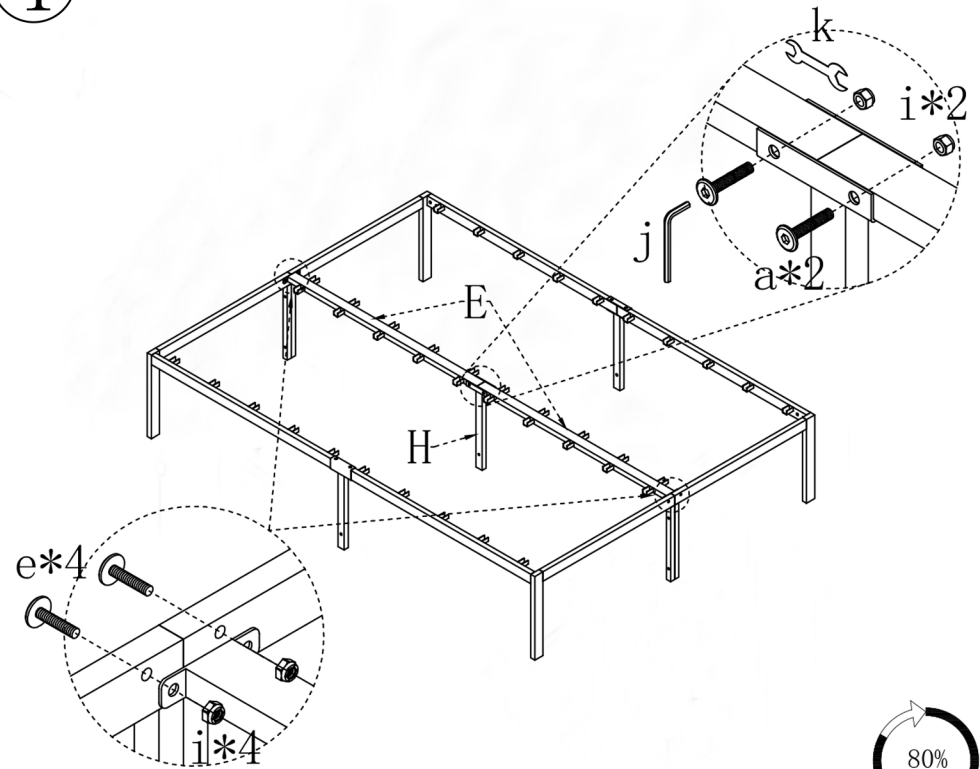
3

NOTE: PLEASE DO NOT TIGHTEN THE BOLTS UNTIL ALL FIXED

3



4



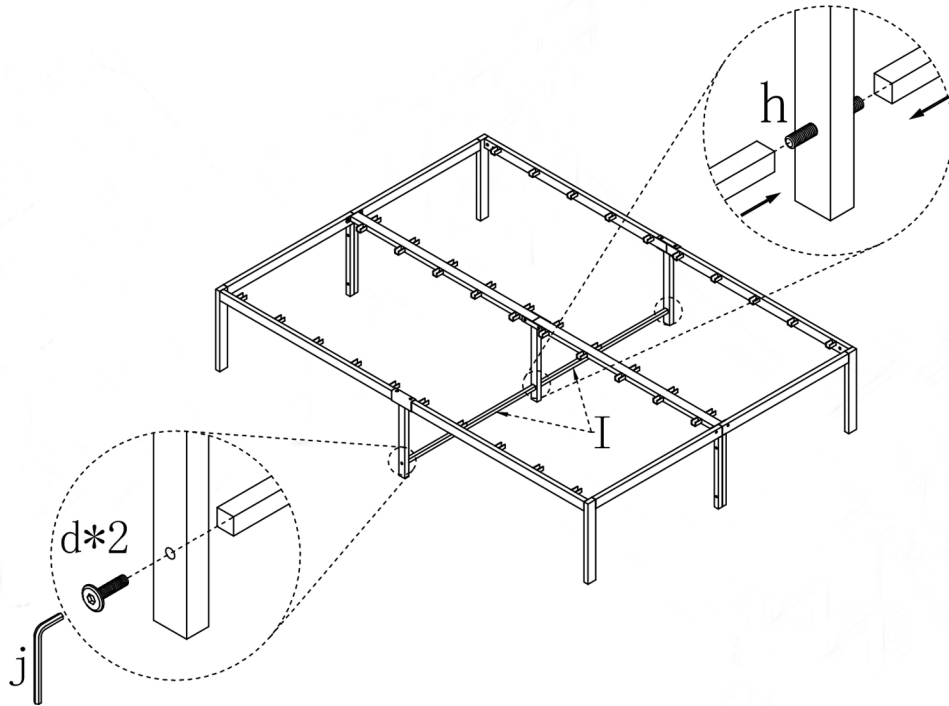
80%

After-sales support email: after-saleservice@outlook.com

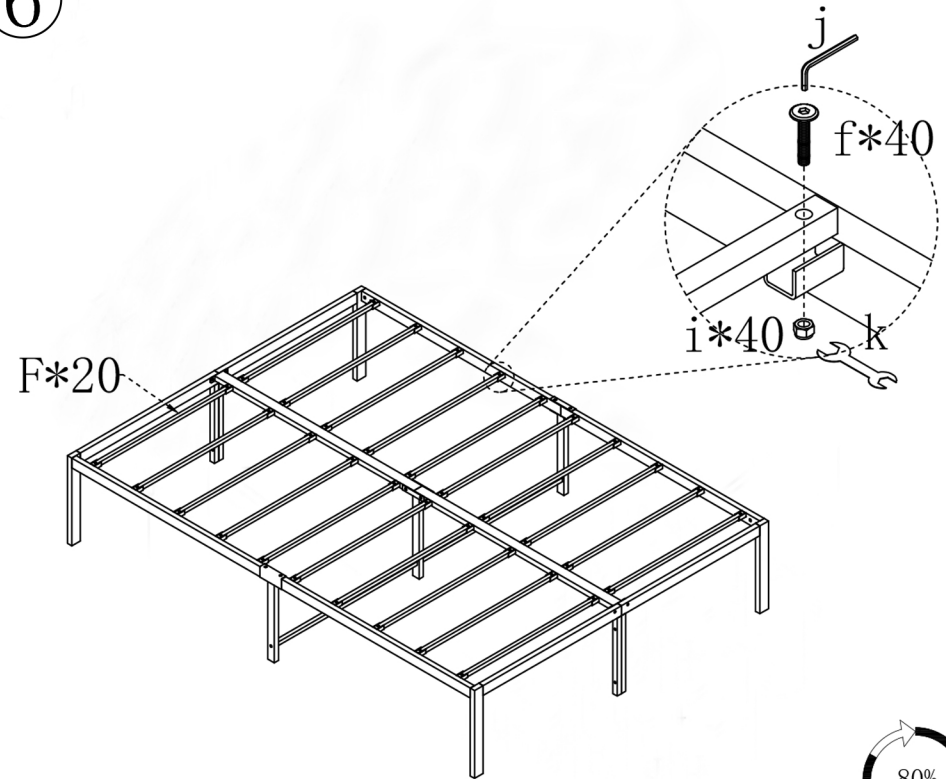
4

NOTE: PLEASE DO NOT TIGHTEN THE BOLTS UNTIL ALL FIXED

5



6

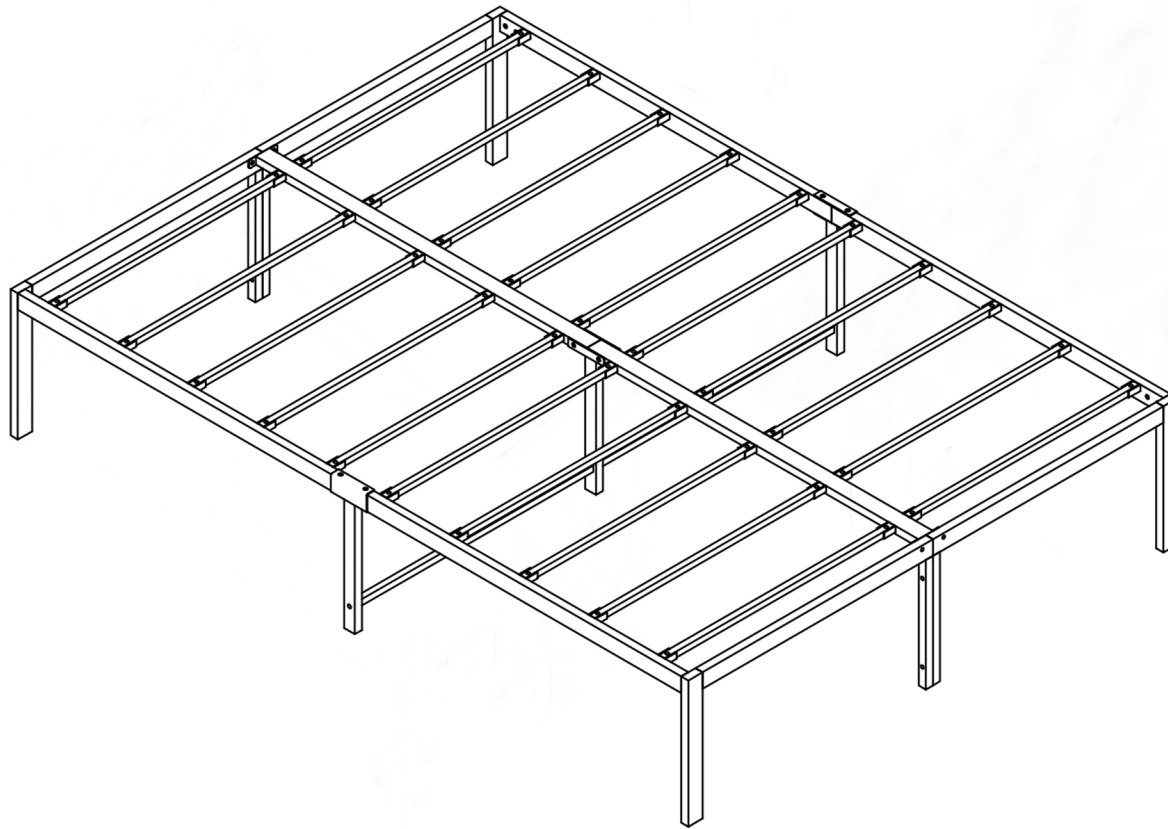


After-sales support email: after-saleservice@outlook.com

5

NOTE: PLEASE DO NOT TIGHTEN THE BOLTS UNTIL ALL FIXED

7



IMPORTANT:Please completely tighten all the bolts and nuts.

After-sales support email: after-saleservice@outlook.com