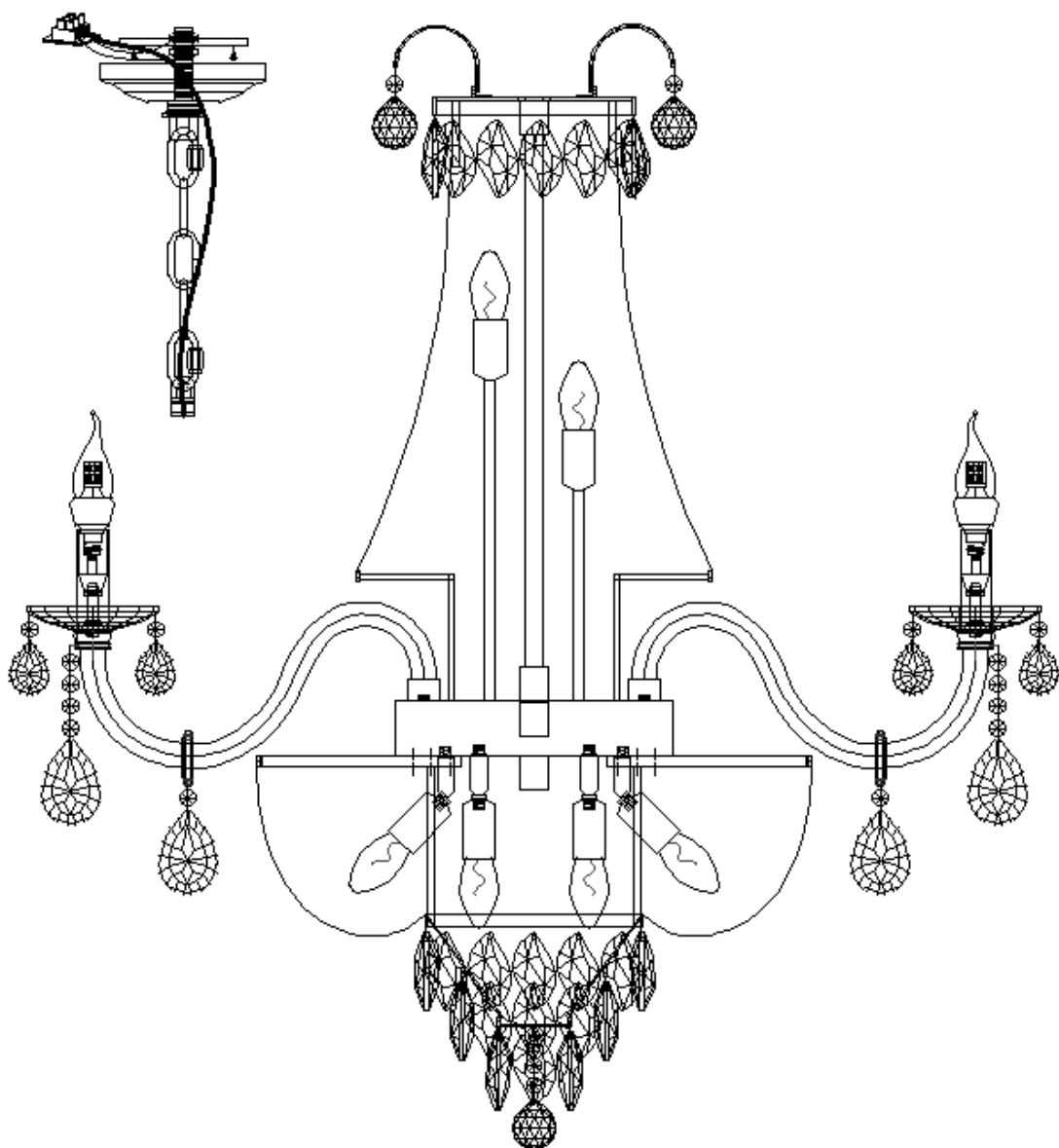


Light Pendant Assembly Instructions



IMPORTANT INFORMATION, RETAIN FOR FUTURE REFERENCE: READ CAREFULLY

CAUTION: Read instruction carefully and turn electricity off at main circuit breaker panel before beginning installation.

Care and Cleaning

When clean the surface of the fixture, please use a dry or slightly clean dampened cloth(use clean water & avoid corrosive solvents) to wipe the surface of the fixture.

When clean the inside of the fixture, Please turn off the power at home first.

Then, use a

dry or slightly dampened clean cloth(use clean water & avoid corrosive solvents) to wipe the

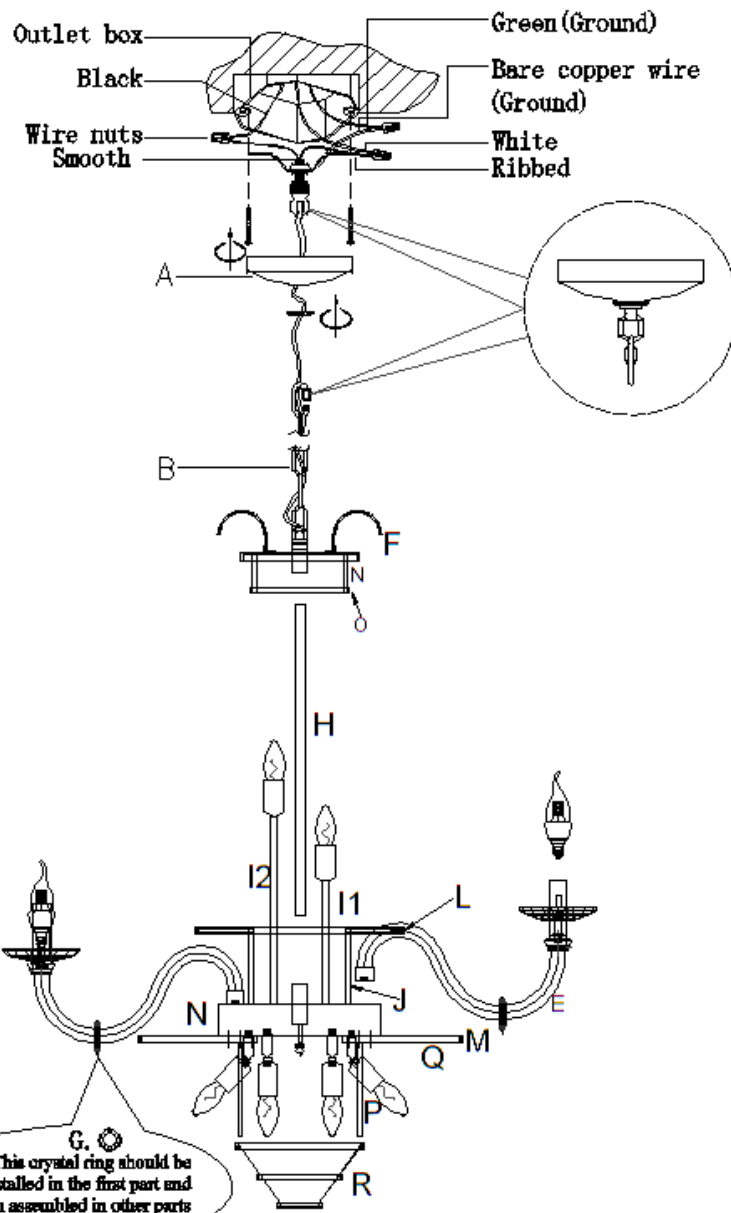
interior surface of the fixture.

Don't use chemical cleaners, solvents or harsh abrasives. Use Only a dry soft

cloth to

dust or wipe carefully.

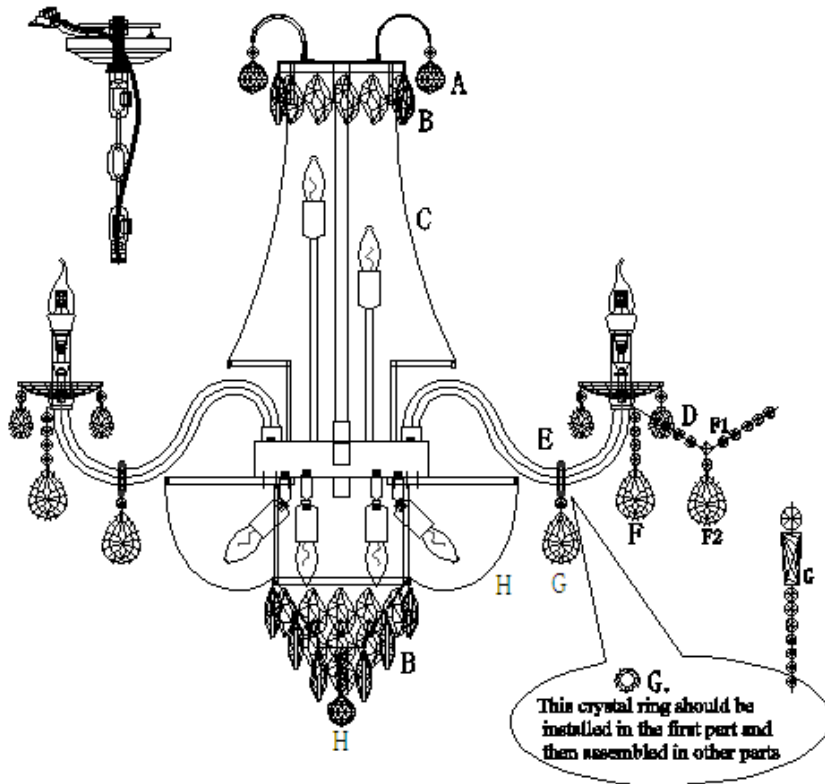
PACKING LIST 2



Part List and Hardware List

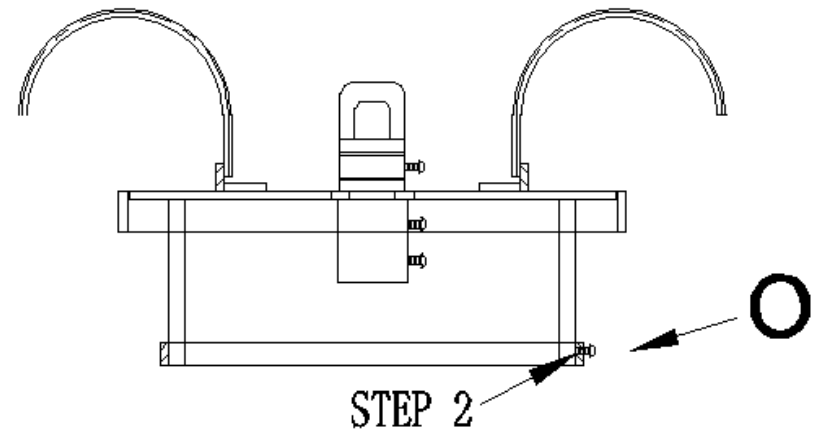
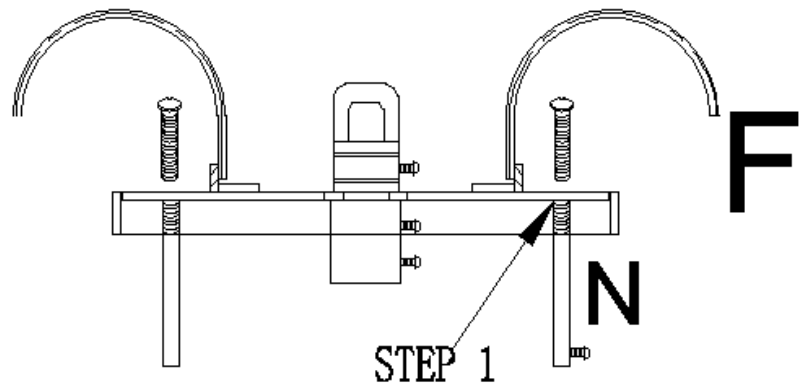
STEP	PICTURE	QUANTITY
A		1X
B		1X
C		4X
D		1X
E		10X
F		1X
G		10X
H		1X
I1		1X
I2		1X
J		5X
K		1X
L		1X
M		1X
N		1X
O		3X
P		3X
Q		6X
R		1X

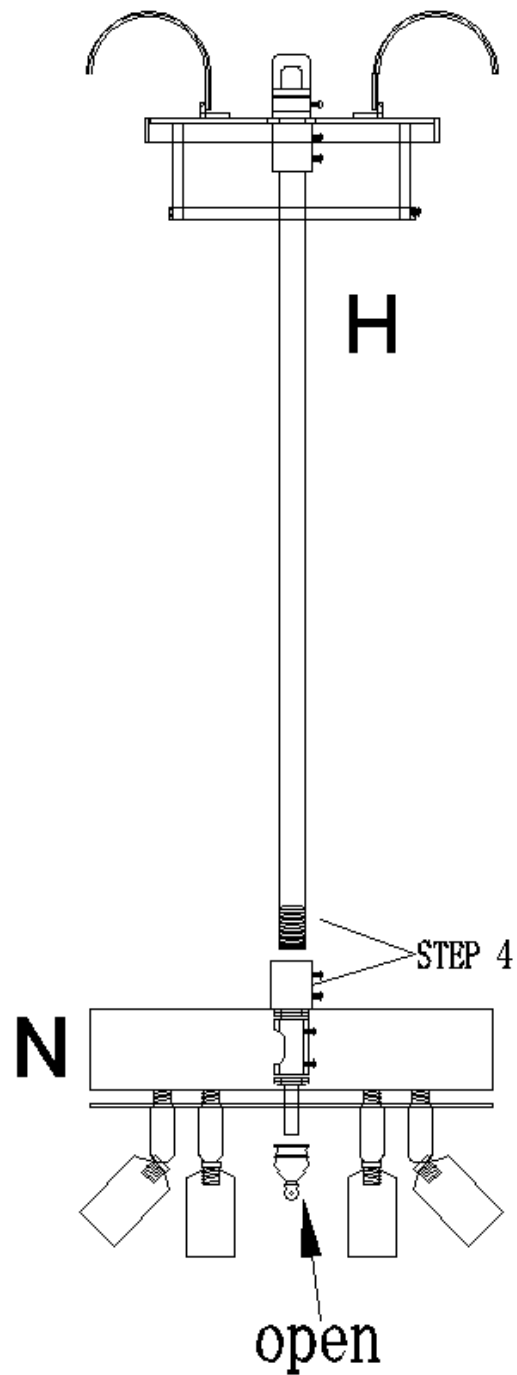
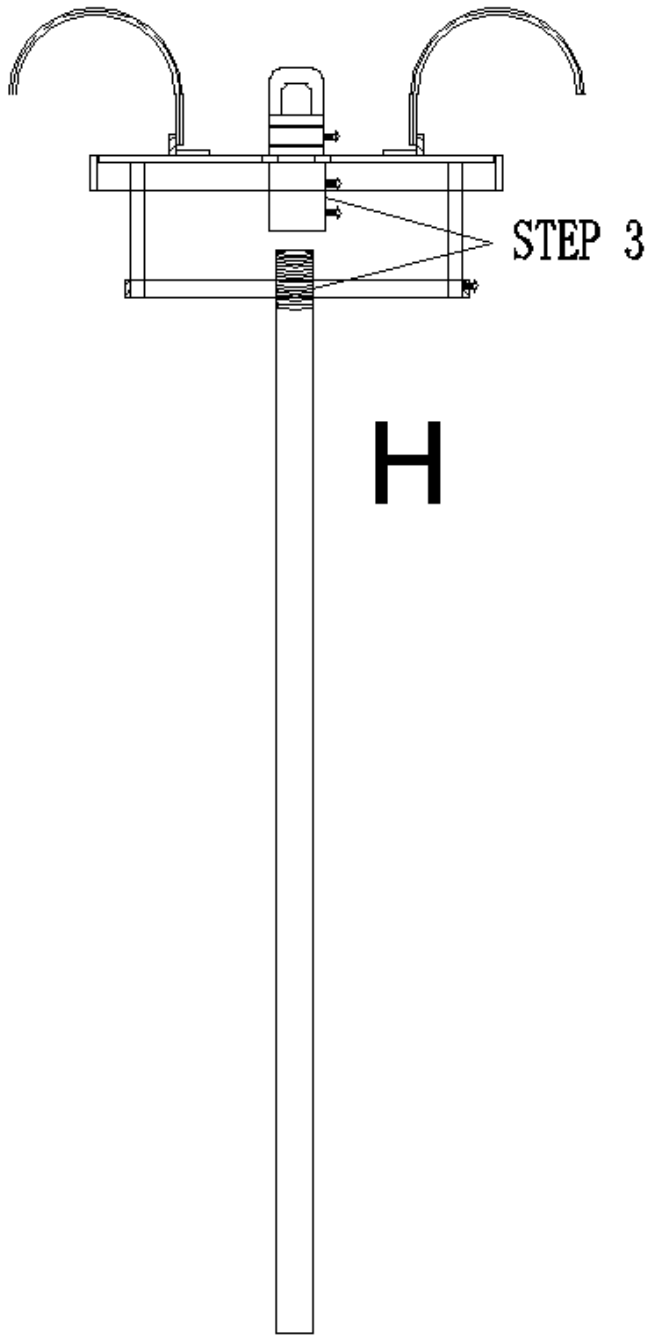
PACKING LIST 2

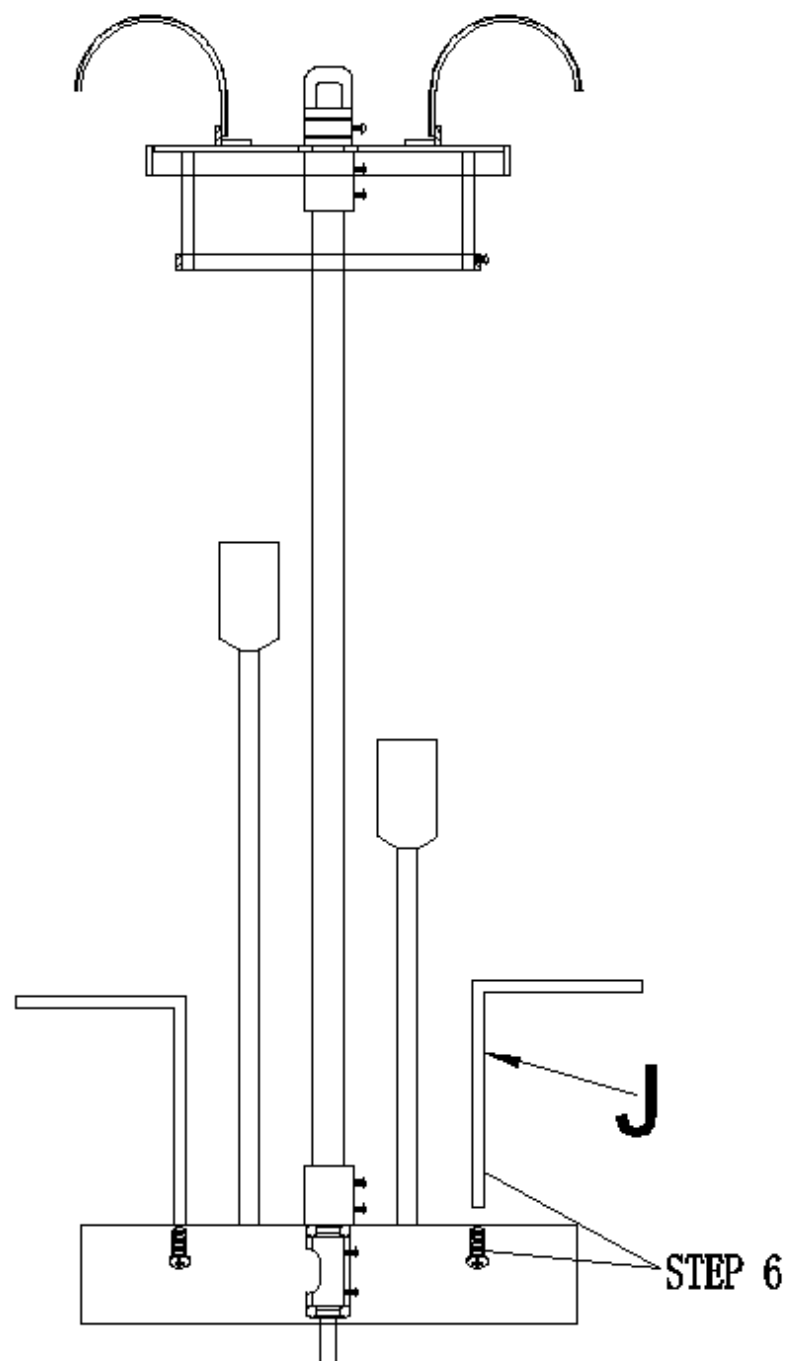
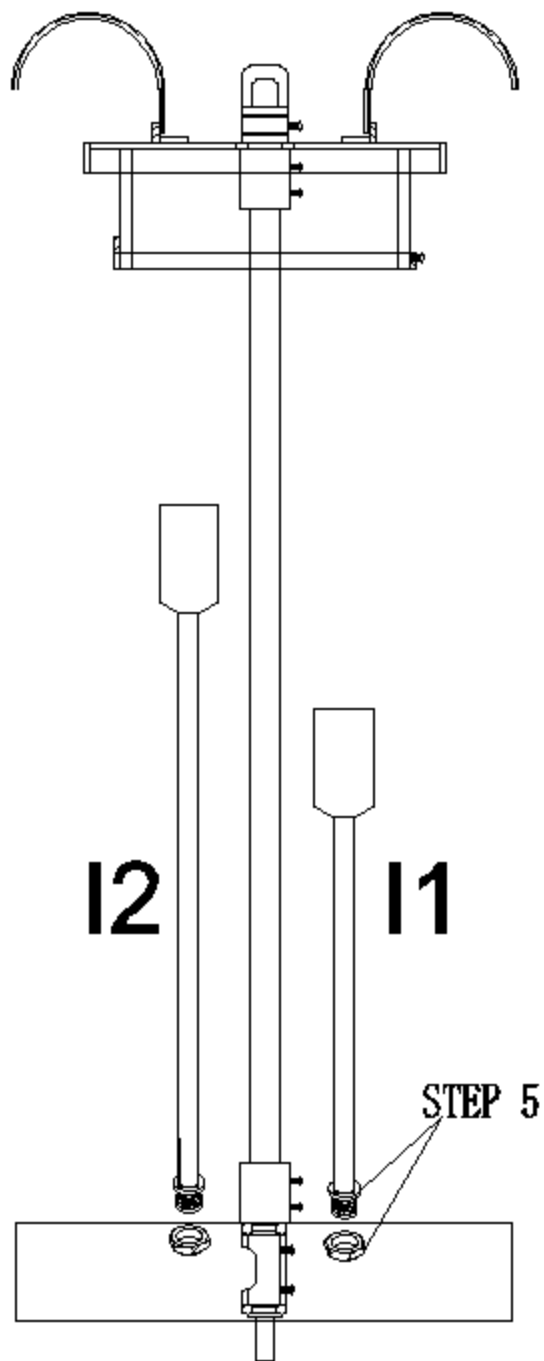


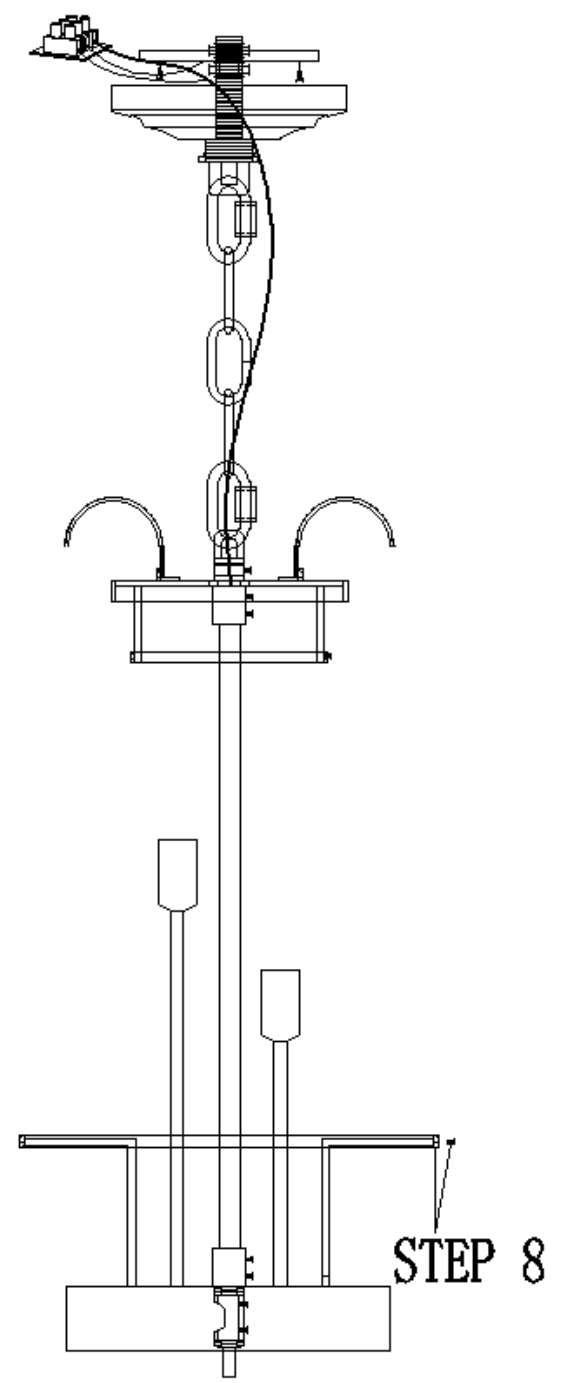
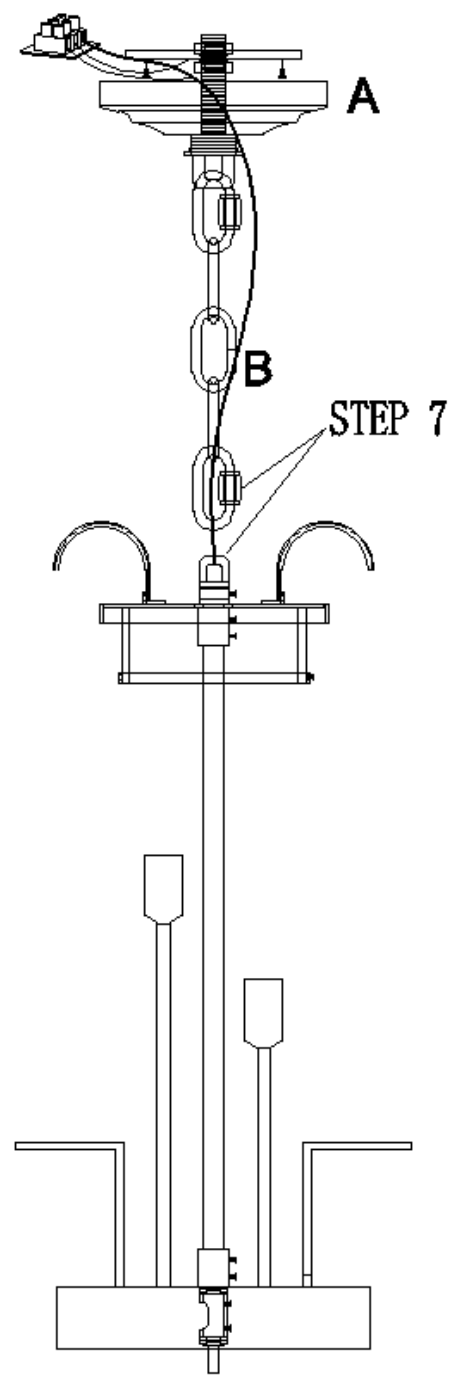
NO.	The detail	Qunatity
A	14# *1+30# *1	16
B	70# *1	44
C	14# *18	30
D	14# *1+50# *1	40
E	14# *4+76# *1	10
F1	14# *6+14# *1+14# *6	10
F2	14# *1+76# *1	10
G	14# *1+50# *1+76# *1	10
H	*1+76# *1	44
I	14# *3+40# *1	1

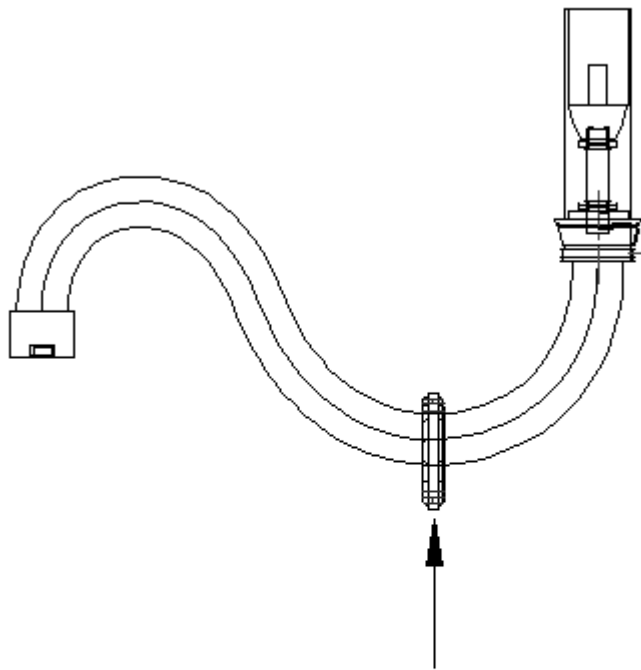
ASSEMBLY







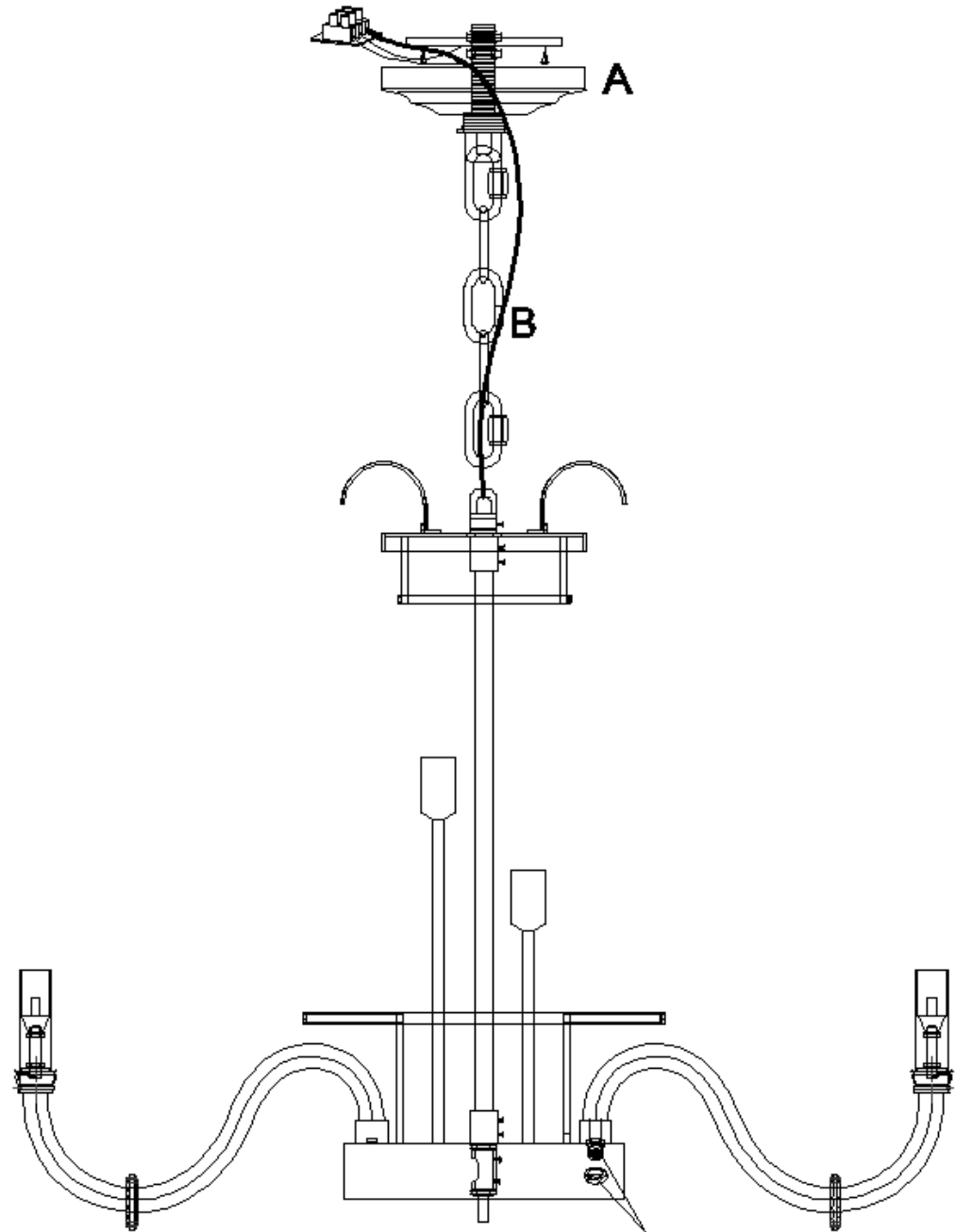




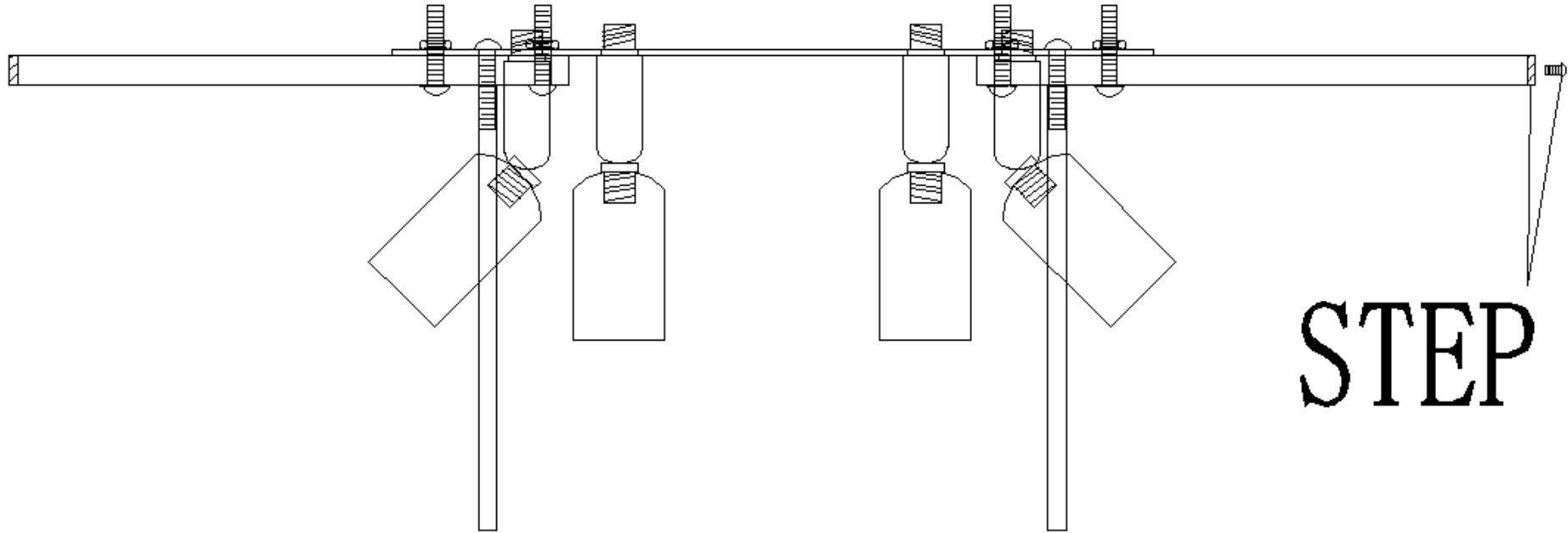
STEP 9

G. 

This crystal ring should be installed in the first part and then assembled in other parts



STEP 10



M

STEP 13

