

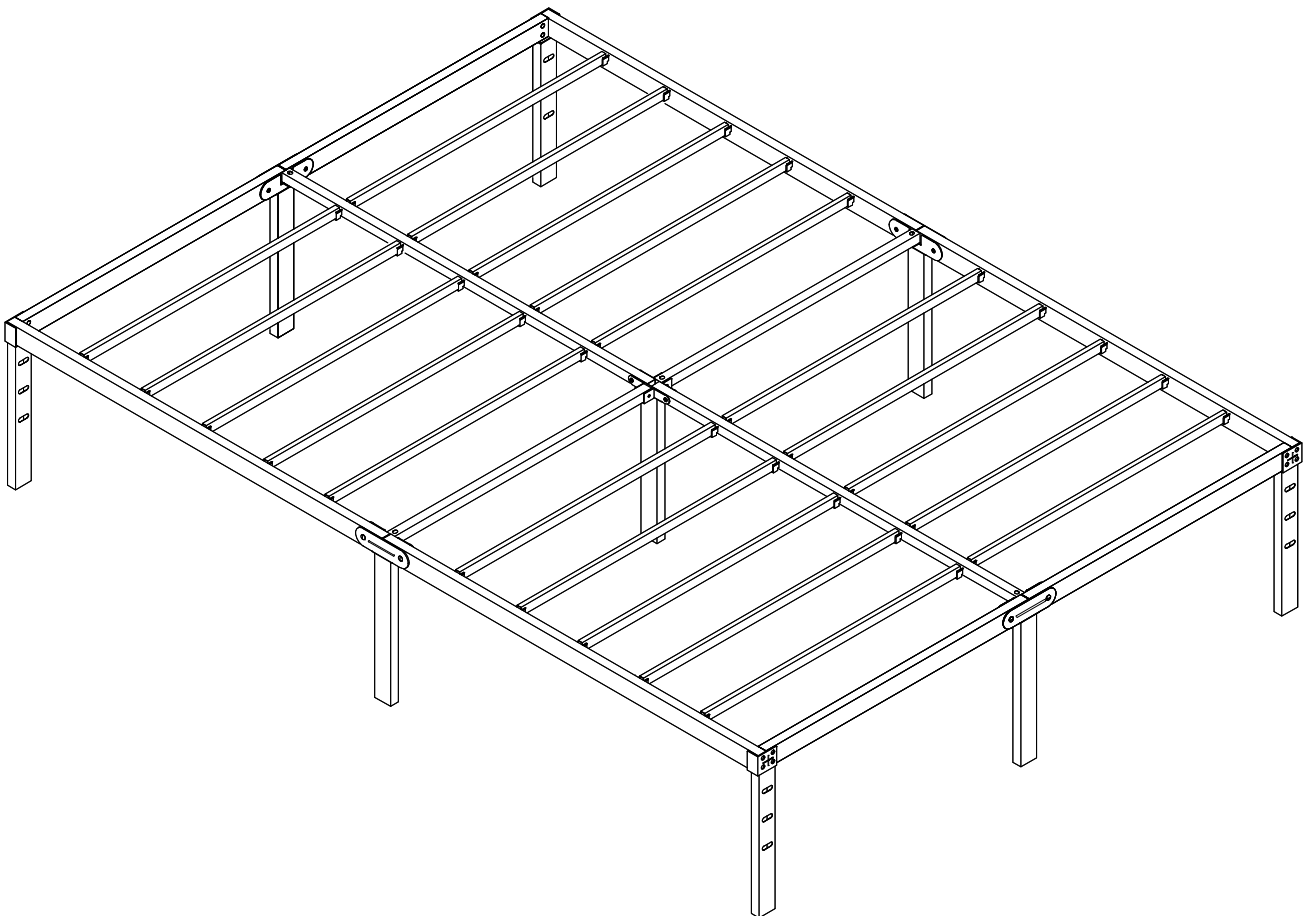
# ASSEMBLY INSTRUCTION

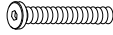

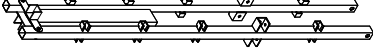
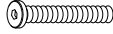

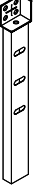
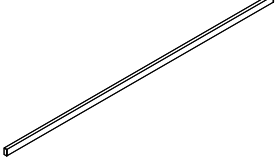
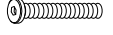


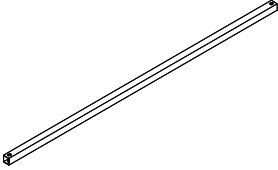


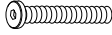
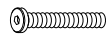
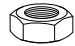
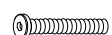

## NOTES:

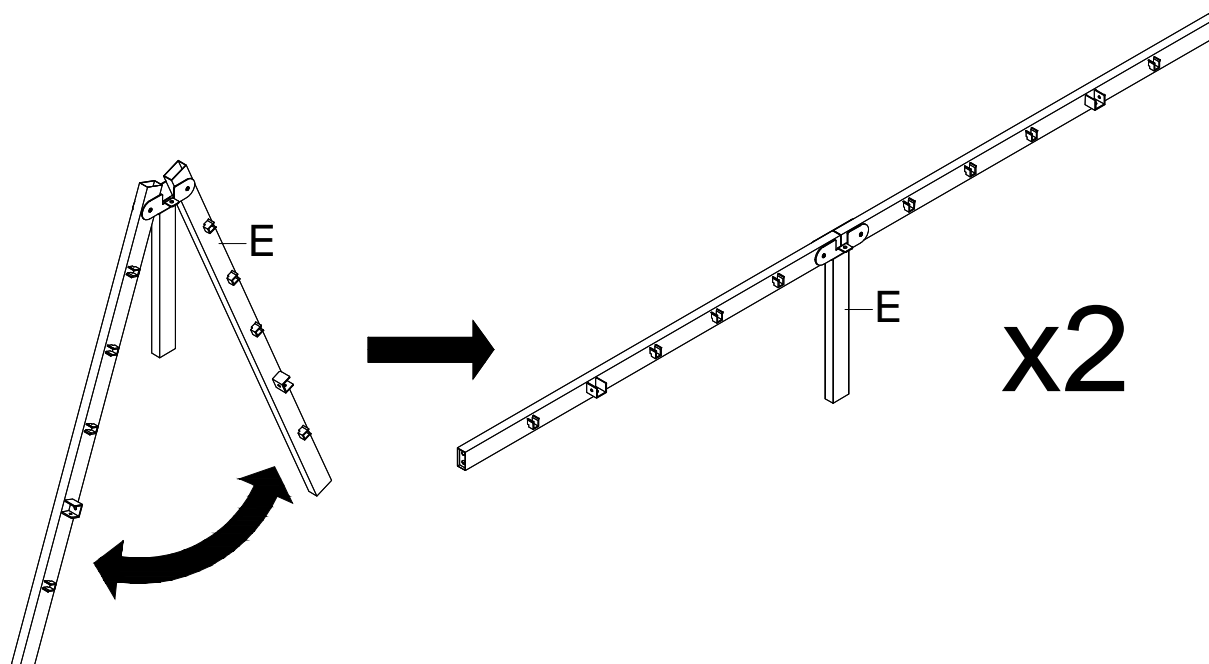
- Do not skip any step.
- Do not fully tight screws until all the bed parts are assembled.

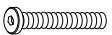

## WARNING:

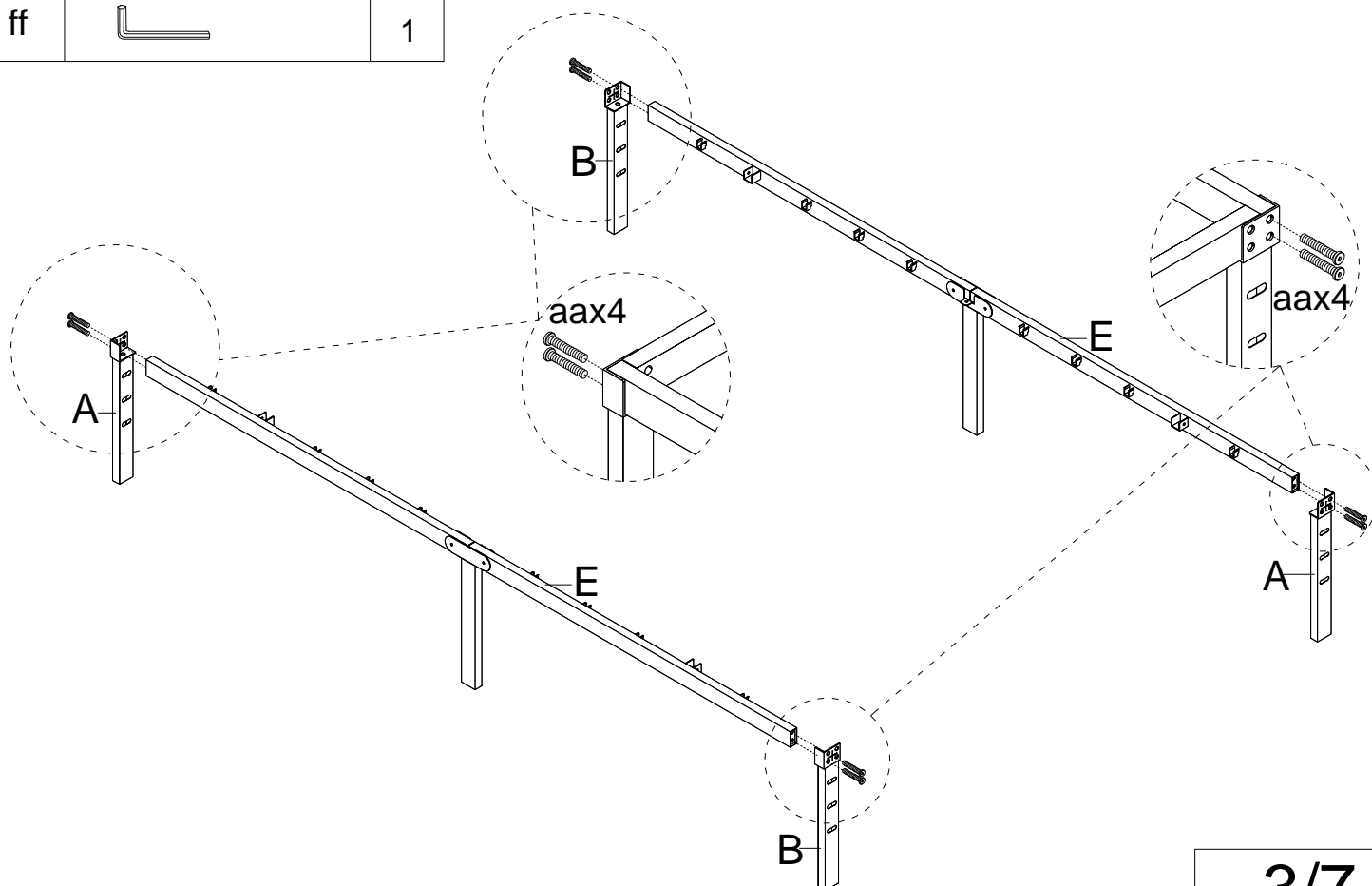
WARNIND FOR YOUNG CHILDREN-This product contains small components,please ensure that they are kept away from small children while assembling.



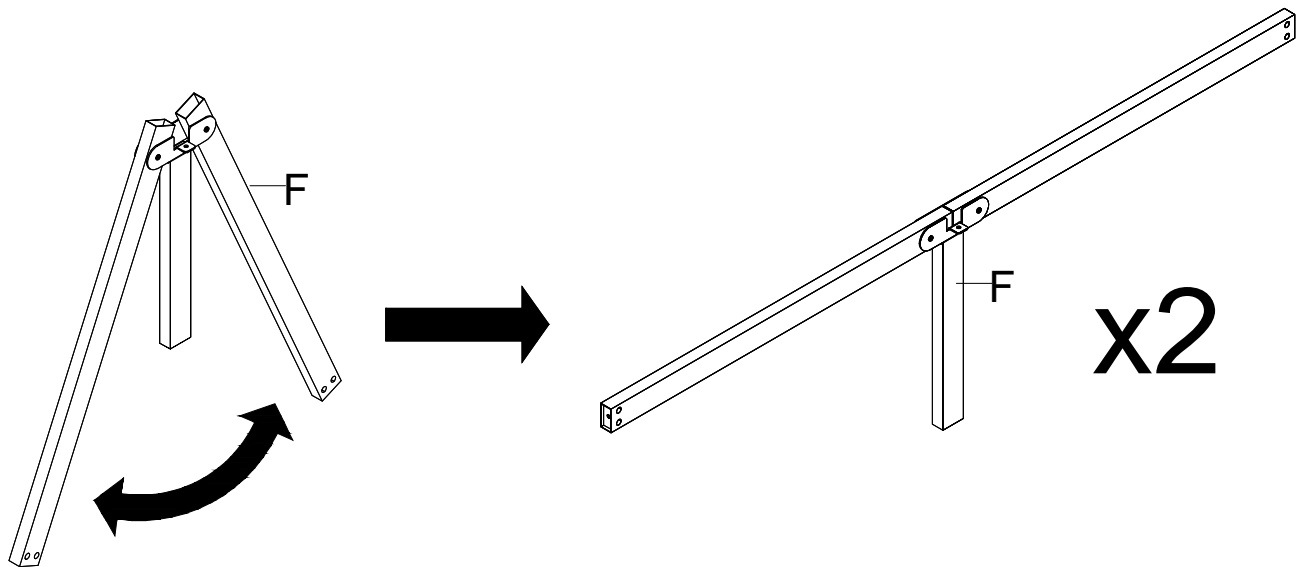
<p style="text-align: center;"><b>A</b></p>	<p style="text-align: center;"><b>G</b></p>	aa		M8x25	8
 <p style="text-align: center;">2PCS</p>	 <p style="text-align: center;">1PC</p>	bb		M8x35	8
<p style="text-align: center;"><b>B</b></p>	<p style="text-align: center;"><b>H</b></p>	cc		M8	8
 <p style="text-align: center;">2PCS</p>	 <p style="text-align: center;">20PCS</p>	dd		M6x30	6
<p style="text-align: center;"><b>E</b></p>	<p style="text-align: center;"><b>P</b></p>	ee			1
 <p style="text-align: center;">2PCS</p>	 <p style="text-align: center;">2PCS</p>	ff			1
<p style="text-align: center;"><b>F</b></p>					
 <p style="text-align: center;">2PCS</p>					
		SPARE	aa		1
			bb		1
			cc		1
			dd		1
			ff		
					2/7

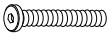





aa		M8x25	8
ff			1

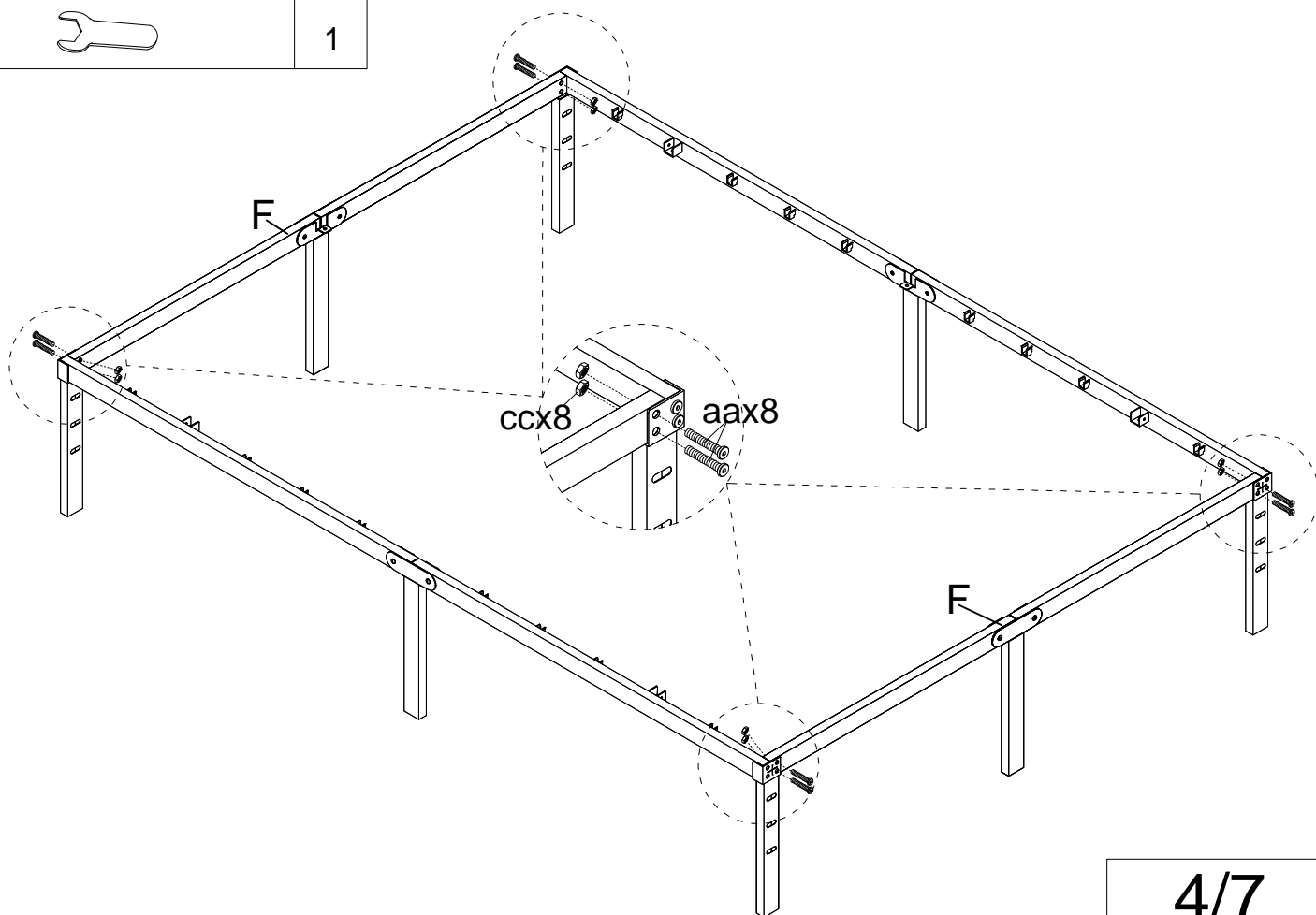


Step 3

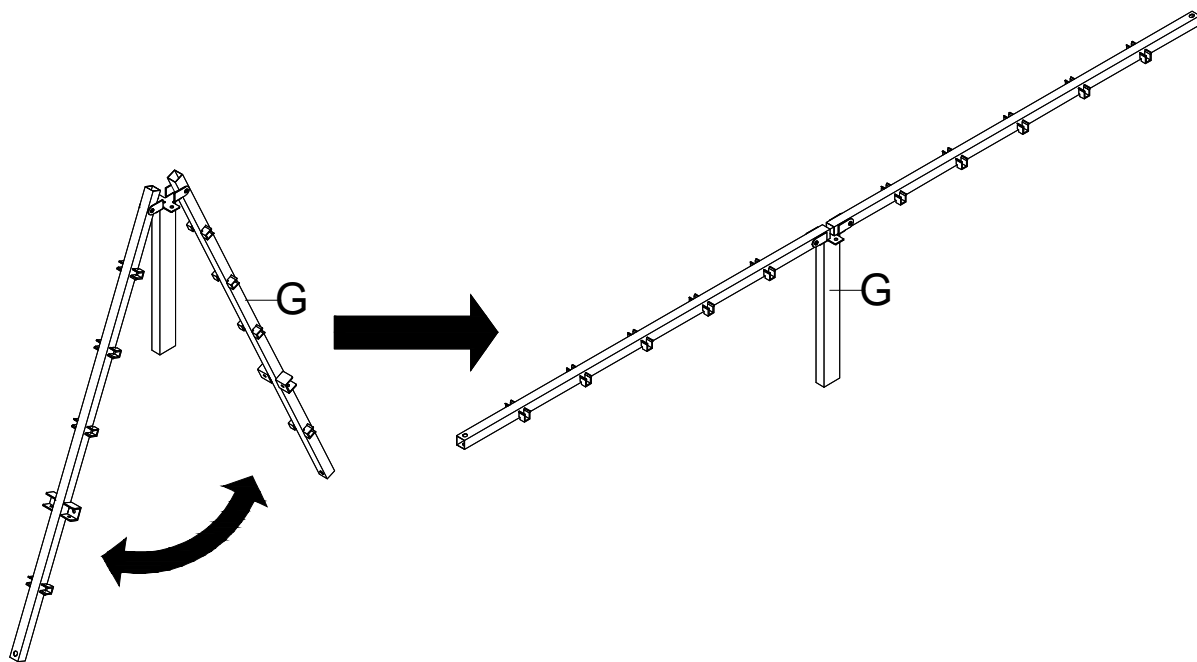


bb		M8x35	8
cc			8
ff			1
ee			1

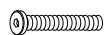
Step 4



Step 5



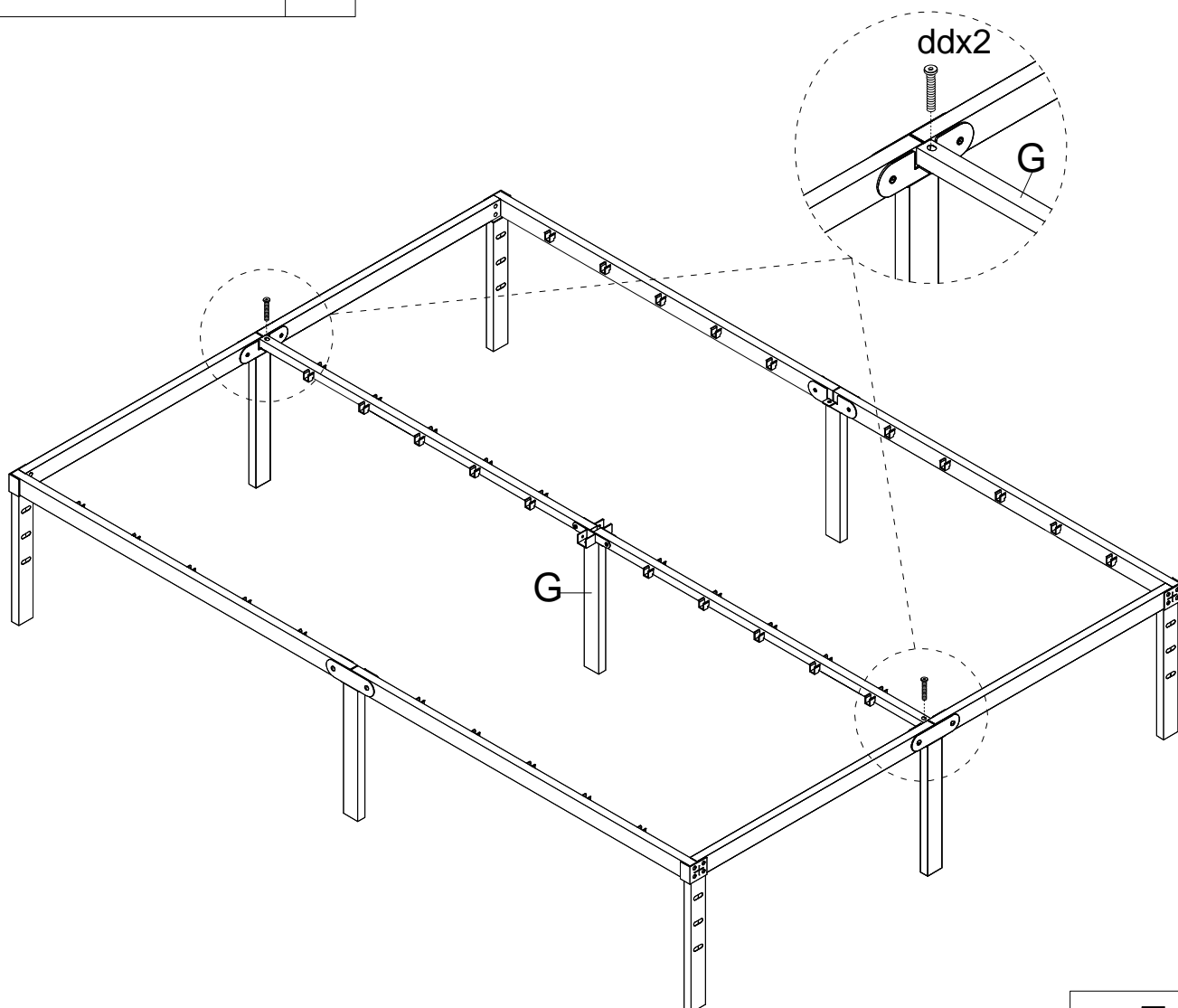
dd





M6x30

2

Step 6



dd		M6x30	4
ff			1

