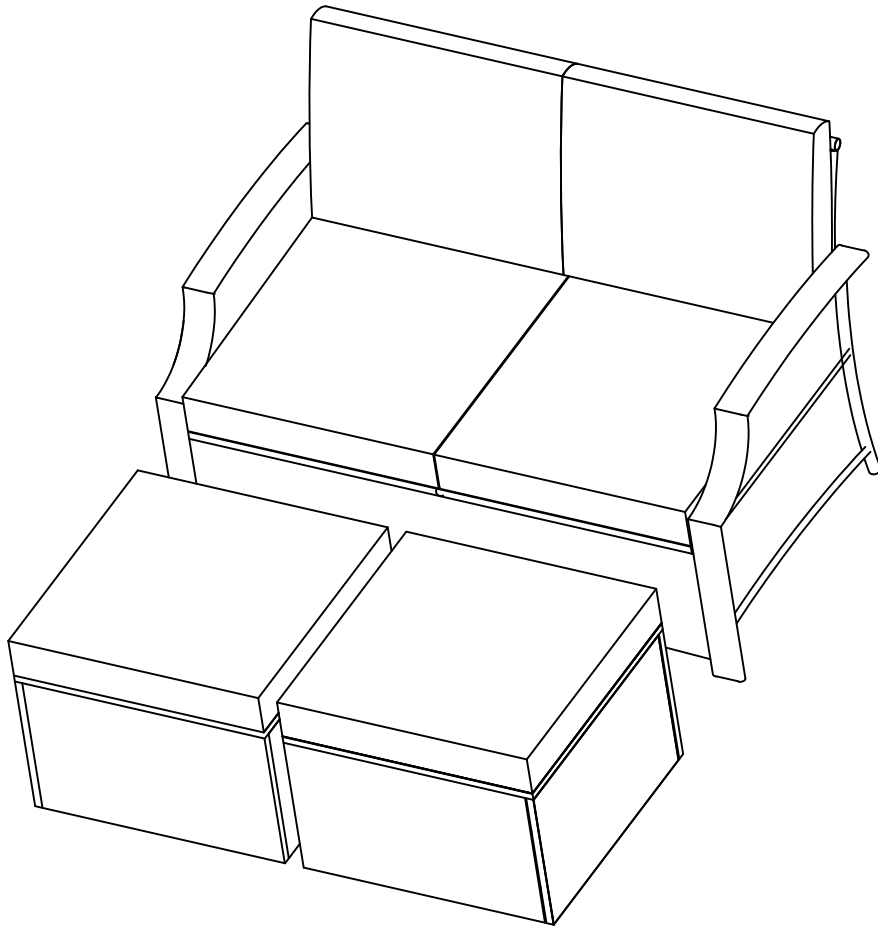


OUTDOOR SWIVEL CAHIR ASSEMBLY INSTRUCTION

GGOT4011-E



ATTENTION

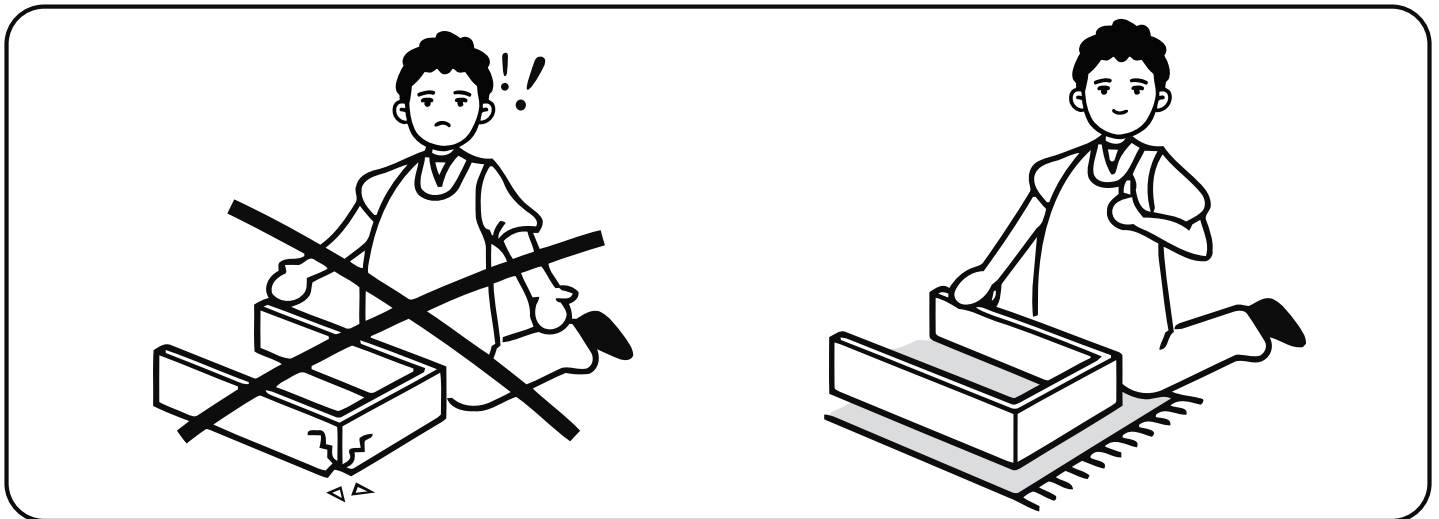
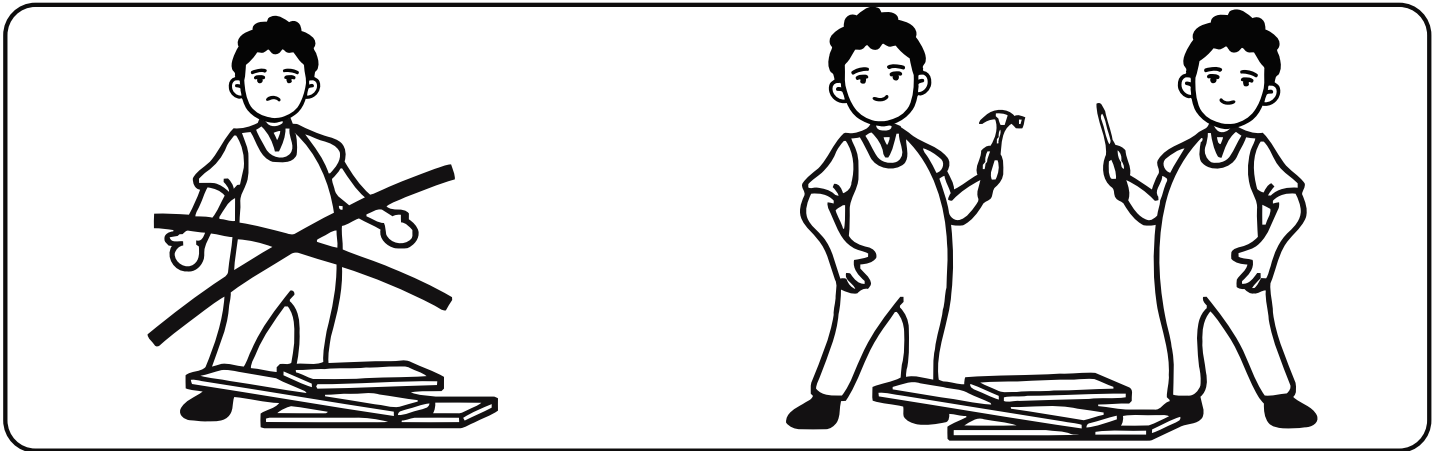
Thanks for choosing our product.

- 1. Please check the part list carefully to make sure you've received all the parts.**
- 2. If there are any missing parts, please contact us with the number and quantity. We will send them to you ASAP.**
- 3. If there are any damaged parts, please contact us with clear pictures or video. We'll offer you the best solution after confirming it.**

NOTE

- 1. If one or some screws are fully tightened during assembly, the others screws may not be aligned with screw holes. 50% tighten before fastening all screws. Allen wrench is recommended instead of an electric drill.**
- 2. If some screws are not aligned with holes during assembly, please loosen all the other screws to 50% and continue the assembly process.**
- 3. If the items is not stable, please loosen all the screws, adjust it on a flat ground and tighten all the screws.**
- 4. Please don't put the furniture outside without any sunshades in rainy, snowy days. Waterproof cover is recommended for keeping it last several years.**
- 5. The set is manually woven by hands. The PE rattan weave of each set is different. Each model is unique.**

Let Us Help You

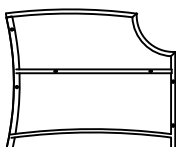
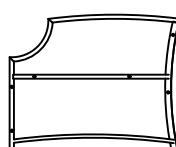

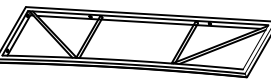
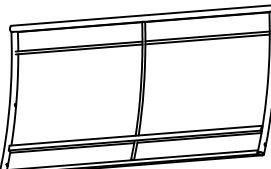
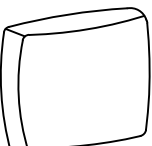
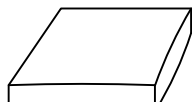
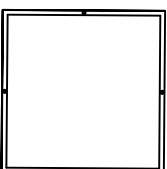

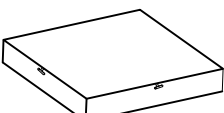






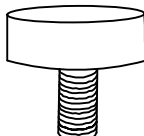


Let Us Help You

- If you have any further questions, please feel free to contact us via email at info@homrest.com or through our official website. We will respond as soon as possible.
- Before beginning installation, please ensure you have all the necessary hardware, the serial numbers are correctly labeled and correspond to the list, and that the quantities are accurate.
- Enjoy your new purchase!

Assembly Instruction

Parts list

<p>A</p>  <p>×1PC</p>	<p>B</p>  <p>×1PC</p>	<p>C2</p>  <p>×1PC</p>	<p>D2</p>  <p>×1PC</p>	<p>E2</p>  <p>×1PC</p>
<p>Q</p>  <p>×2PCS</p>	<p>R</p>  <p>×2PCS</p>	<p>U</p>  <p>×2PCS</p>	<p>Z</p>  <p>×8PCS</p>	<p>m</p>  <p>×2PCS</p>

<p>a×13PCS</p>  <p>M6x35mm</p>	<p>b×4PCS</p>  <p>M6x40mm</p>	<p>c×41PCS</p>  <p>M6x14</p>	<p>f×24PCS</p>  <p>M6x30mm</p>	<p>y×2PCS</p> 	<p>d×1PC</p>  <p>M6</p>
<p>i×8PCS</p> 					

Assembly Instruction

STEP 1

Connect the front plate to seat

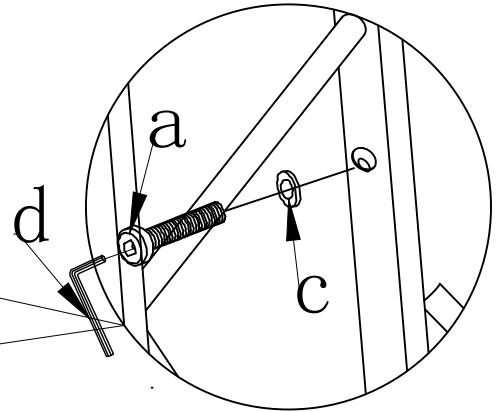
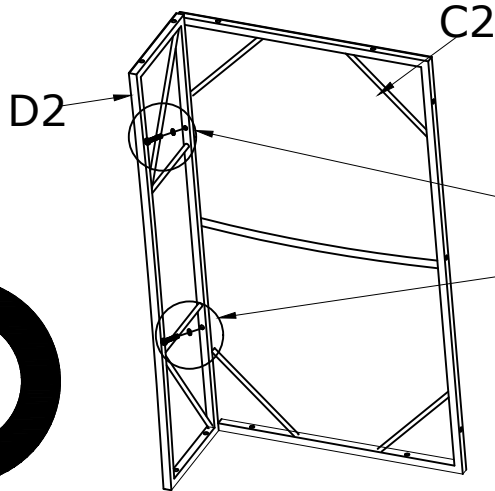
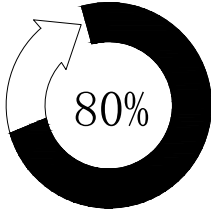
C2 ×1

D2 ×1

a ×2

c ×2

d ×1



Tighten the screws to 80% tightness

STEP 2

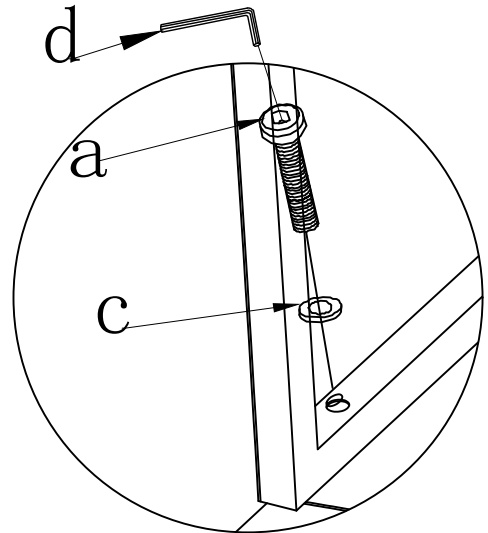
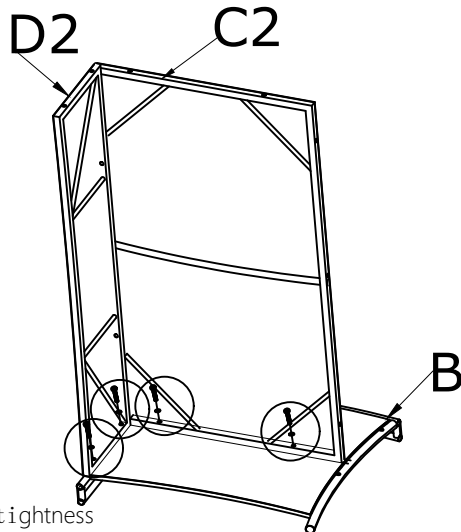
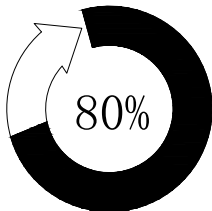
Connect right arm to seat

B ×1

a ×4

c ×4

d ×1



Tighten the screws to 80% tightness

STEP 3

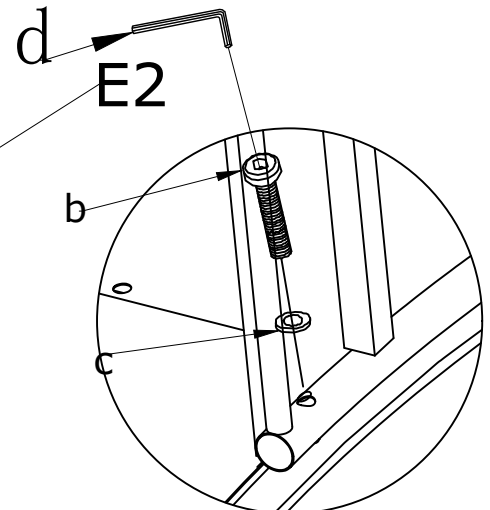
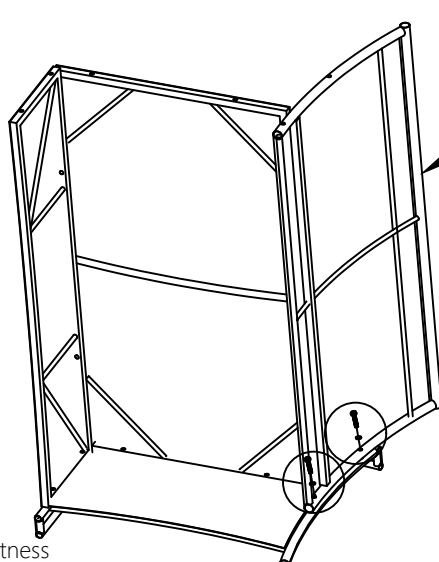
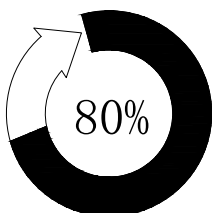
Connect backrest to arm and seat

E2 ×1

b ×2

c ×2

d ×1



Tighten the screws to 80% tightness

Assembly Instruction

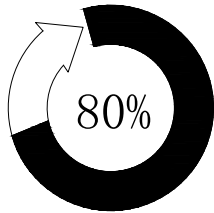
STEP 4

Fix seat and backrest

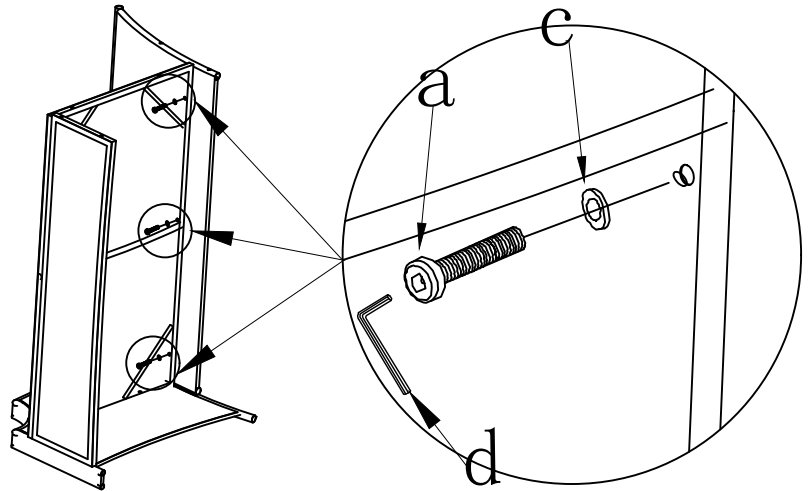
a ×3

c ×3

d ×1



Tighten the screws to 80% tightness



STEP 5

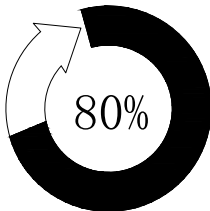
Connect left arm

A ×1

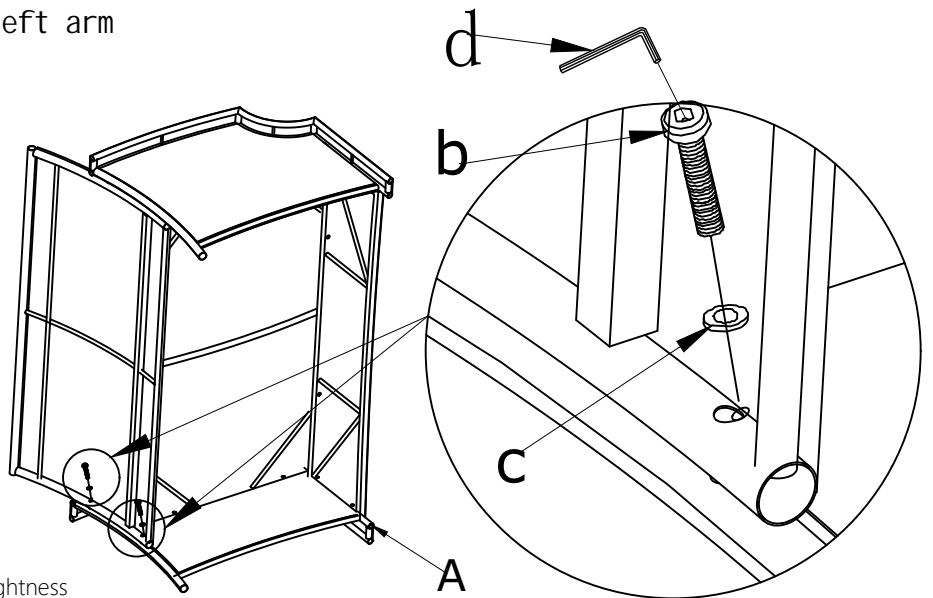
b ×2

c ×2

d ×1



Tighten the screws to 80% tightness



STEP 6

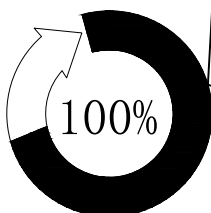
put on foot pods

a ×4

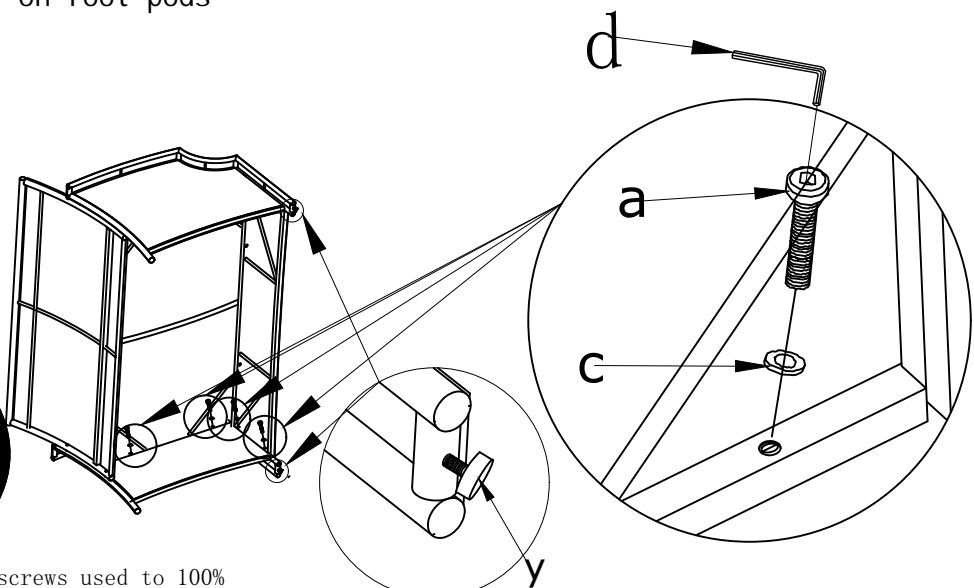
c ×4

d ×1

y ×2



Tighten all previous screws used to 100%



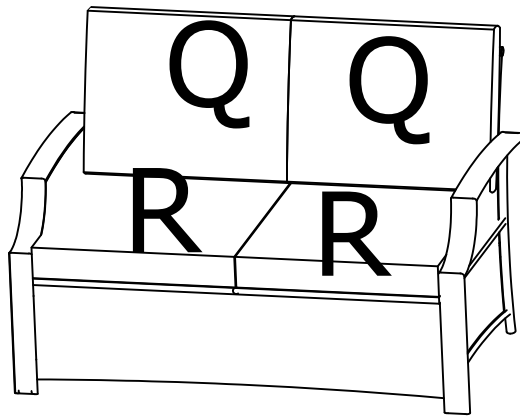
Assembly Instruction

STEP 7

Place cushion and pillow

Q ×2

R ×2



STEP 8

Connect the plate to seat

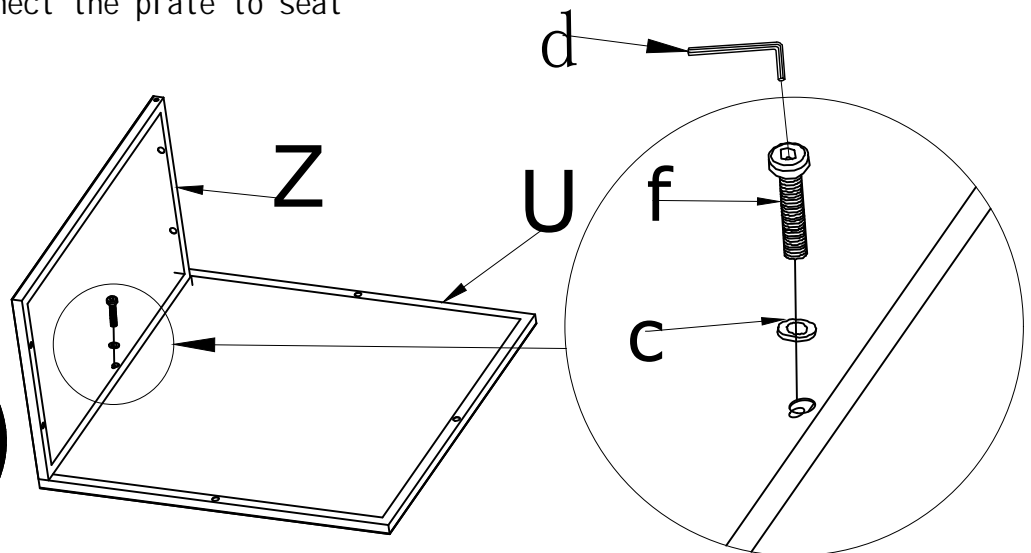
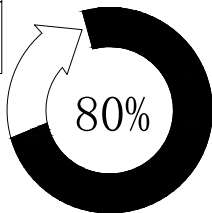
U ×1

Z ×1

f ×1

c ×1

d ×1



Tighten the screws to 80% tightness

STEP 9

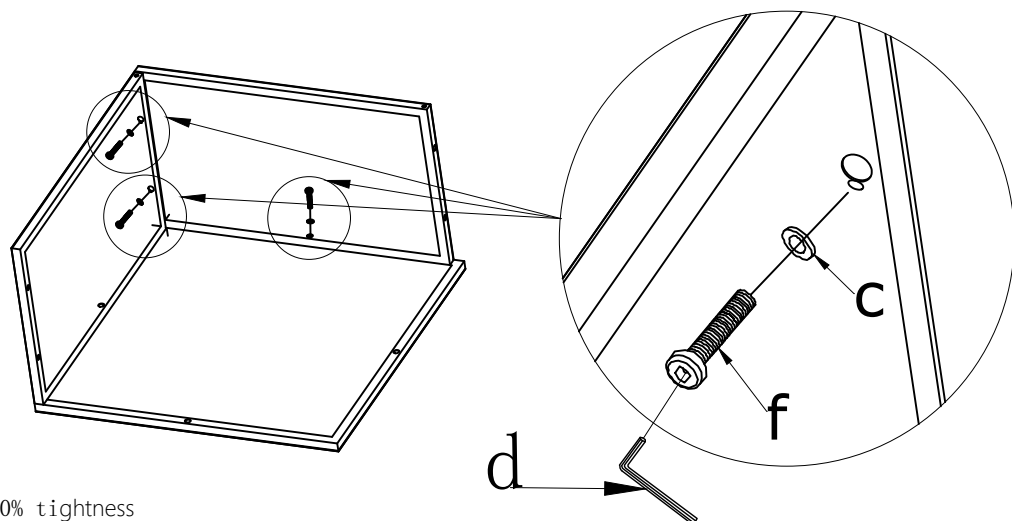
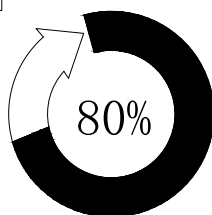
Connect the plate to the side plate

Z ×1

f ×3

c ×3

d ×1

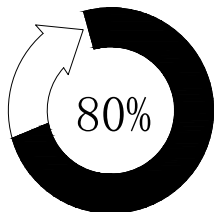


Tighten the screws to 80% tightness

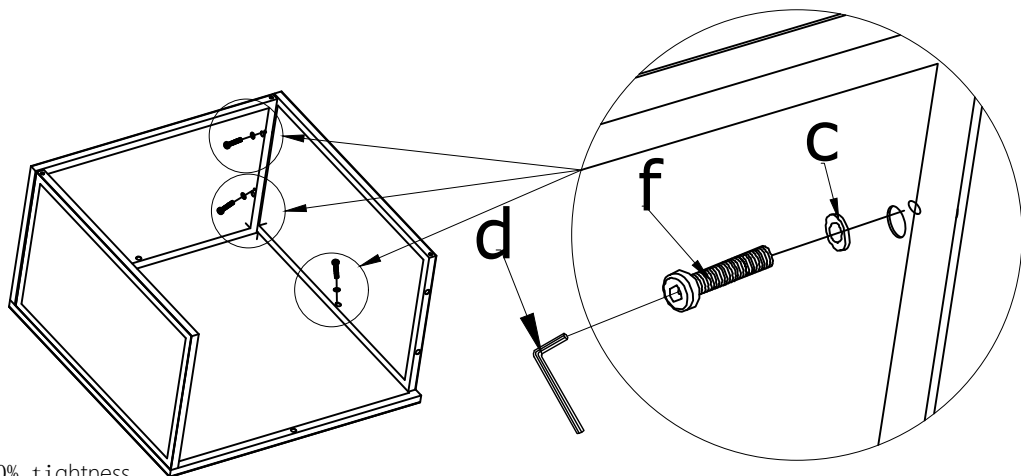
Assembly Instruction

STEP 10 Connect the plate to the other side plate

- Z ×1
- f ×3
- c ×3
- d ×1

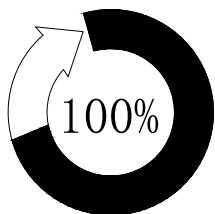


Tighten the screws to 80% tightness

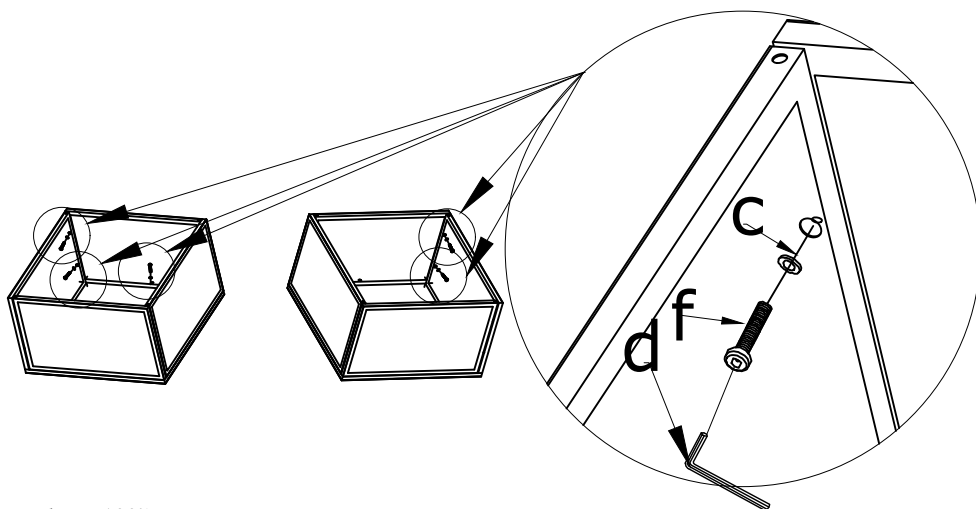


STEP 11 Connect plate

- Z ×1
- f ×5
- c ×5
- d ×1



Tighten all previous screws used to 100%



STEP 12

- i ×4
- m ×1

put on foot pods

Place cushion and pillow

