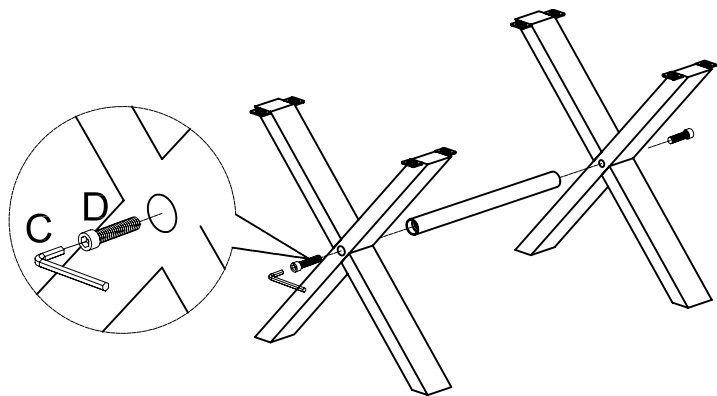
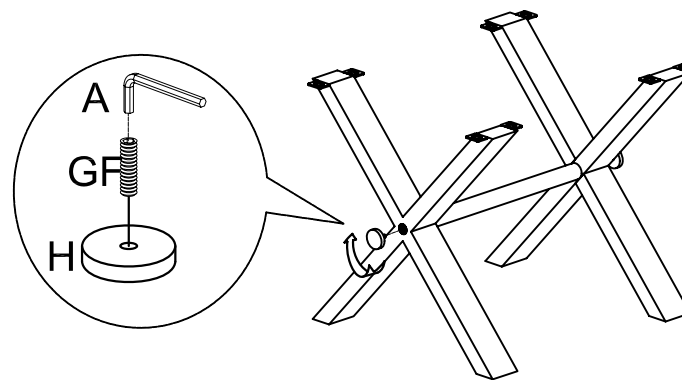


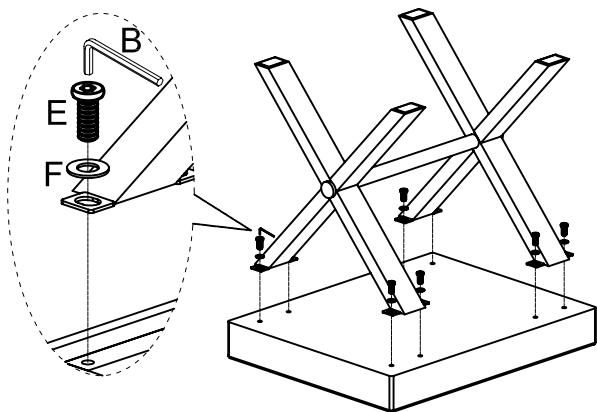
Step 1



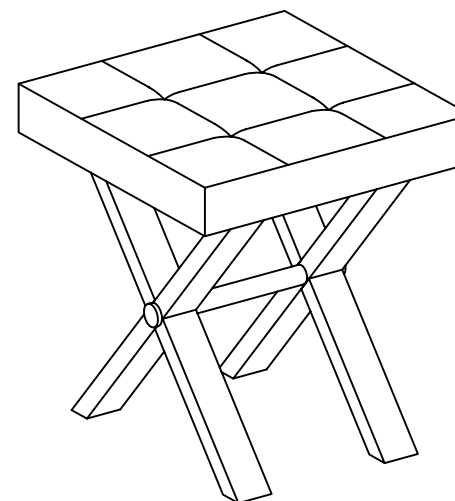
Step 2









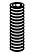

Step 3



Finish



**BENCH**

A	B	C	D	E	F	G	H
							
3MM	5MM	8MM	M10x55	M8x20	Ø8	M6x25	Ø30x6
1PC	1PC	1PC	2PCS	8PCS	8PCS	2PCS	2PCS