

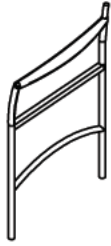
mm  
inch

x2

Mx1



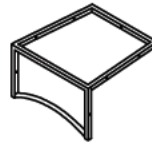
Nx1



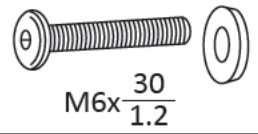
lx1



Kx1



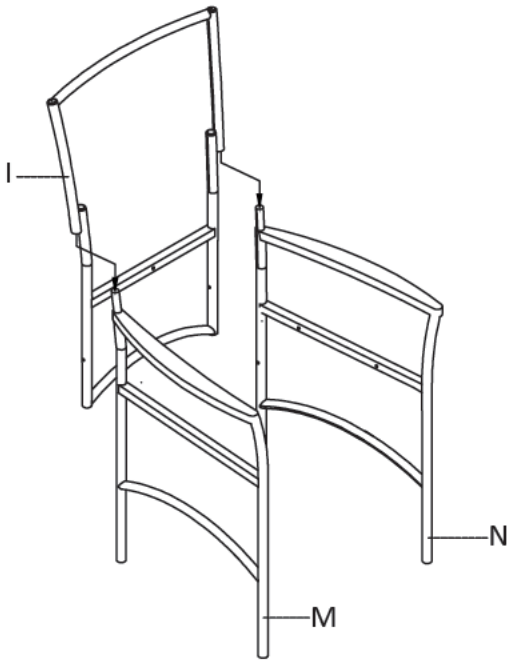
① x9



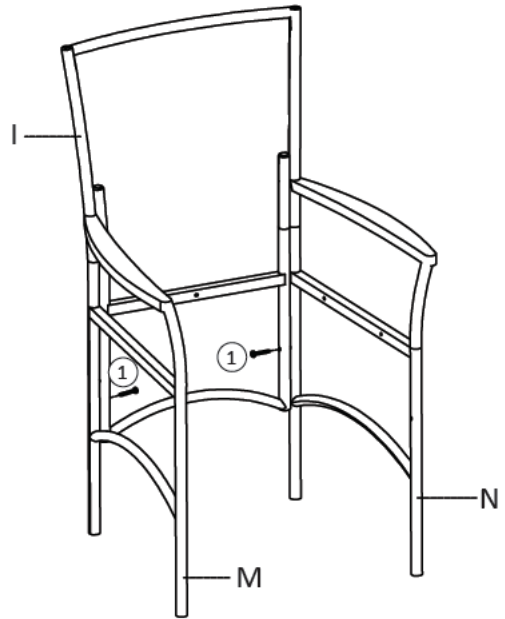
② x1



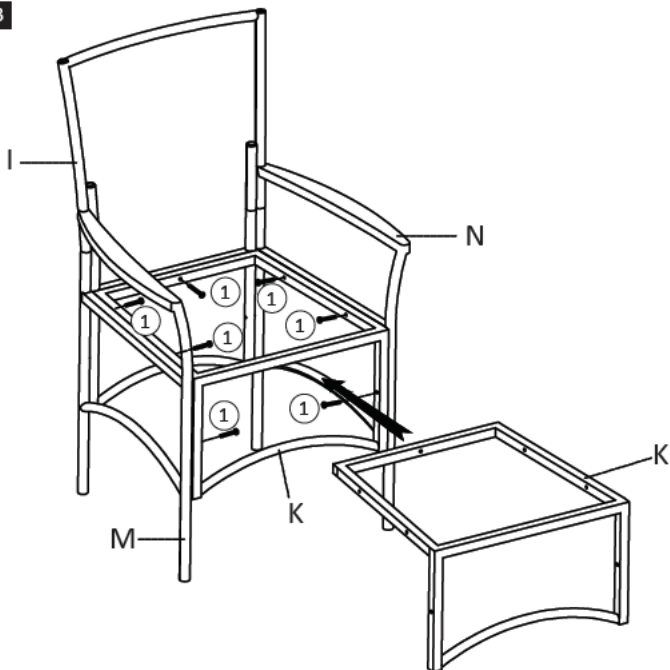
1



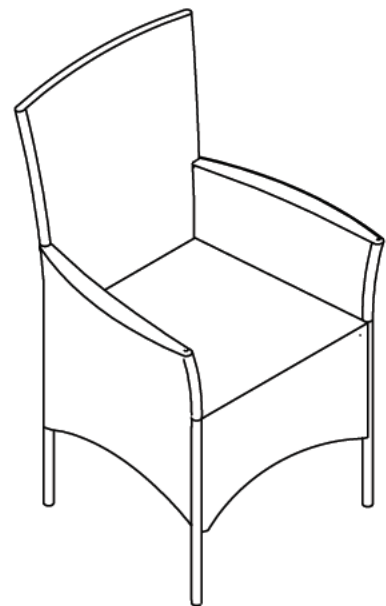
2

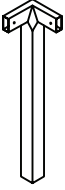
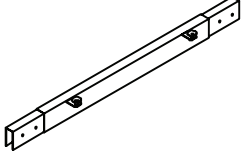
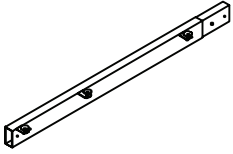
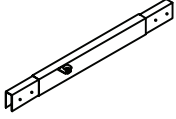
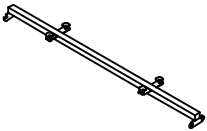
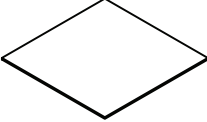
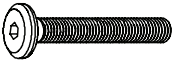


3



4



<p>Ax4</p> 	<p>Bx2</p> 	<p>Cx2</p> 	<p>Dx2</p> 
<p>Ex1</p> 	<p>Fx2</p> 	<p>① x24</p>  <p>M6x <math>\frac{20}{0.8}</math></p>	<p>② x2</p> 