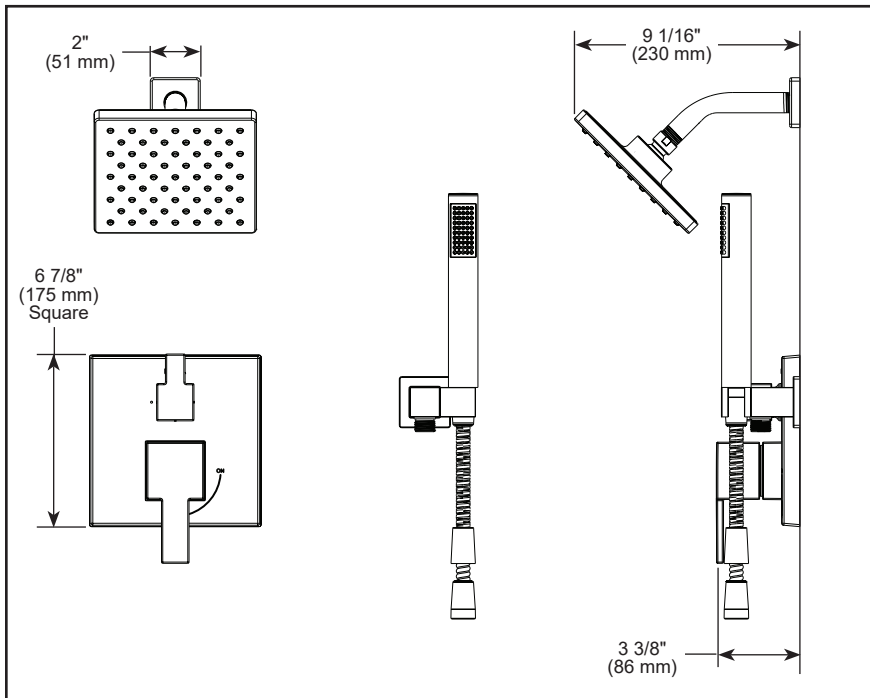
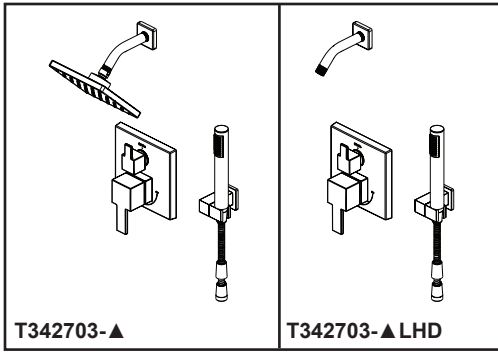




see what Delta can do™

SHOWER FAUCET TRIM

■ Shower Trim with Two Function Diverter

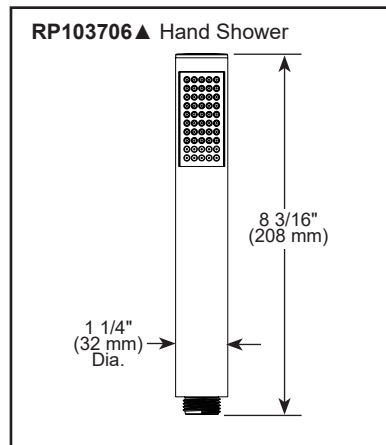
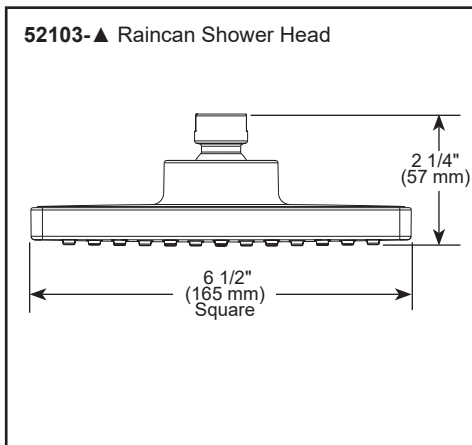


STANDARD SPECIFICATIONS

- Monitor® 14 Series pressure balanced single function bath mixing valve trim
- Two function diverter
- Main control utilizes single-function pressure balanced cartridge
- Maintains a balanced pressure of hot and cold water even when a valve is turned on or off elsewhere in the system
- For use with MultiChoice® Universal rough valve body (R22000 Series)
- Back-to-back installation capability
- Field adjustable means to limit handle rotation into hot water zone
- Top handle controls diverter functions; bottom handle controls on/off and temperature
- Bottom handle 120° maximum rotation
- All parts replaceable from the front of the valve
- Max flow rate of shower head and hand shower 1.75 gpm @ 80 psi, 6.6 L/min @ 552 kPa
- Cartridges included

WARRANTY

- Parts and Finish - Lifetime limited warranty; or for commercial purchasers, 10 years for multi-family residential (apartments and condominiums) and 5 years for all other commercial uses, in each case from the date the product is received by the original purchaser or their authorized representative (installation contractor, etc.).
- Please go to www.deltafaucet.com for the complete details of our limited warranty.



▲ Designate Proper Finish Suffix



COMPLIES WITH:

- ASME A112.18.1 / CSA B125.1
- ASSE 1016 / ASME A112.1016 / CSA B125.16
- EPA WaterSense®
- ♿ ICC/ANSI A117.1 – Valve control only