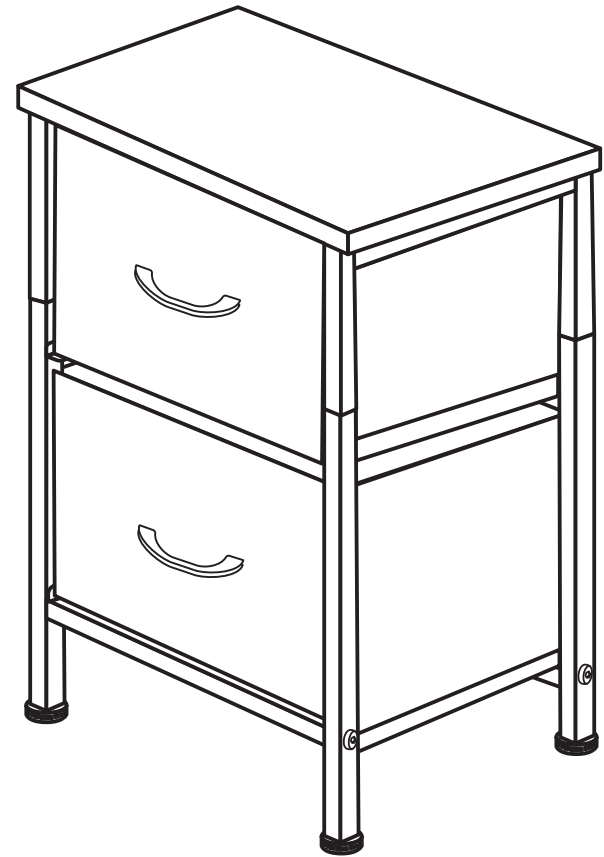


sorbus[®]
Make Yourself at Home

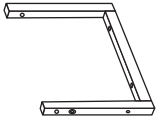
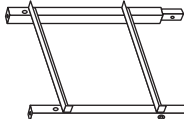
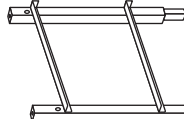
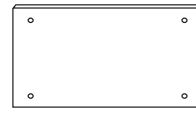
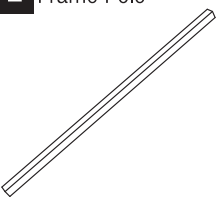
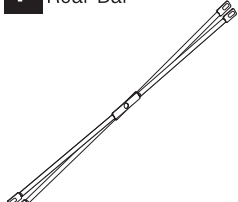
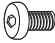
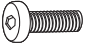
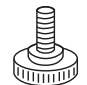
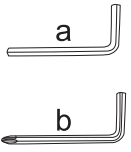
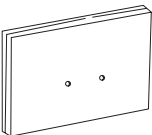
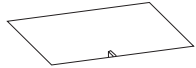


sorbus[®]
Make Yourself at Home



2 Drawer Storage *Assembly Instructions*

Thank you for your purchase. Please reference assembly instructions before use. Make sure all parts are present and place them side by side for easy identification.

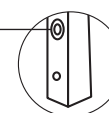
Product Parts

A Top Frame  2PCS	B Bottom Left Frame  1PC	C Bottom Right Frame  1PC	D Drawer Top  1PC
E Frame Pole  2PCS	F Rear Bar  1PC	G Short Screw  8PCS	H Long Screw  8PCS
I Frame Screw  4PCS	J Hex Key a b  1PC	K Drawer  2PCS	L Drawer Insert  2PCS
M Handle  2PCS	N Handle Screw  4PCS		

Step 1

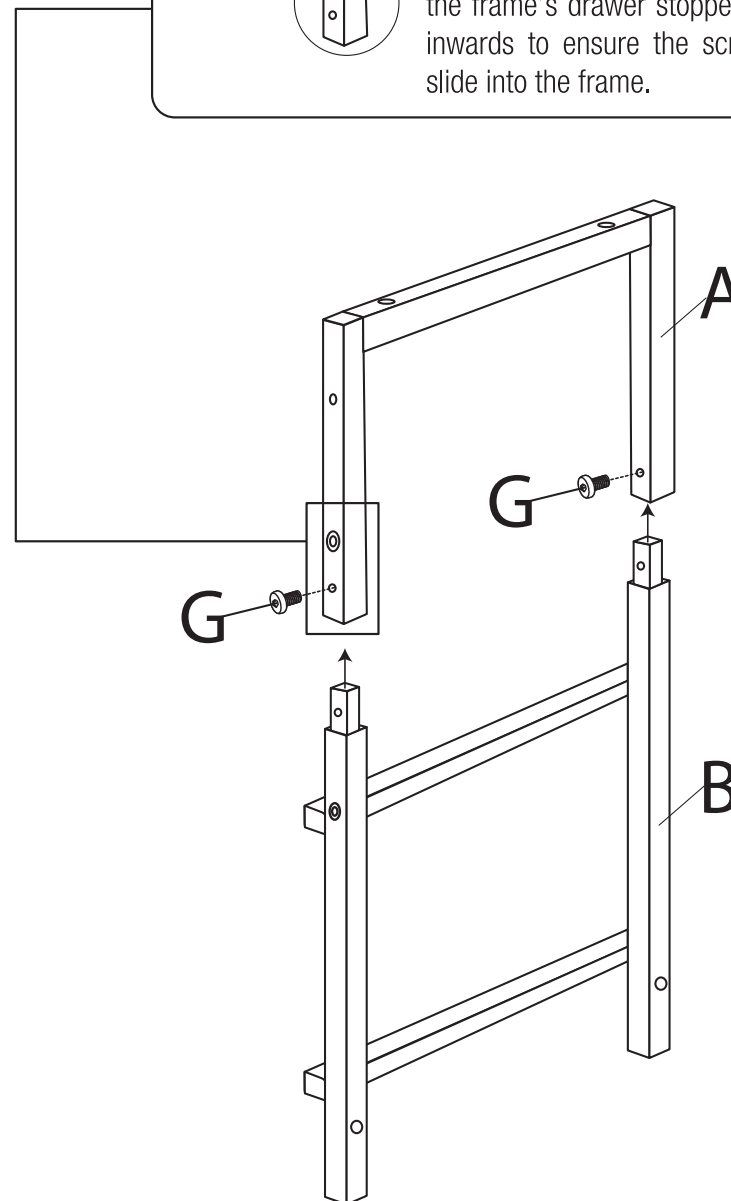
Please note:

rear bar anchor



*For this step make sure the frames are facing the correct direction with the frame's drawer stoppers facing inwards to ensure the screws will slide into the frame.

 Gx2
 Jax1

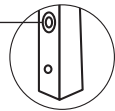


Step 1: Connect top frame (A)* to bottom left frame (B) as shown. Secure with short screw (G) and tighten with hex key (Ja).

Step 2

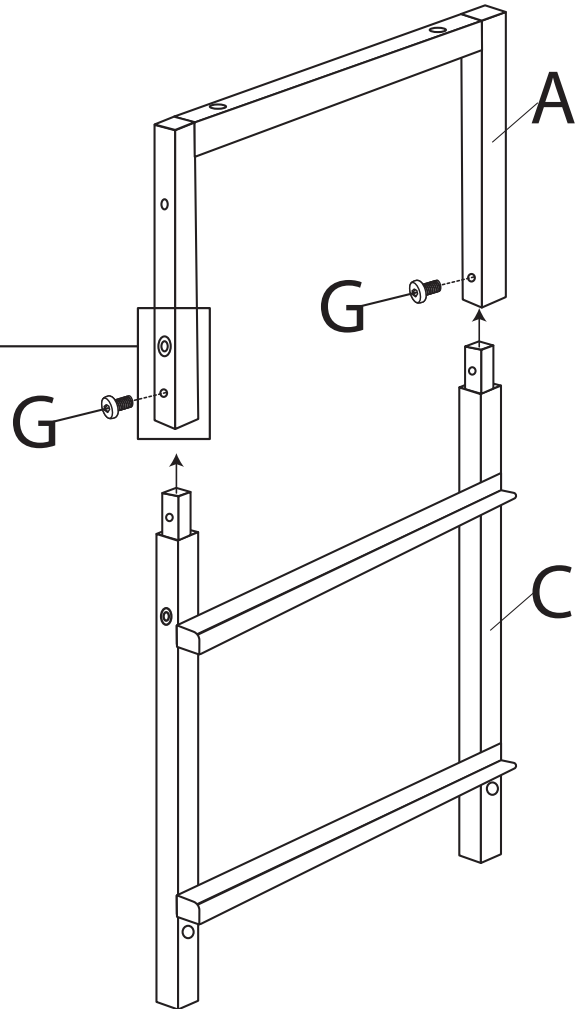
Please note:

rear bar anchor



*For this step make sure the frames are facing the correct direction with the frame's drawer stoppers facing inwards to ensure the screws will slide into the frame.

Gx2
Jax1

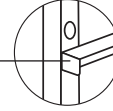


Step 2: Connect top frame (A)* to bottom right frame (C) as shown. Secure with short screw (G) and tighten with hex key (Ja).

Step 3

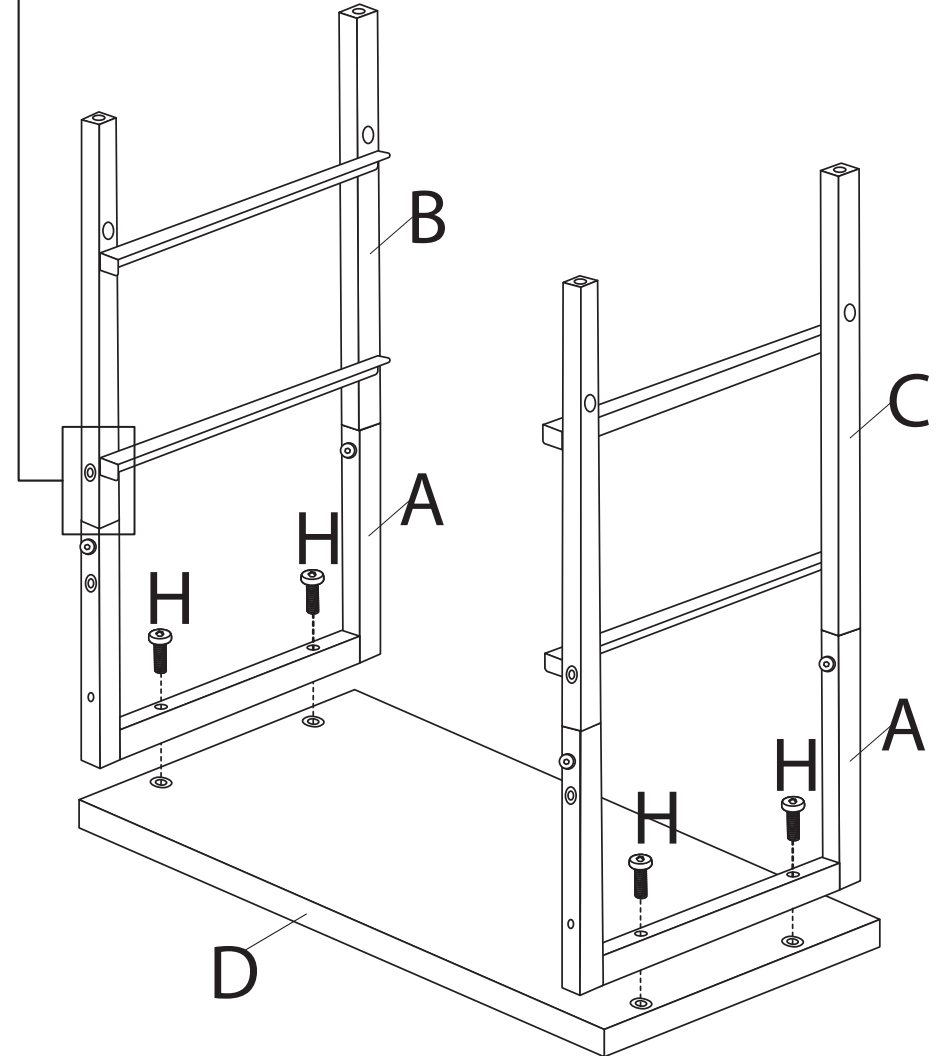
Please note:

drawer stopper



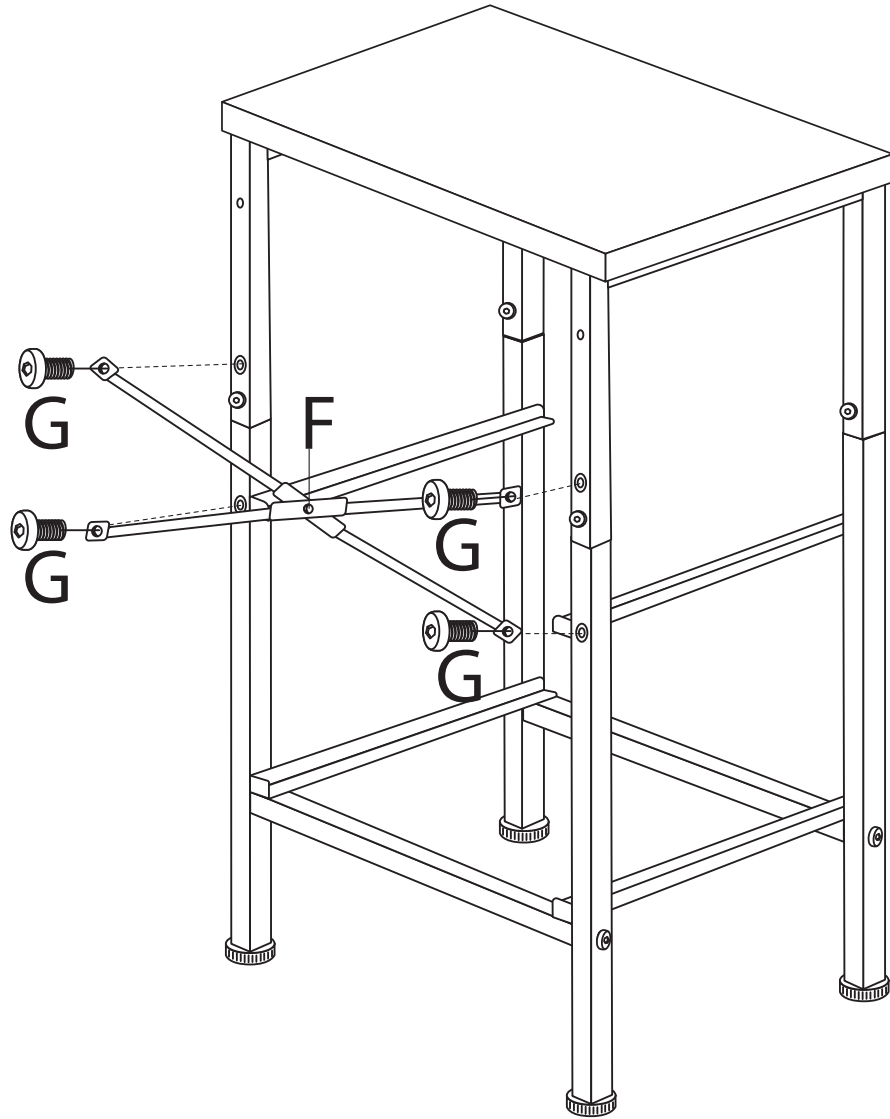
*For this step make sure the frames are facing the correct direction with the frame's drawer stoppers facing inwards to ensure the drawers will slide into the frame.

Hx4
Jax1



Step 3: Place assembled frames (A,B,C) over drawer top (D) as shown and secure with long screws (H) and hex key (Ja).

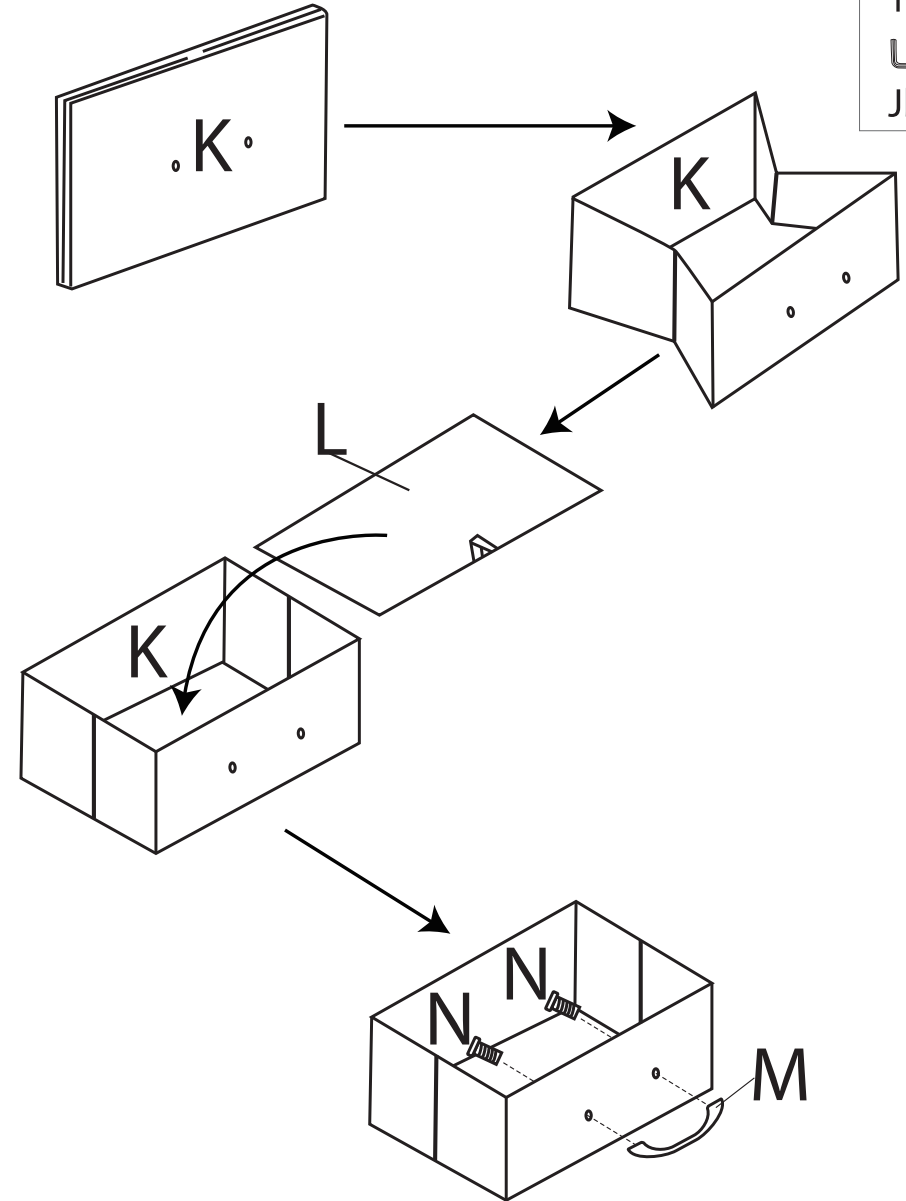
Step
6



Gx4
Jax1

Step 6: Unfold rear bar (F) then place over assembled frame. Secure with short screws (G) using the hex key (Ja).

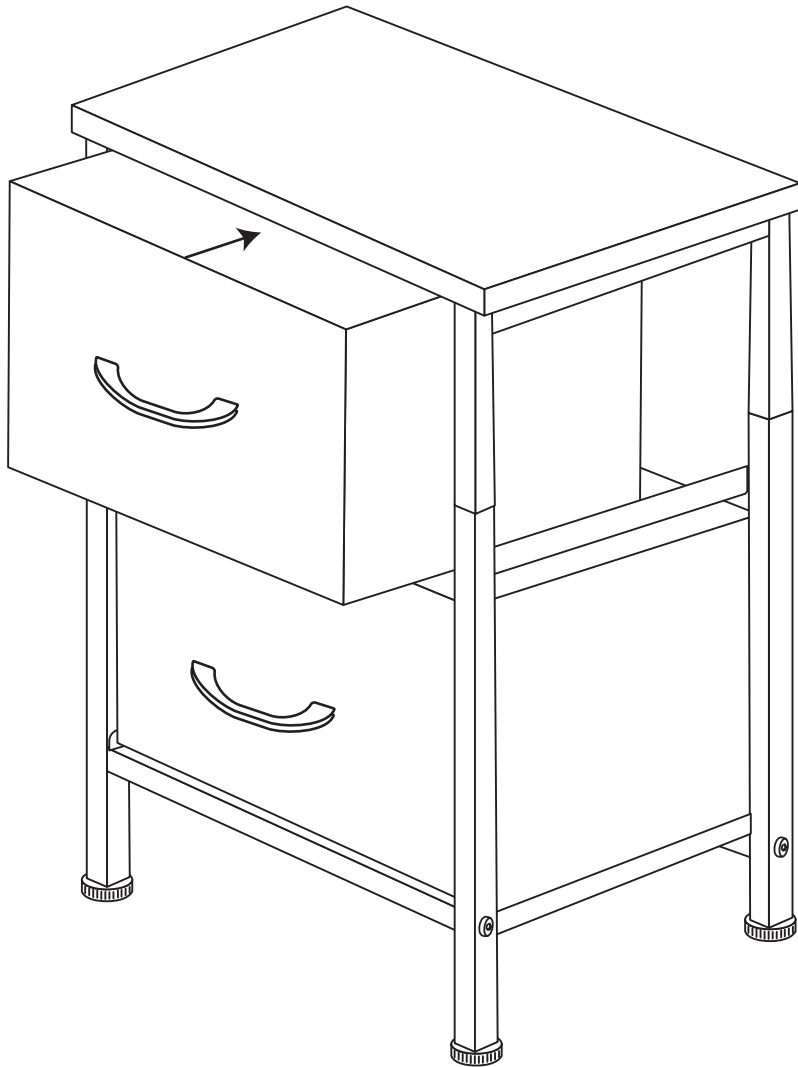
Step
7



Mx2
Nx4
Jbx1

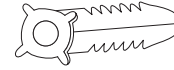
Step 7: Unfold drawers (K), place drawer insert (L) inside. Secure handle (M) and handle screws (N) to the drawers (K) using hex key (Jb).

Step
8



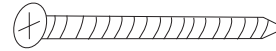
Step 8: Insert drawers within assembled storage dresser.

A Wall Anchor



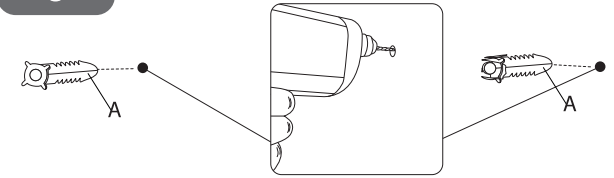
2PCS

B Wall Mount Screw



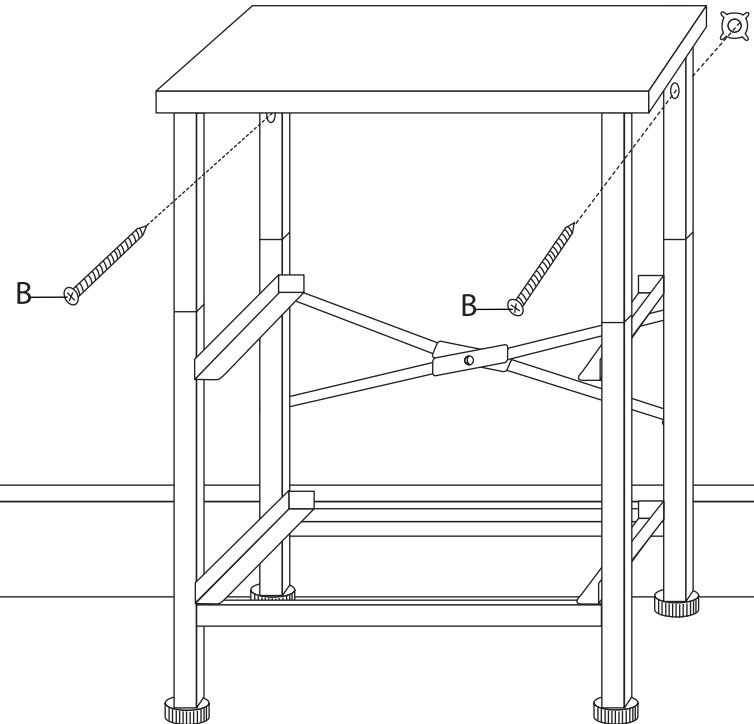
2PCS

Step
9



Step 9: Drill a hole into the wall using a 6mm bit and gently insert the wall anchor (A) with the help of a hammer.

Step
10



Step 10: Place the shelf against the wall, and insert the wall mount screws (B). After making sure everything is screwed in tightly, you can start to use the assembled piece. Enjoy!