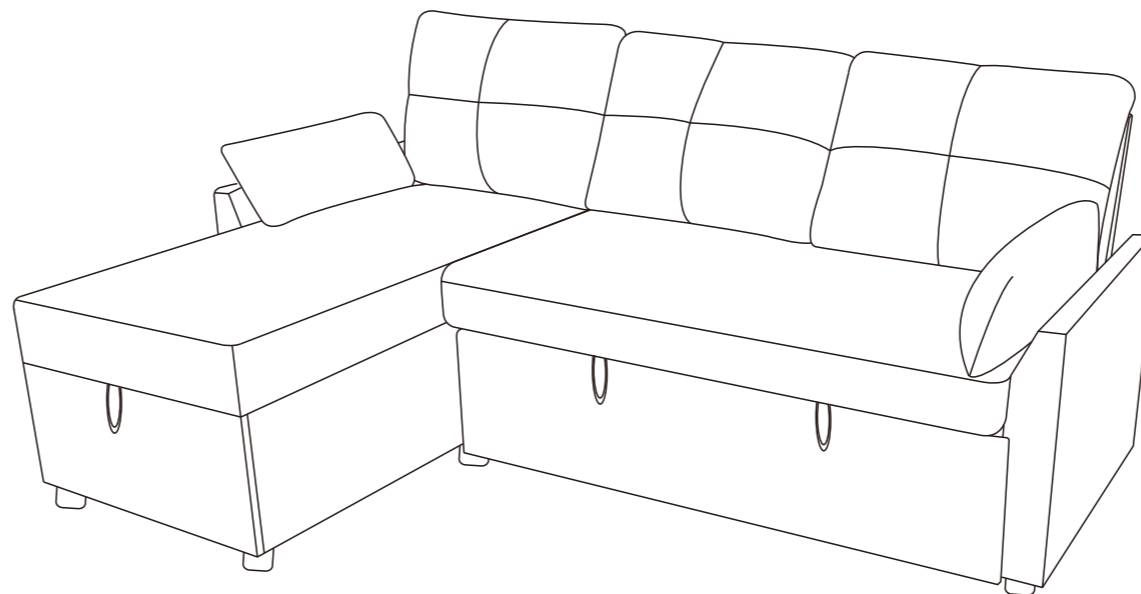


Sofa

Assembly Instruction - Please keep properly for future reference.

If you find any missing boxes, damaged parts, or accessory shortages, please contact the customer service team of your purchasing channel immediately. We will resolve the issue as quickly as possible.



THE FOLLOWING INFORMATION:

- Order number
- Purchase platform
- Purchase date
- Detailed description of the issue along with photos (if applicable)

Important – Please read these instructions carefully before starting the installation.

Before Assembly



Thank you for choosing our product!

To ensure a smooth installation process, please read this guide carefully to familiarize yourself with the required tools, materials, and installation steps.

Follow the relevant sections to avoid any damage caused by improper installation, and make sure to review all operation and safety guidelines for correct installation procedures.

Packaging Notice:

1. Multi-Box Shipping Notice

This product is packaged in 2 separate boxes for shipping and may arrive in batches at different times. To ensure a smooth assembly process, please make sure all boxes are received before unpacking and starting the installation.

2. Box and Packaging Verification

Each box is labeled with a corresponding number. Please refer to the packing list on the next page of this manual to verify that all boxes have been received.

If you find any missing boxes, damaged parts, or accessory shortages, please contact the customer service team of your purchasing channel immediately. We will resolve the issue as quickly as possible.

Installation Information

- All information in this guide is based on the product's condition at the time of printing. We reserve the right to modify product features, packaging, or availability without prior notice.
- Before installing the furniture, ensure that all necessary electrical or environmental preparations are completed.
- This manual contains important instructions on installation, cleaning, and maintenance. Please read it thoroughly and keep it for future reference.

Pre-Installation Checklist

1. Carefully inspect the new product for any damage or defects.
2. Ensure installation is carried out on a clean, flat surface to maintain balance and stability.

3. Avoid prolonged exposure of the product to damp environments or direct sunlight.
4. Handle with care during installation. Use protective materials (e.g., soft pads) to prevent scratches.
5. For any questions or technical support, refer to the customer service guide and contact the seller's customer service.

Usage and Maintenance Recommendations

1. Clean furniture regularly to maintain hygiene and prevent bacteria growth. Use a damp cloth that has been wrung out to avoid scratching the finish.
2. Avoid contact with acidic or alkaline corrosive liquids.
3. Do not use unauthorized replacement parts. For replacement parts, contact the manufacturer or distributor.
4. Do not machine wash or rinse any part of this product with water.



Safety Warnings

1. Warning Labels:

Do not remove warning labels on the product or packaging, and always follow the related instructions.

2. Regular Inspections:

Regularly check all parts of the product to ensure they are correctly installed, undamaged, and all connectors are securely tightened.

3. Safe Use:

Do not play on or under the sofa, and strictly avoid jumping or any actions that may harm the sofa or users.

4. Rope Hazard:

Do not attach ropes, hooks, straps, or other unintended items to any part of the product.

5. Guide Preservation:

Retain this manual for future reference.

6. Supervisory Responsibility:

Safety is a shared responsibility between the manufacturer and the user. Always adhere to safety guidelines when using the product.

Disclaimer

We are committed to providing safe and reliable products. If you have any questions about this product or require additional support, please contact our customer service team. We are here to assist you.

Customer Service Guide



Thank you for choosing our product! We are committed to providing you with excellent service. If you find any missing parts, damaged packaging, or product damage after receiving all packages, please follow the steps below to quickly contact our customer service team. We will do our best to resolve your issue.

1. Missing Parts

Verify Parts:

1. Refer to the “Parts List” in the manual to verify the name, specifications, and quantity of the missing parts.
2. Take a clear photo of the parts list and mark the missing parts with detailed information, e.g., “Missing 5 pieces of M6×30mm screws.”

Contact Us:

- A description of the missing parts and a photo of the parts list.
- Order details (order number, purchase platform, purchase date).

2. Product or Packaging Damage

If it affects normal use:**Steps:**

1. Take clear photos or videos showing the damaged parts and the extent of the damage (multi-angle shots are recommended).

2. Email the photos/videos along with order details with the subject line “Product Damage Issue.”

Resolution:

After verification, we will arrange for a replacement part, product exchange, or refund as quickly as possible.

If it does not affect normal use:**Steps:**

1. Contact our customer service team.
2. Provide a description of the damage and include relevant photos or videos.

Resolution:

We will provide repair guidance or an appropriate compensation plan based on the specific situation.

Helpful Tips

To process your issue efficiently, please prepare the following information:

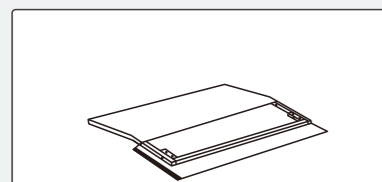
- Order details (order number, purchase platform, purchase date).
- Clear photos or videos.
- We are committed to providing quick and professional solutions, no matter the size of the issue, to ensure your satisfaction.

**Thank you for your trust and support!
We hope you enjoy using our product!**

Parts List



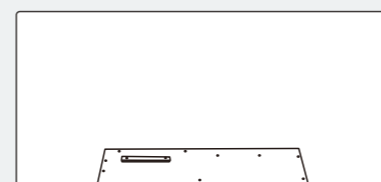
Box 1



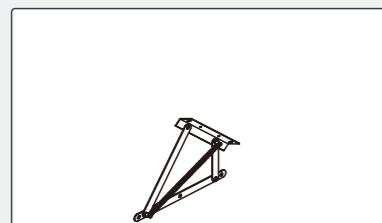
01 x1



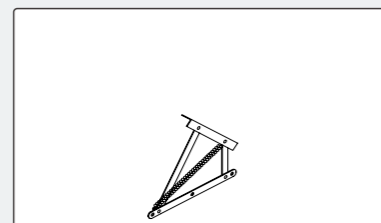
03 x1



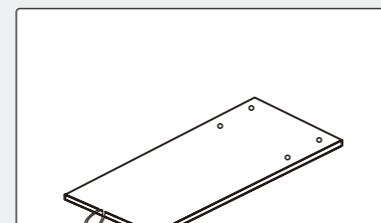
04 x1



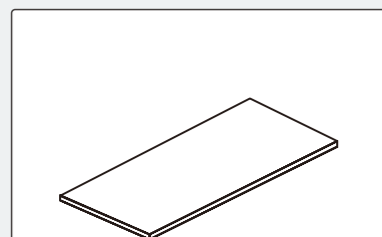
05 x1



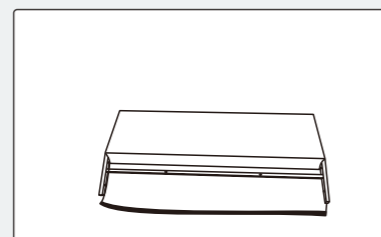
06 x1



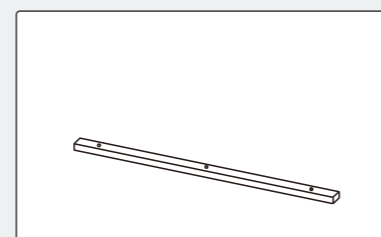
17 x1



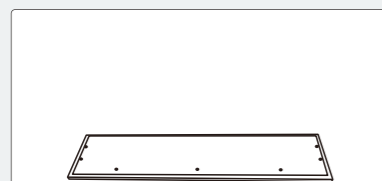
18 x1



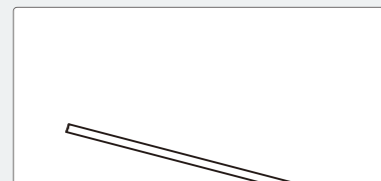
19 x1



20 x1



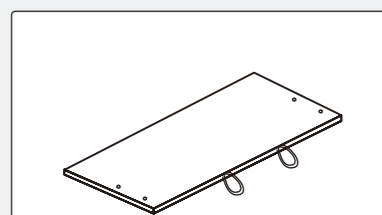
21 x1



25 x1

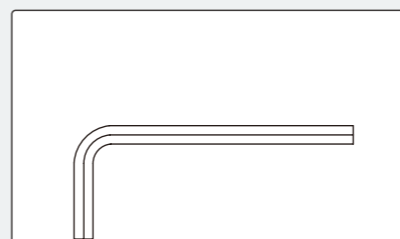


26 x1

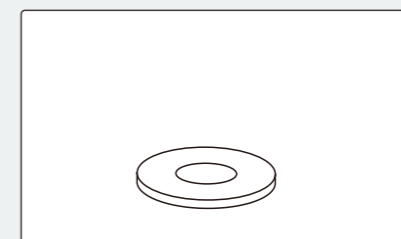


29 x1

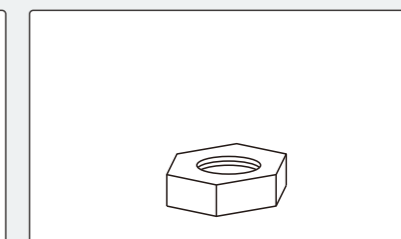
Hardware List (in Box 1)



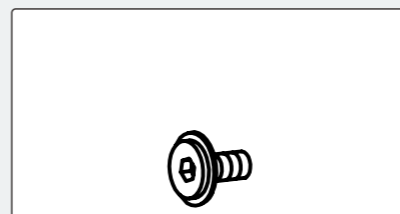
A M6 x1



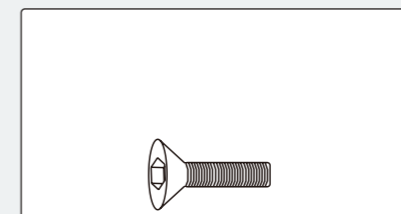
B M6x18mmx27



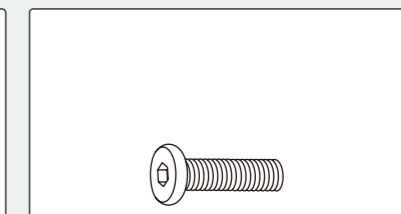
C M6 x2



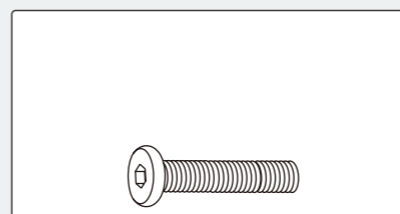
D M6x18mm x28



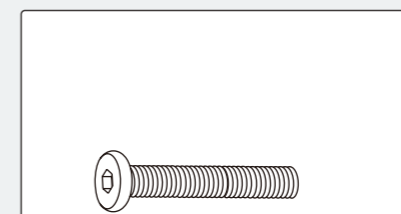
E M6x25mm x4



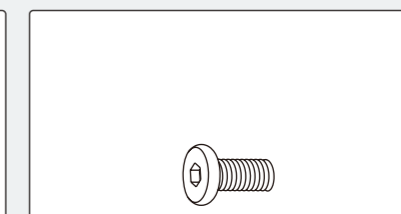
F M6x40mm x22



G M6x60mm x2

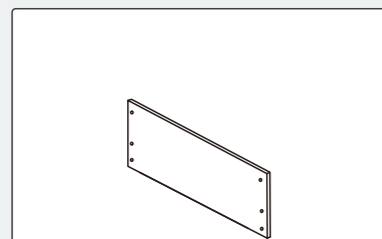


H M6x80mm x1

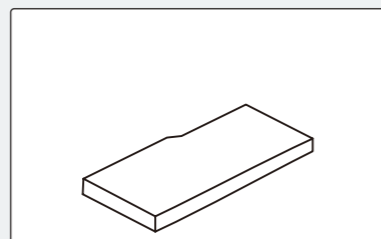


J M6x18mm x4

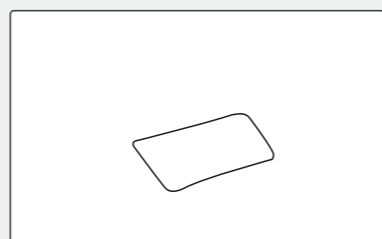
Box 2



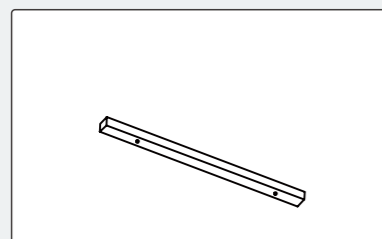
02 x1



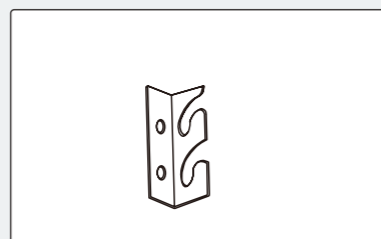
07 x1



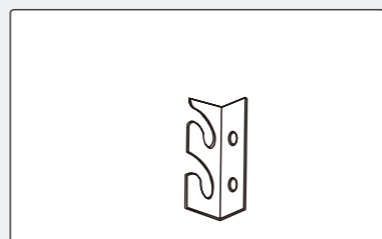
08 x2



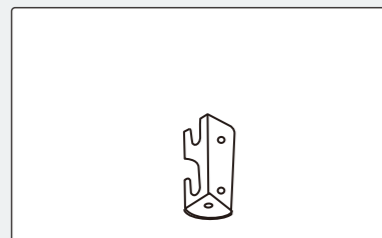
09 x2



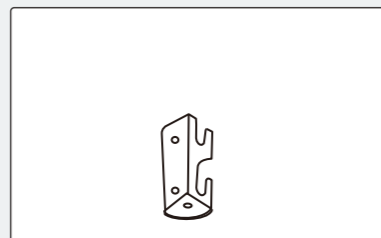
10 x1



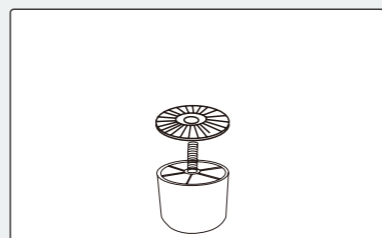
11 x1



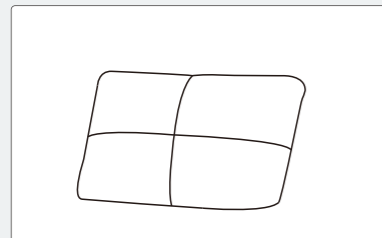
12 x1



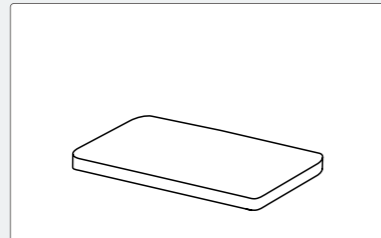
13 x1



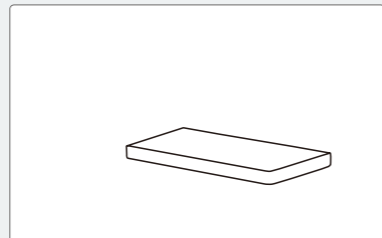
14 x6



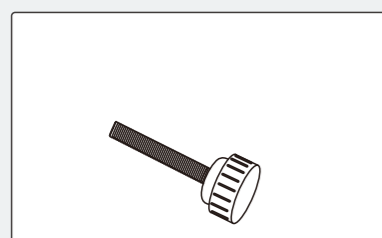
15 x3



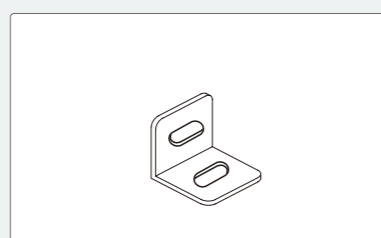
16 x1



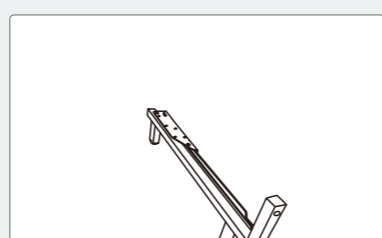
22 x1



23 x2

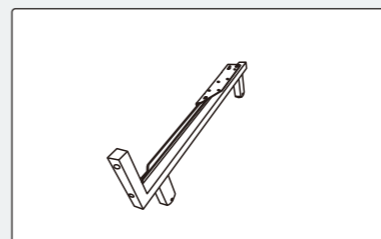


24 x2

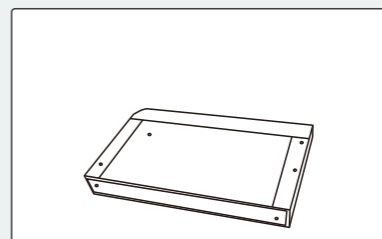


27 x1

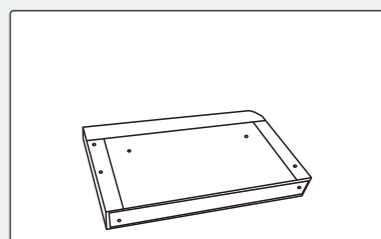
Box 2



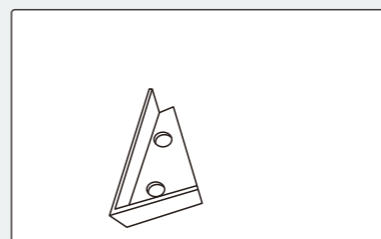
28 x1



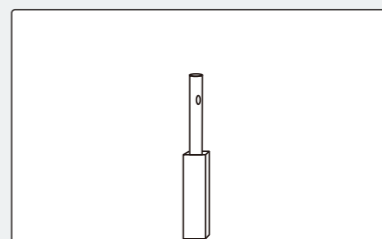
30 x1



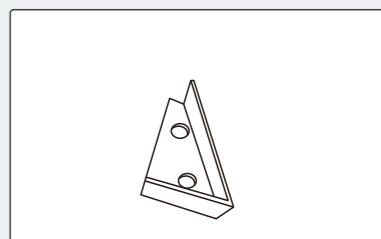
31 x1



32 x1



33 x1

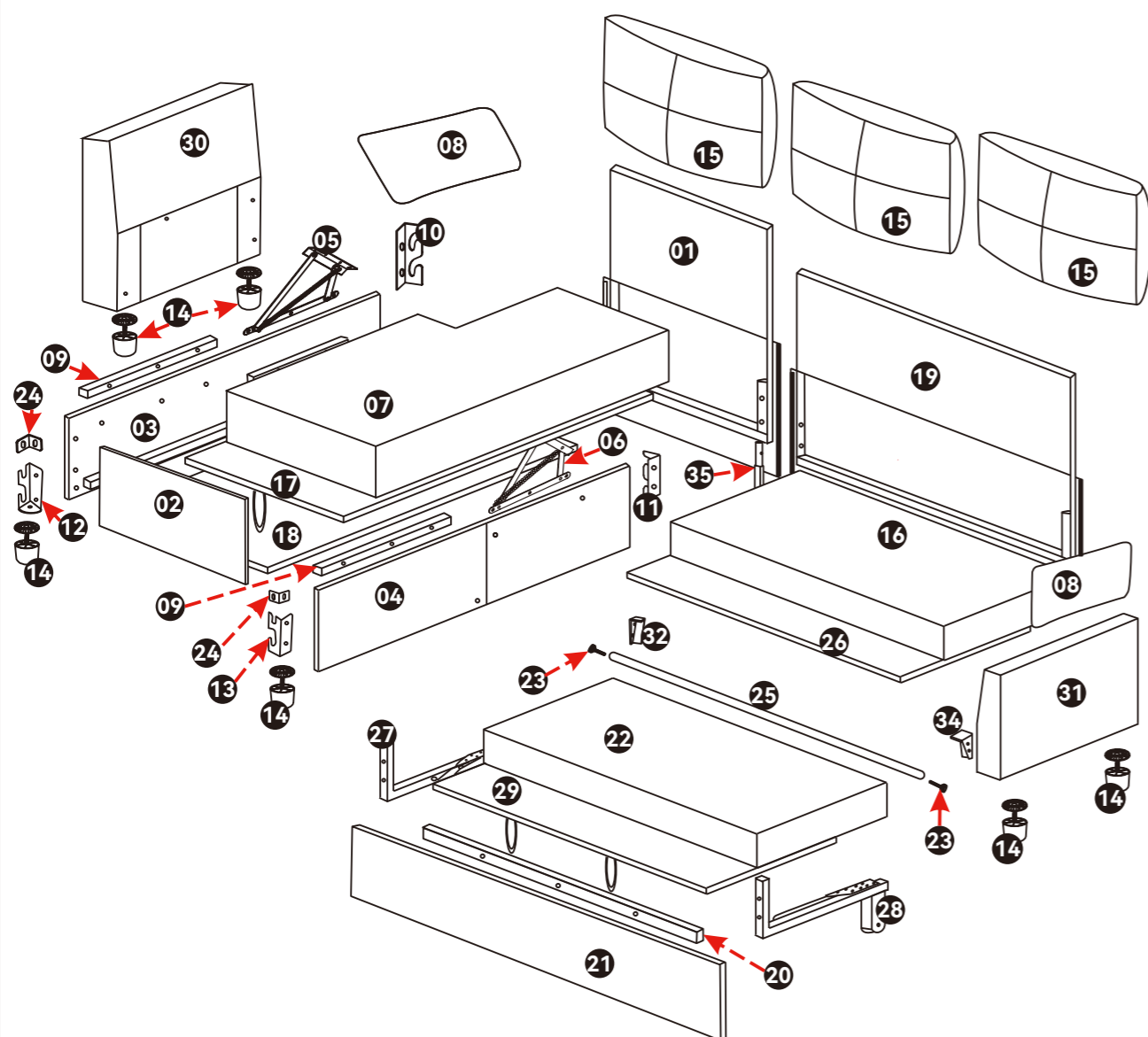


34 x1



35 x1

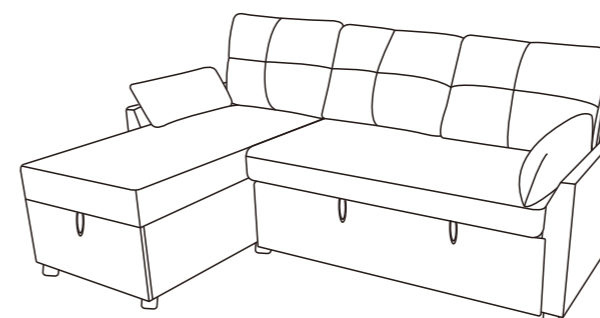
Exploded View



Assembly Instructions



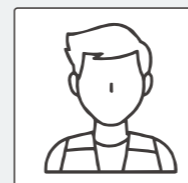
! **Important** : Please read these instructions fully before starting assembly.



! **Note** :

Delivered with **TWO PACKAGES** with **TWO TRACKINGS**, may **NOT** be delivered at the same time.

Before starting assembly, determine where the sofa will be placed and the orientation you want it to be.



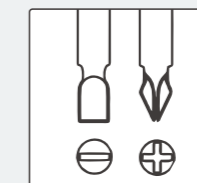
2 people needed



Work gloves



Tape measure



Other Tools Required
Phillips Screwdriver
(Not Included)

Simple Assembly Steps

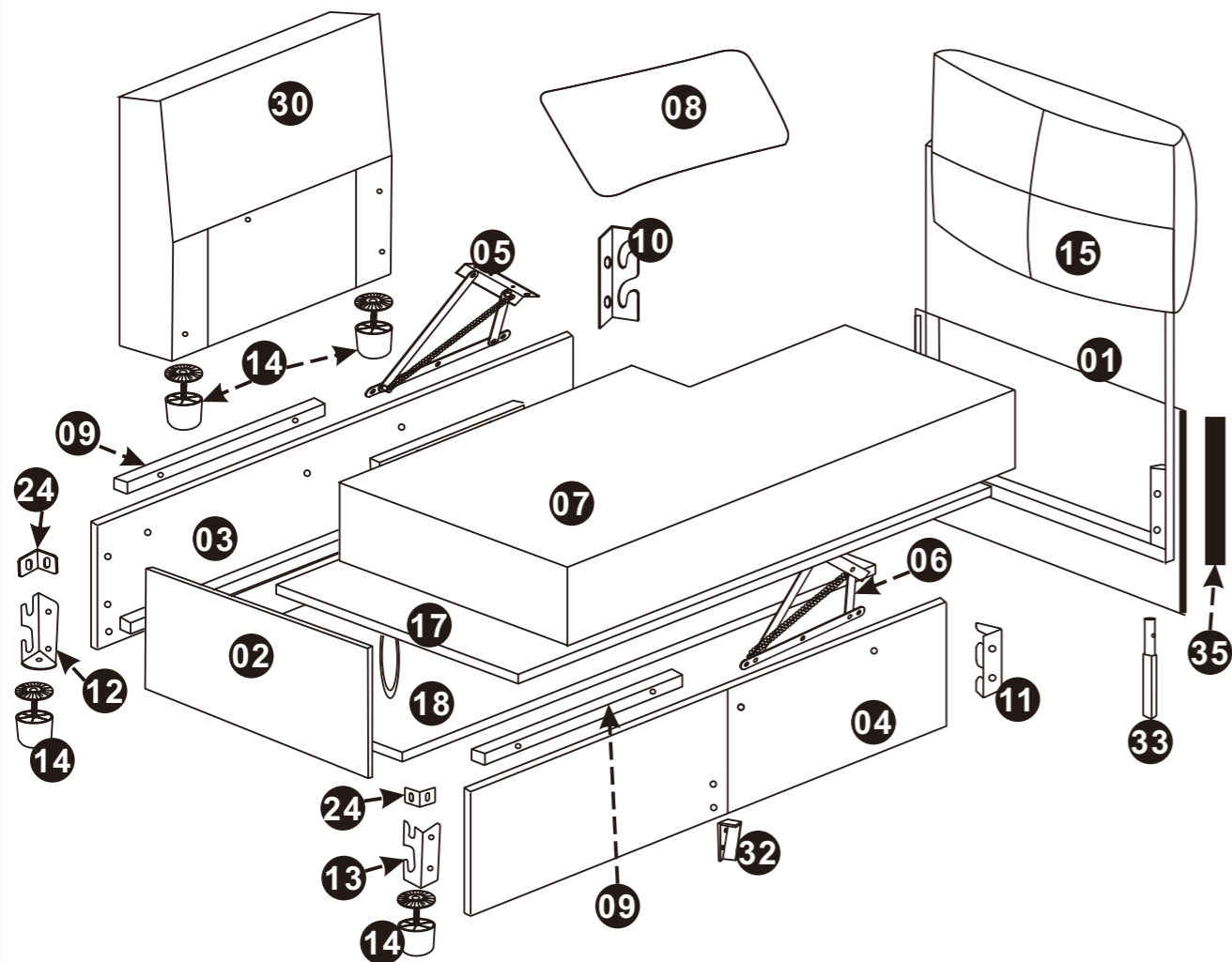
1. Read the manual carefully.
2. Check all parts and hardware.
3. Prepare necessary tools.
4. Have at least two adults for assembly.

Please follow the instructions and use a sanitary napkin to protect the product during your assembly process.

Note:

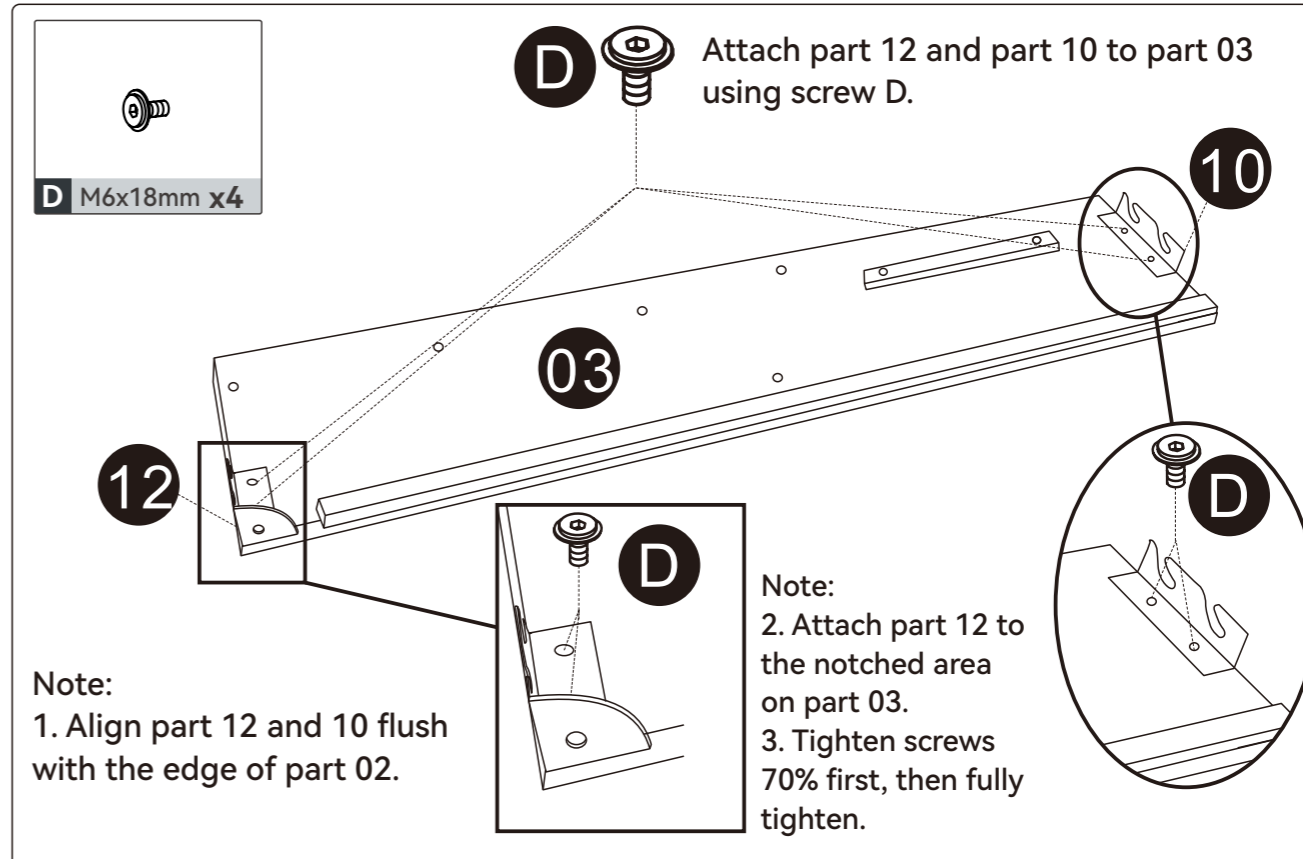
1. The assembly should be done on a flat surface to maintain balance.
 2. Do not tighten the screws before the assembly is complete.
- To make the assembly process easier and better, two or more adults are needed.

Chaise - Exploded View

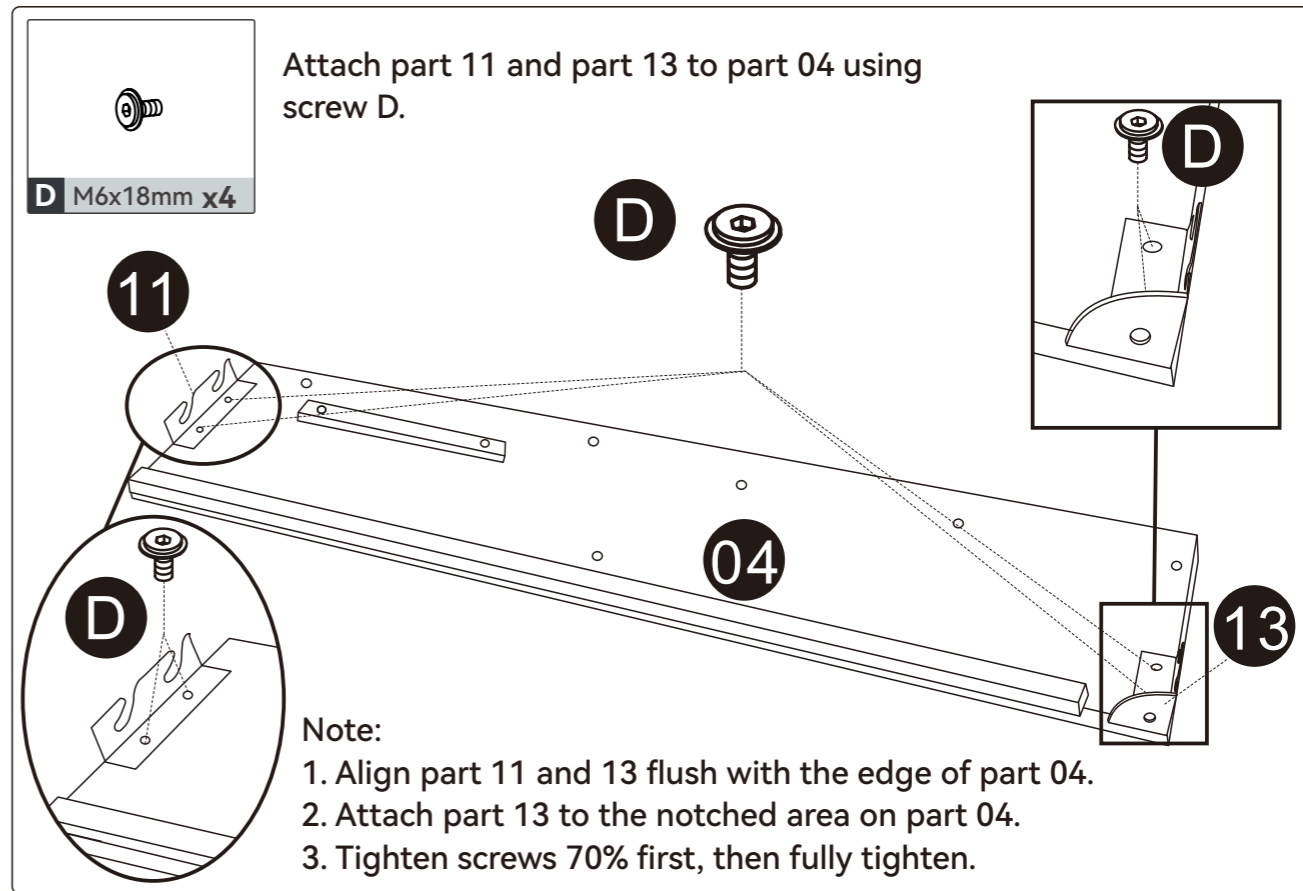


01 x1	02 x1	03 x1	04 x1	05 x1	06 x1	07 x1
08 x1	09 x2	10 x1	11 x1	12 x1	13 x1	14 x4
15 x1	17 x1	18 x1	24 x2	30 x1	32 x1	33 x1
35 x1	<p>Note: To simplify the installation process, Steps 19 and 20 of the chaise assembly have been deferred to the 2-seater installation sequence. Please carefully and strictly follow the order provided in the instructions.</p>					

Step 1



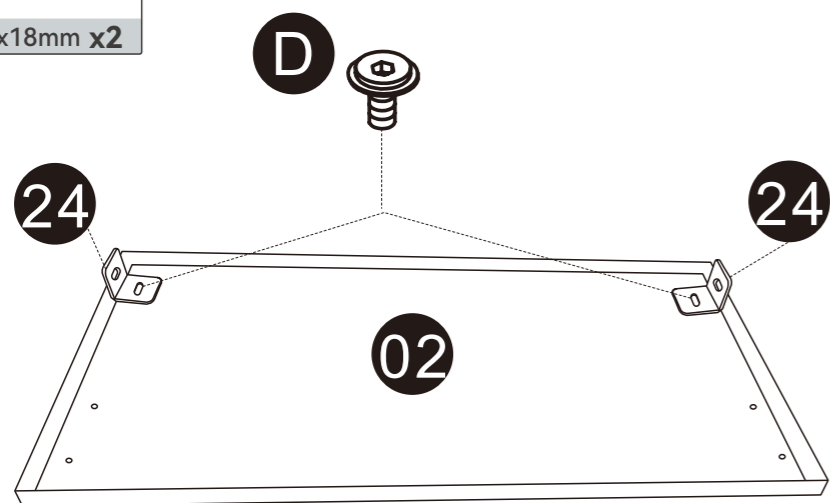
Step 2



Step 3

Attach part 24 to part 02 using screw D.

D M6x18mm x2

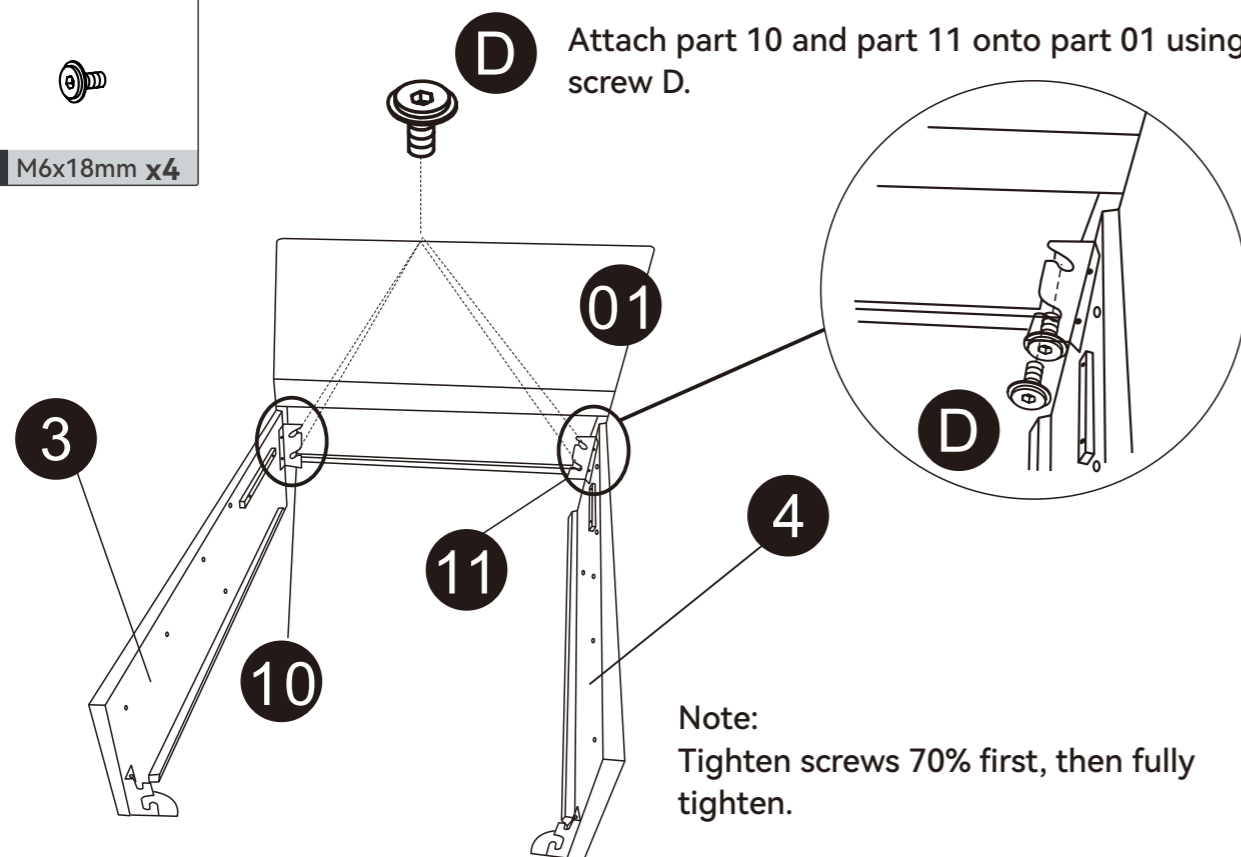


Note:
Align part 24 flush with the edge of part 02.

Step 4

Attach part 10 and part 11 onto part 01 using screw D.

D M6x18mm x4

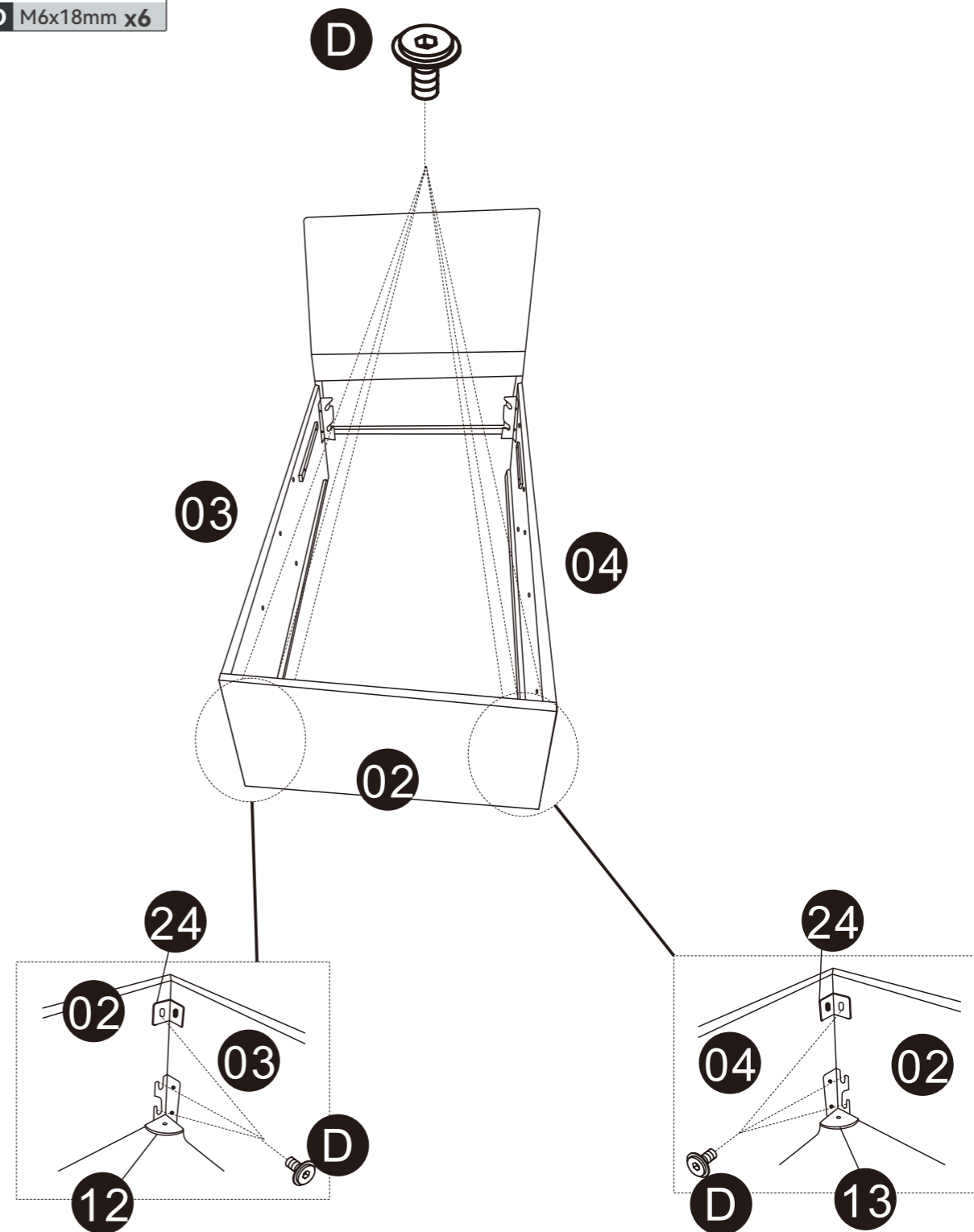


Note:
Tighten screws 70% first, then fully tighten.

Step 5

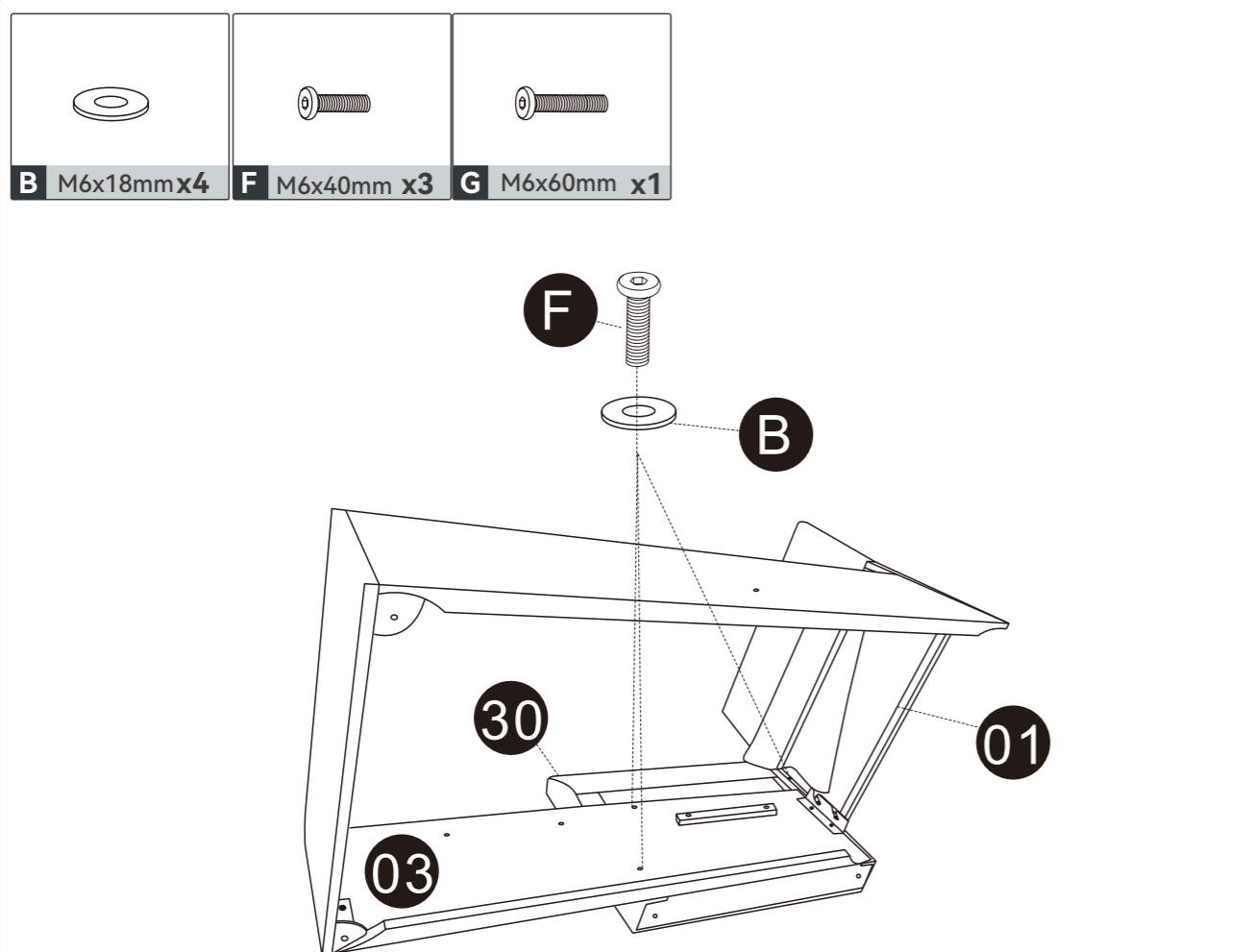
Connect part 02 with parts 03 and 04 using screw D.

D M6x18mm x6

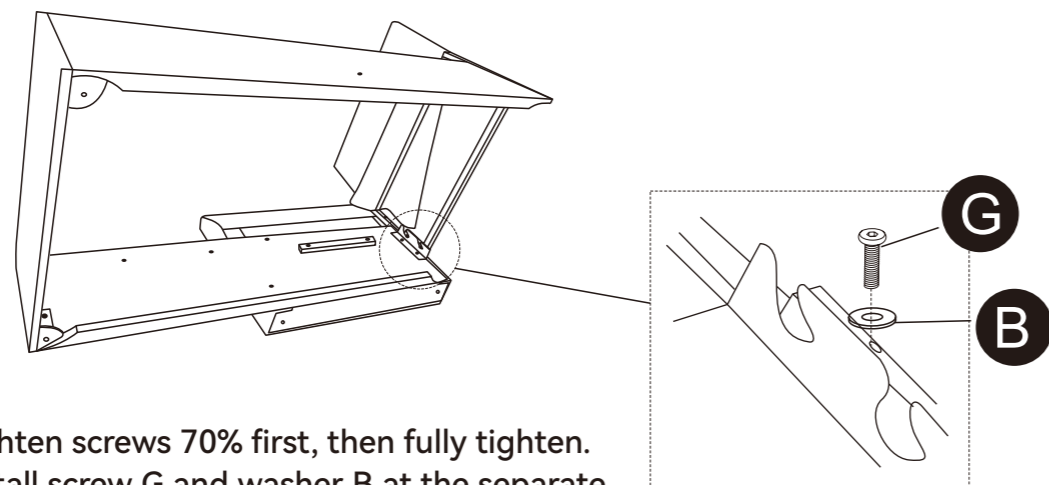


Note:
Insert all screws loosely at first, then fully tighten them.

Step 6

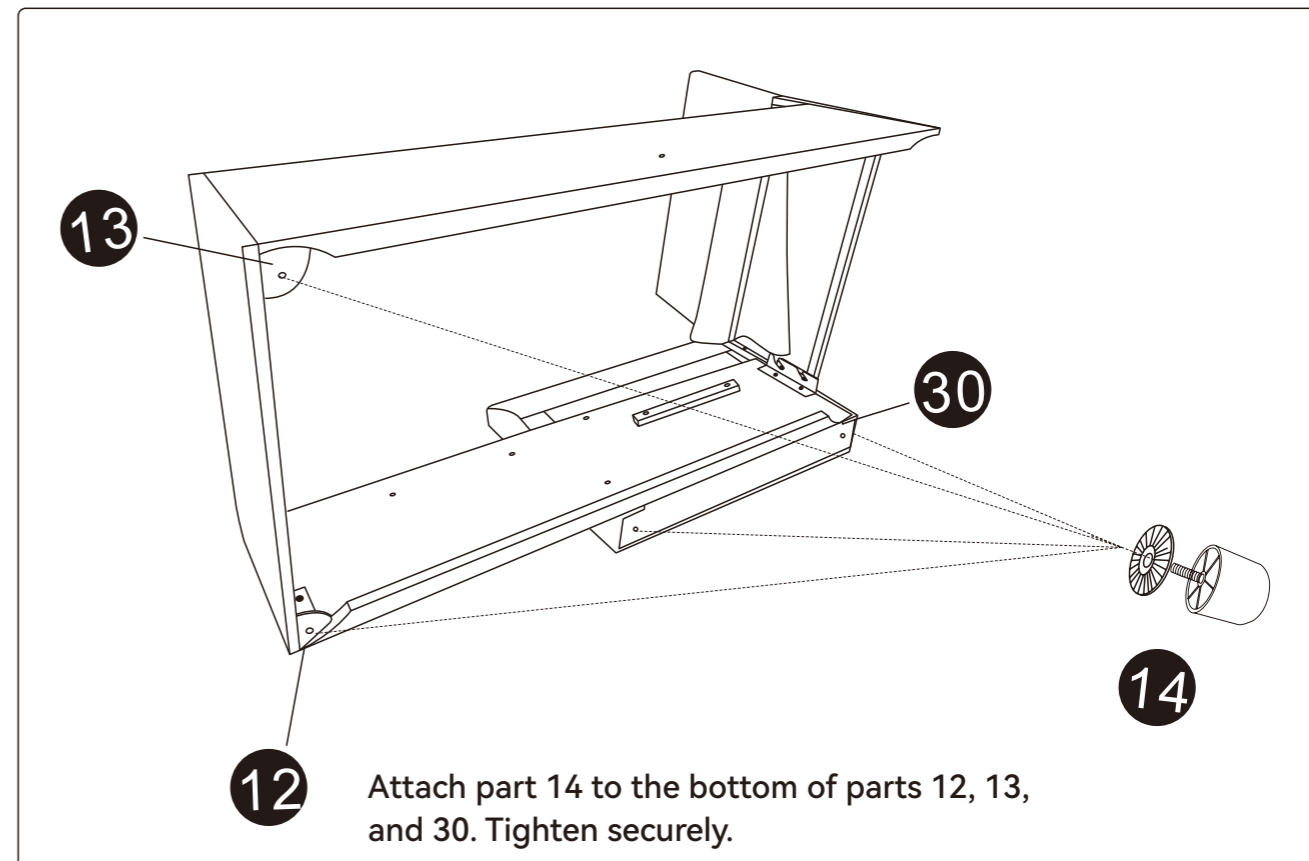


Connect part 30 with part 03 using screws F and G, and washer B.



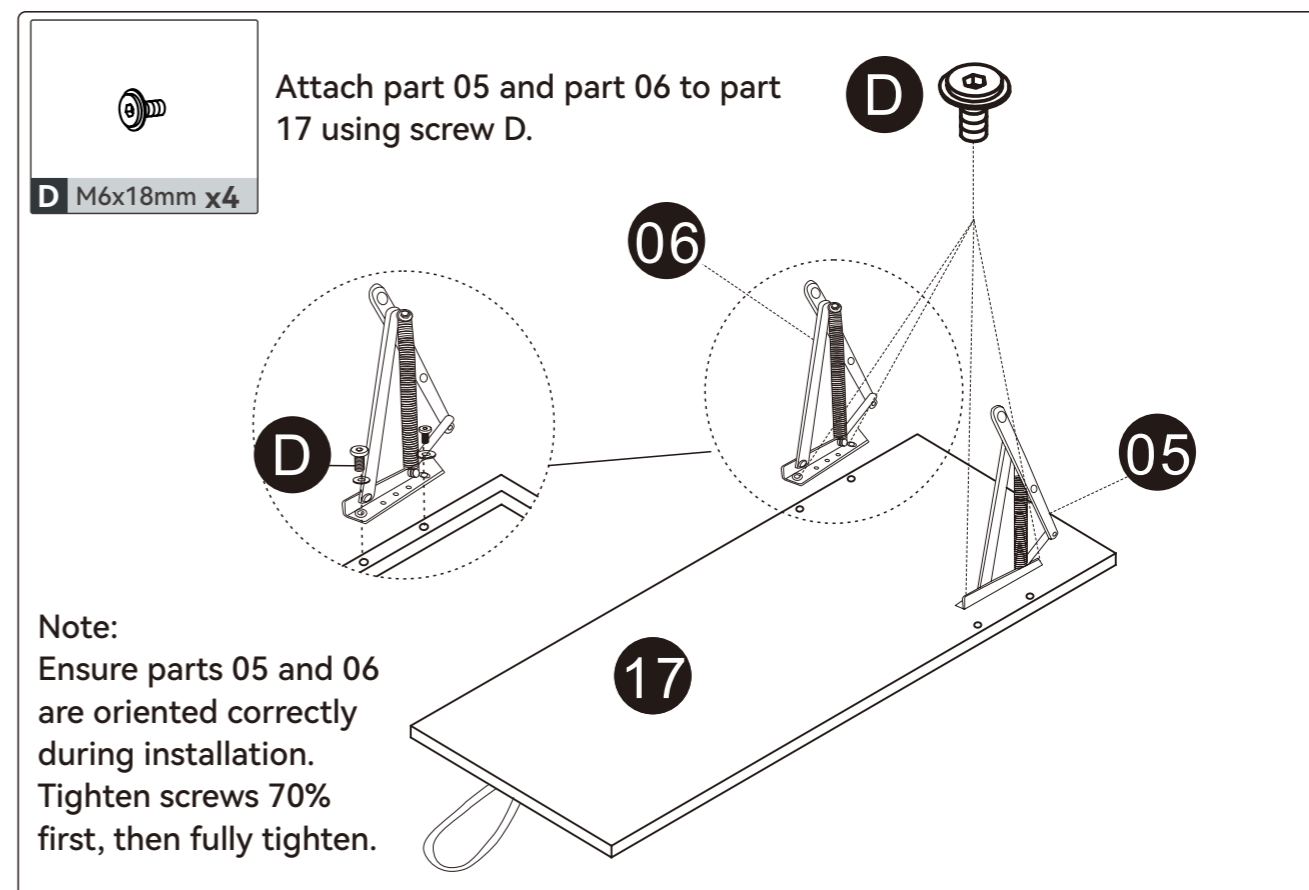
Note:
1. Tighten screws 70% first, then fully tighten.
2. Install screw G and washer B at the separate location shown in the detailed diagram.

Step 7



Attach part 14 to the bottom of parts 12, 13, and 30. Tighten securely.

Step 8

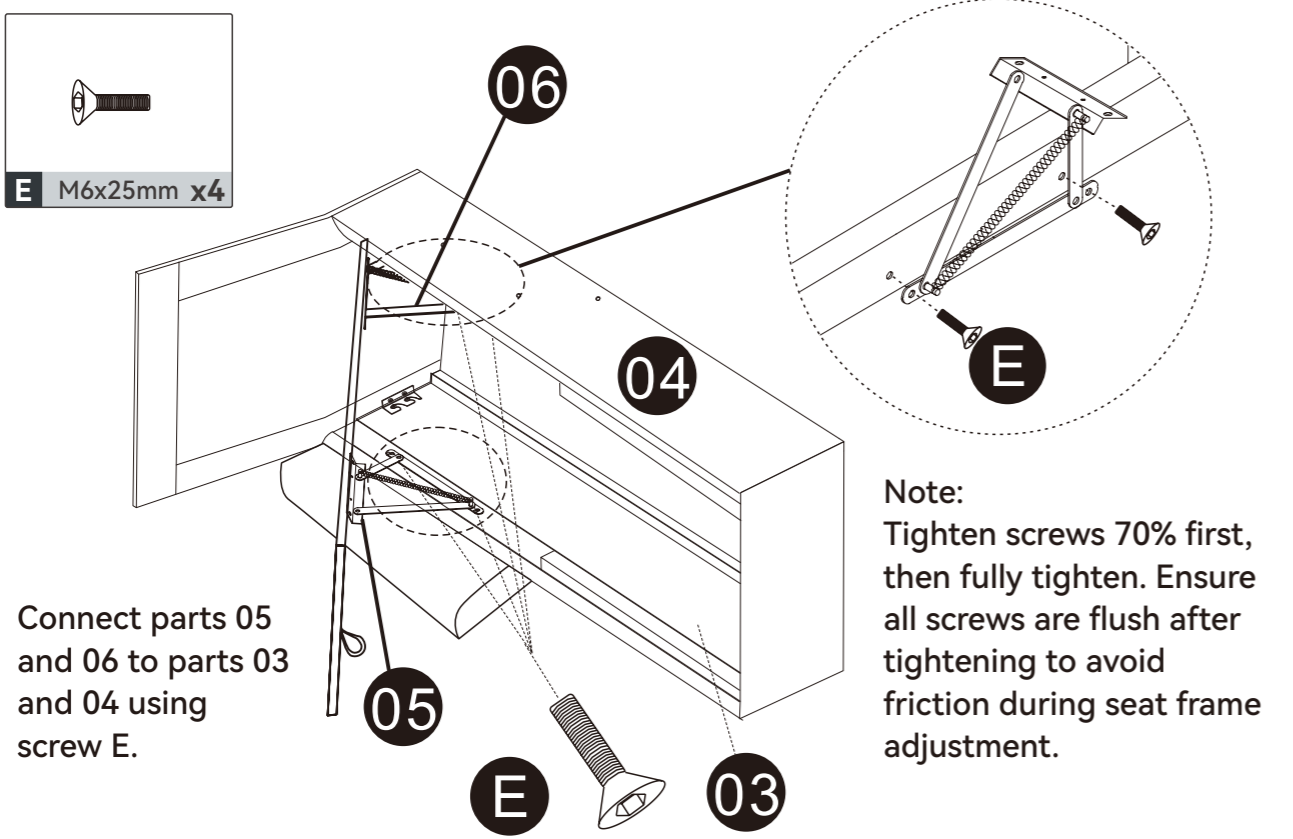


Attach part 05 and part 06 to part 17 using screw D.

D M6x18mm x4

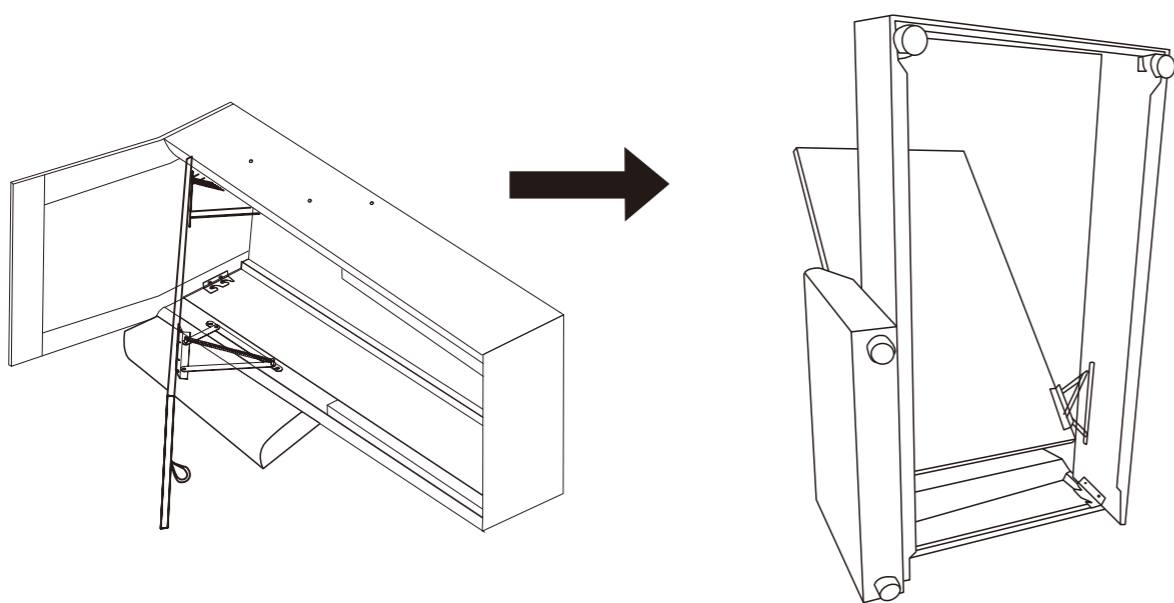
Note:
Ensure parts 05 and 06 are oriented correctly during installation.
Tighten screws 70% first, then fully tighten.

Step 9

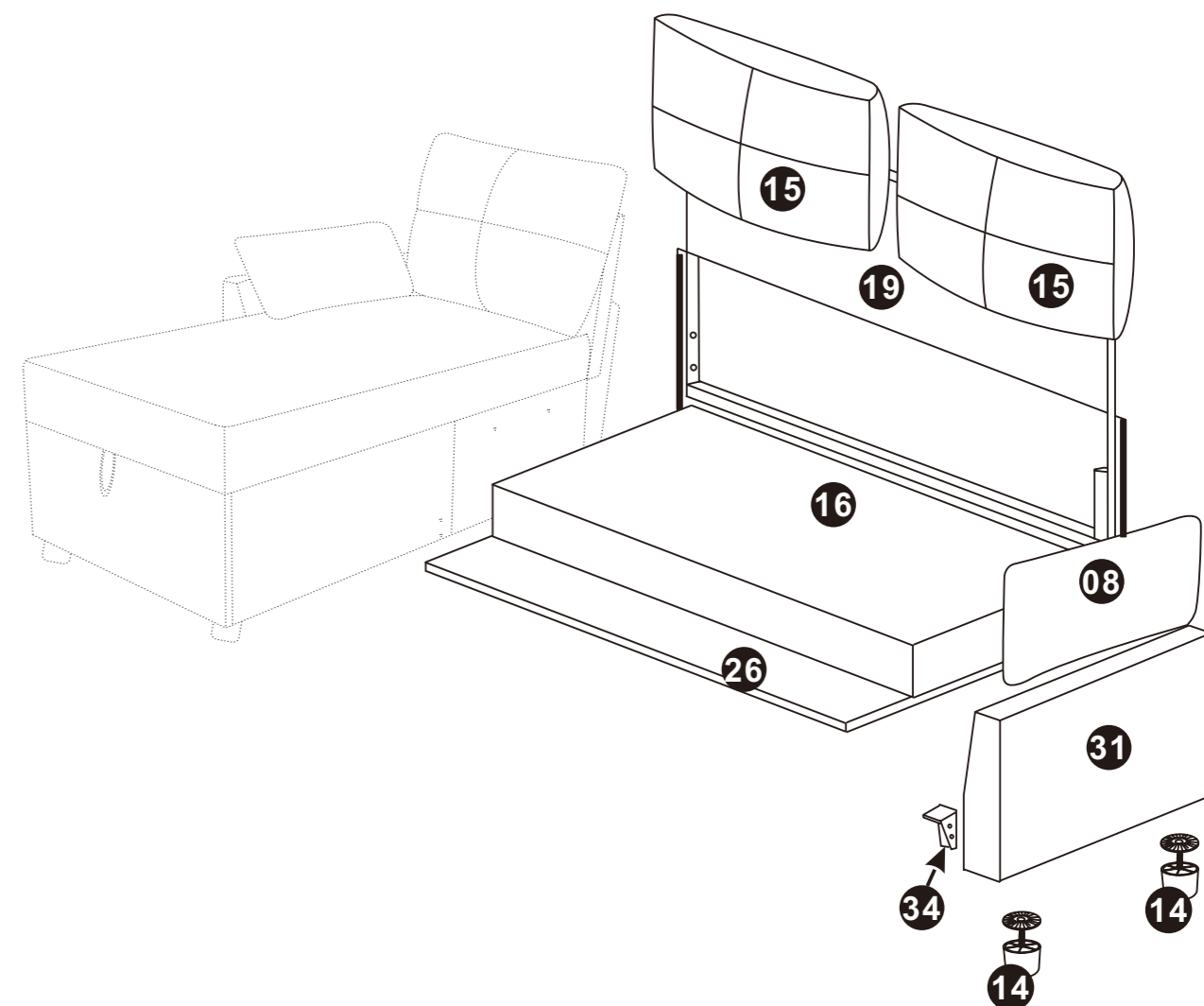


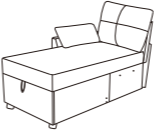






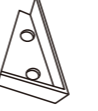
Step 10

This is the current installation effect. By placing the parts in the optimal position as shown, it will be more convenient to proceed with the following steps. Next, begin installing the two-seater section.

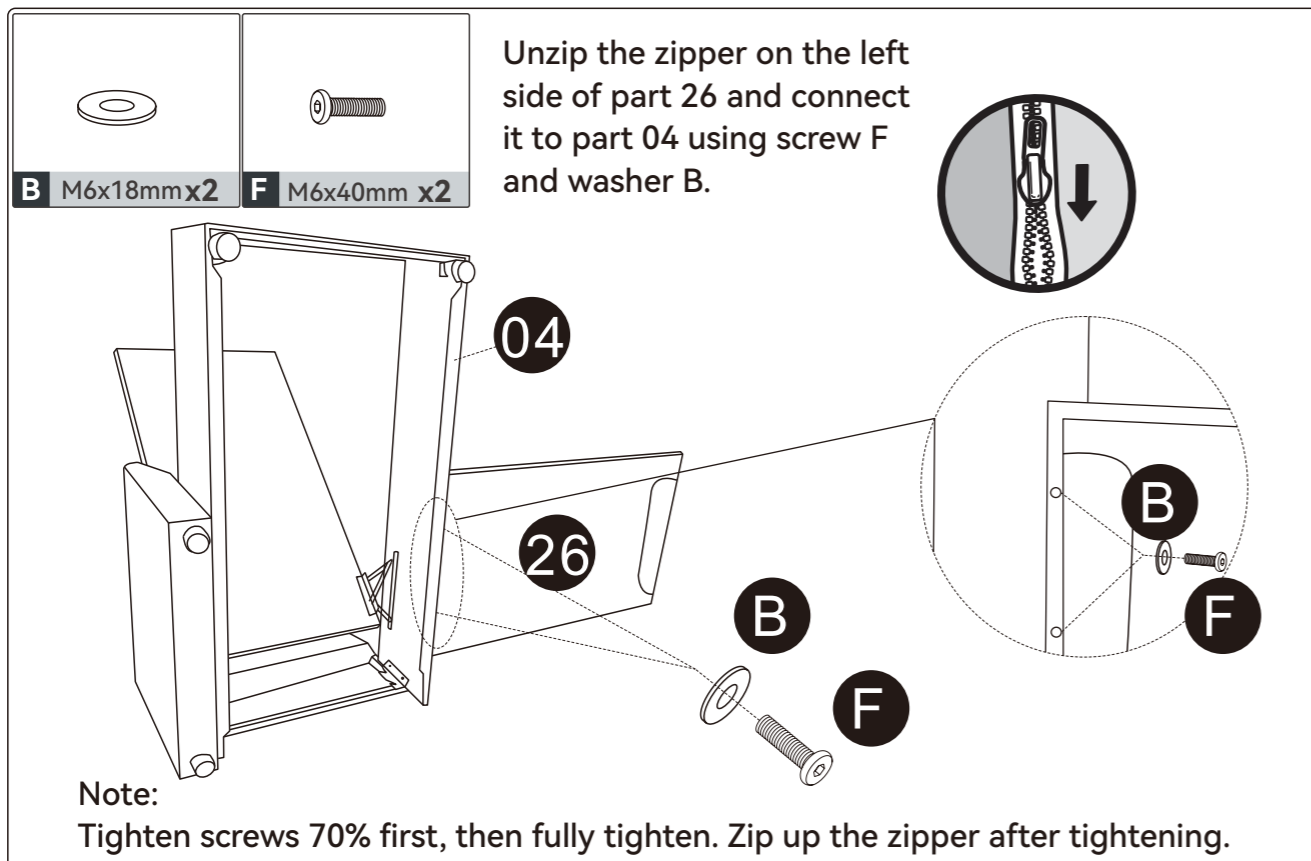


2 - Seater - Exploded View

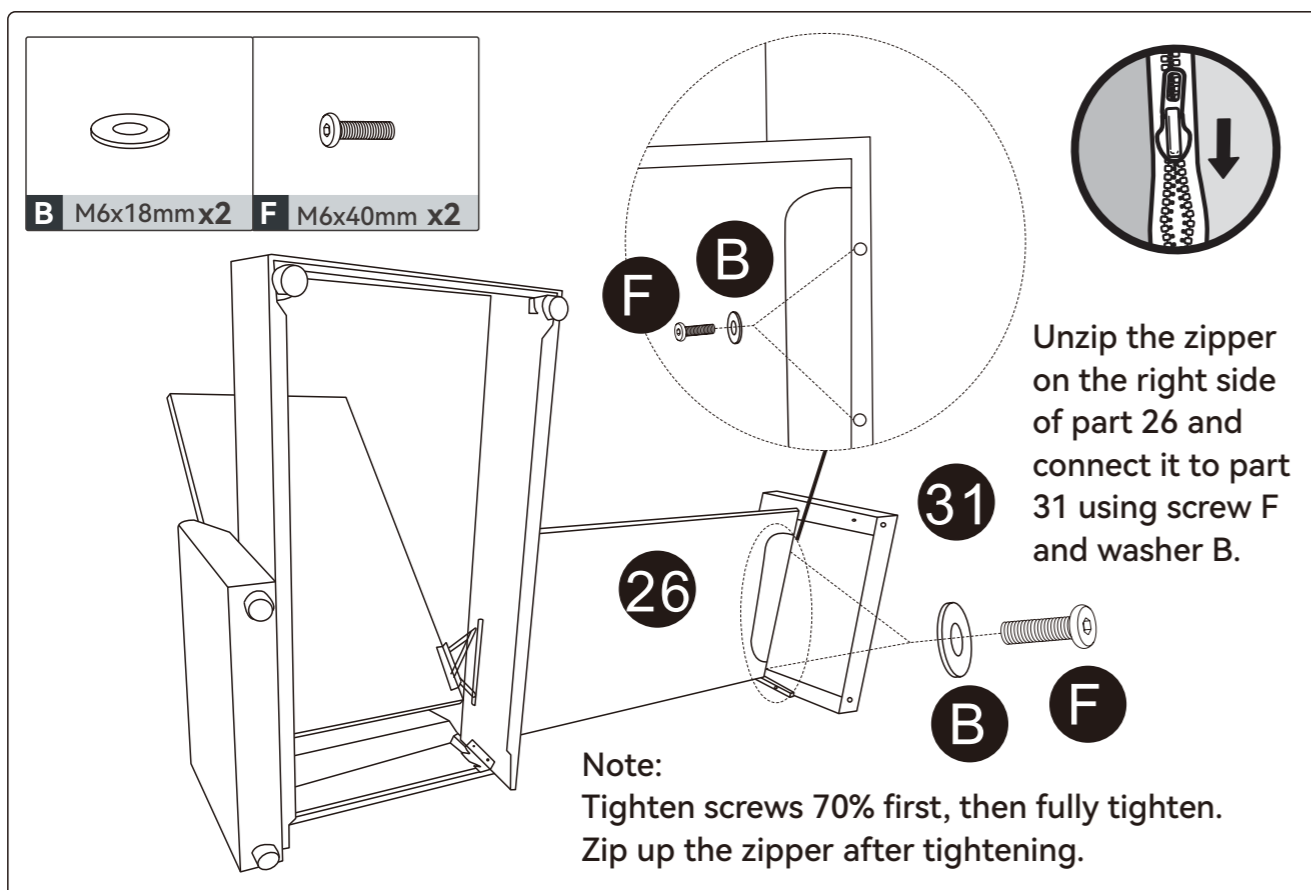


	08  x1	14  x2	15  x2	16  x1	19  x1	31  x1
34  x1						

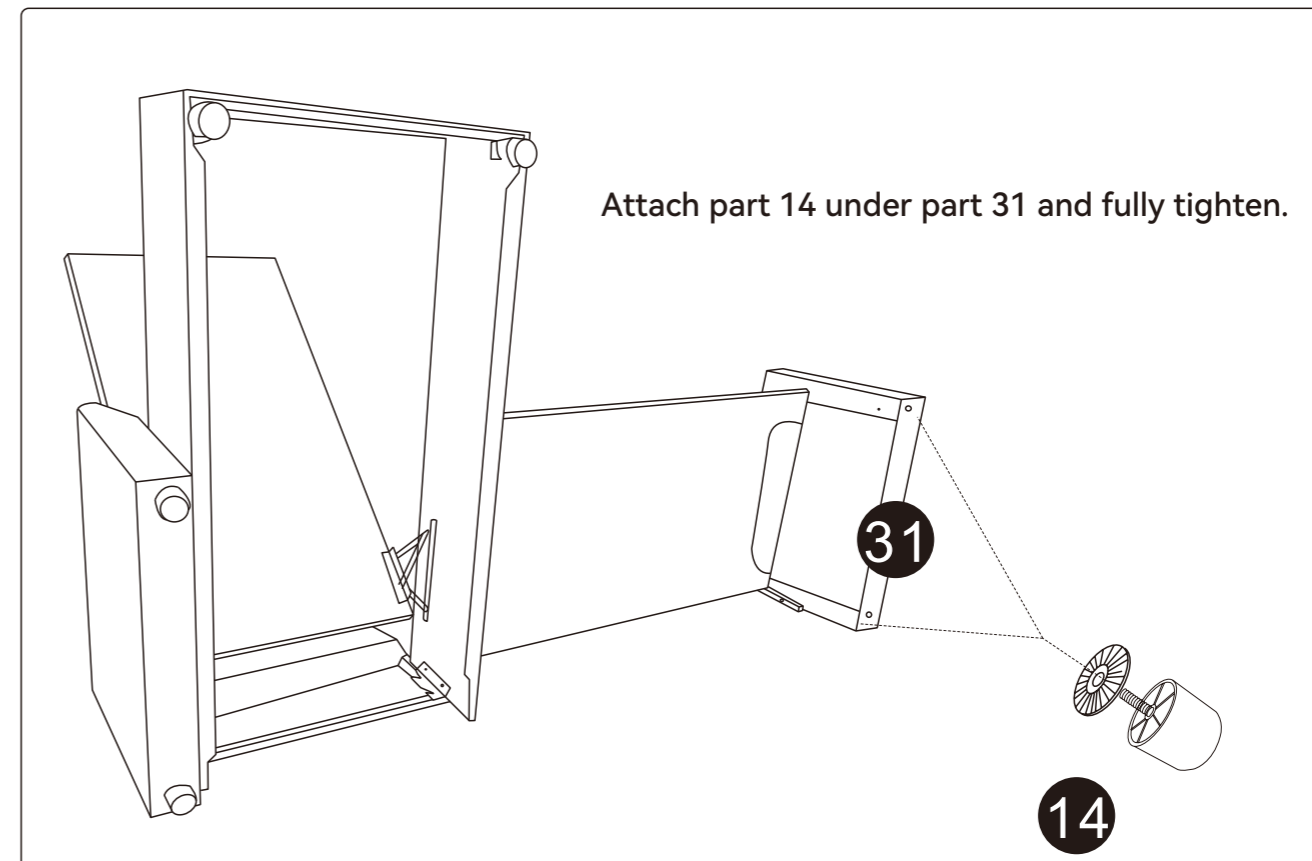
Step 11



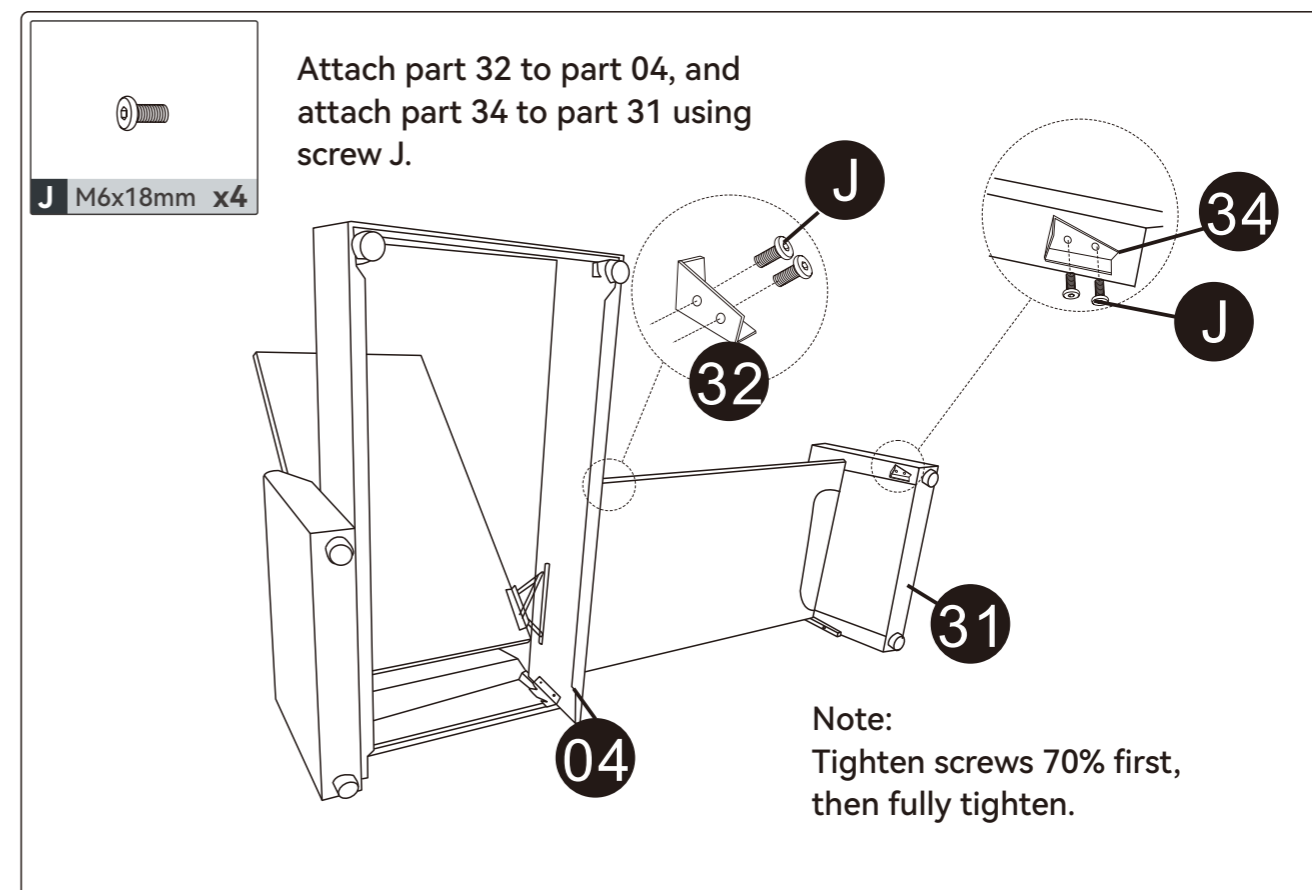
Step 12



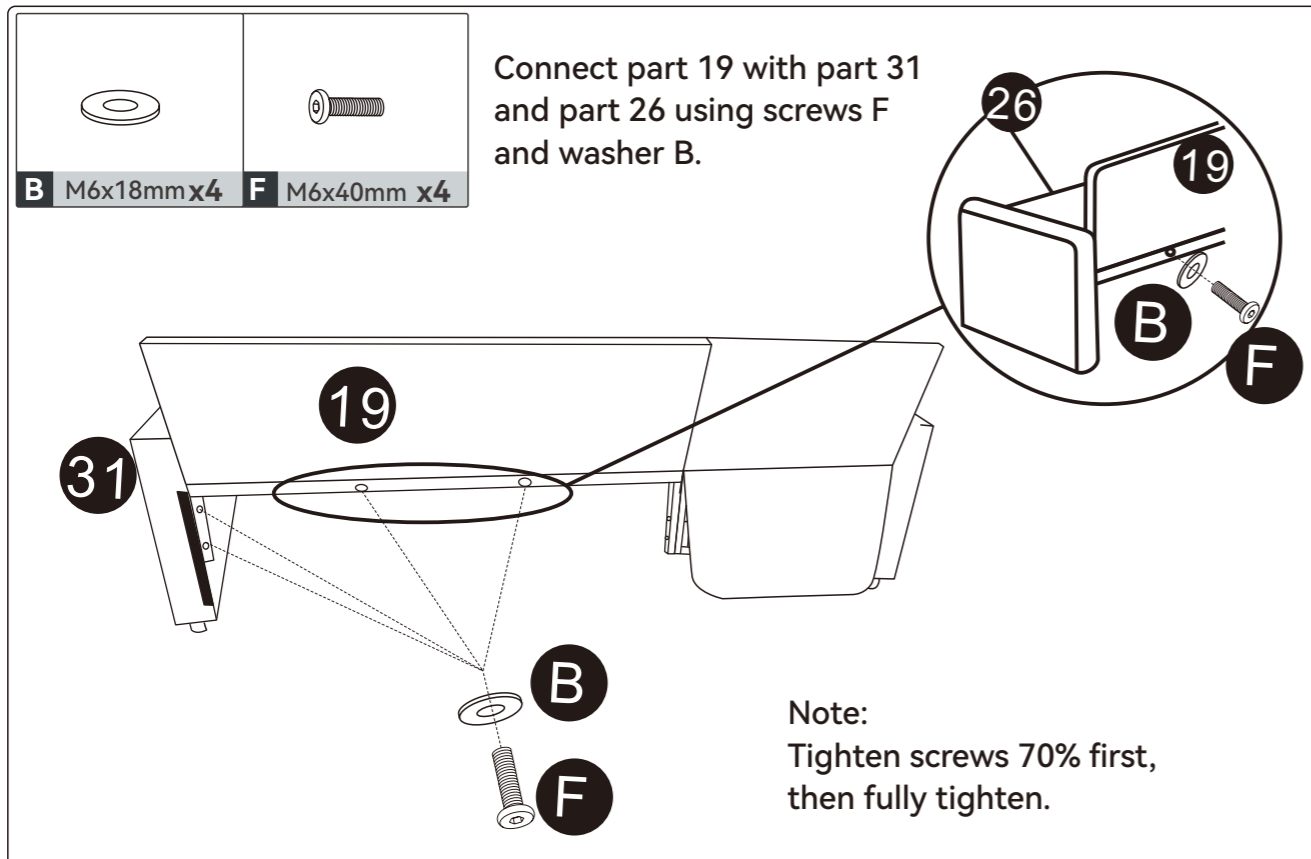
Step 13



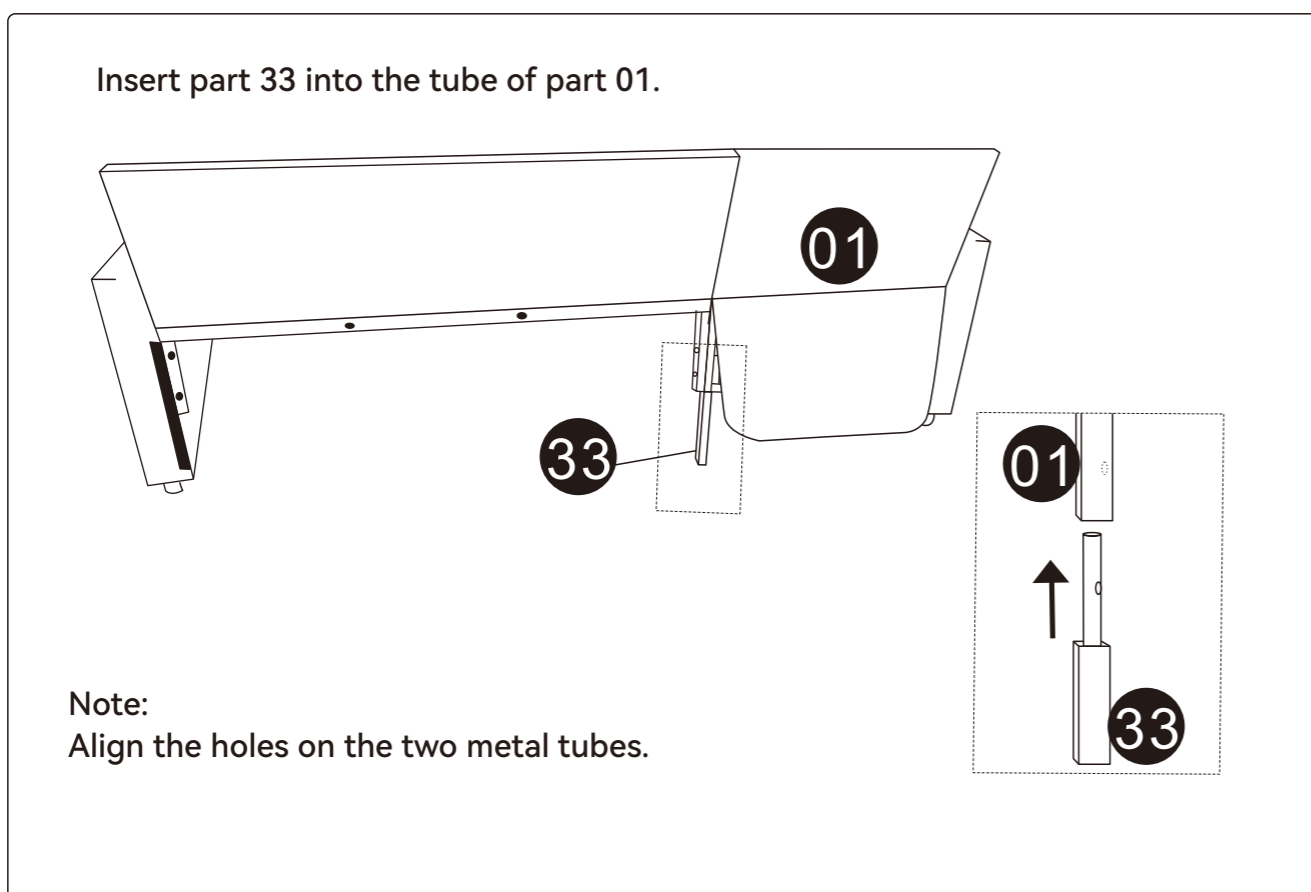
Step 14



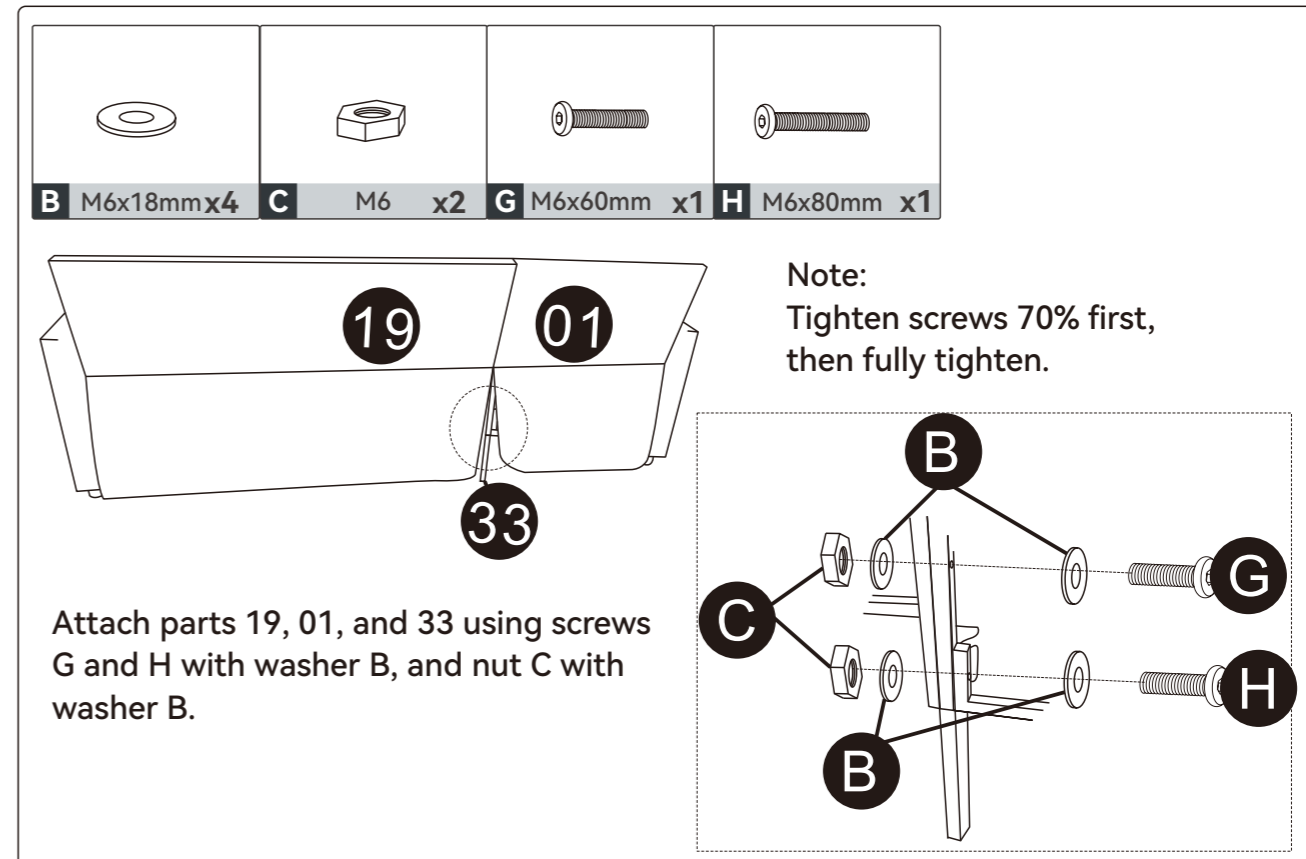
Step 15



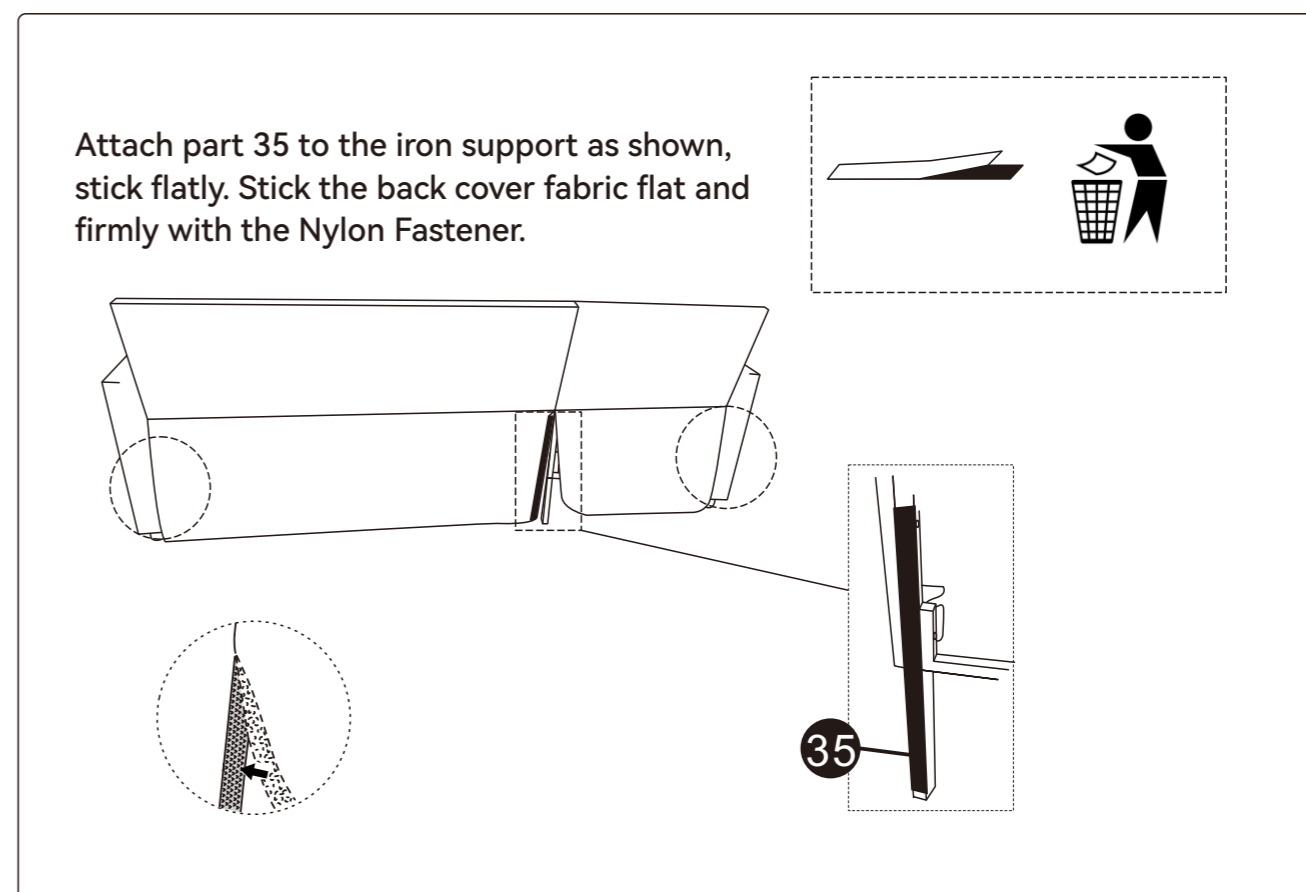
Step 16



Step 17

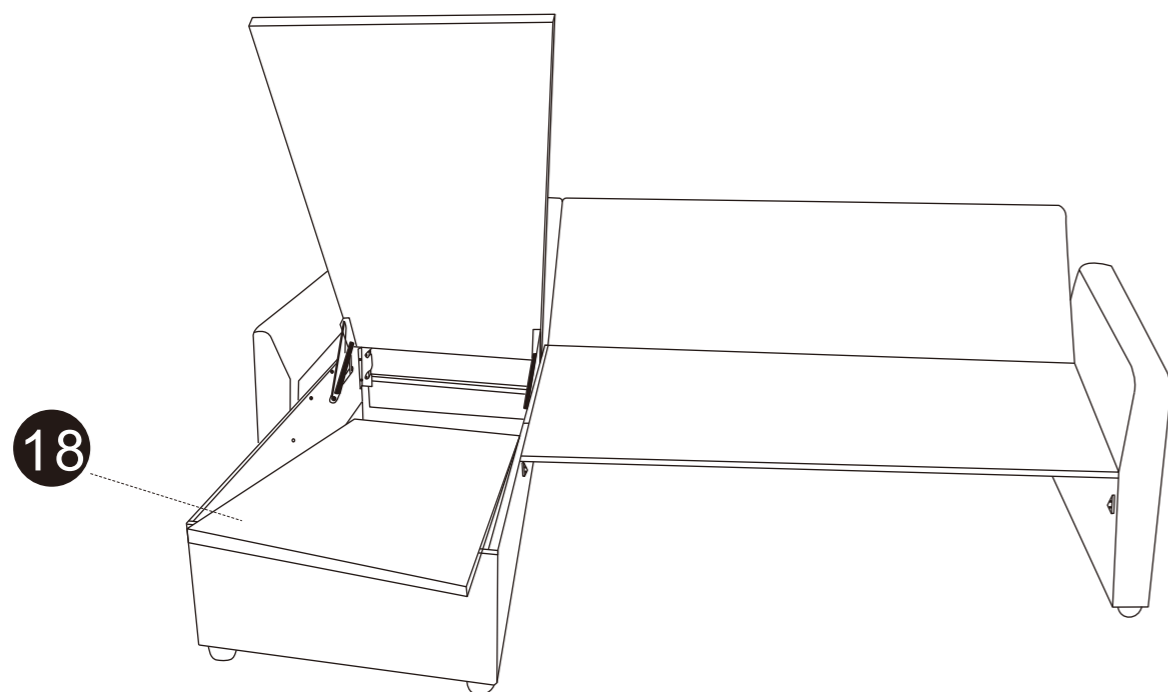


Step 18



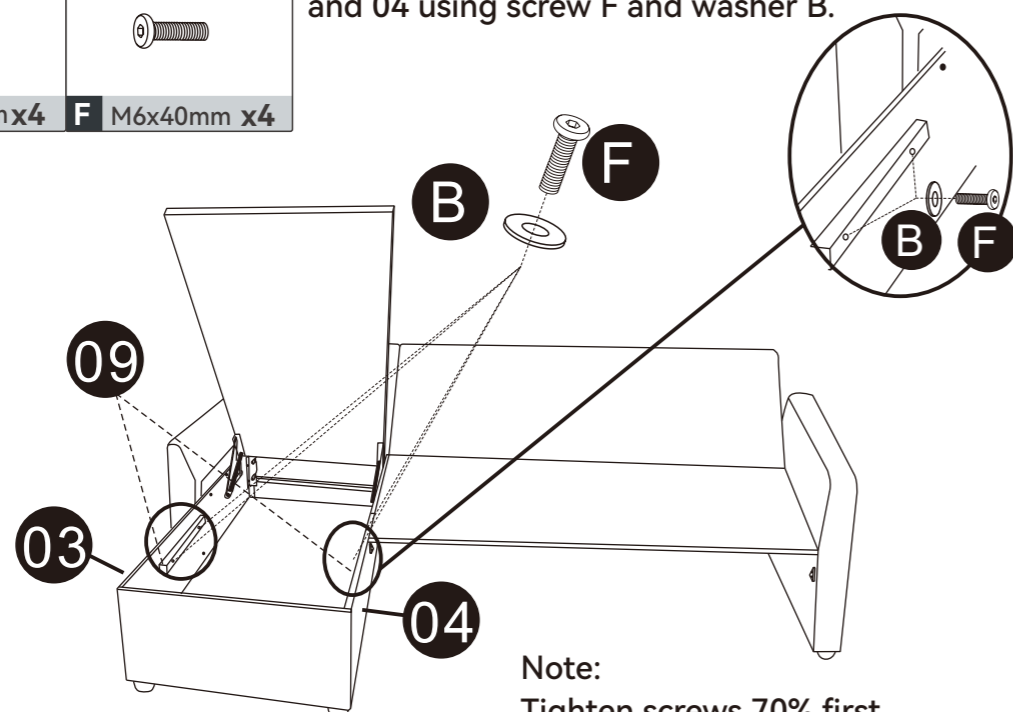
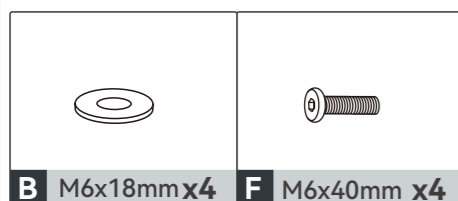
Step 19

Insert part 18 at an angle and lay it flat on the bottom of the frame.



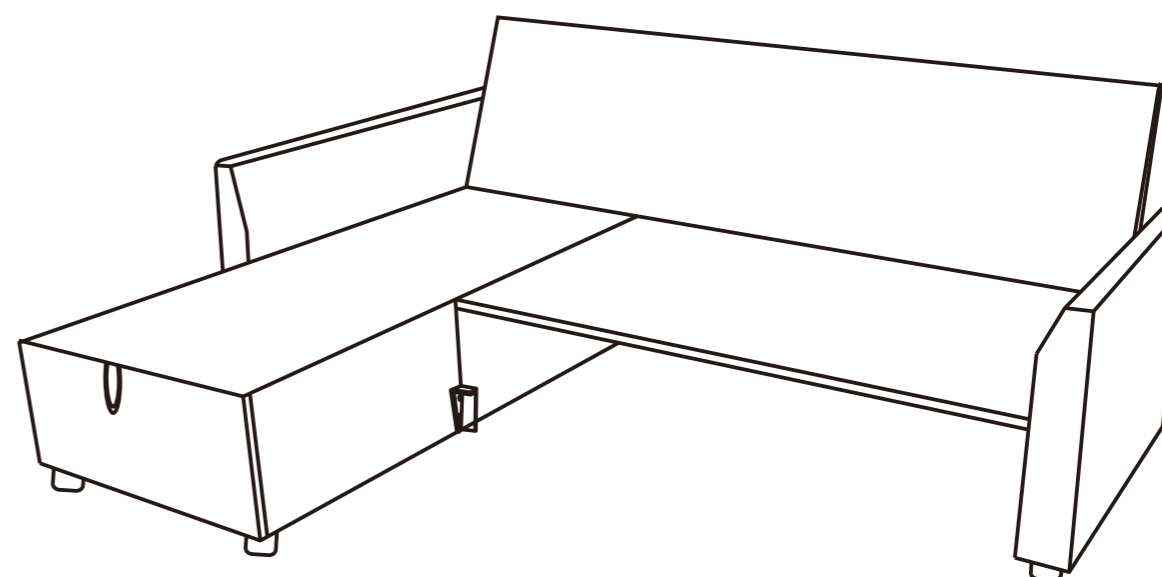
Step 20

Attach part 09 onto the inside panel of parts 03 and 04 using screw F and washer B.



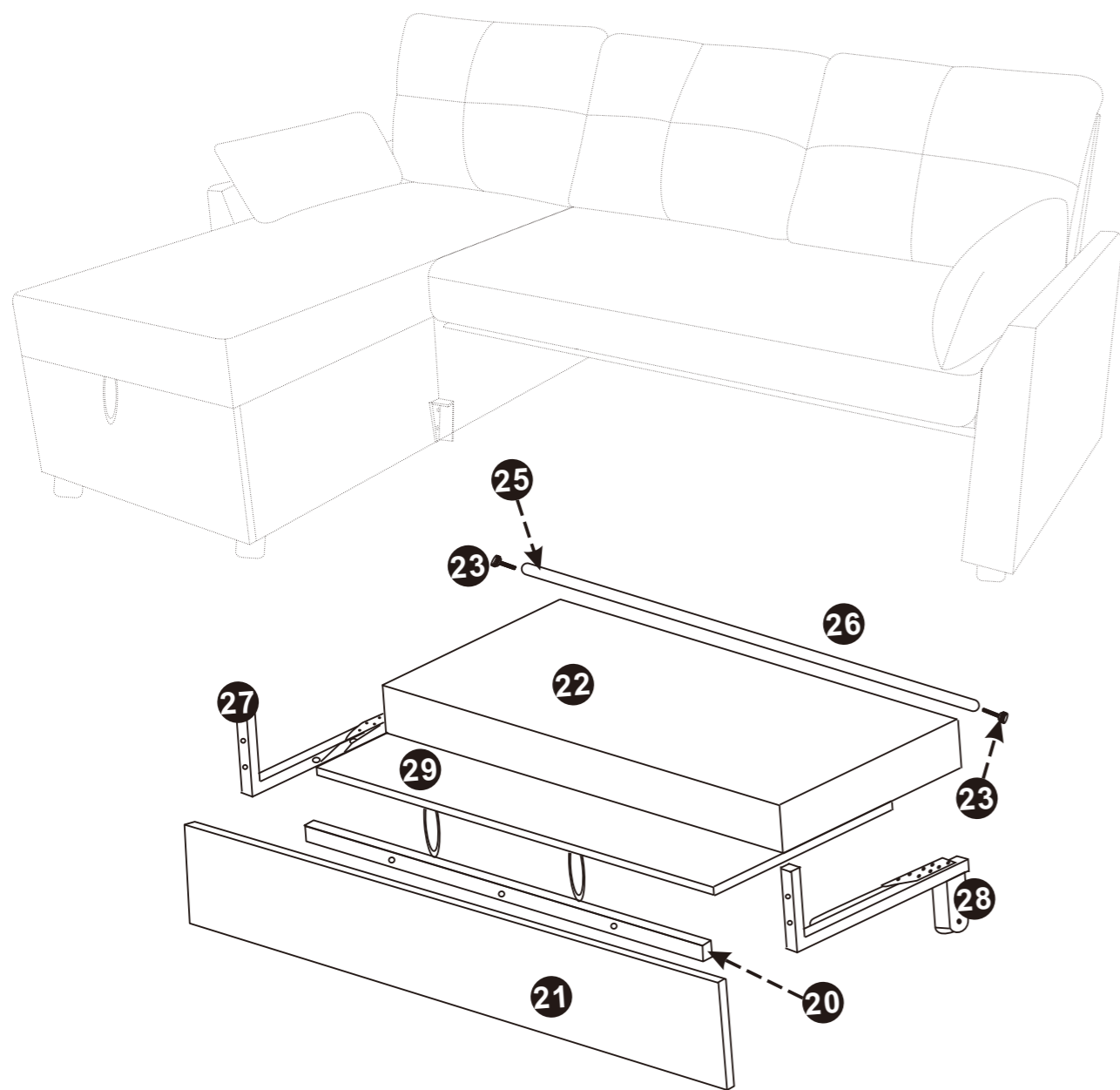
Note:
Tighten screws 70% first,
then fully tighten.

Step 21



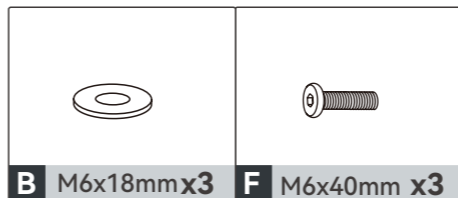
Now that the chaise and the two-seater sections have been assembled,
proceed to install the pull-out bed section.

Pull - out Bed - Exploded View

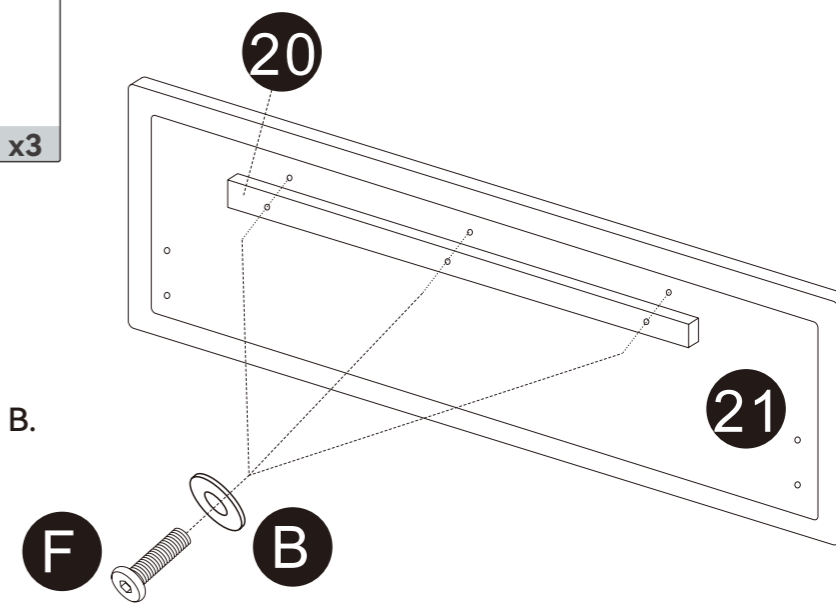


	 x1	 x1	 x1	 x2	 x1	 x1
 x1	 x1	 x1				

Step 22

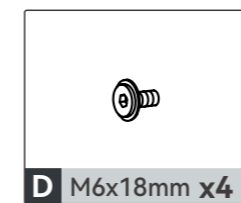


Attach part 20 to part 21 using screw F and washer B.

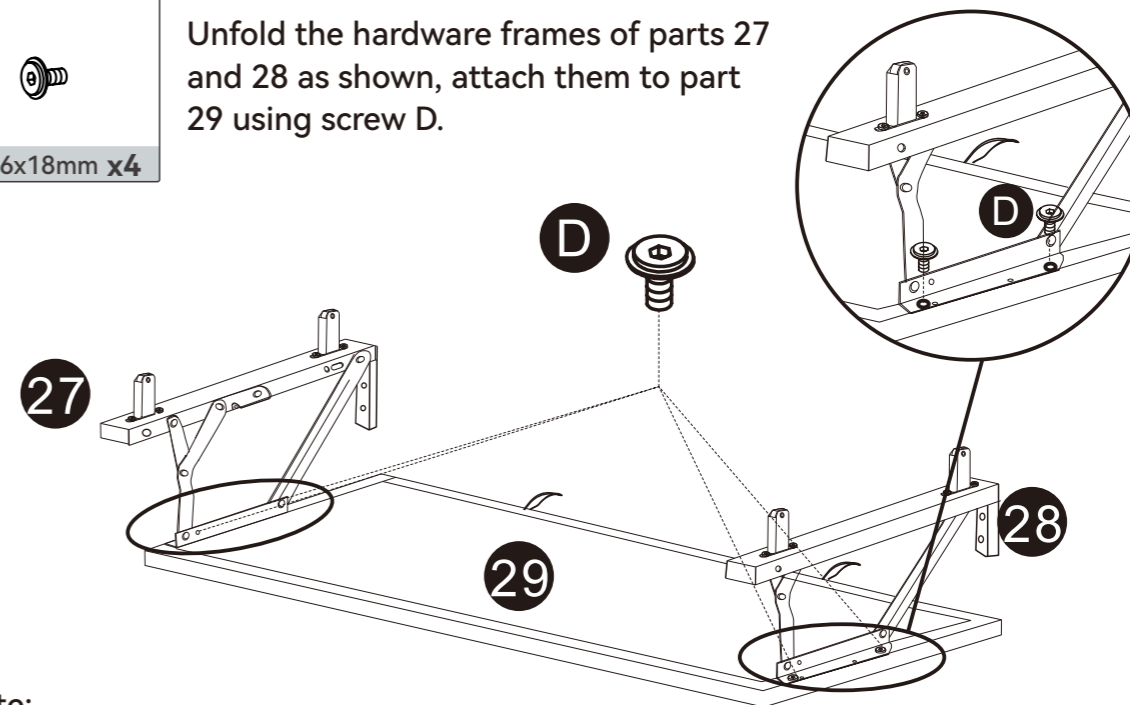


Note:
Tighten screws 70% first,
then fully tighten.

Step 23

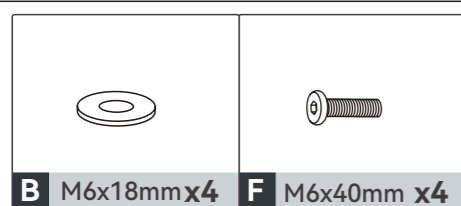


Unfold the hardware frames of parts 27 and 28 as shown, attach them to part 29 using screw D.

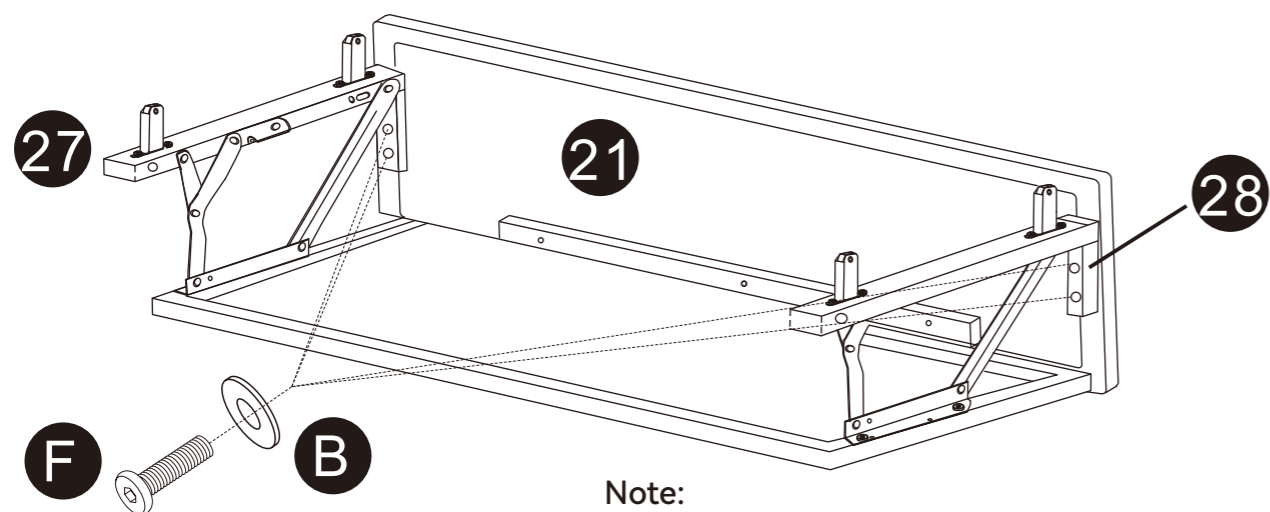


Note:
The installation direction of parts 27 and 28 must match the
illustration. Tighten screws 70% first, then fully tighten.

Step 24

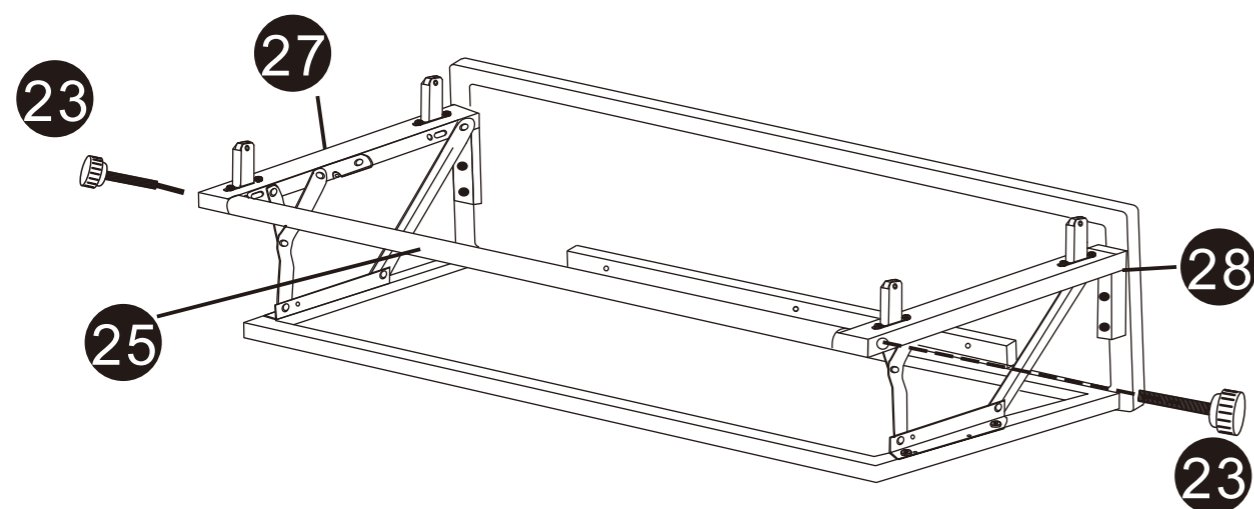


Attach part 27 and 28 onto part 21 using screw F and washer B.



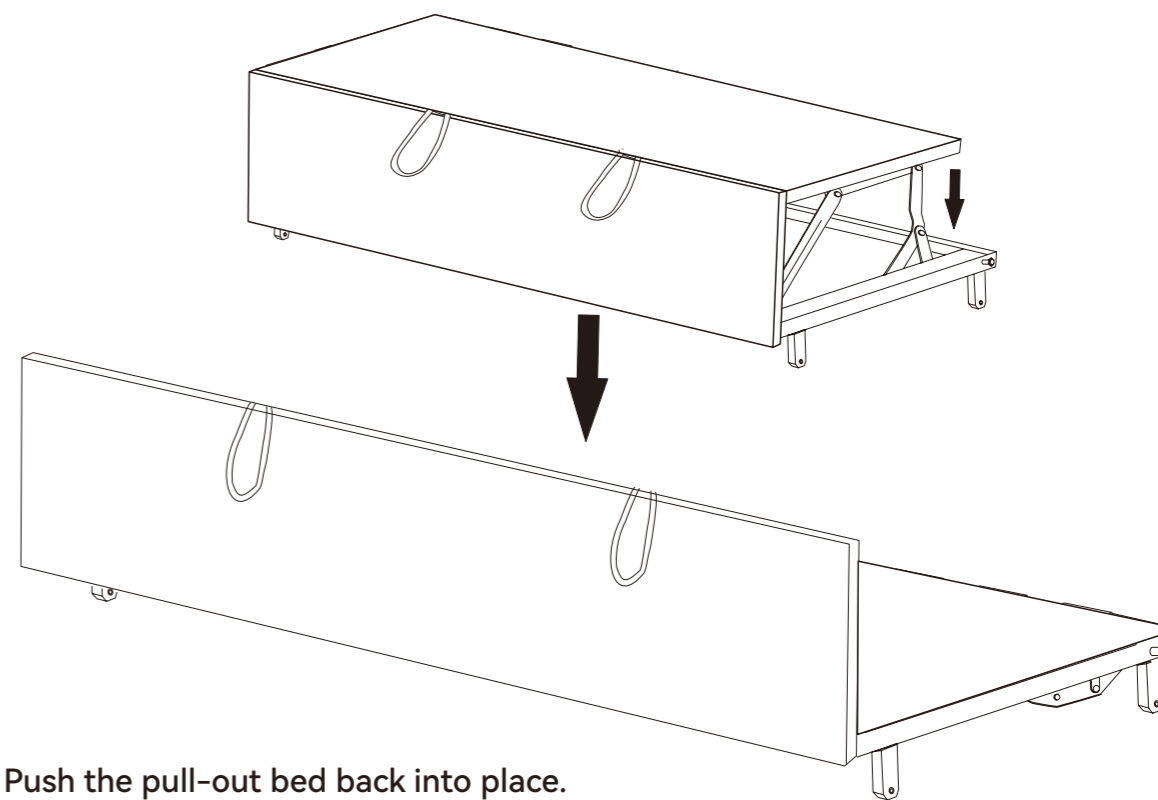
Note:
Tighten screws 70% first,
then fully tighten.

Step 25



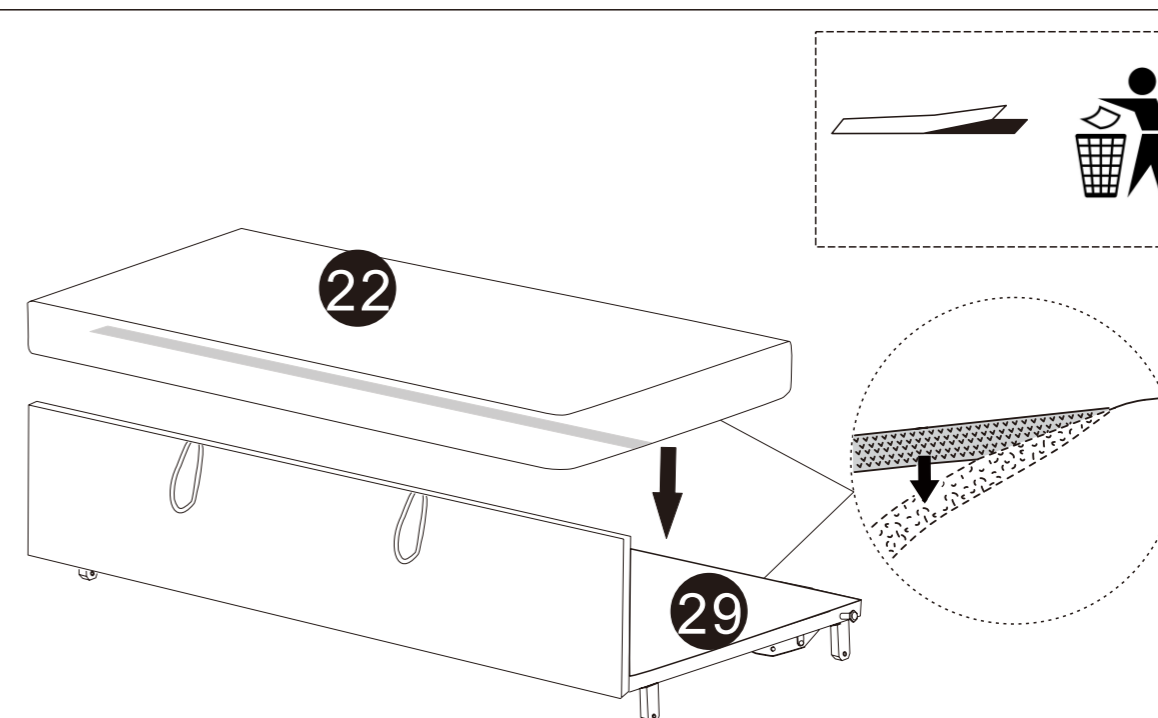
Connect part 25 with parts 27 and 28 using part 23.

Step 26



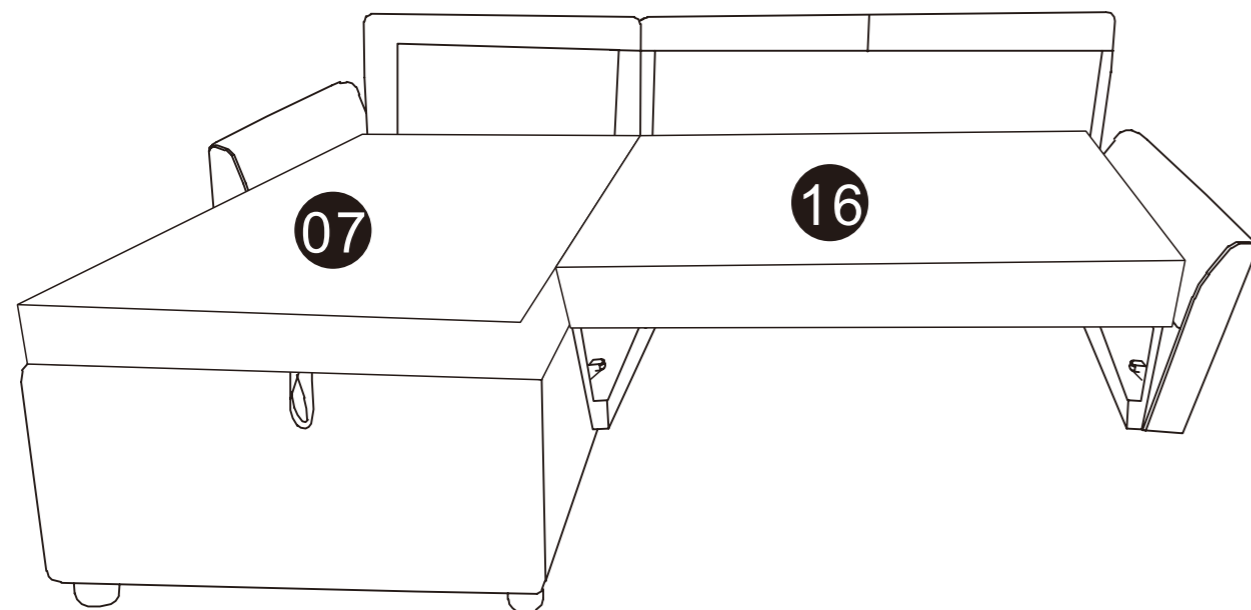
Push the pull-out bed back into place.

Step 27



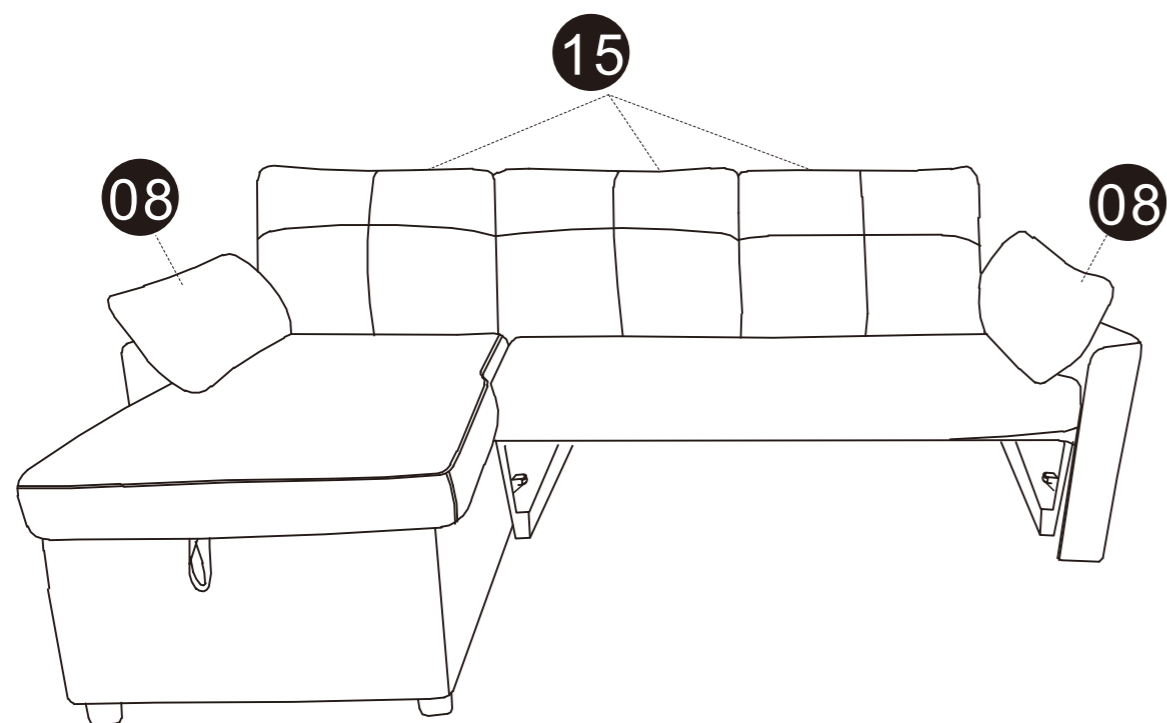
Tear off the protective cloth on the Nylon Fastener on the back of part 22, and place part 22 onto part 29. Ensure the cushion is centered evenly on both sides to avoid collision after placement.

Step 28



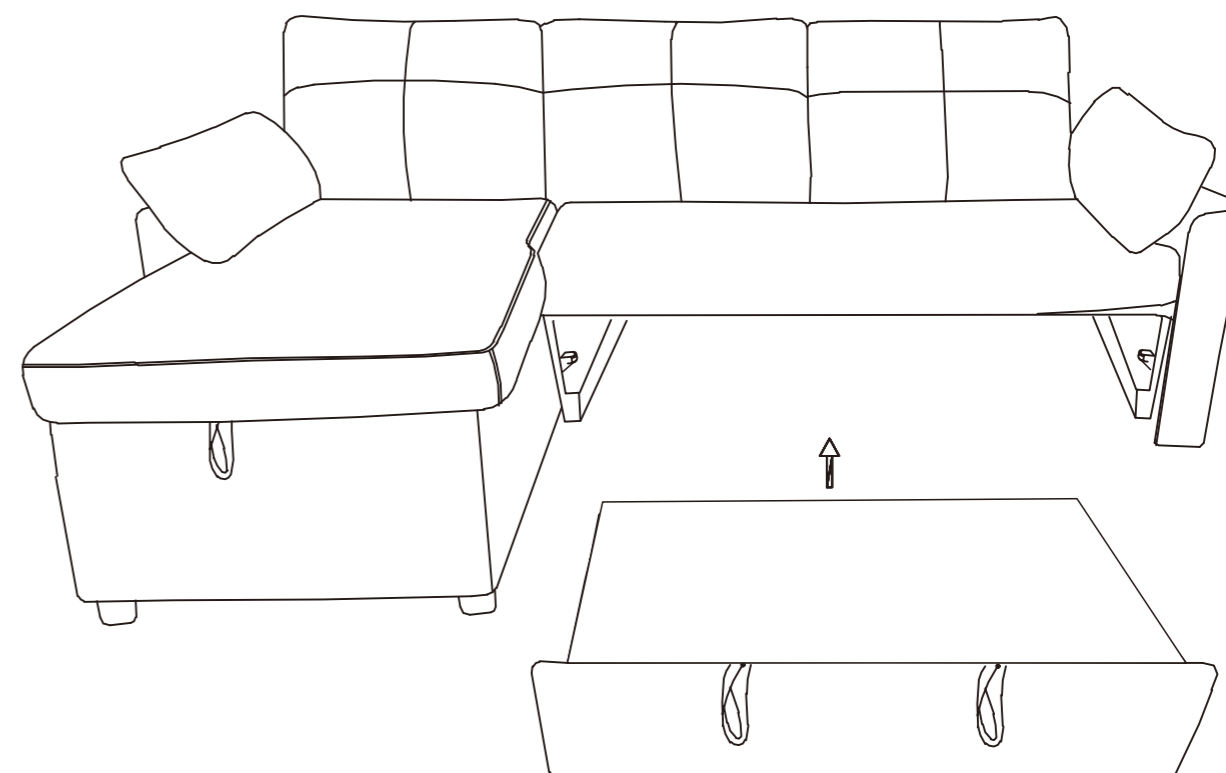
Place part 07 and 16 in the illustrated position.

Step 29



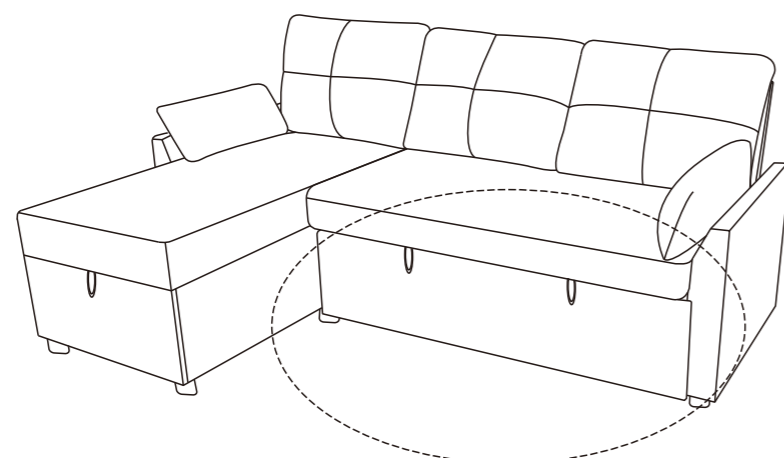
Place part 08 and 15 in the illustrated position.

Step 30

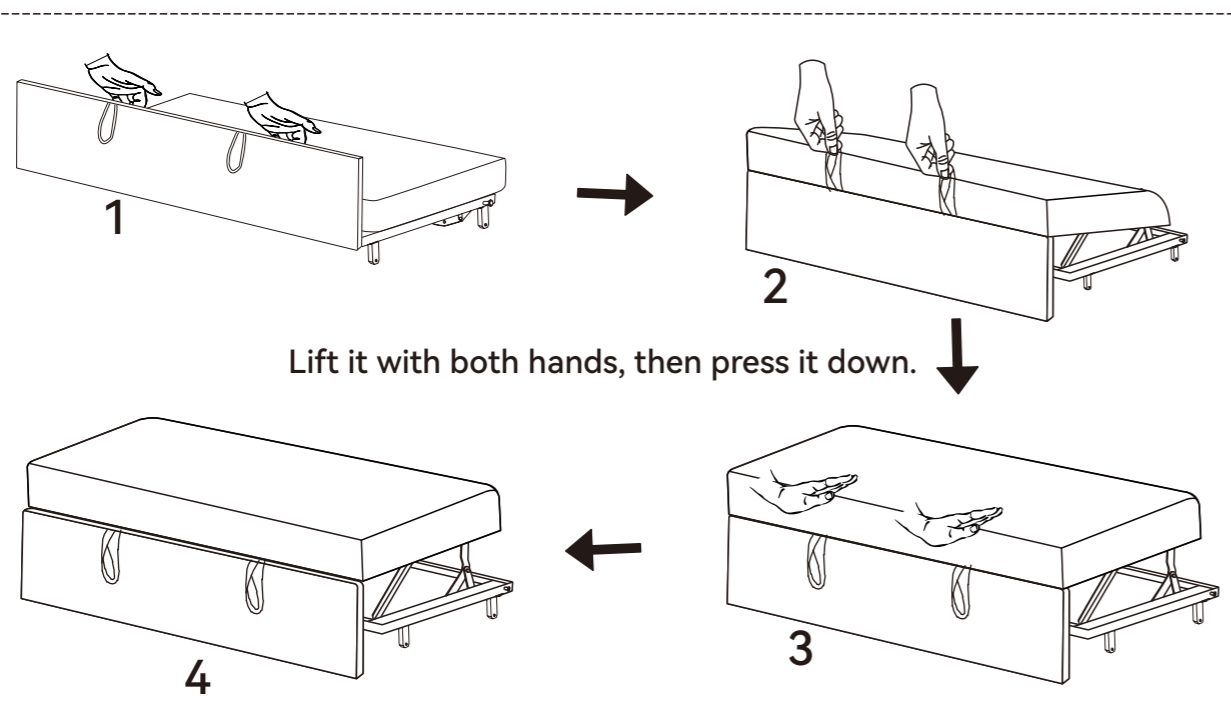


Place the pull-out bed. If the seat cushions on both sides are not evenly aligned, adjust them as needed, assembly complete.

Step 31

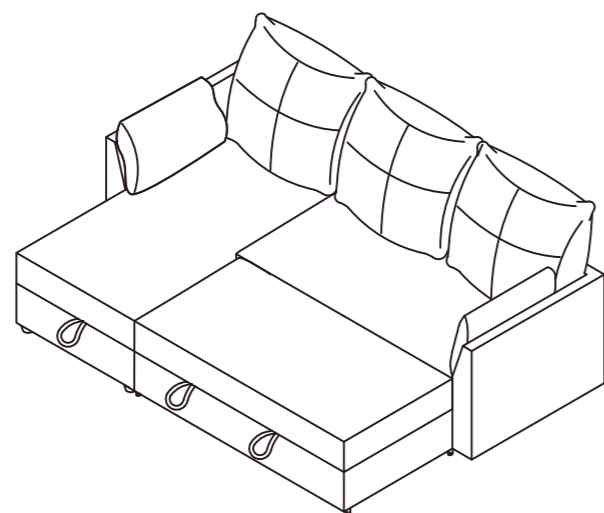


Slide out the pull-out sofa frame until it reaches the stopper.

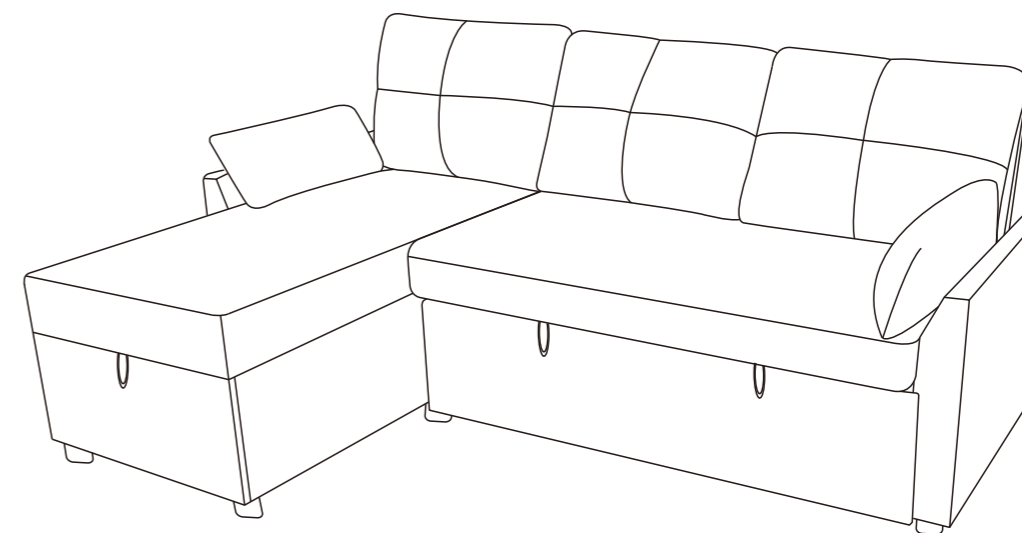


Lift it with both hands, then press it down.

Ensure the frame rests securely on the wooden support rails.



Maintenance



1. Avoid direct sunlight, preferably placed in a place that can avoid sunlight, or use translucent tulle curtains to block the sun.
2. Vacuum at least once a week, paying particular attention to removing dust accumulation between fabric structures.
3. Sofa cushions are turned over once a week to evenly distribute wear.
4. If stained, use a clean cloth dipped in water to wipe. In order to avoid leaving marks, it is best to wipe from the periphery of the stain. Velvet furniture should not be dipped in water and should use a dry cleaning agent.
5. All cloth covers and bushings should be dry-cleaned, not washed, not bleached.
6. If you find loose thread, do not tear it with your hand; it is best to cut the thread neatly with scissors.