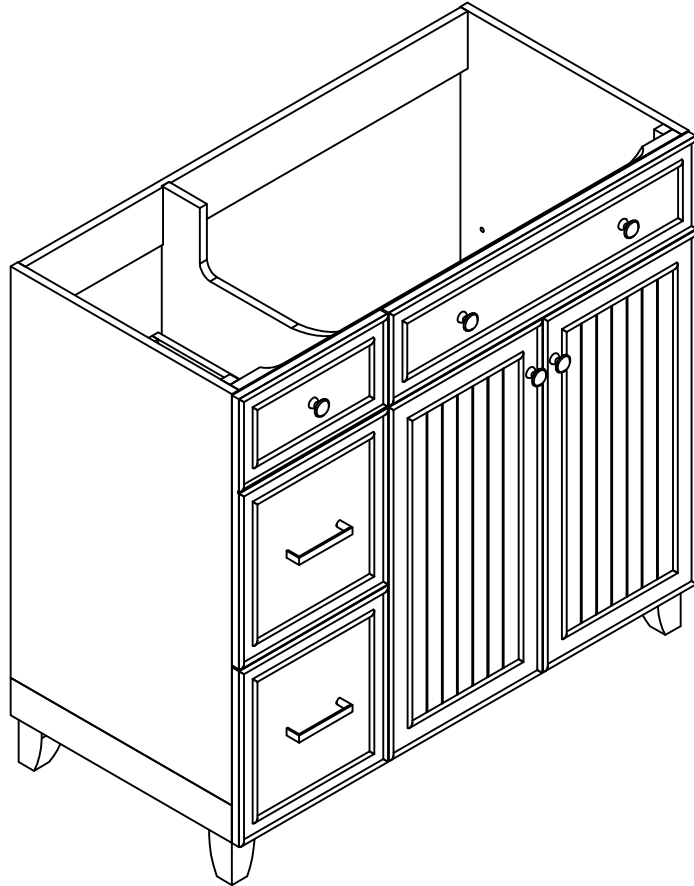


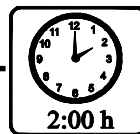
ASSEMBLY INSTRUCTIONS

36 INCH BATH VANITY-CABINET



Thank you for purchasing this quality product. Be sure to check all packing material carefully for small parts which may have come loose inside the carton during shipment. Separate, identify and count all parts and hardware. Compare with the parts list to be sure all parts are present.
"DO NOT TIGHTEN SCREWS UNTIL COMPLETELY ASSEMBLED"

*** Use of power tool to assemble this product will invalidate any claim and damage this product making unsafe !!!**
*** Please assemble on a clean soft surface to avoid damage.**



Tools Required



(Not included)



(Not included)

IMPORTANT:

PLEASE READ INSTRUCTION BEFORE STARTING THE ASSEMBLY

Before Installation

Important - Please read these instructions fully before starting assembly

Thank you for purchasing this quality product. Be sure to check all packing materials carefully for small parts, which may have come loose inside the carton during shipment. Identify and count all items according to the PARTS LIST and/or HARDWARE LIST shown below. Check you have all the components and tools listed on the following pages.

- . We recommend that you assemble this product with the assistance of another person; this will make the assembly easier, and will help eliminate damage to the product or injury to persons during assembly.
- . Please do not over tighten screws or bolts until the assembly is completed.
- . Keep children and animal away from the work area, small parts could choke if swallowed.
- . Please put all parts on a non-abrasive floor before assembly, and follow the assembly steps to assemble your newly purchased product correctly and efficiently.

If you find that you have any trouble with assembly or missing or damaged parts please contact the seller.

Cam Lock Assembly Instructions

	<p>Diagram A</p> <p>Insert Cam Bolt into hole as shown in diagram A.</p>
	<p>Diagram B</p> <p>Make sure not to insert the Cam Bolt too deep as shown in figure B as this will cause the Cam Lock to be misaligned and unable to interlock properly.</p>
	<p>Diagram C</p> <p>Also avoid inserting the Cam Bolt too close to the surface of the hole as shown in figure C, as this will cause the Cam Lock to be too loose, and not interlock properly.</p>
	<p>Connect the panels together.</p>
	<p>ARROW SIGN</p> <p>Insert the Cam Lock so the side opening fits over the head of the Cam Bolt.</p>
	<p>To tighten the Cam Lock, turn it clockwise on half a turn with a flat screwdriver. <i>*Do not use an automatic screwdriver as it may bend or break if too much power is imposed.</i></p>

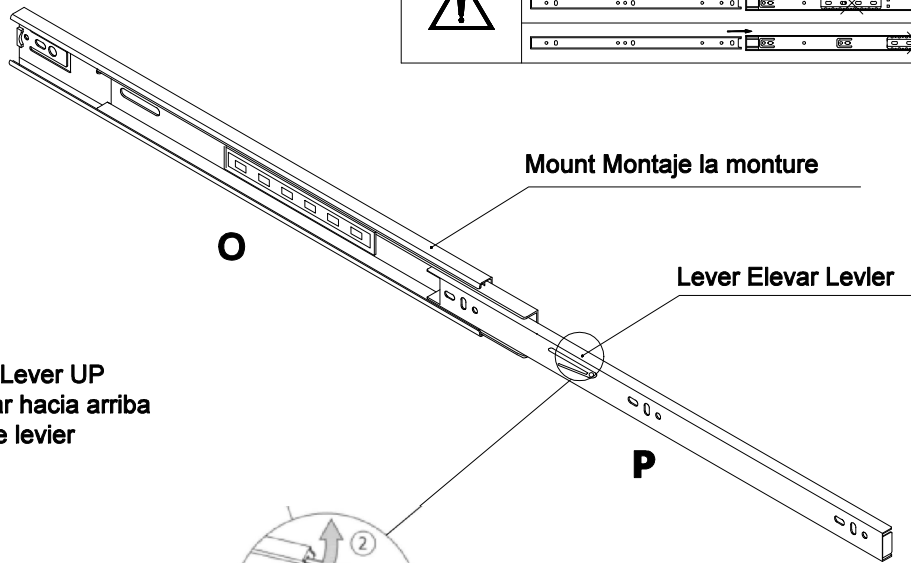
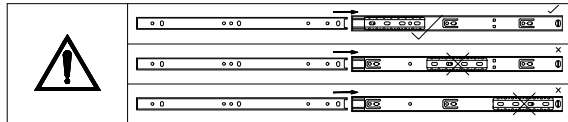
**Slides Must Be Separated Before Assembly.
After Separated, Set Aside Until Needed for Assembly.**

Las diapositivas deben separarse antes del montaje.
Después de la separación, déjelo a un lado hasta que sea necesario.

Les glissières doivent être séparées avant l'assemblage.
Après la séparation, mettez de côté jusqu'au moment de l'assemblage.

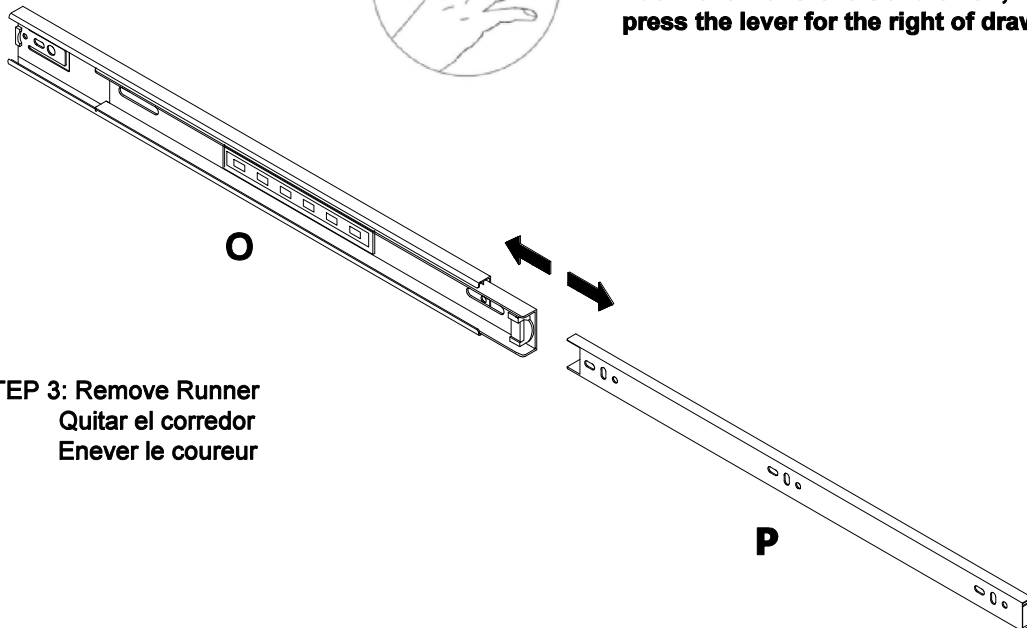
**Pay attention when connecting !
The sliding module must be at the front end.**

**STEP 1 : Extend Slide
Extender la diapositiva**



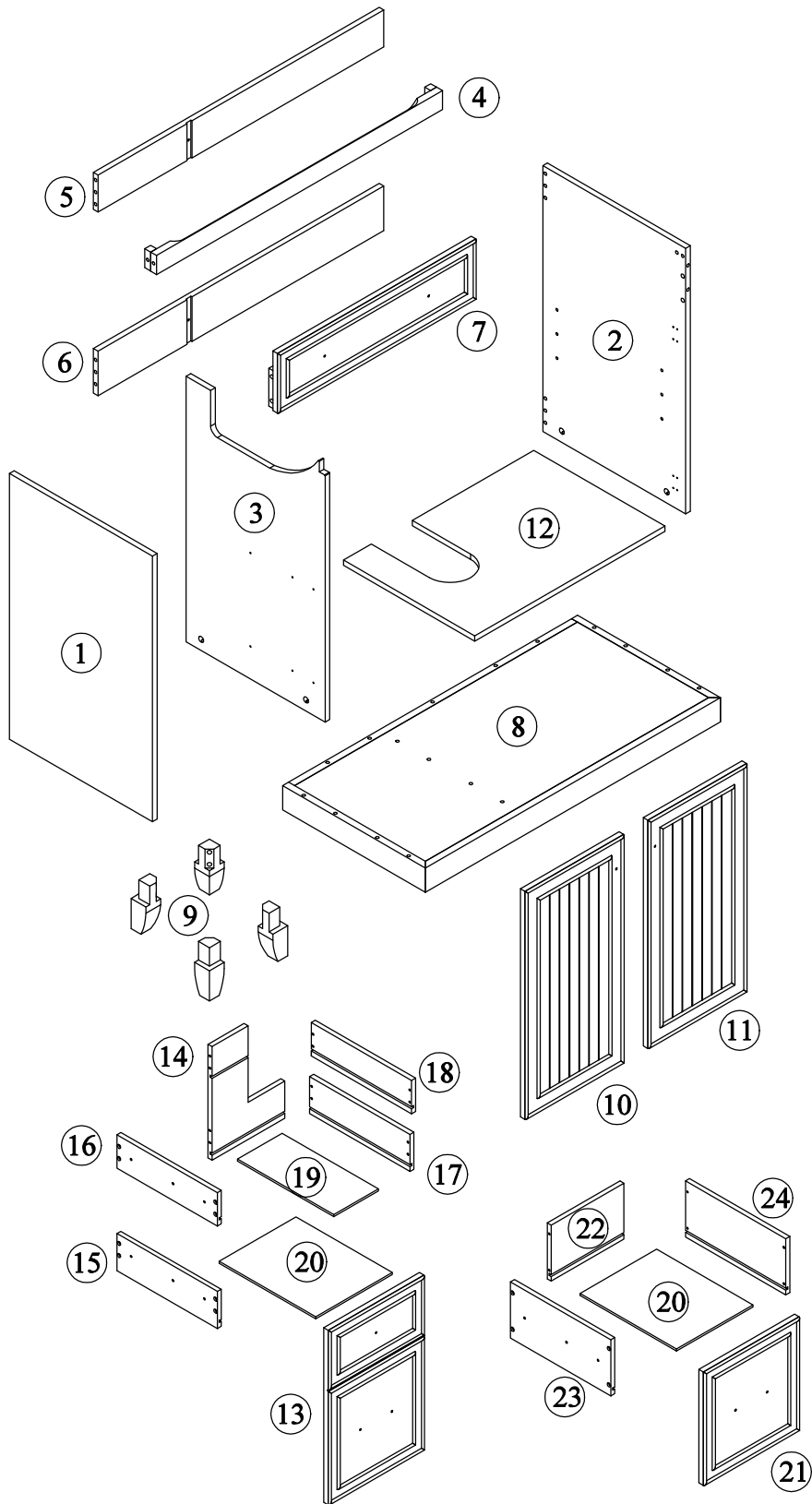
**STEP 2: Push Lever UP
Empujar hacia arriba
Lever le levier**

**Push lever for the left of drawer ,
press the lever for the right of drawer.**




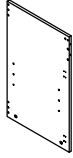
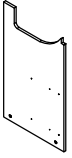
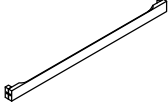
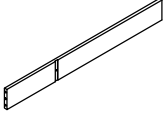
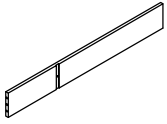
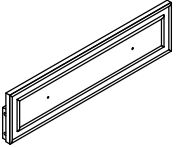
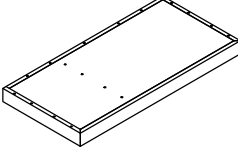
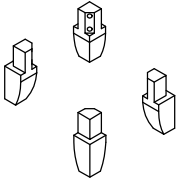
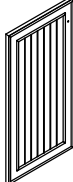
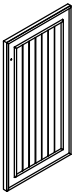
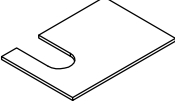
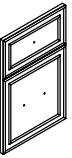
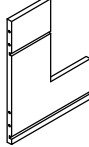
**STEP 3: Remove Runner
Quitar el corredor
Enlever le coureur**

Detail View - CABINET

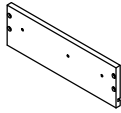
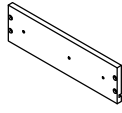
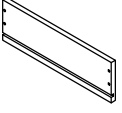
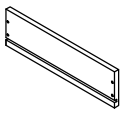
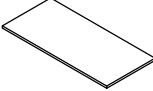
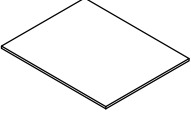
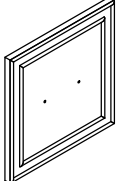
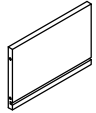
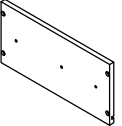
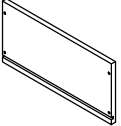


Identifying the Hardware-Identify the hardware using the illustrations below.




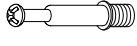


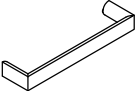


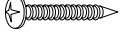

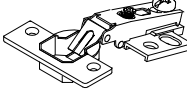
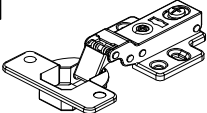
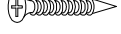
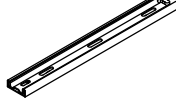
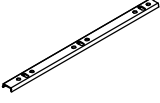
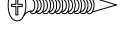
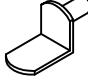


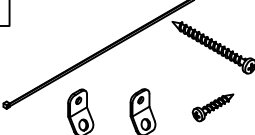
Part List

<p>1</p>	 <p>Side Panel (L) - 1pc</p>	<p>2</p>  <p>Side Panel (R) - 1pc</p>
<p>3</p>	 <p>Mid Panel - 1pc</p>	<p>4</p>  <p>Top Bar Front - 1pc</p>
<p>5</p>	 <p>Top Panel Rear - 1pc</p>	<p>6</p>  <p>Bottom Panel Rear - 1pc</p>
<p>7</p>	 <p>Drawer Fake - 1pc</p>	<p>8</p>  <p>Bottom Frame - 1pc</p>
<p>9</p>	 <p>Cabinet Feet - 4pcs</p>	<p>10</p>  <p>Cabinet Door (L) - 1pc</p>
<p>11</p>	 <p>Cabinet Door (R) - 1pc</p>	<p>12</p>  <p>Adjustable Shelf - 1pc</p>
<p>13</p>	 <p>Top Drawer Face - 1pc</p>	<p>14</p>  <p>Top Drawer Back Panel - 1pc</p>

Part List

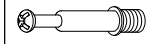
<p>15</p>  <p>Top Drawer Side Panel (L-A) - 1pc</p>	<p>16</p>  <p>Top Drawer Side Panel (L-B) - 1pc</p>
<p>17</p>  <p>Top Drawer Side Panel (R-A) - 1pc</p>	<p>18</p>  <p>Top Drawer Side Panel (R-B) - 1pc</p>
<p>19</p>  <p>Bottom Drawer Panel (A) - 1pc</p>	<p>20</p>  <p>Bottom Drawer Panel (B) - 2pcs</p>
<p>21</p>  <p>Bottom Drawer Face - 1pc</p>	<p>22</p>  <p>Bottom Drawer Back Panel - 1pc</p>
<p>23</p>  <p>Bottom Drawer Side Panel (L) - 1pc</p>	<p>24</p>  <p>Bottom Drawer Side Panel (R) - 1pc</p>

Hardware List

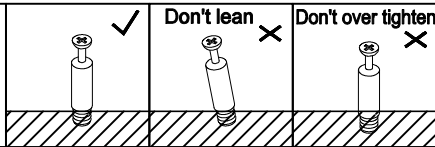
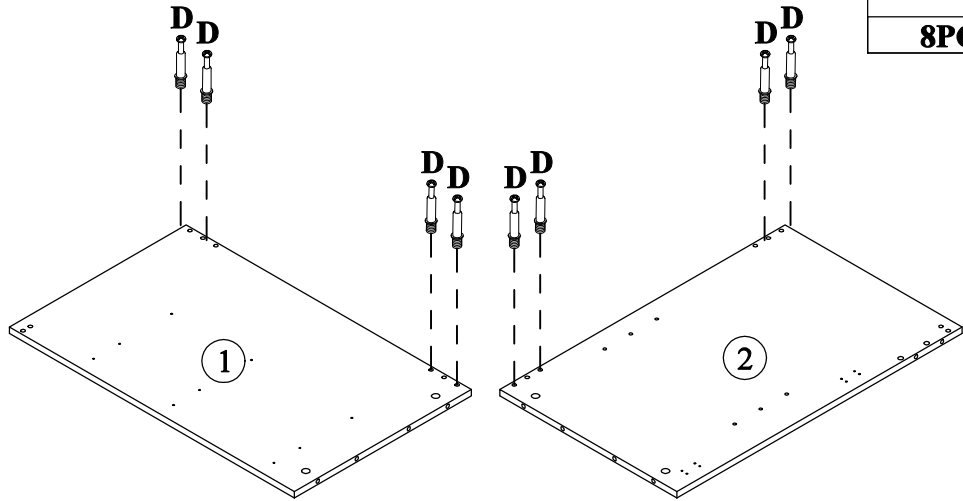
<p>A</p>  <p>$\phi 13 \times 1/4" \times 28 \text{mm}$</p> <p>Hex-Head bolts(6pcs)</p>	<p>B</p>  <p>$\phi 13 \times 1/4" \times 38 \text{mm}$</p> <p>Hex-Head bolts(8pcs)</p>	<p>C</p>  <p>$\phi 1/4" \times 16 \times 1 \text{mm}$</p> <p>Washer(14pcs)</p>
<p>D</p>  <p>$\phi 6 \times 35 \text{mm}$</p> <p>Three in one bolts(17pcs)</p>	<p>E</p>  <p>$\phi 14.5 \times 12 \text{mm}$</p> <p>Three in one lock(17pcs)</p>	<p>F</p>  <p>Handle (5pcs)</p>
<p>G</p>  <p>Handle (2pcs)</p>	<p>H</p>  <p>$\phi 5/32" \times 20 \text{mm}$</p> <p>Handle screw (6pcs)</p>	<p>I</p>  <p>$\phi 5/32" \times 32 \text{mm}$</p> <p>Handle screw (3pcs)</p>
<p>J</p>  <p>$\phi 8 \times \phi 4 \times 32 \text{mm}$</p> <p>Round head screw(24pcs)</p>	<p>K</p>  <p>$\phi 8 \times \phi 4 \times 25 \text{mm}$</p> <p>Round head screw(2pcs)</p>	<p>L</p>  <p>Damping hinge (2pcs)</p>
<p>M</p>  <p>Damping hinge (2pcs)</p>	<p>N</p>  <p>$\phi 7 \times \phi 3.5 \times 15 \text{mm}$</p> <p>Flat head screw(24pcs)</p>	<p>O</p>  <p>$\phi 300 \times 35 \text{mm}$</p> <p>Slide rails (5pcs)</p>
<p>P</p>  <p>$\phi 298 \times 18 \text{mm}$</p> <p>Slide rails (5pcs)</p>	<p>Q</p>  <p>$\phi 6 \times \phi 3 \times 12 \text{mm}$</p> <p>Flat head screw (30pcs)</p>	<p>R</p>  <p>Laminate pad(4pcs)</p>
<p>S</p>  <p>$\phi 8 \times 30 \text{mm}$</p> <p>Wood dowel(16pcs)</p>	<p>T</p>  <p>4mm</p> <p>Allen key(1pc)</p>	<p>U</p>  <p>Anti fall hardware(1set)</p>

STEP: 1

D



8PCS



STEP: 2

O

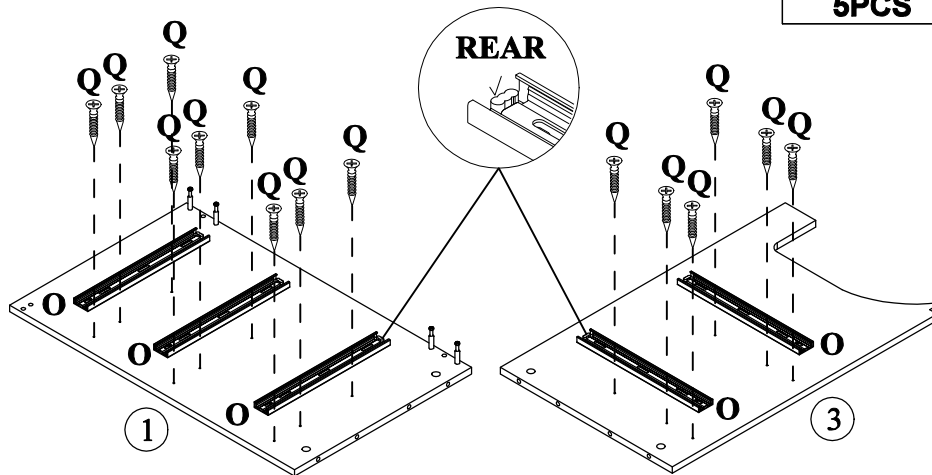


5PCS

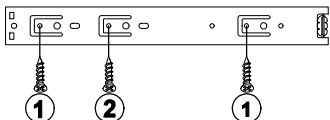
Q



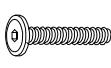


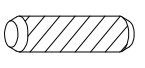
15PCS

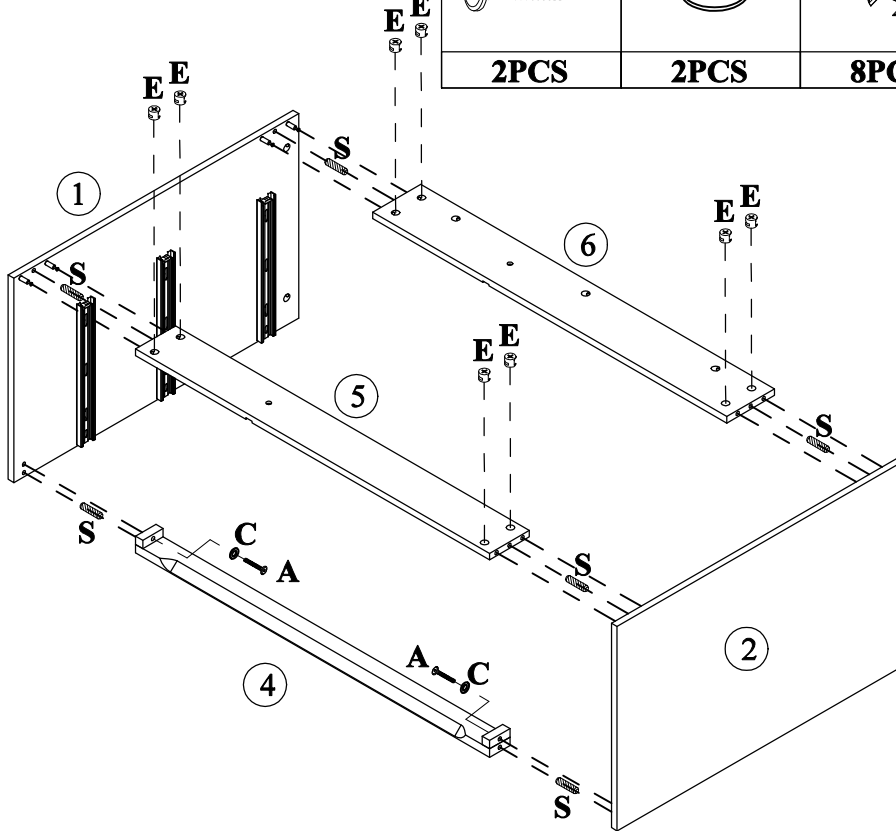


POSITION OF SCSEW




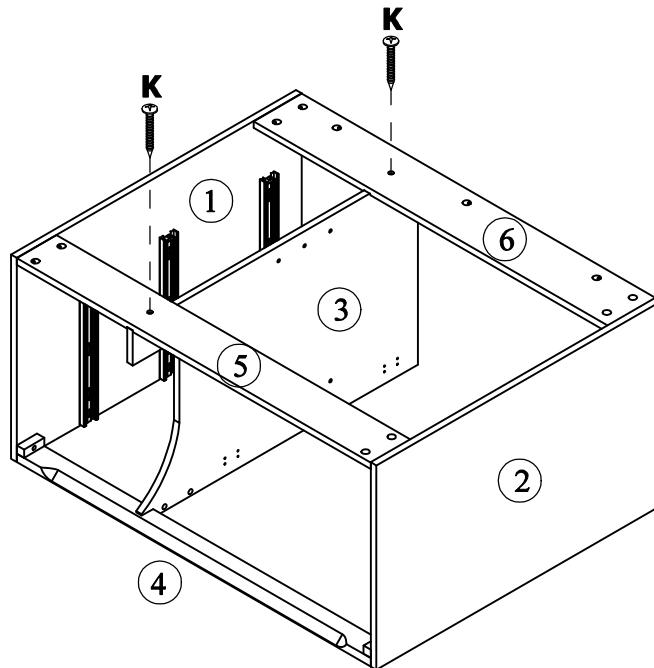
STEP: 3

A	C	E	S
			
2PCS	2PCS	8PCS	6PCS

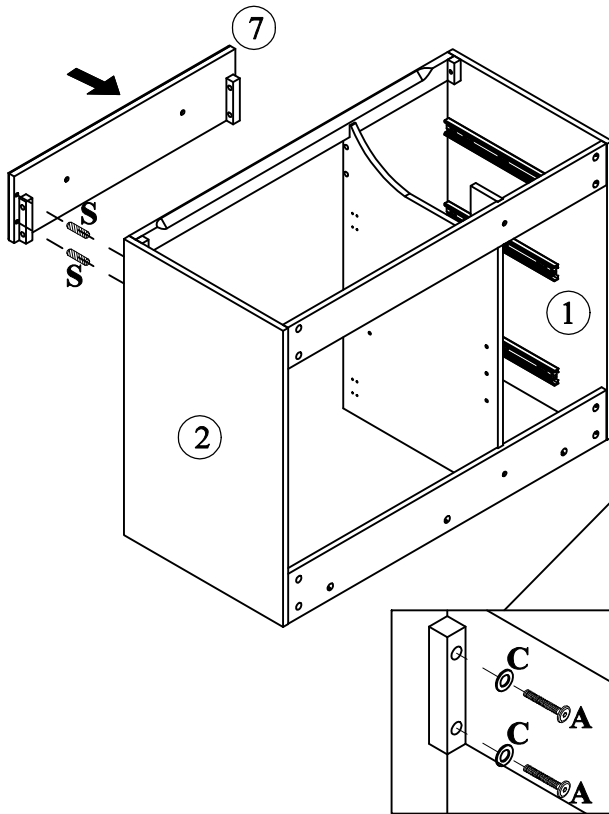




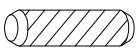
STEP: 4

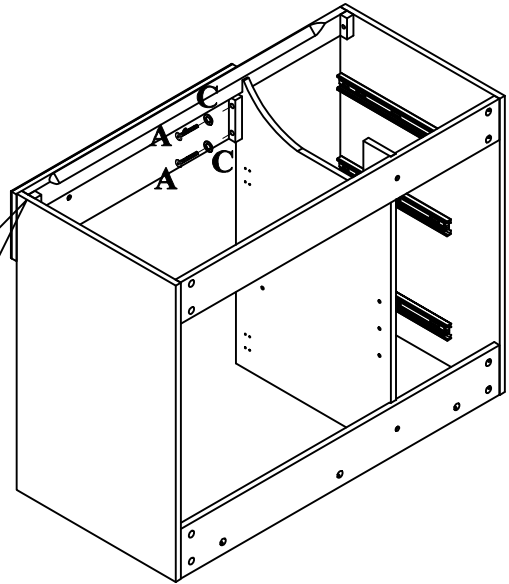
K

2PCS



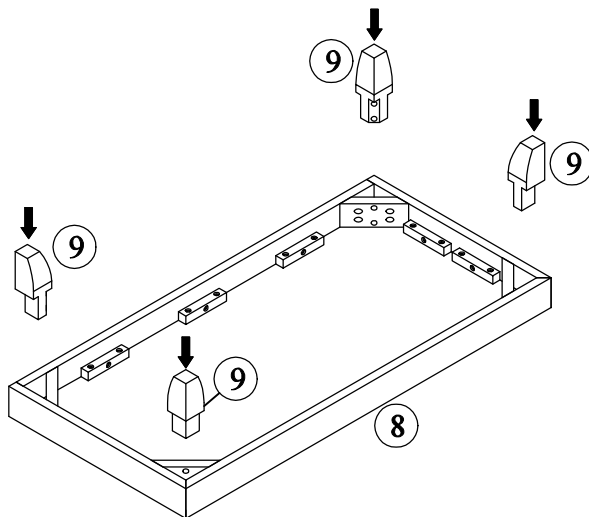
STEP: 5

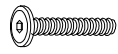



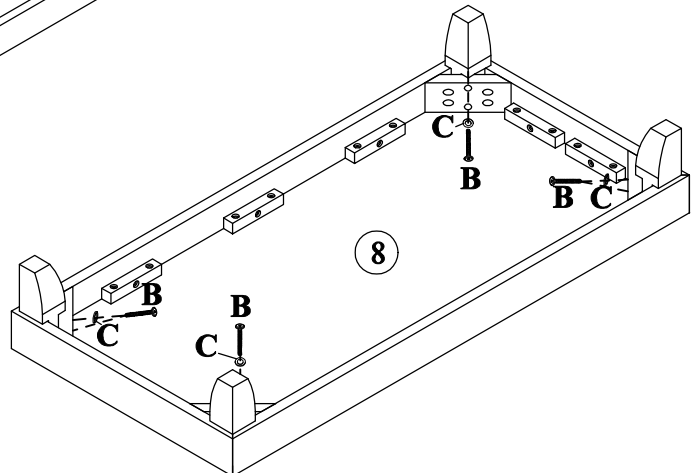
A	C	S
		
4PCS	4PCS	2PCS



STEP: 6



B	C
	
8PCS	8PCS

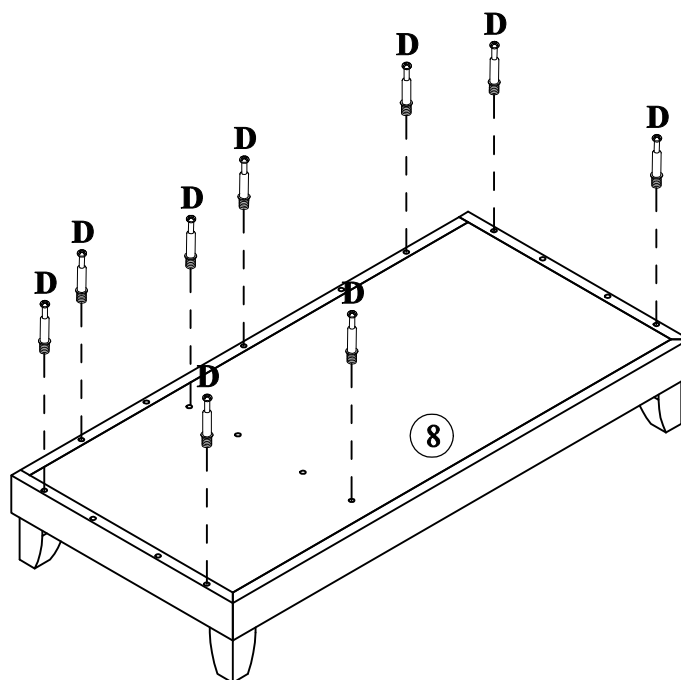


STEP: 7

D



9PCS

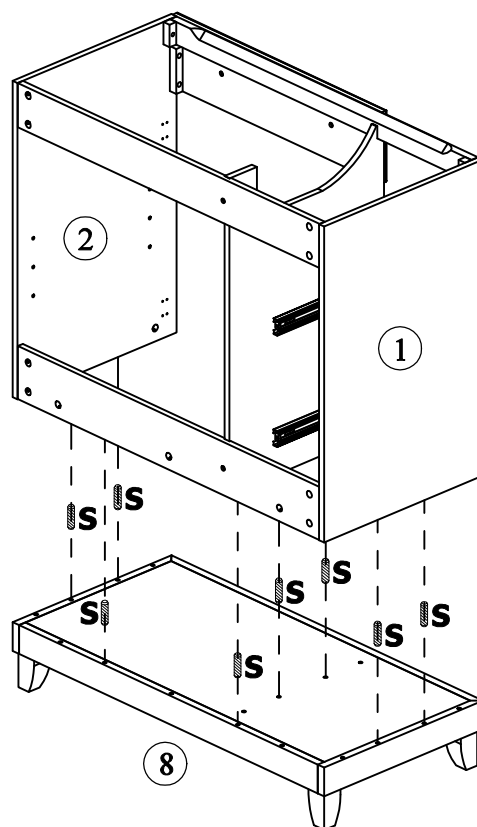


STEP: 8

S



8PCS

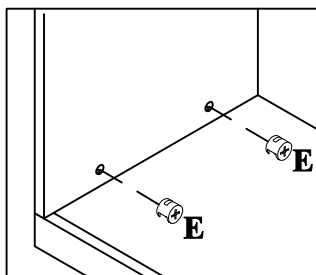
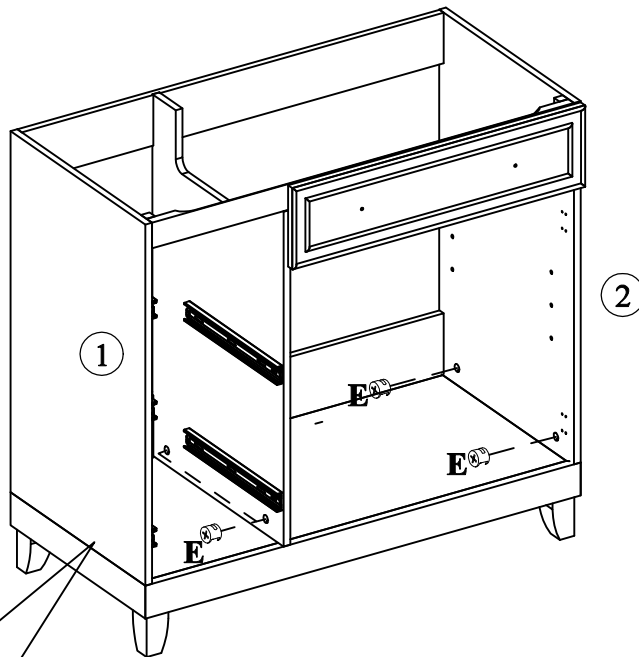
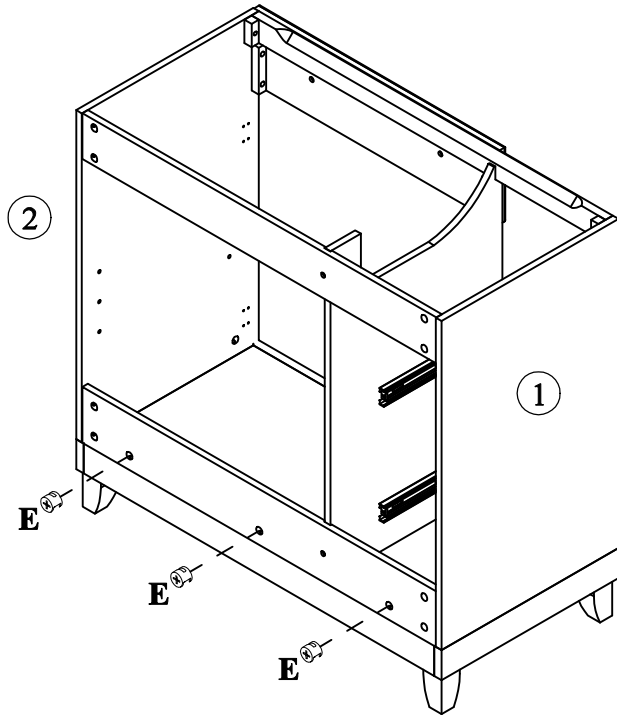


STEP: 9


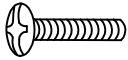
E

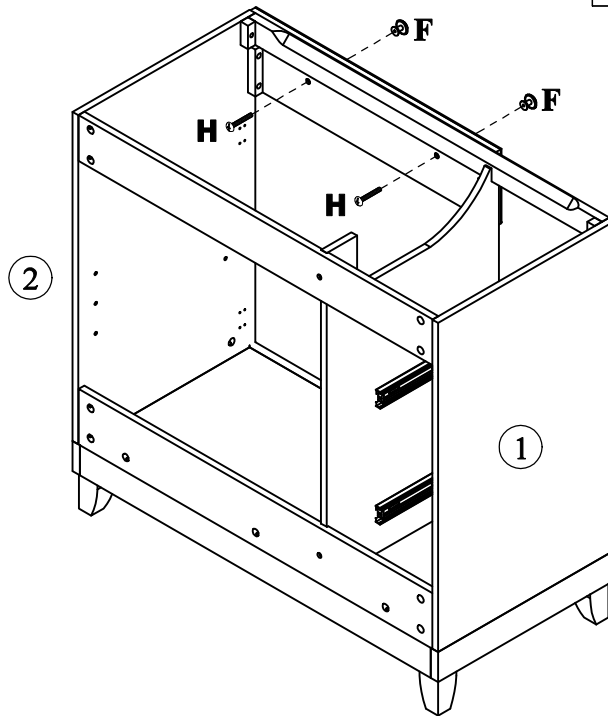


9PCS


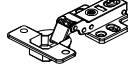



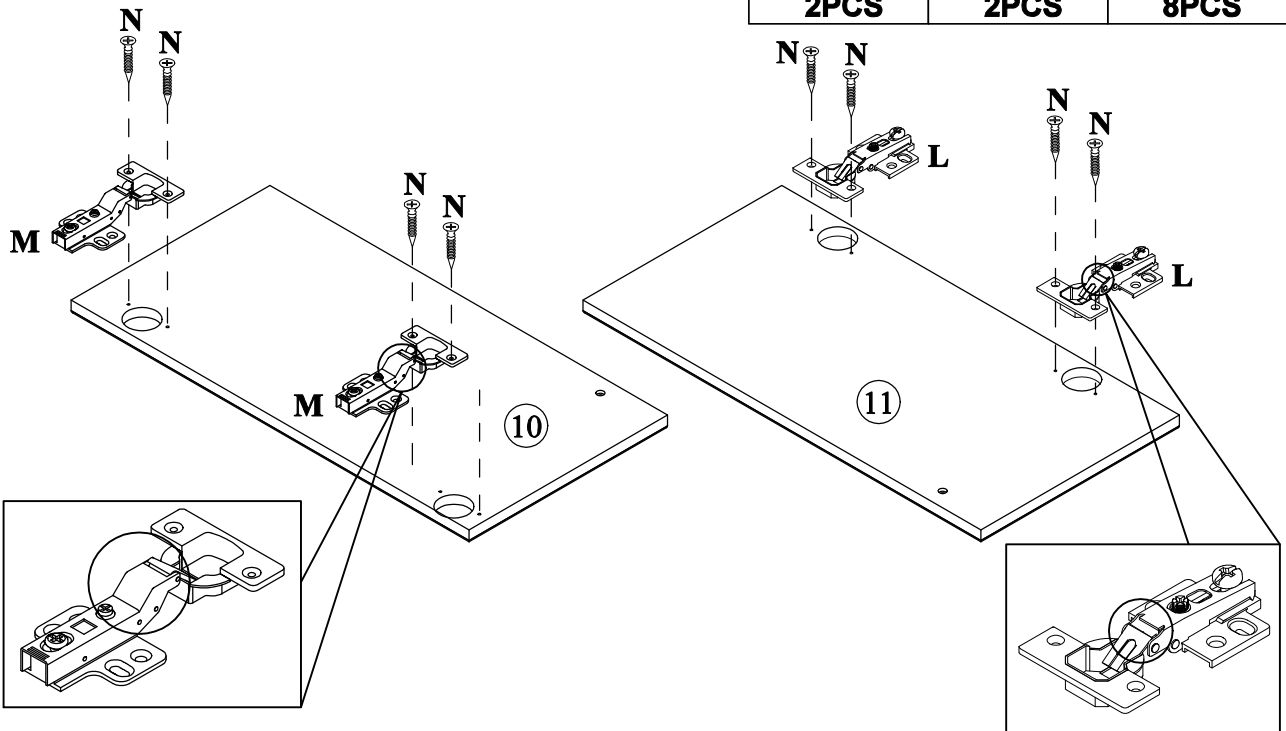
STEP: 10

F		H	
	2PCS		2PCS




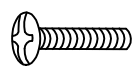

STEP: 11

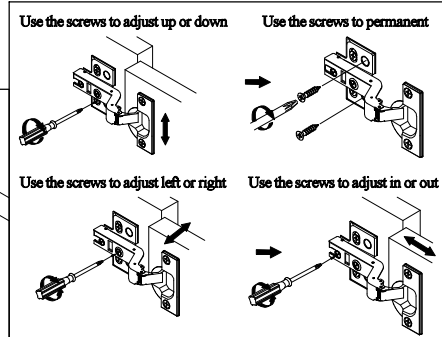
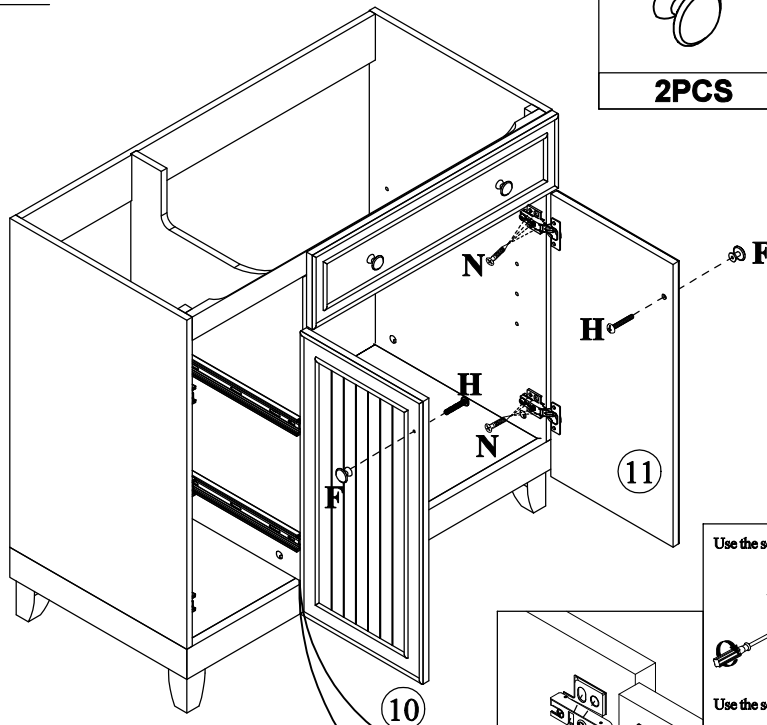
L		M		N	
	2PCS		2PCS		8PCS



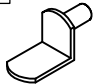
* Please note that hinges M and L are different, please do not install them backwards.

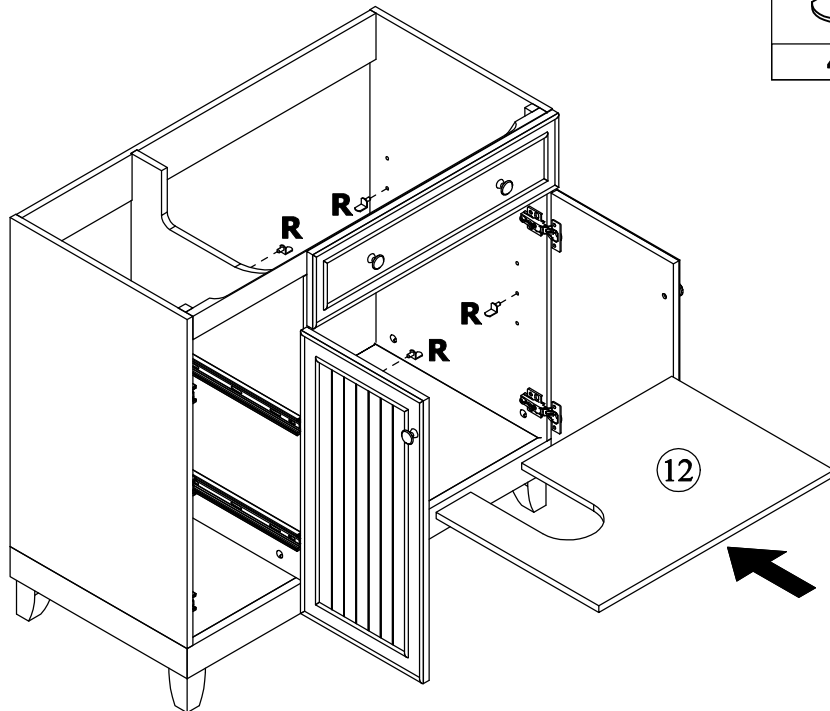
STEP: 12

F	H	N
		
2PCS	2PCS	16PCS


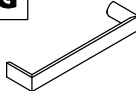
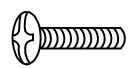


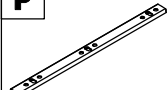
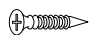


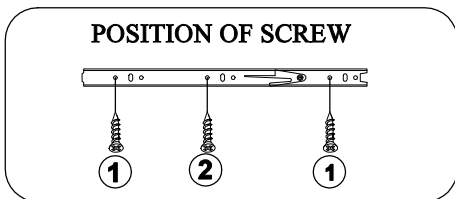
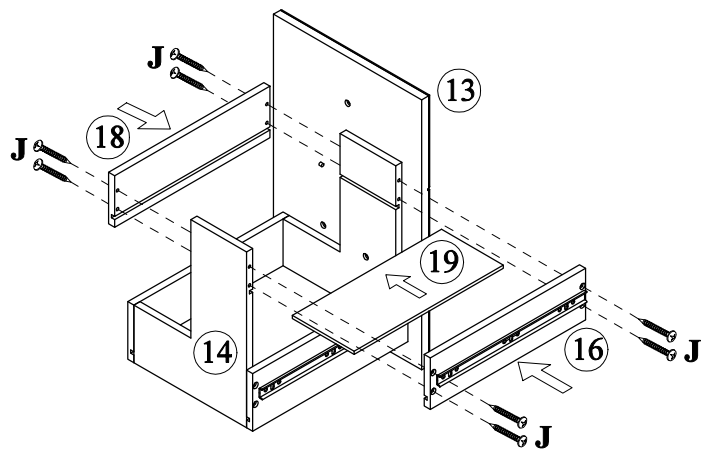
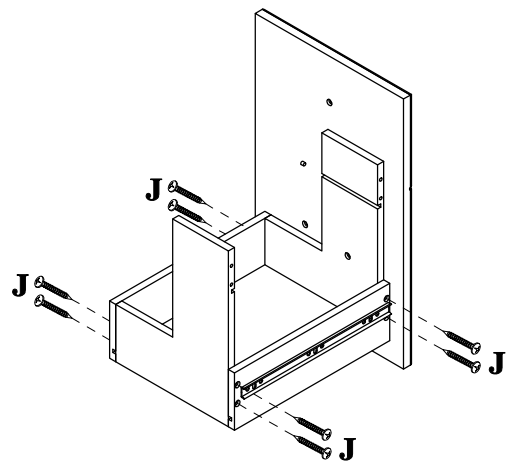
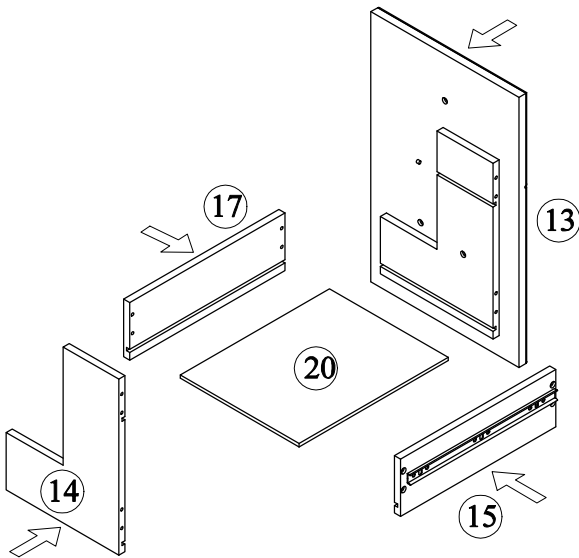
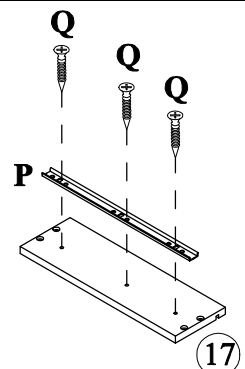
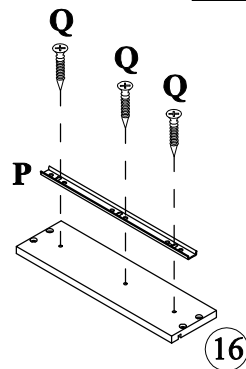
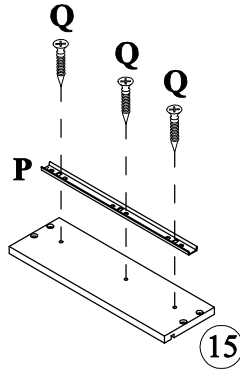
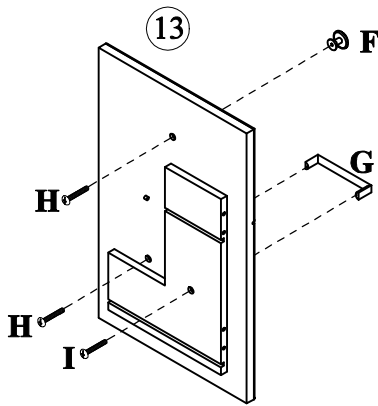
STEP: 13

R

4PCS

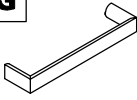


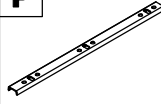
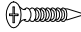


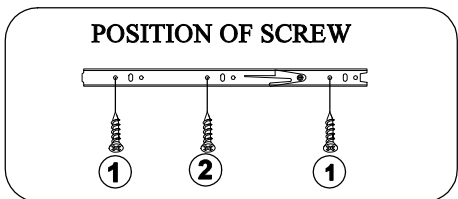
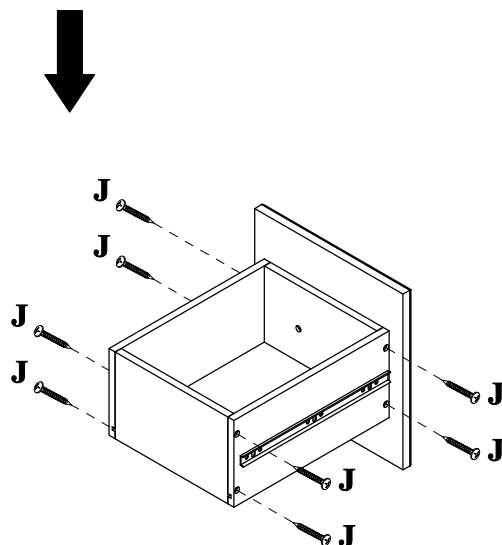
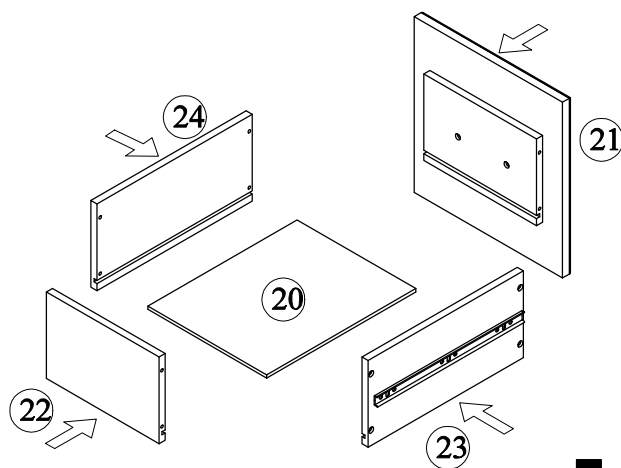
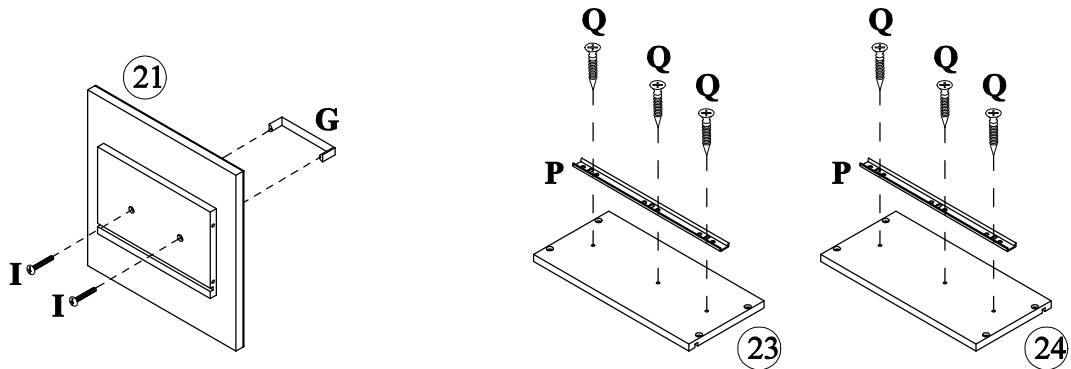
STEP: 14

F 	G 	H 	I 	J 
1PC	1PC	2PCS (5/32" x 20mm)	1PC (5/32" x 32mm)	16PCS
			P 	Q 
			3PCS	9PCS

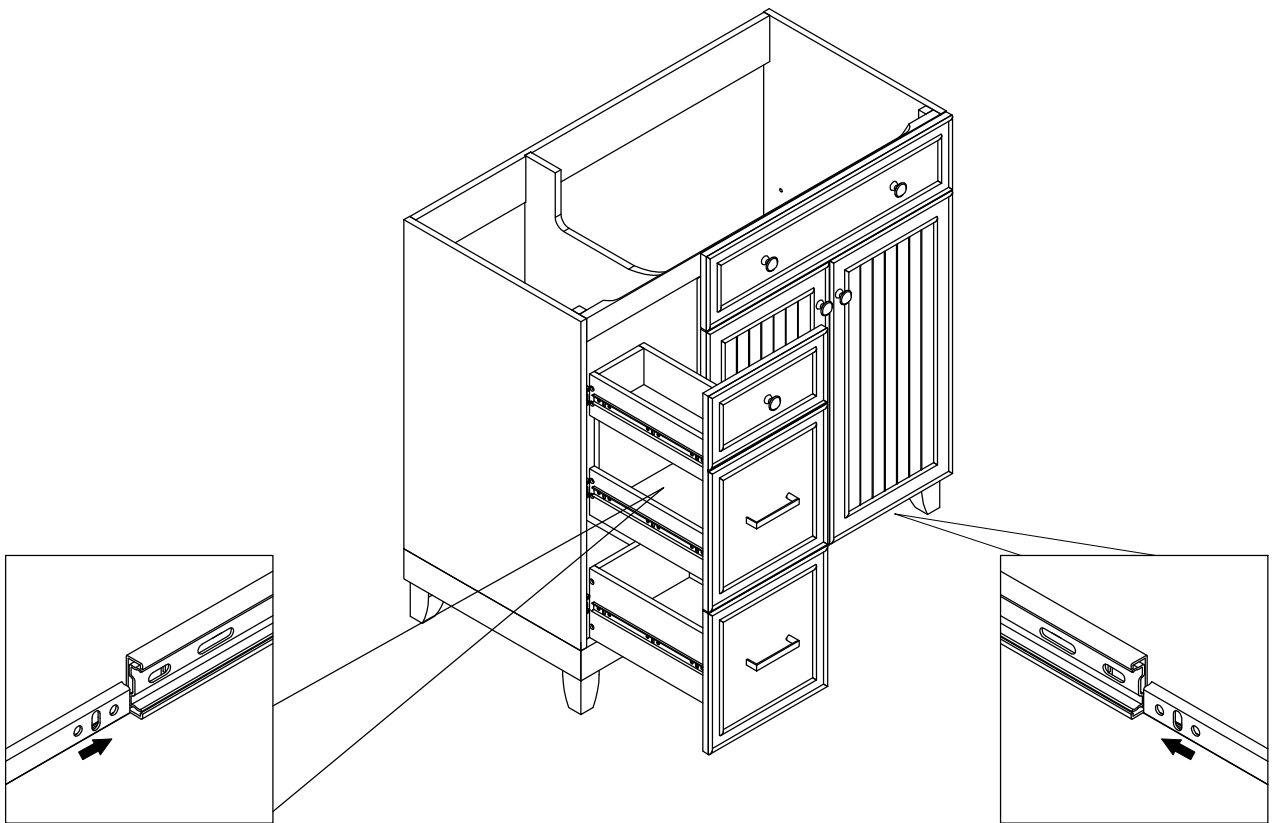


STEP: 15

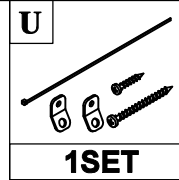
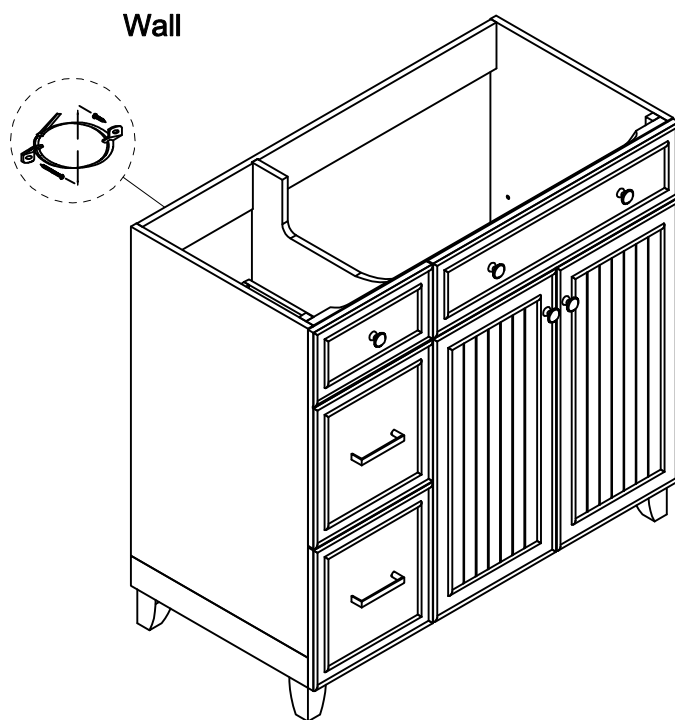
G 	I  (5/32" x 32mm)	J 	P 	Q 
1PC	2PCS	8PCS	2PCS	6PCS



STEP: 16

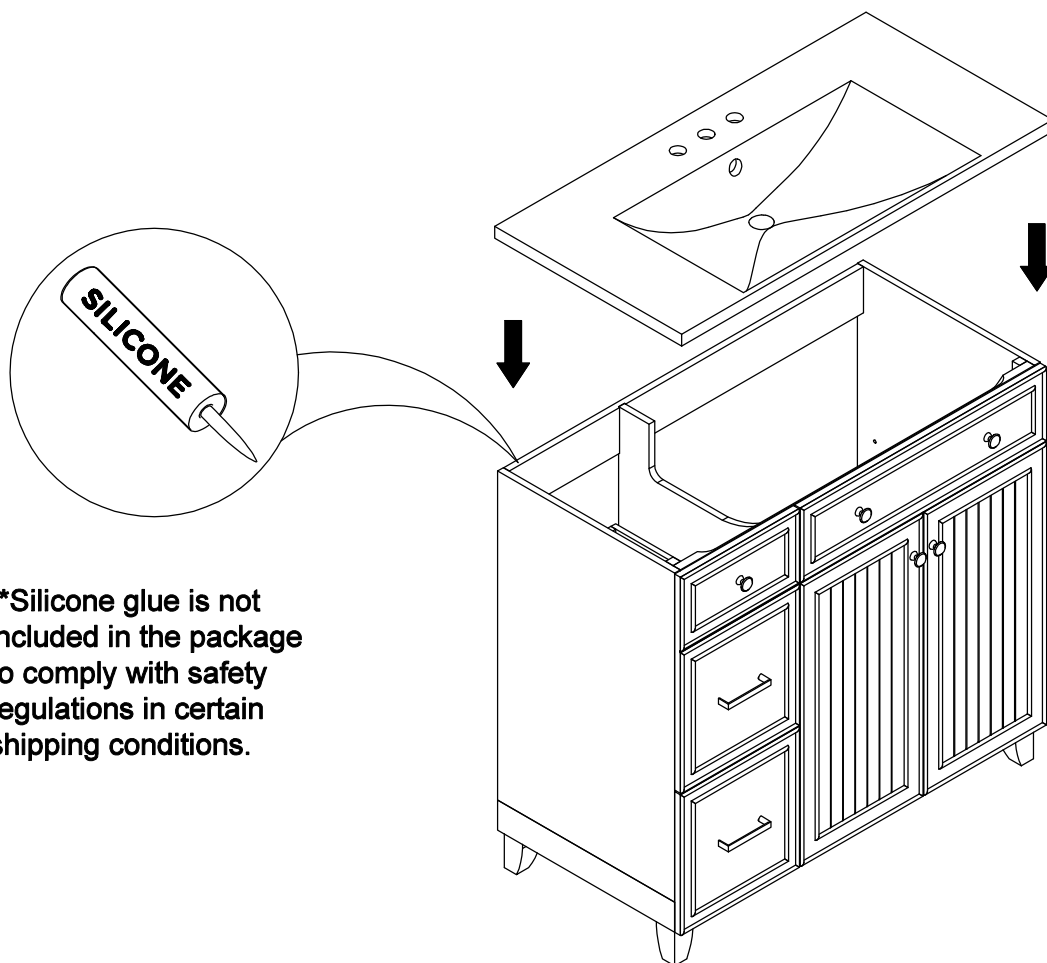


STEP: 17



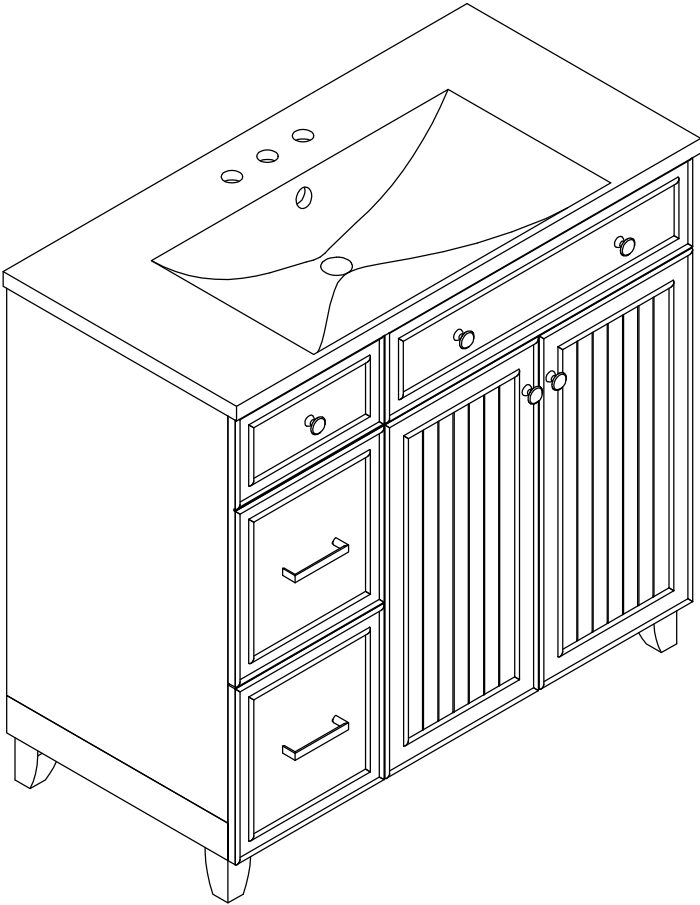
STEP: 18

**Install the sink on the cabinet with glue.
Let stand for 24 hours**



***Silicone glue is not included in the package to comply with safety regulations in certain shipping conditions.**

STEP: 19



HINGE ADJUSTMENTS



1 Sideways / Tilt adjustment

Turn the screw
clockwise to move the door further away from
the side of the cabinet
anticlockwise to move the door closer to the
side of the cabinet



2 4 Height adjustment

While supporting the weight of the door, turn the
screws
clockwise to move the door up
anticlockwise to move the door down



3 Forward and back adjustment

If the gap between the back of the door and the
cabinet is too small, and the door may not close
fully. Turn the screw
clockwise to decrease the gap between the
door and the cabinet
anticlockwise to increase the gap between the
door and the cabinet

