



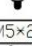




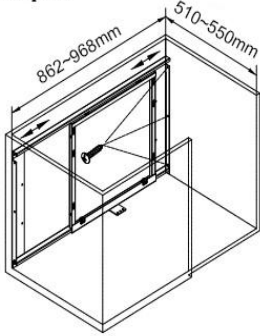


INSTALLATION INSTRUCTION For Magic corner (Right open door)

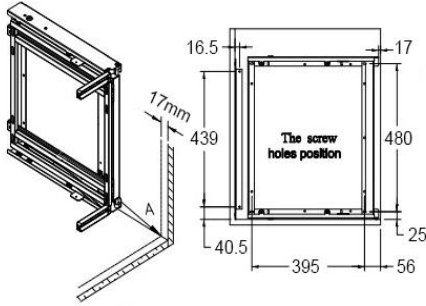
list of fittings

The rear frame 1 set	The side frame 1 set	Swivel arm 1 set	Door mounting bracket 2 set (Dispart left and right)	Limit connection 1 set	M5*12 2 pcs	ST4*16 20 pcs	Big basket 2 pcs	Small basket 2 pcs
			 M5*20 M5*8 M4*16		 M5*20 2 pcs 			

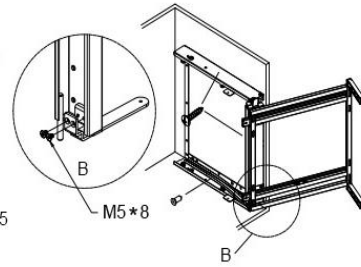
Step 1:Mount the extensible rear slide frame on rear and side panel.



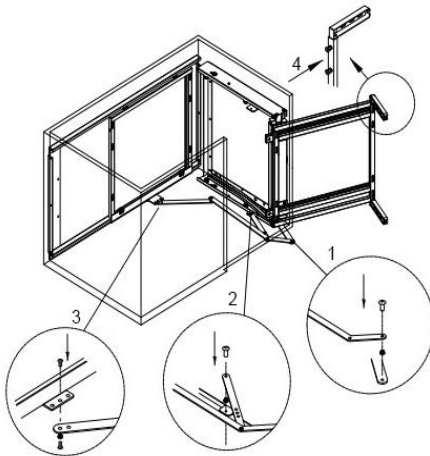
Step 2:Mark a line on side and bottom panel from front edge 7mm, keep the side frame in closed position and aim A point on line.



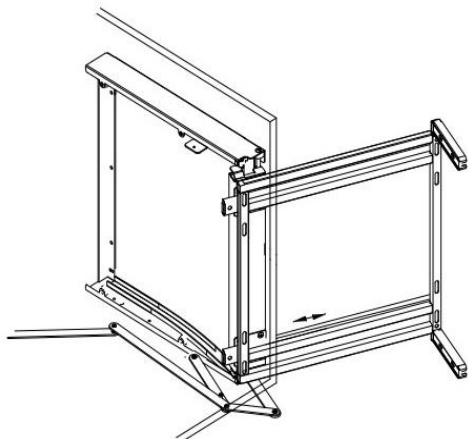
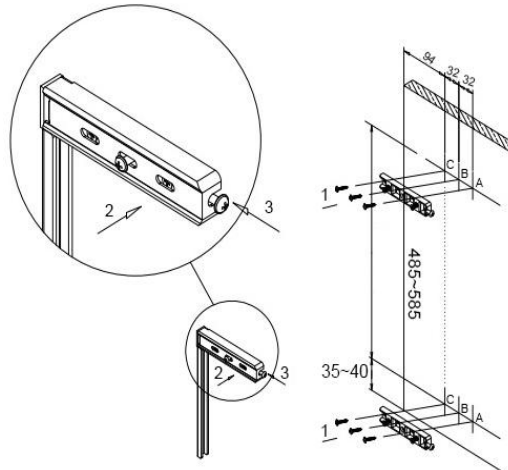
Step 3:Pull-out the side frame in open position, and mounting the side frame on side and bottom panel.



Step 4:Connect side frame and rear slide frame by swivel arm, and firm door mount bracket on pull-out side frame.



Step 5:Mark the screw holes on door panel, and screw two brackets on door panel. Connect door panel with pull-out side frame by door mount bracket.(m/m)



Adjusting closure pitch of cabinet door by the door mounting bracket, then fixup all screws.(Pay attention to assembly swivel arm,for left and right mounted door mirror image)

