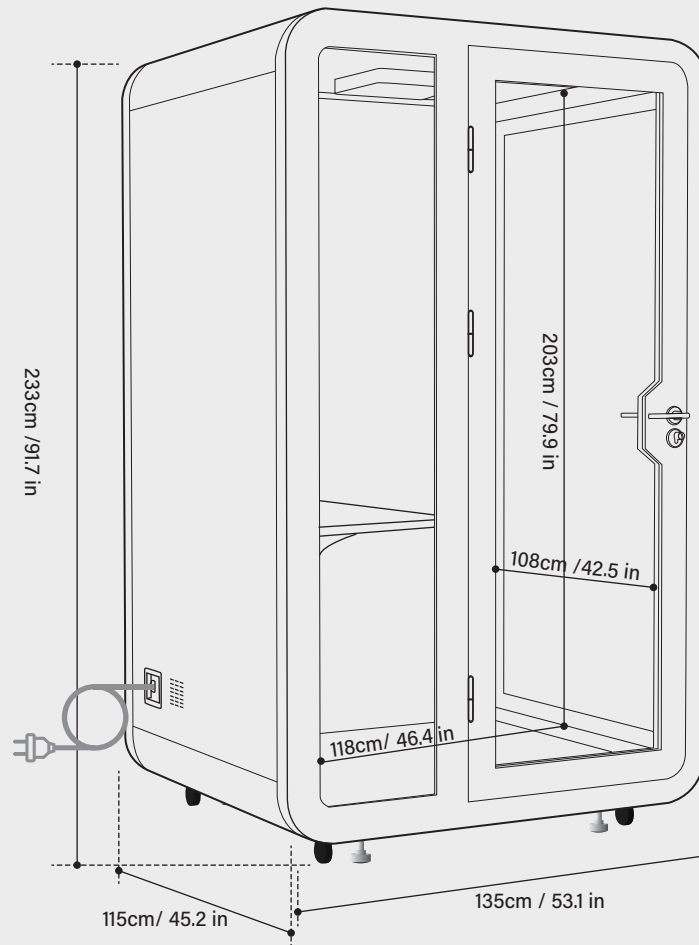


Technical specifications



Performance

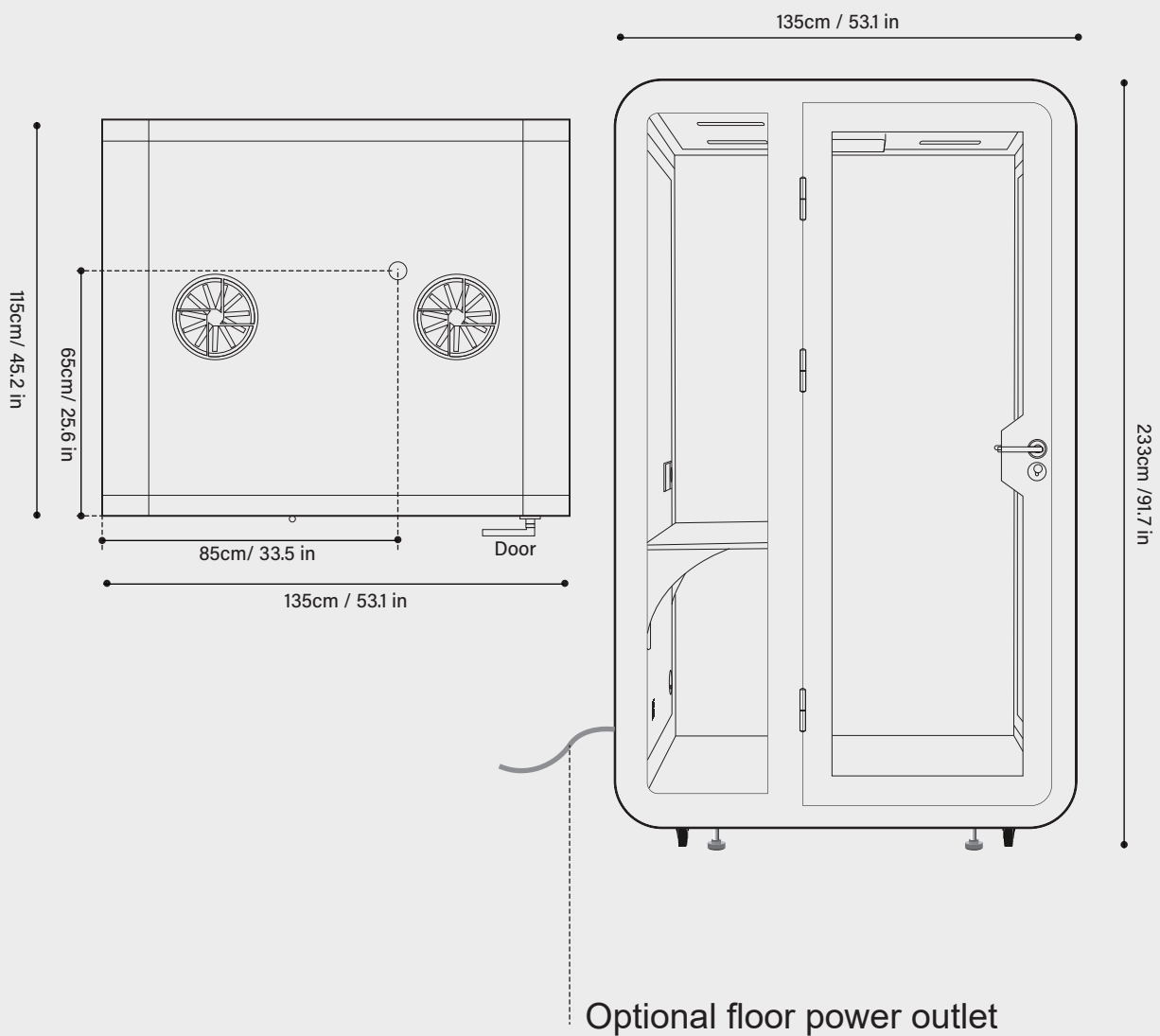
Speech level reduction: 30dB
Maximum airflow: 37Times/H
Low energy consumption: 36W

Sustainable design

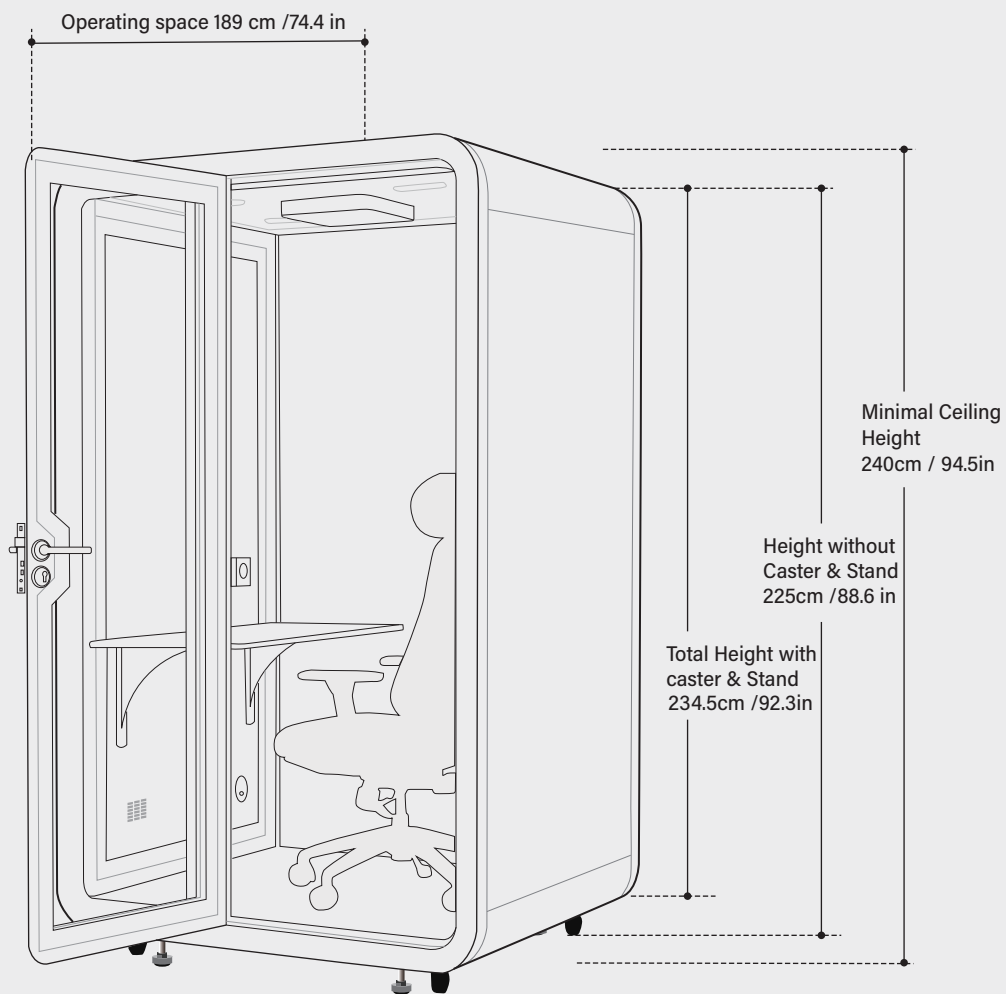
Built to last for decades
Light-weight product structures
Refurbishable & movable



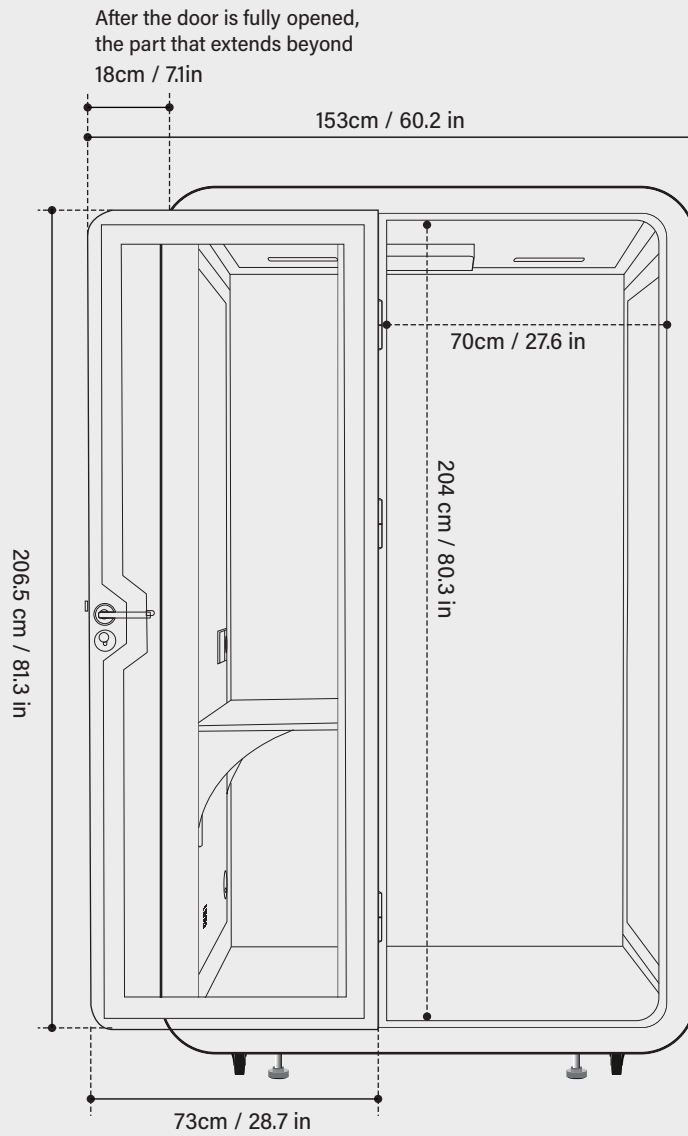
DIMENSIONS TOP EXTERIOR/FIRE SUPPRESSION OPENING & FANS



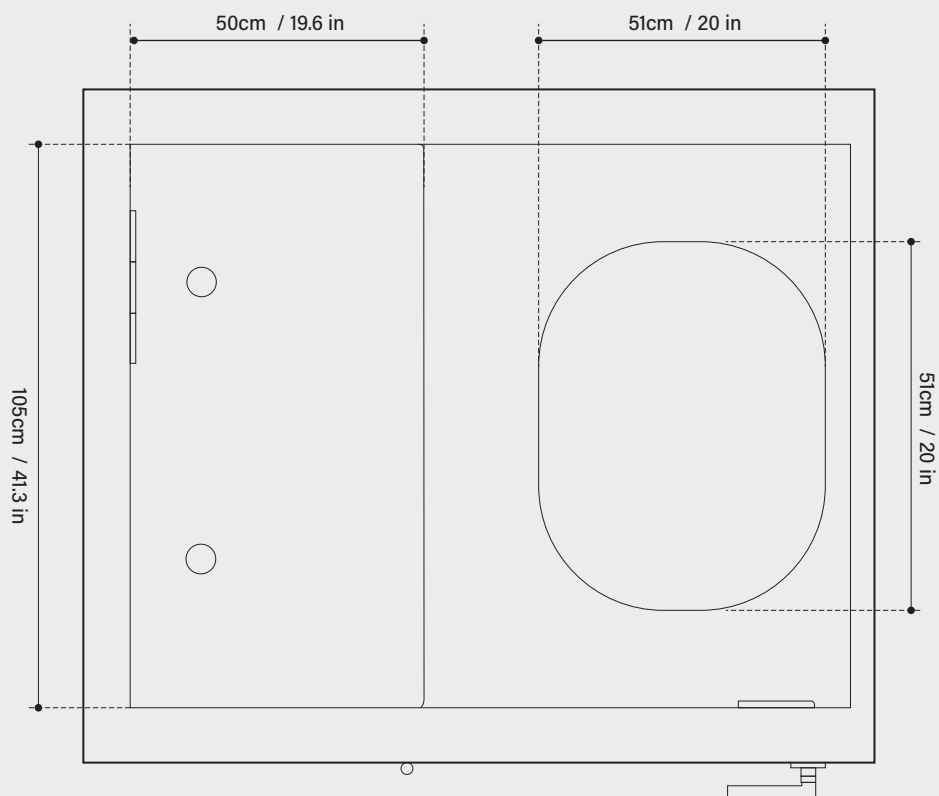
DIMENSIONS /OPERATING SPACE



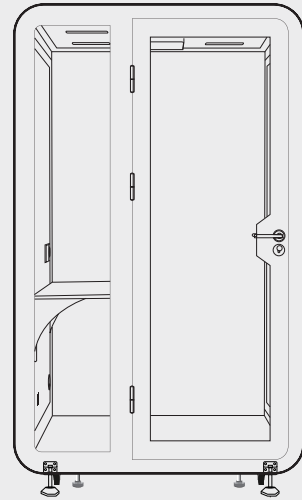
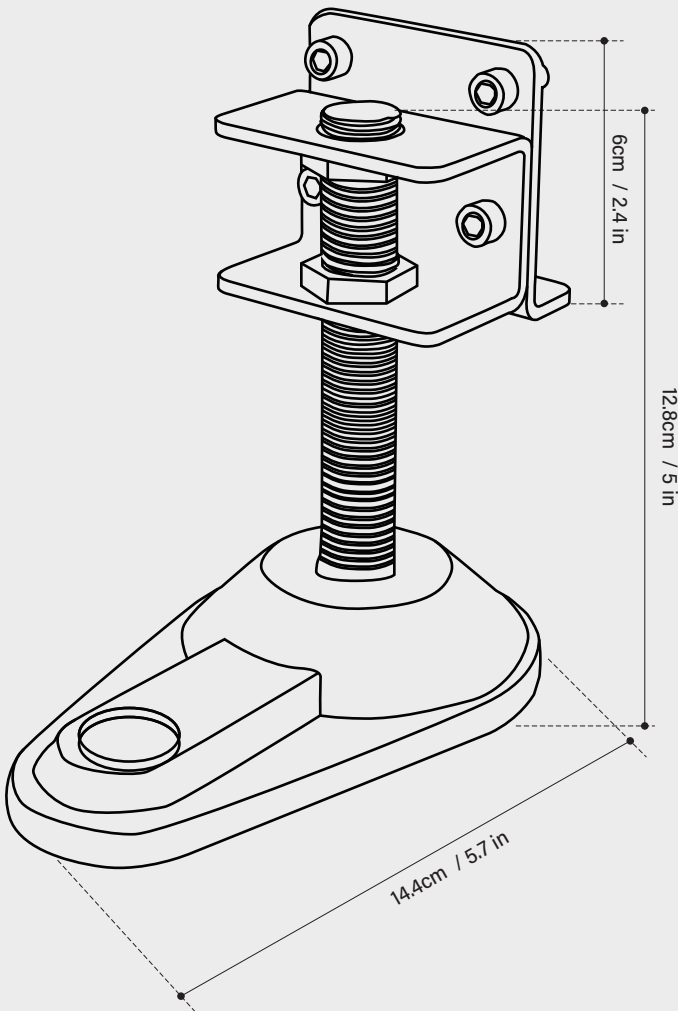
DIMENSIONS /OPERATING SPACE



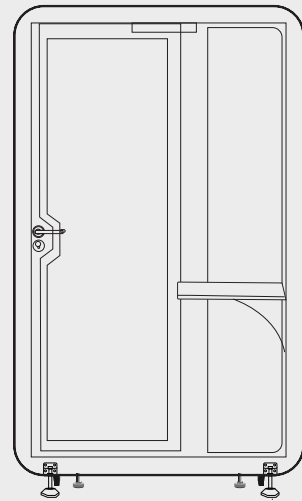
DIMENSIONS / TOP VIEW



ANTI-VIBRATION FOOT PAD



Front View of Seismic Anchor Installed



Back View of Seismic Anchor Installed

Technical specifications



Performance

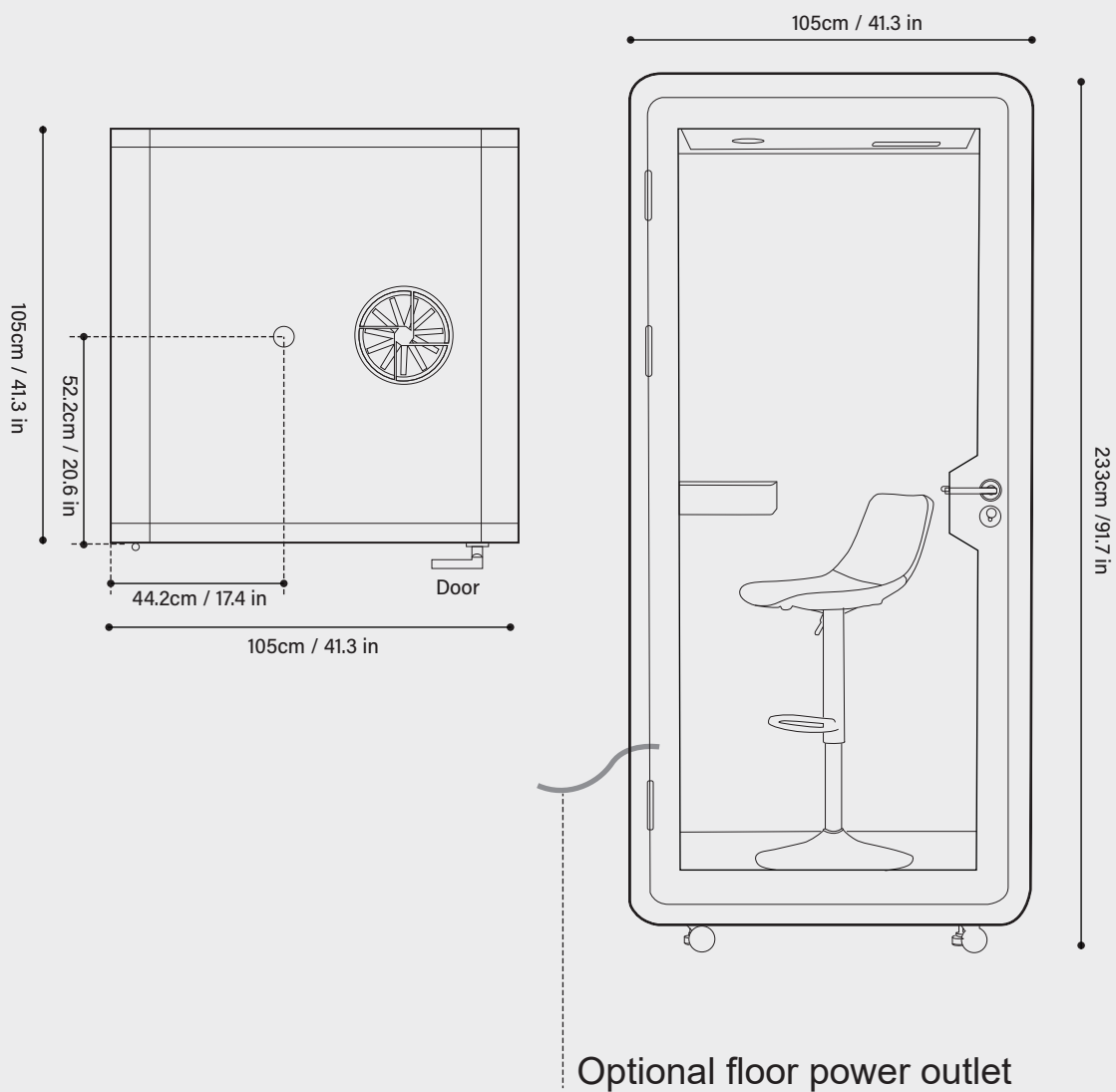
Speech level reduction: 35dB
Maximum airflow: 37Times/H
Low energy consumption: 6W

Sustainable design

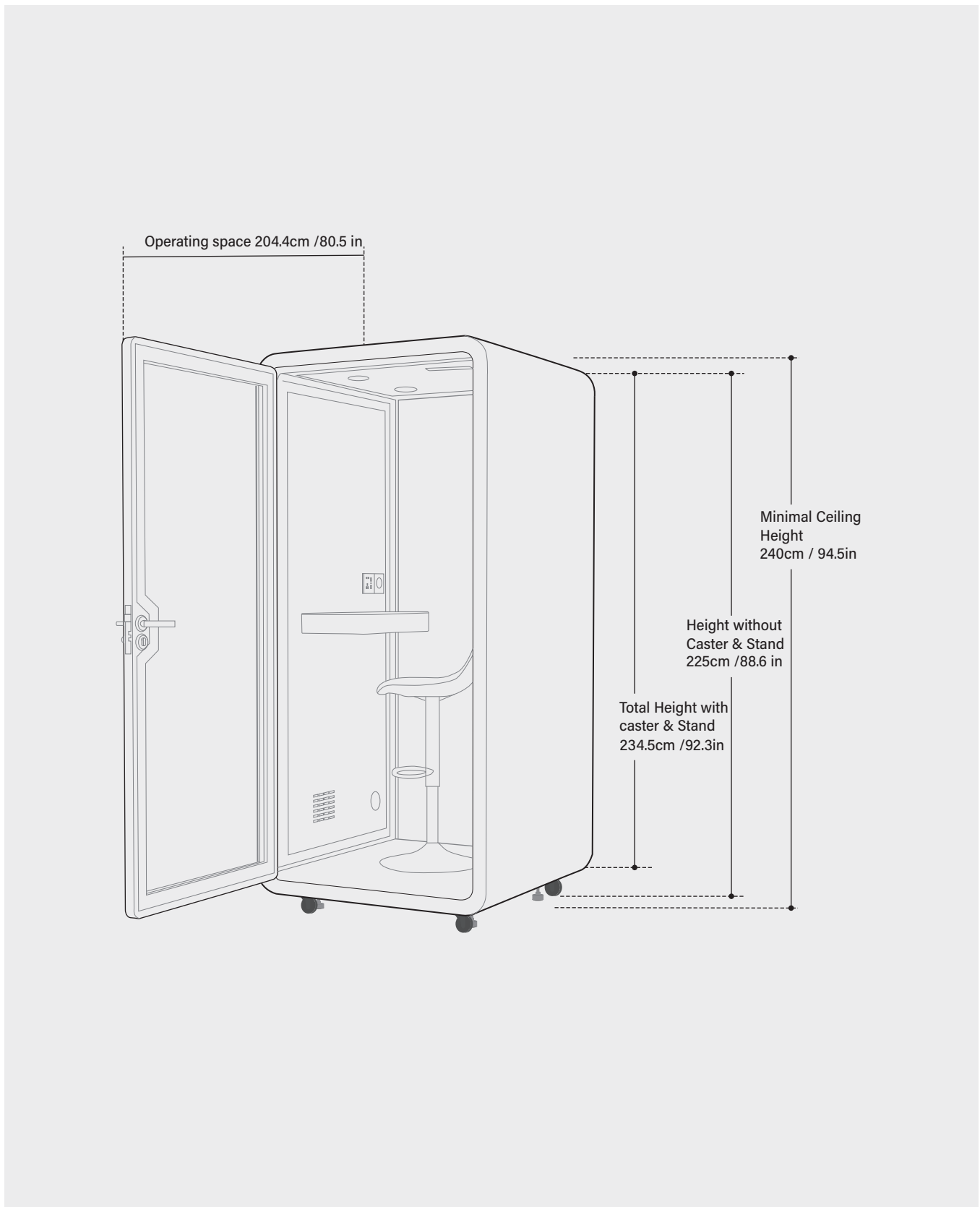
Built to last for decades
Light-weight product structures
Refurbishable & movable



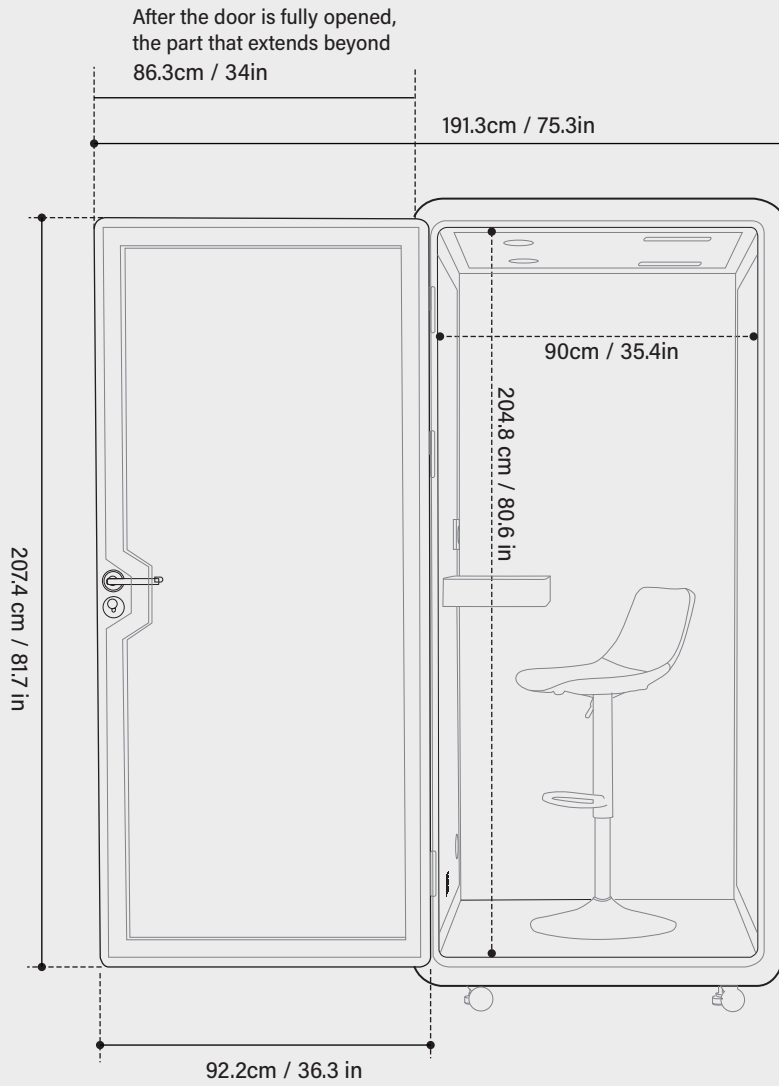
DIMENSIONS TOP EXTERIOR/FIRE SUPPRESSION OPENING & FANS



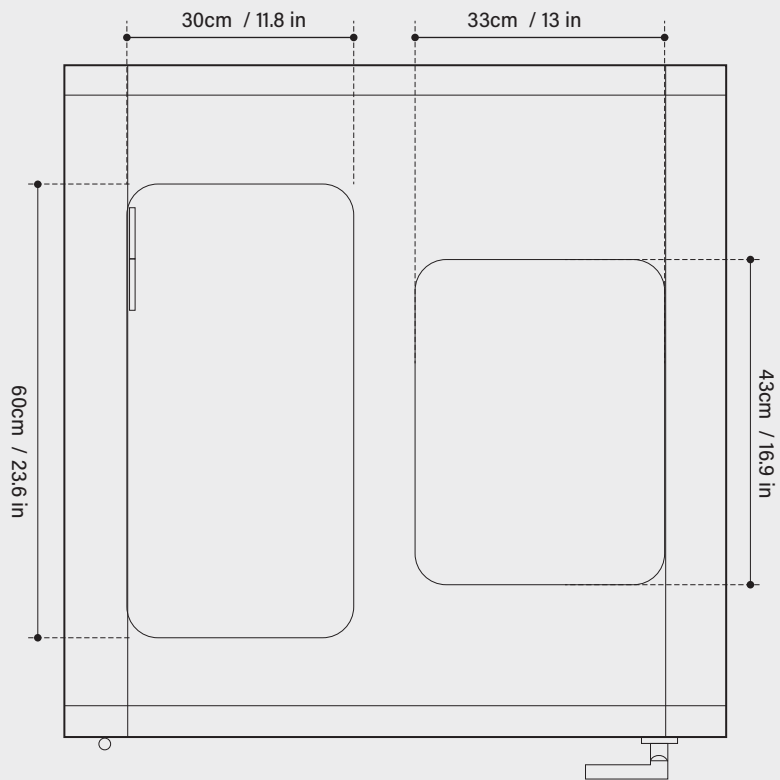
DIMENSIONS /OPERATING SPACE



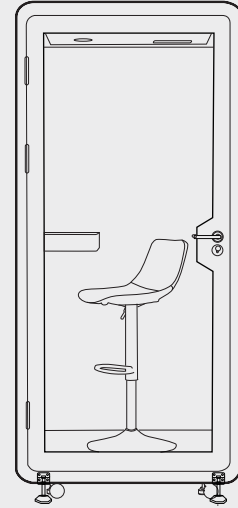
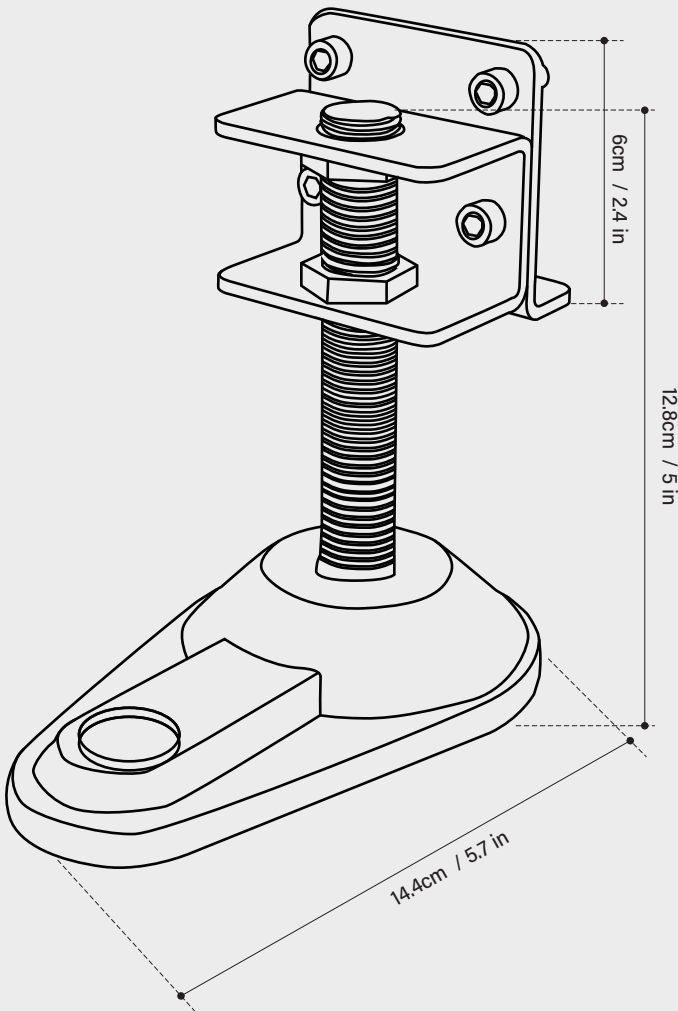
DIMENSIONS /OPERATING SPACE



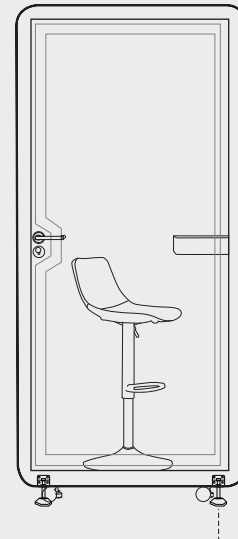
DIMENSIONS / TOP VIEW



ANTI-VIBRATION FOOT PAD

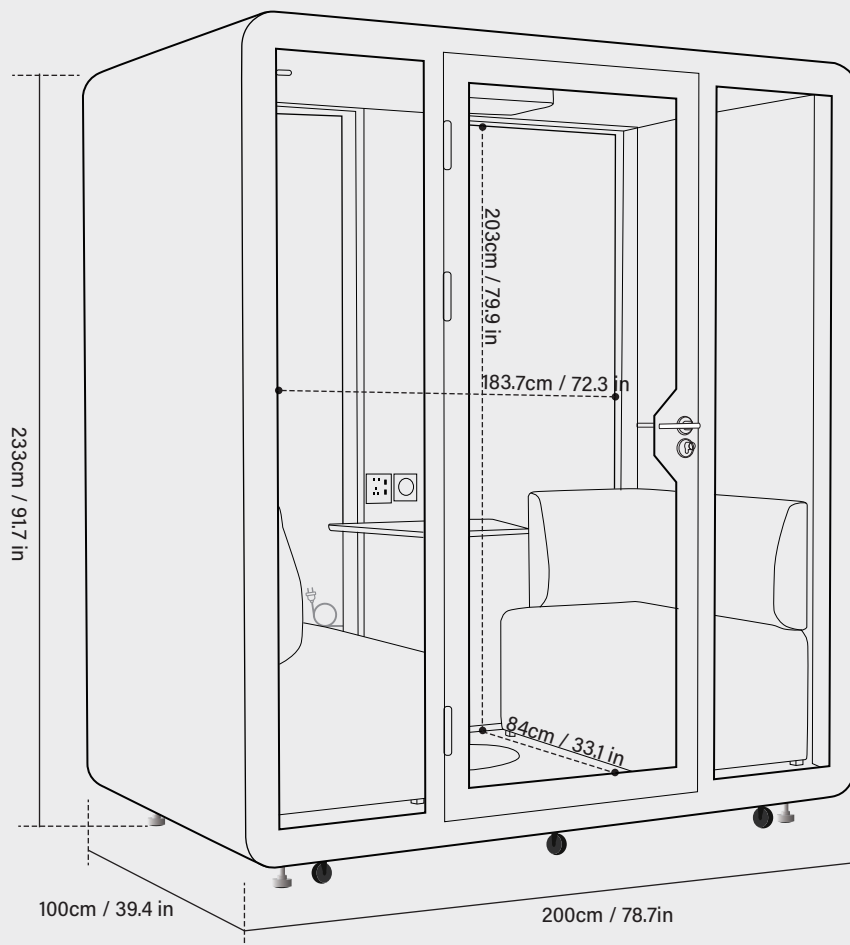


Front View of Seismic Anchor Installed



Back View of Seismic Anchor Installed

Technical specifications



Performance

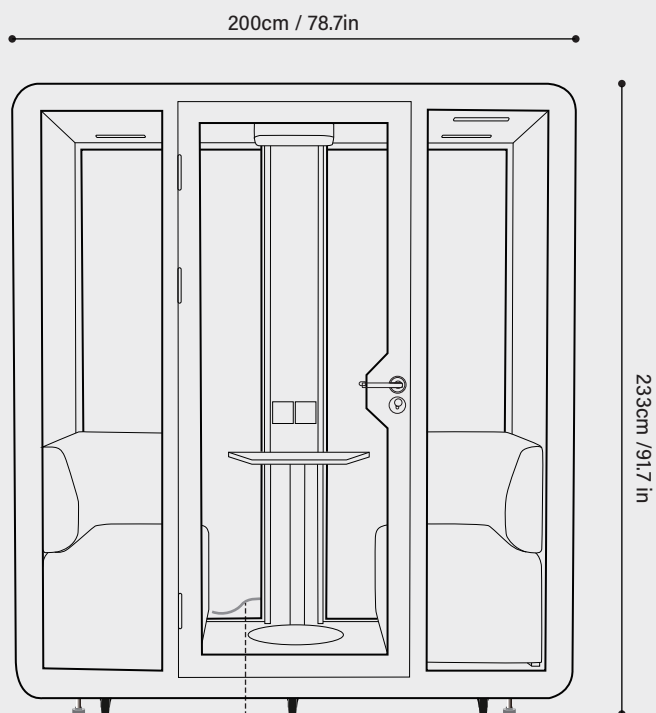
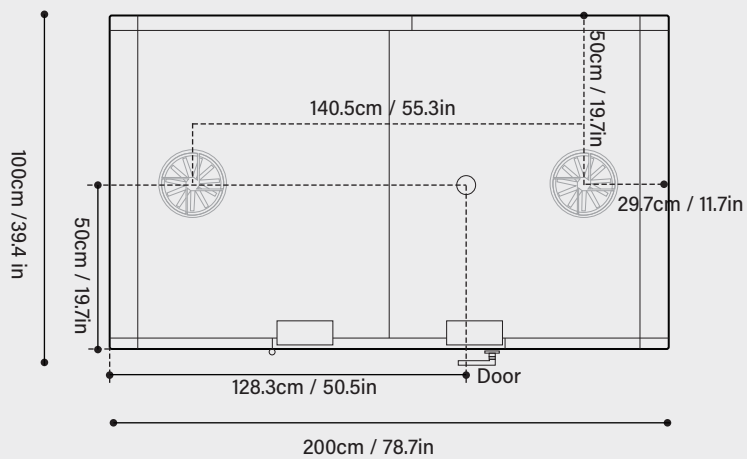
Speech level reduction: 30dB
Maximum airflow: 37Times/H
Low energy consumption: 36W

Sustainable design

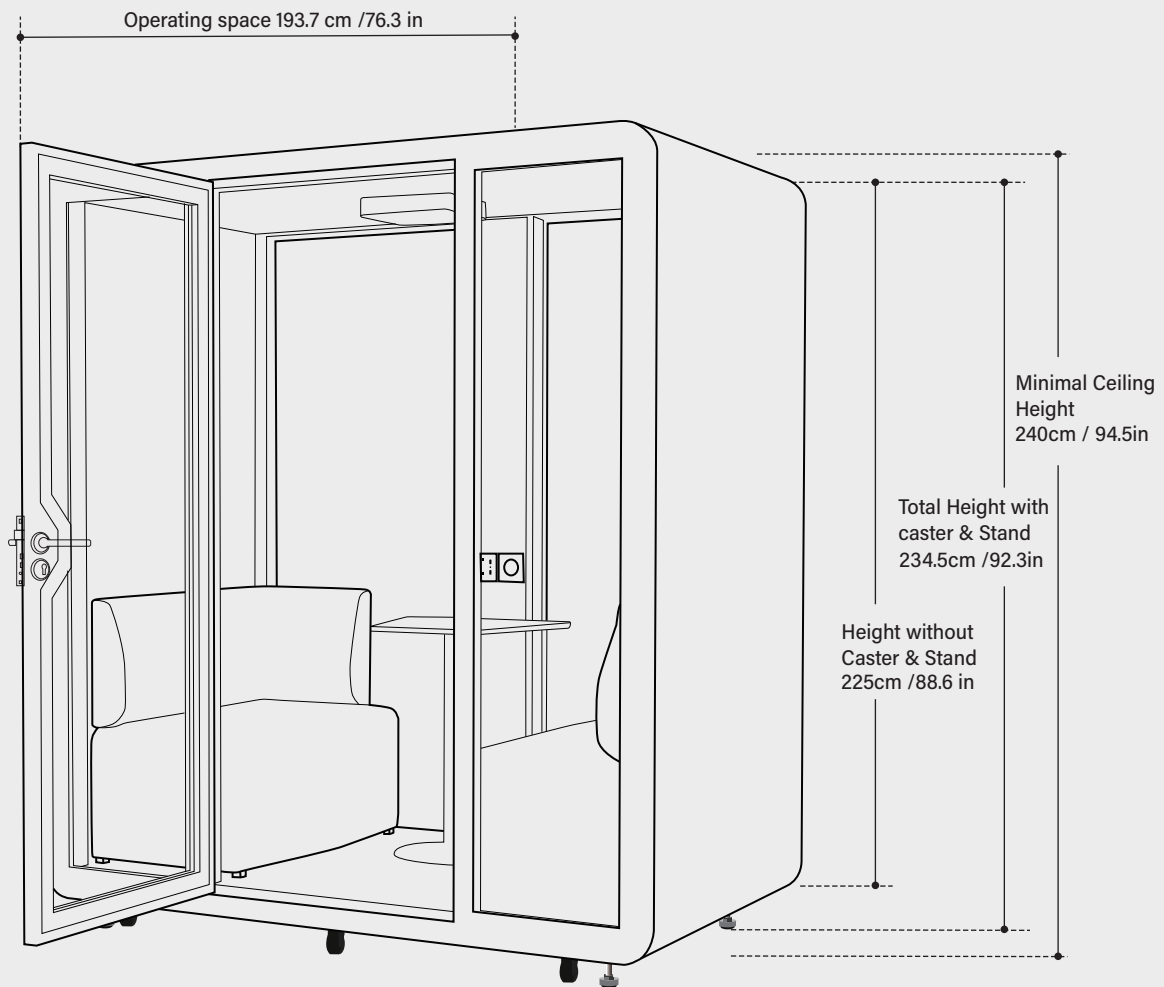
Built to last for decades
Light-weight product structures
Refurbishable & movable



DIMENSIONS TOP EXTERIOR/FIRE SUPPRESSION OPENING & FANS

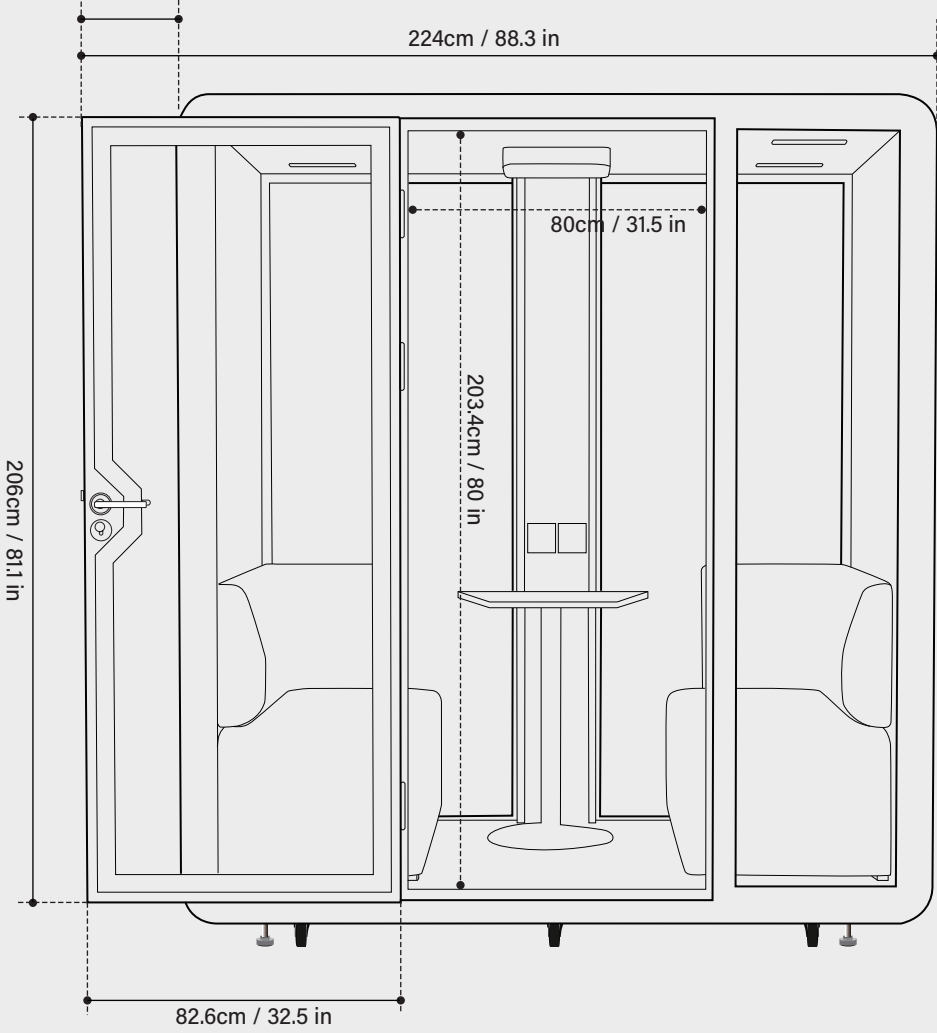


DIMENSIONS / OPERATING SPACE

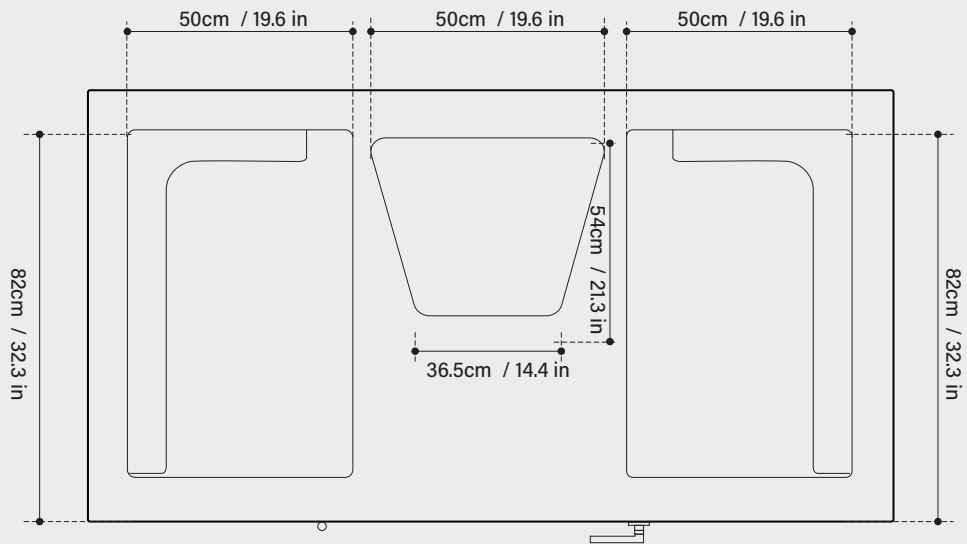


DIMENSIONS /OPERATING SPACE

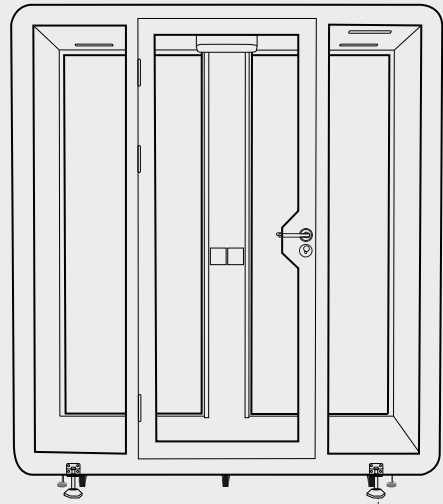
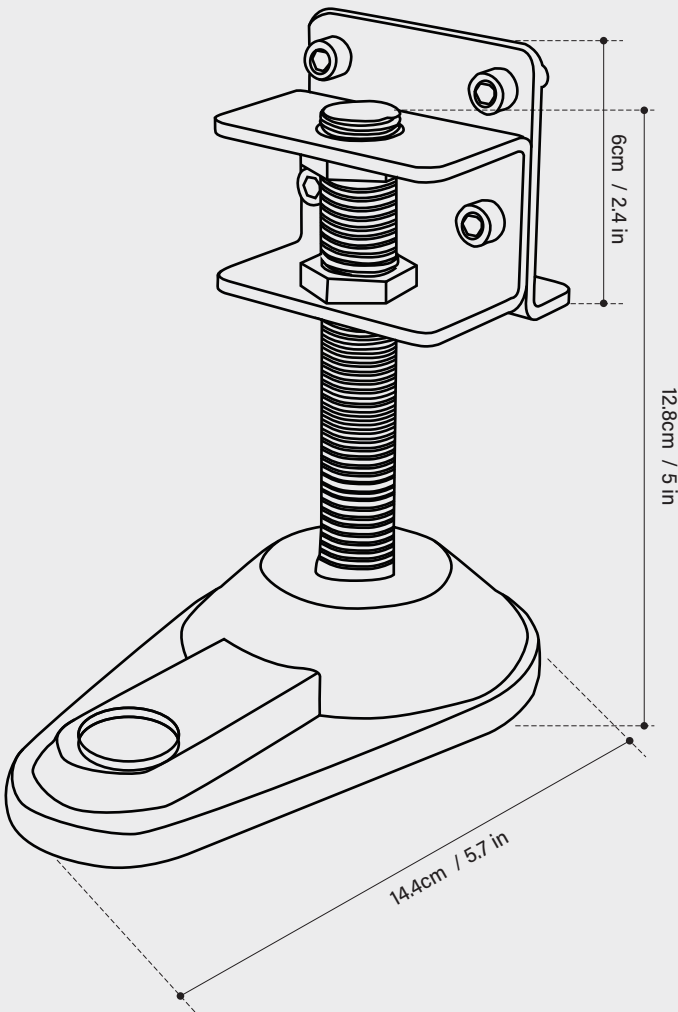
After the door is fully opened,
the part that extends beyond
24cm / 9.4 in



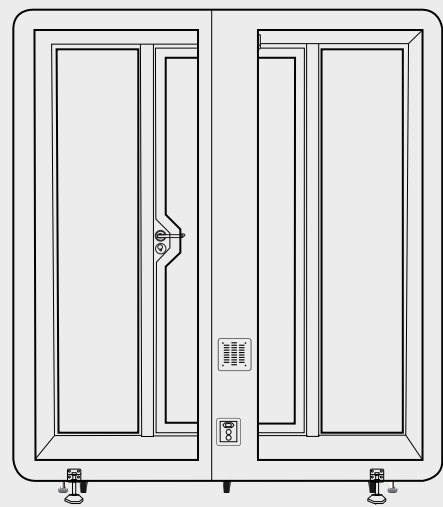
DIMENSIONS / TOP VIEW



ANTI-VIBRATION FOOT PAD

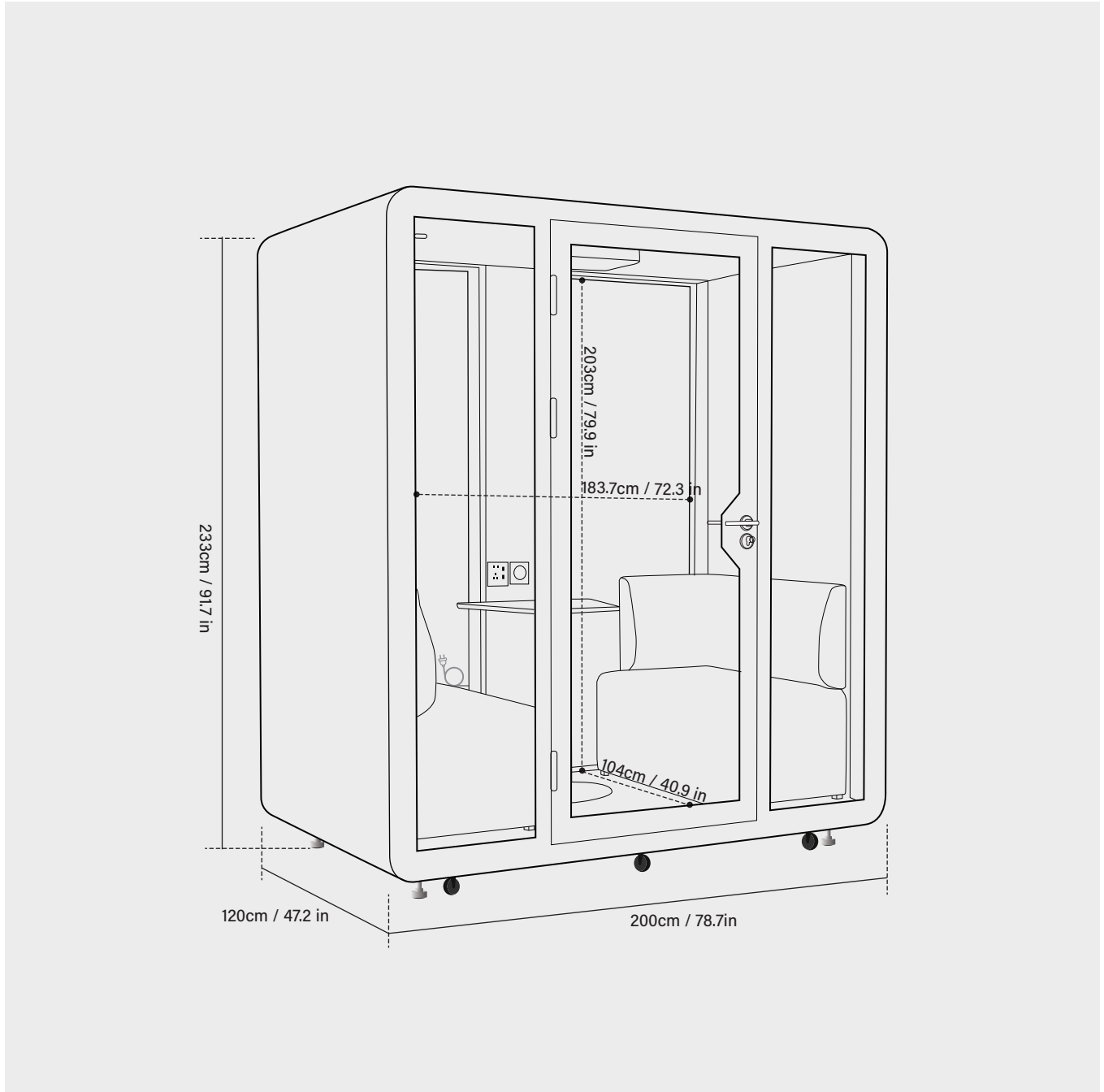


Front View of Seismic Anchor Installed



Back View of Seismic Anchor Installed

Technical specifications



Performance

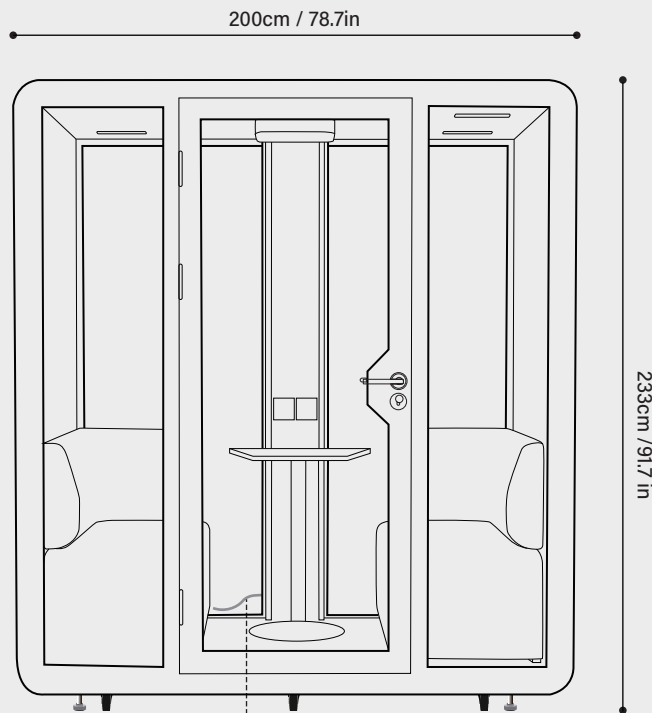
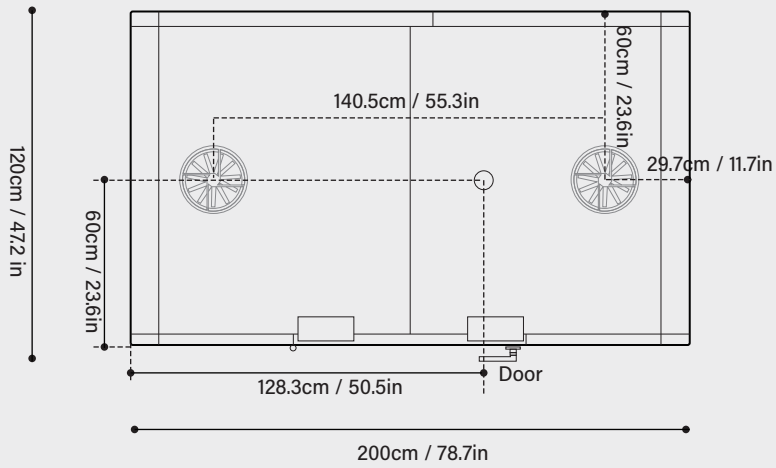
Speech level reduction: 30dB
Maximum airflow: 37Times/H
Low energy consumption: 36W

Sustainable design

Built to last for decades
Light-weight product structures
Refurbishable & movable

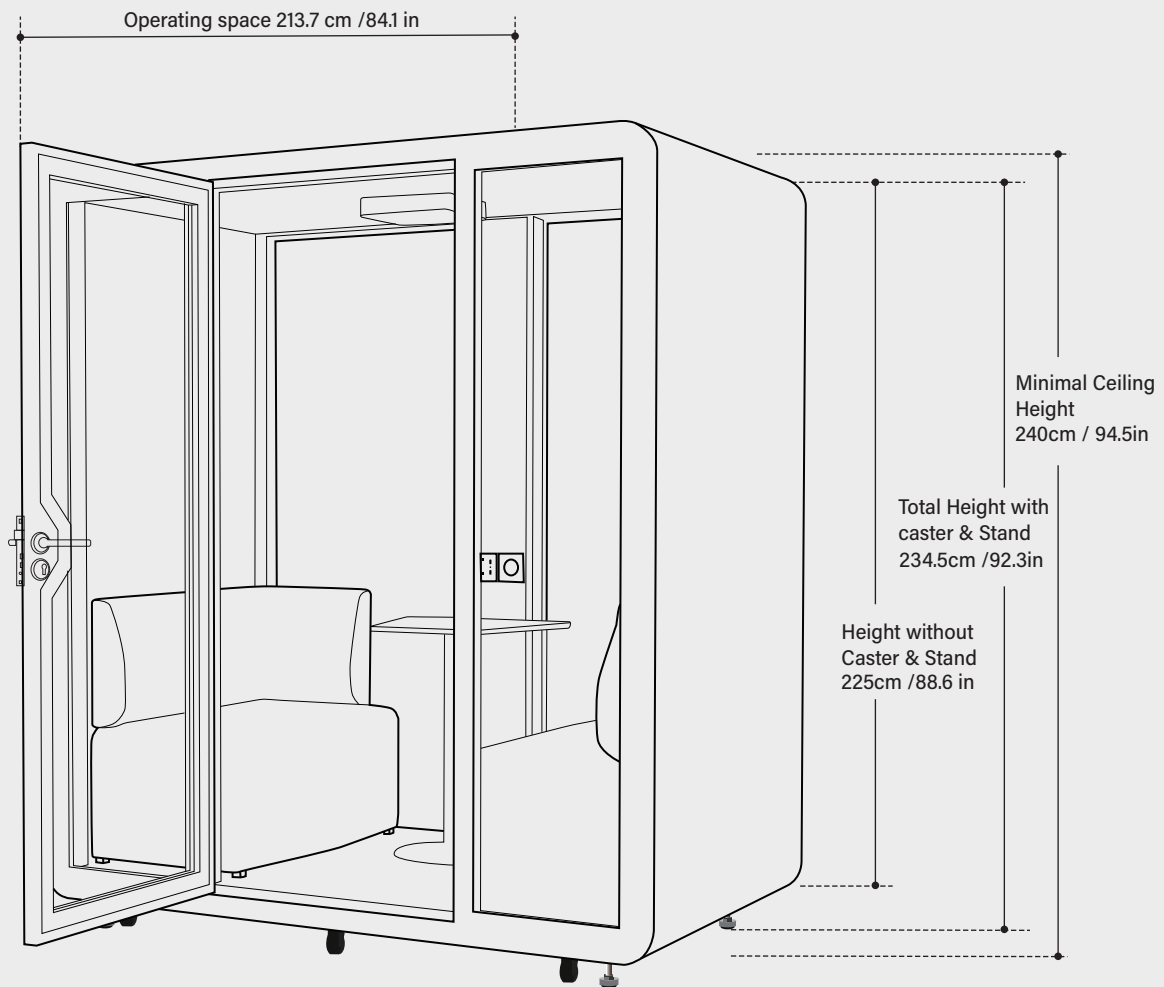


DIMENSIONS TOP EXTERIOR/FIRE SUPPRESSION OPENING & FANS



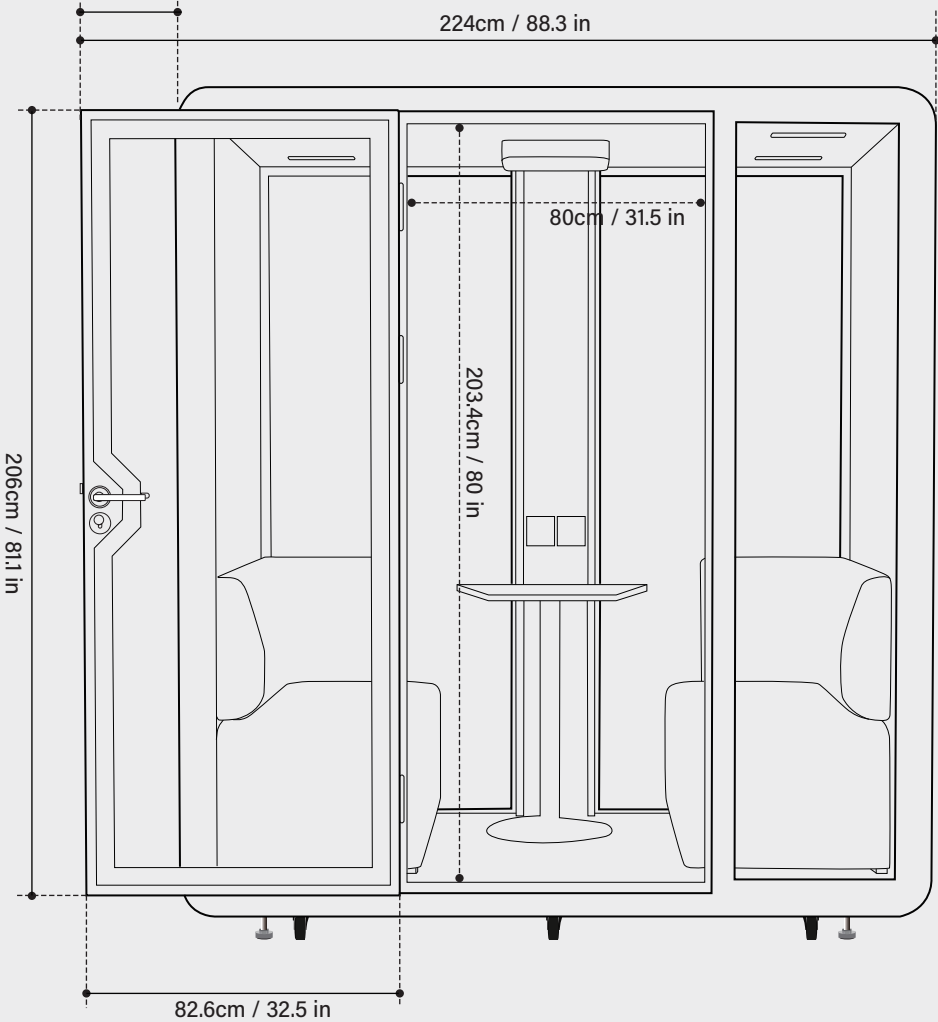
Optional floor power outlet

DIMENSIONS / OPERATING SPACE

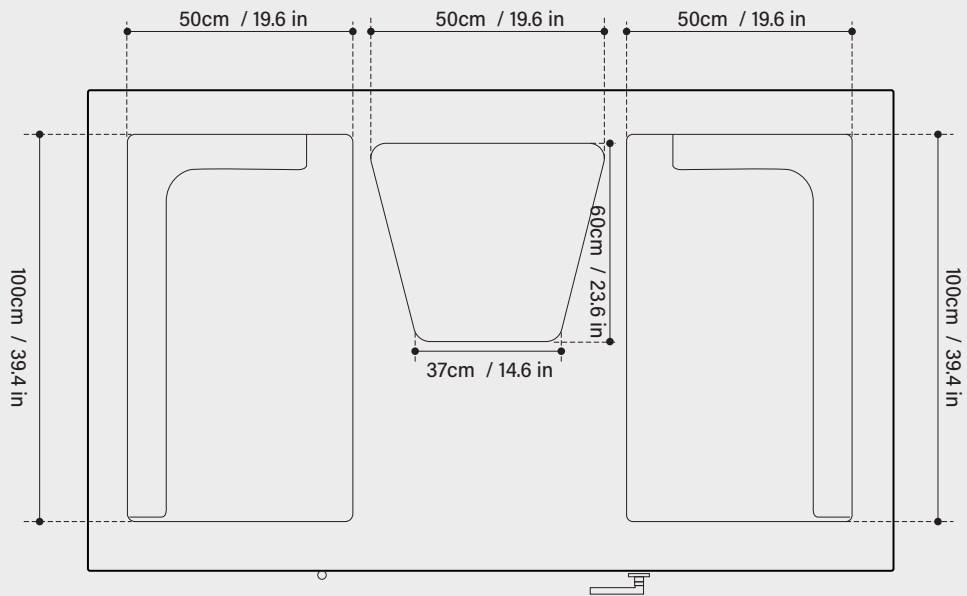


DIMENSIONS /OPERATING SPACE

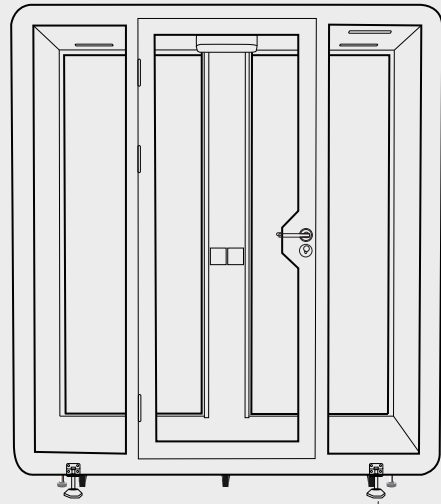
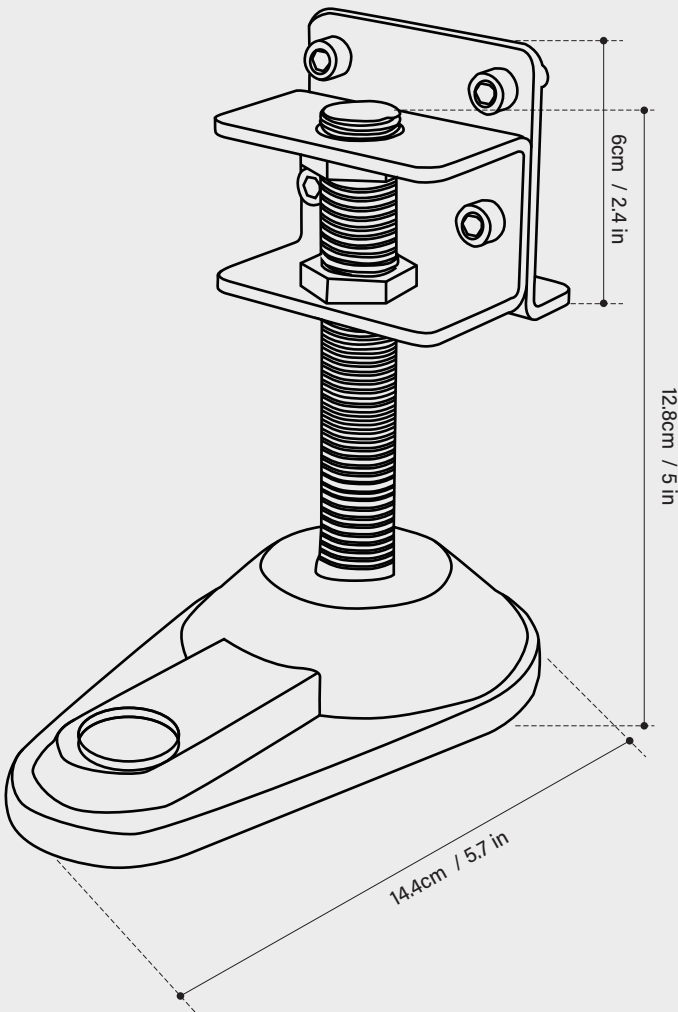
After the door is fully opened,
the part that extends beyond
24cm / 9.4 in



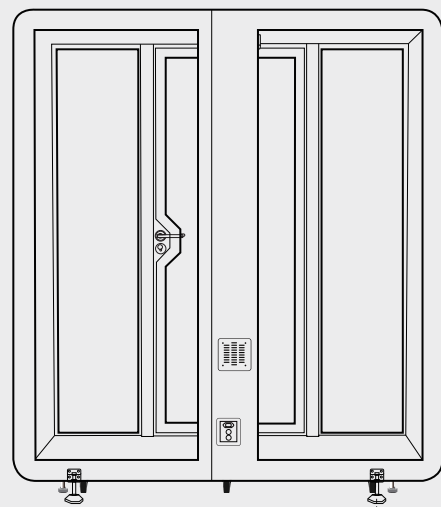
DIMENSIONS / TOP VIEW



ANTI-VIBRATION FOOT PAD

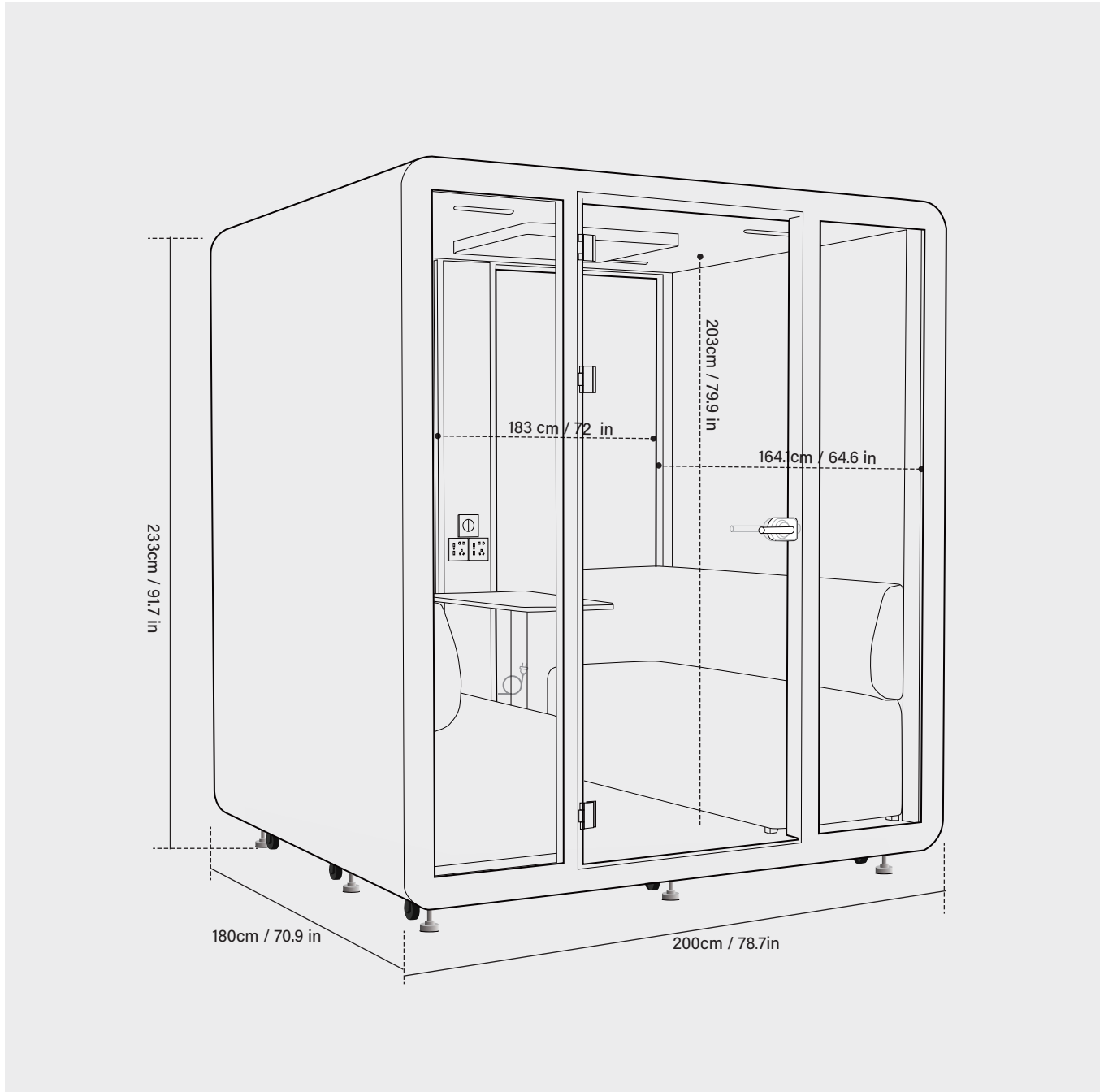


Front View of Seismic Anchor Installed



Back View of Seismic Anchor Installed

Technical specifications



Performance

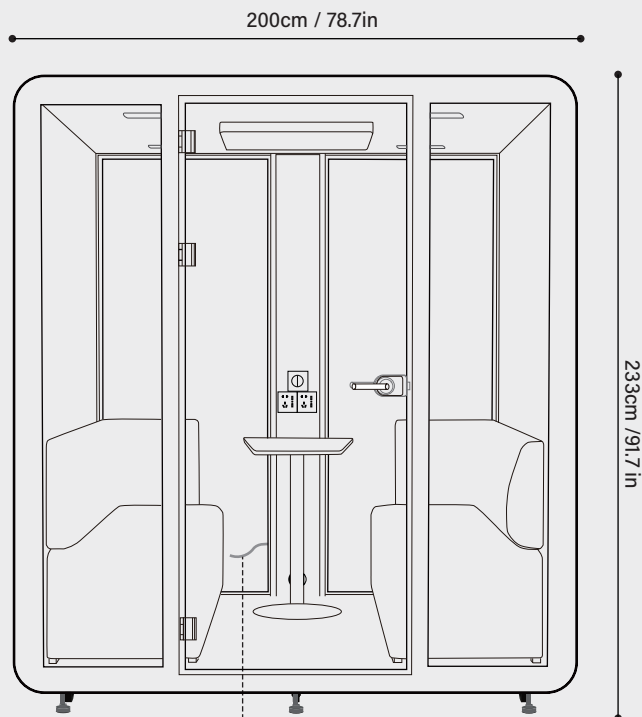
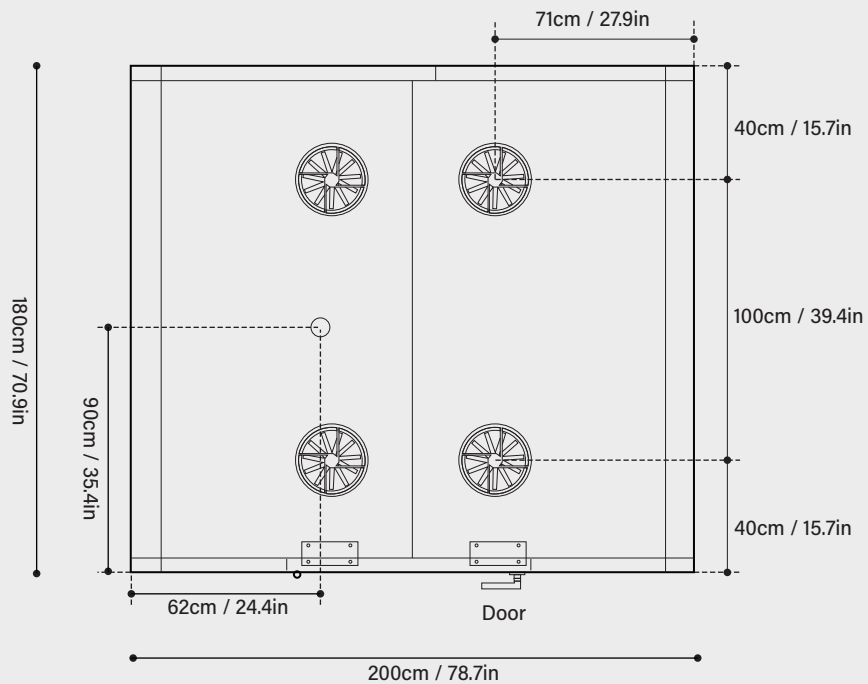
Speech level reduction: 30dB
Maximum airflow: 37Times/H
Low energy consumption: 36W

Sustainable design

Built to last for decades
Light-weight product structures
Refurbishable & movable

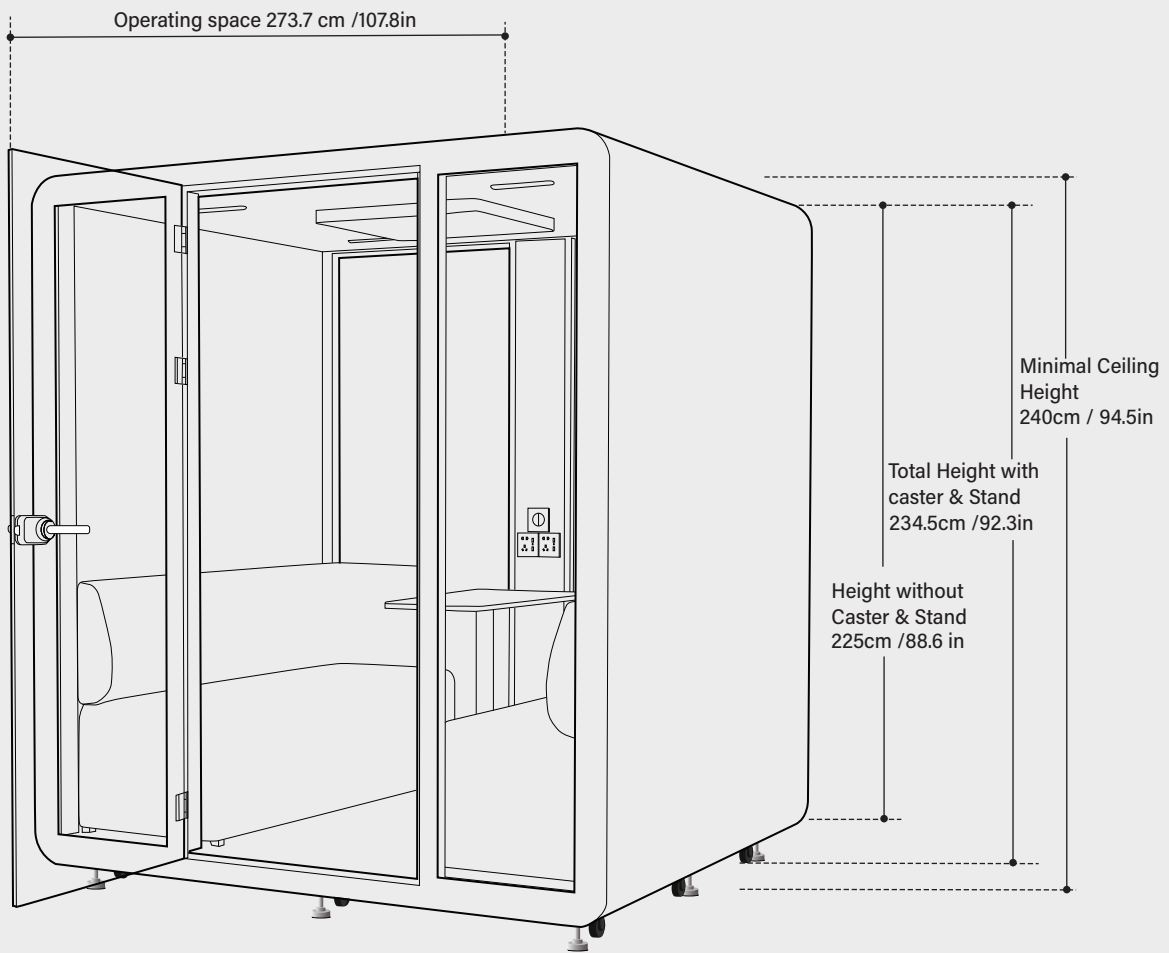


DIMENSIONS TOP EXTERIOR/FIRE SUPPRESSION OPENING & FANS



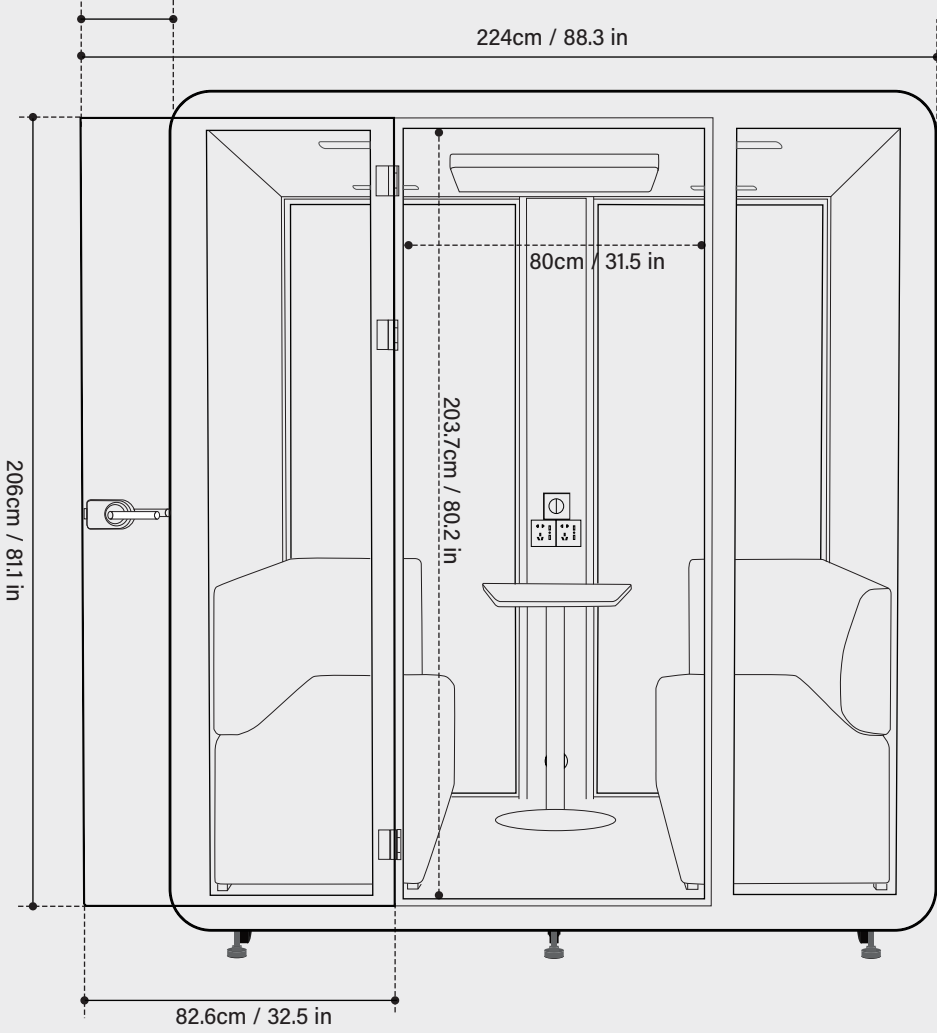
Optional floor power outlet

DIMENSIONS /OPERATING SPACE

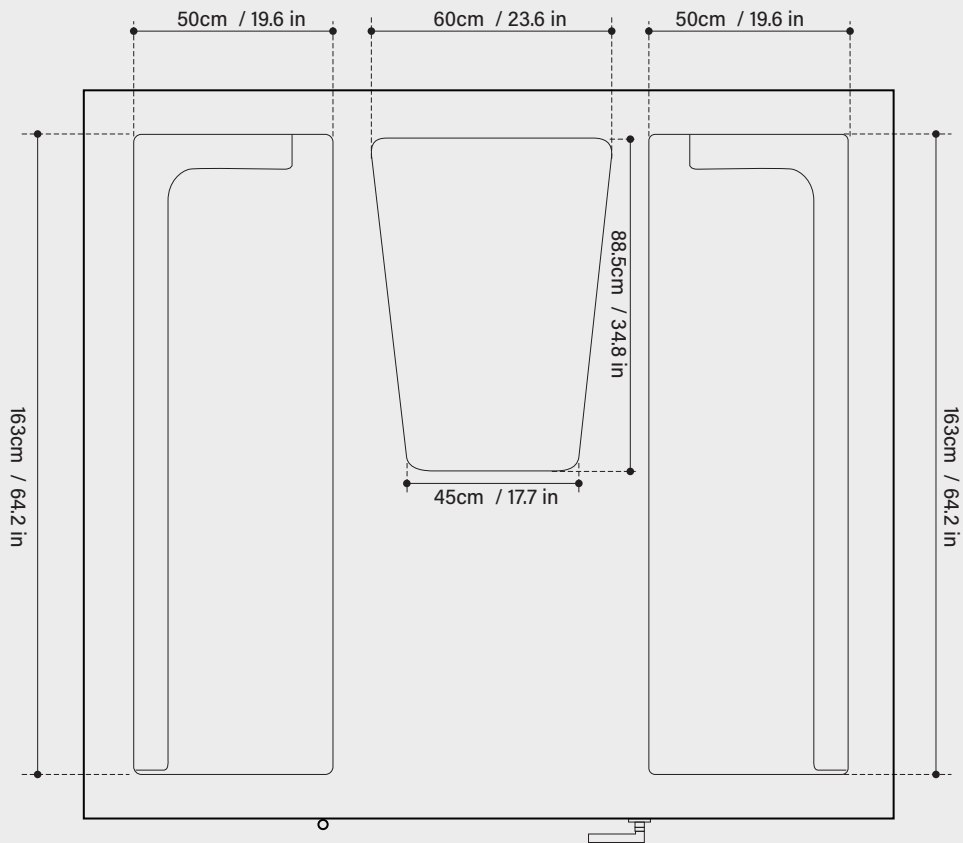


DIMENSIONS /OPERATING SPACE

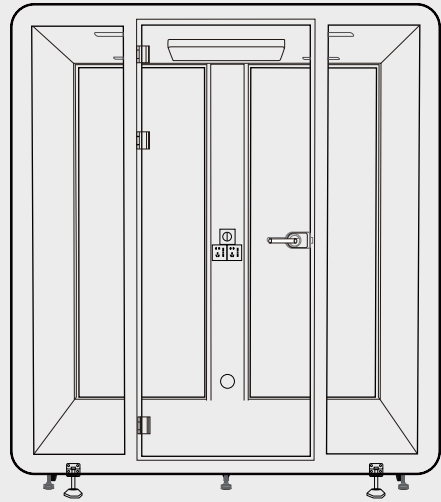
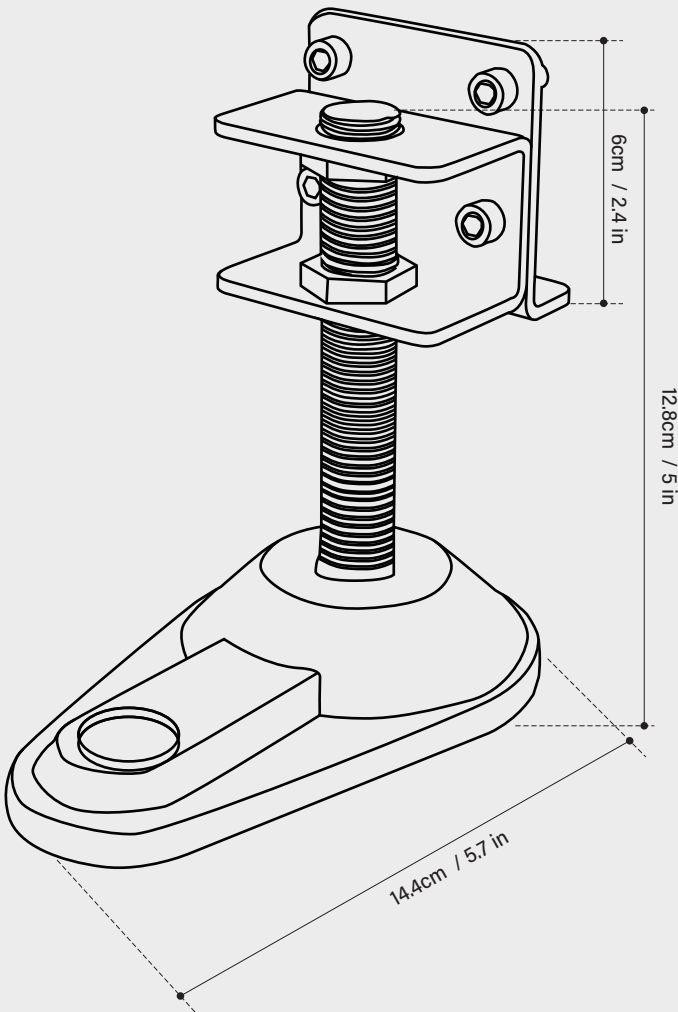
After the door is fully opened,
the part that extends beyond
24cm / 9.4 in



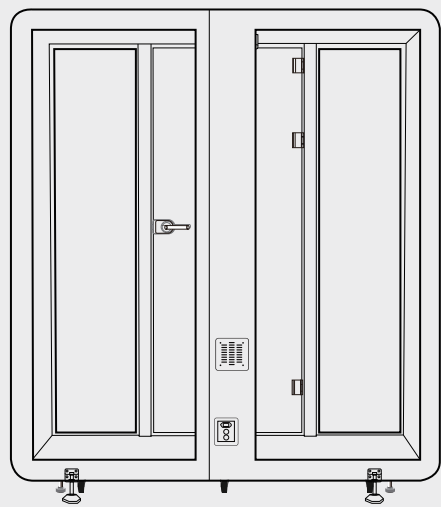
DIMENSIONS / TOP VIEW



ANTI-VIBRATION FOOT PAD

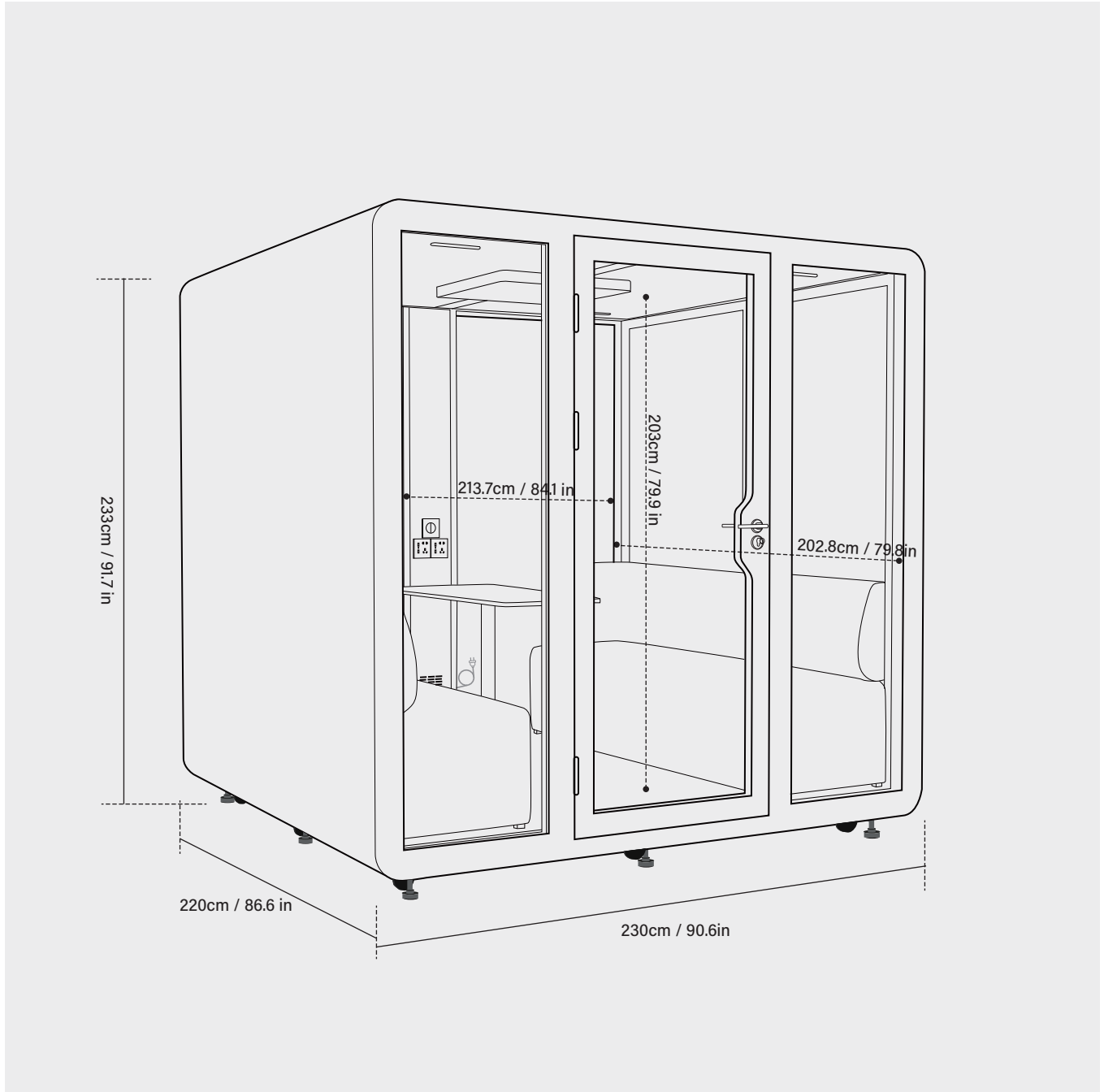


Front View of Seismic Anchor Installed



Back View of Seismic Anchor Installed

Technical specifications



Performance

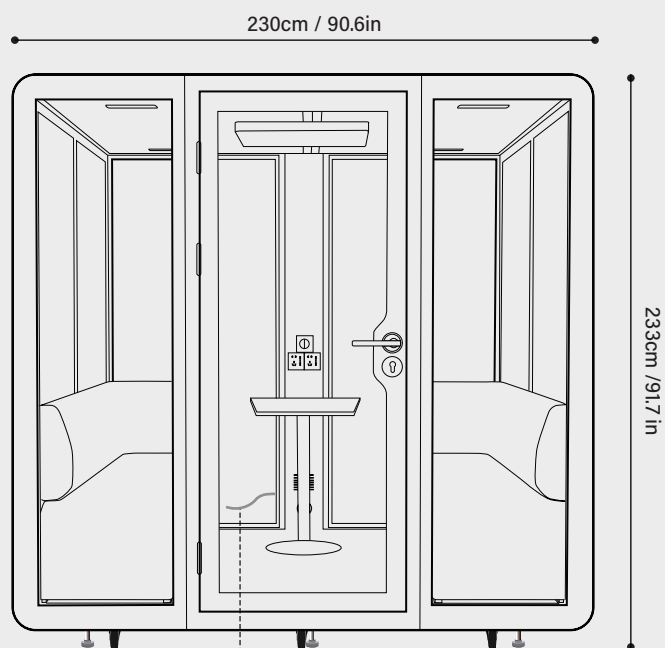
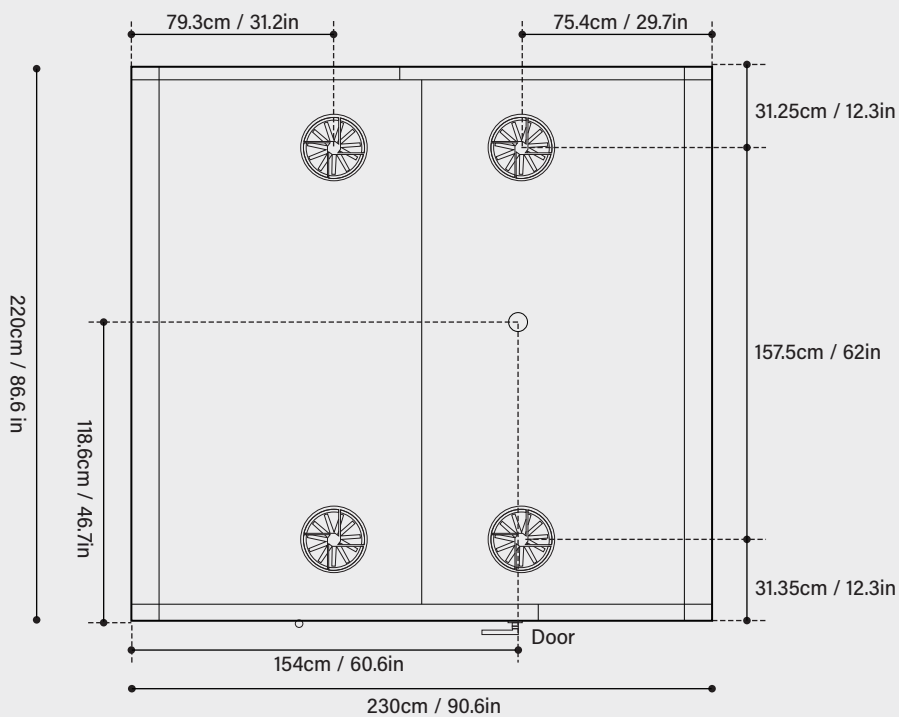
Speech level reduction: 30dB
Maximum airflow: 37Times/H
Low energy consumption: 36W

Sustainable design

Built to last for decades
Light-weight product structures
Refurbishable & movable

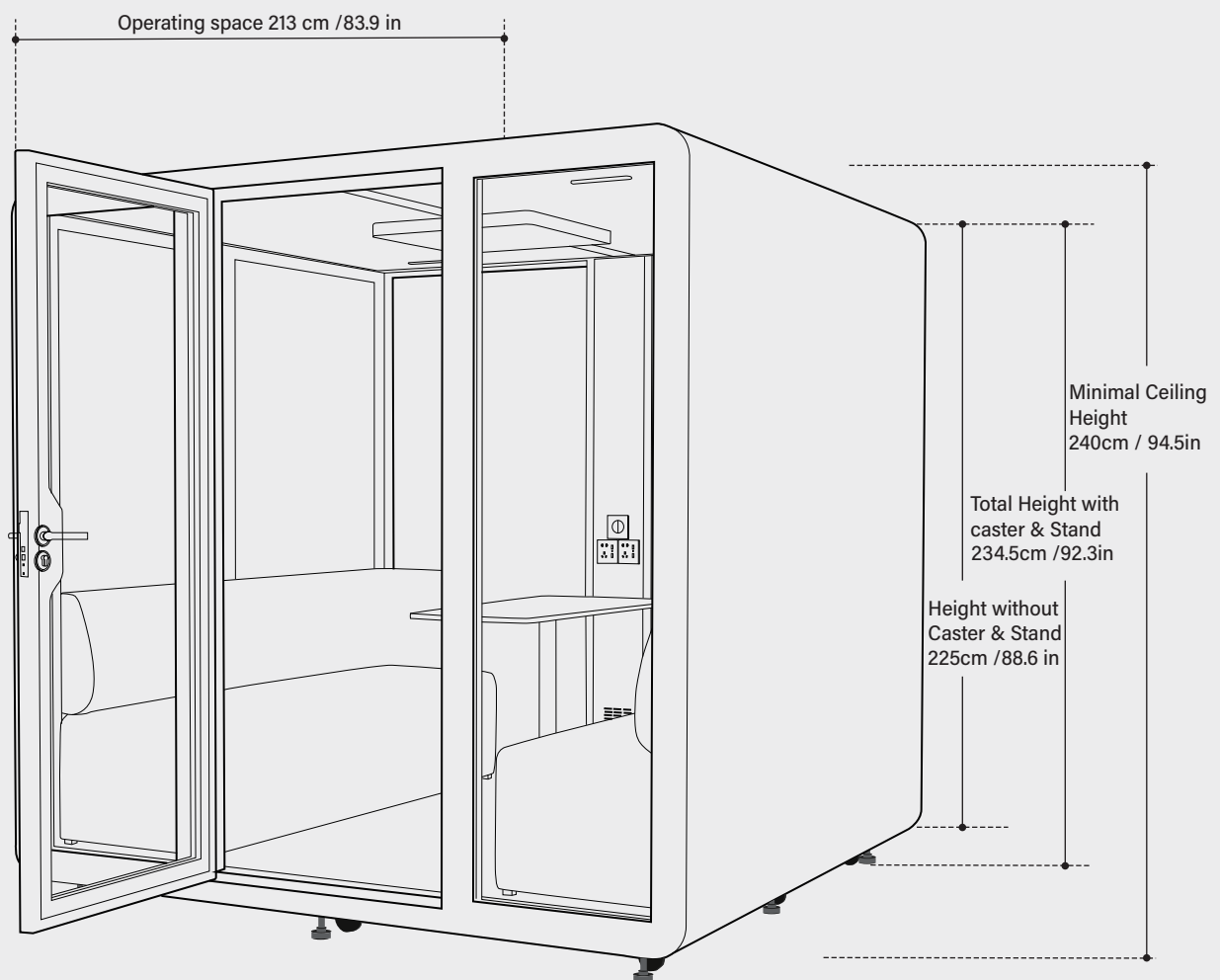


DIMENSIONS TOP EXTERIOR/FIRE SUPPRESSION OPENING & FANS



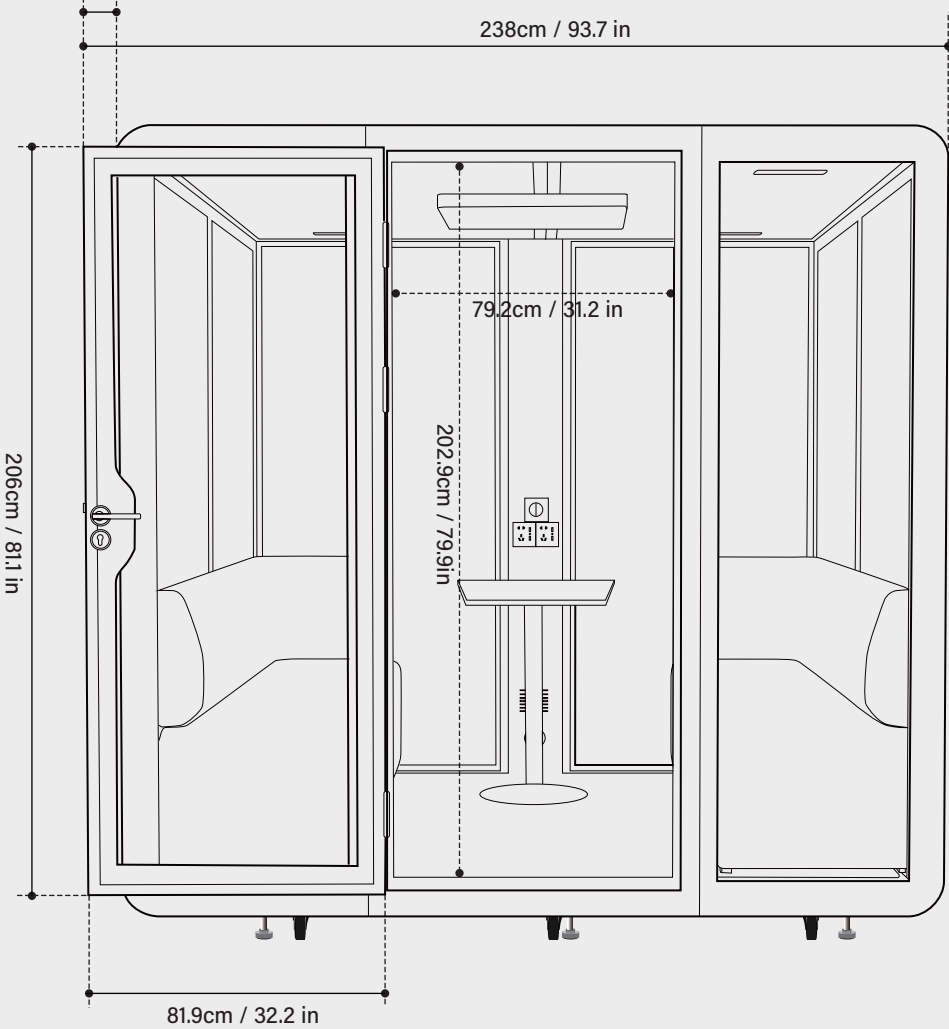
Optional floor power outlet

DIMENSIONS / OPERATING SPACE

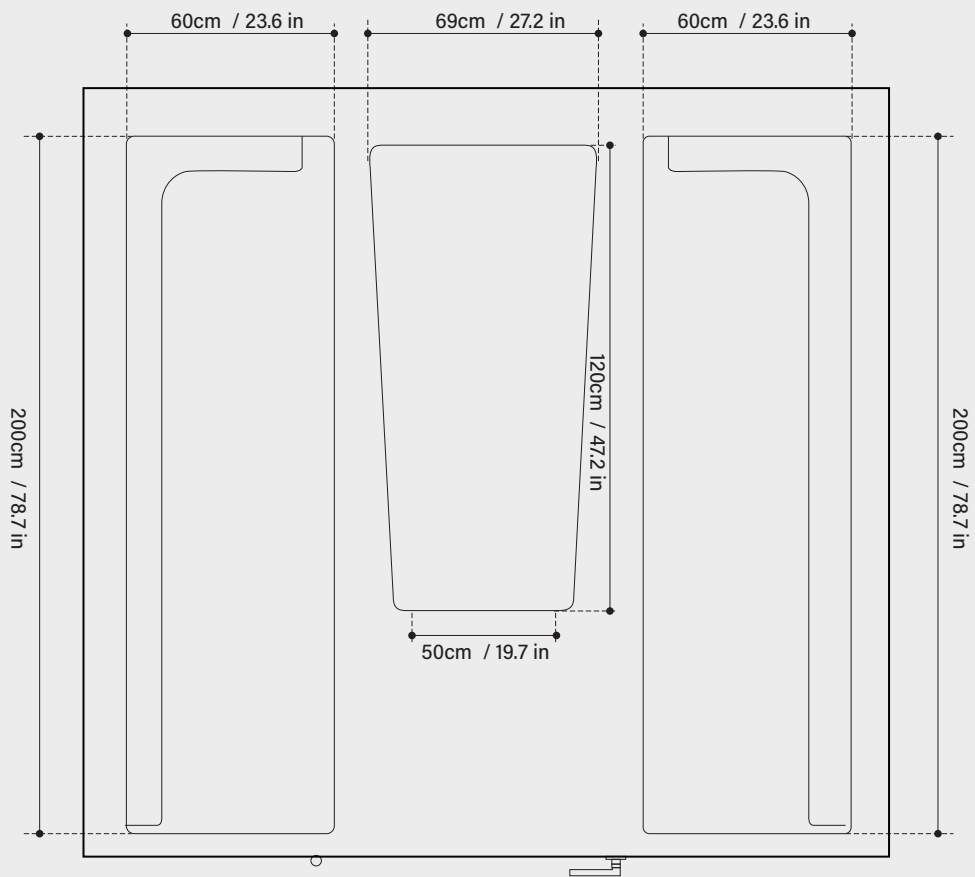


DIMENSIONS /OPERATING SPACE

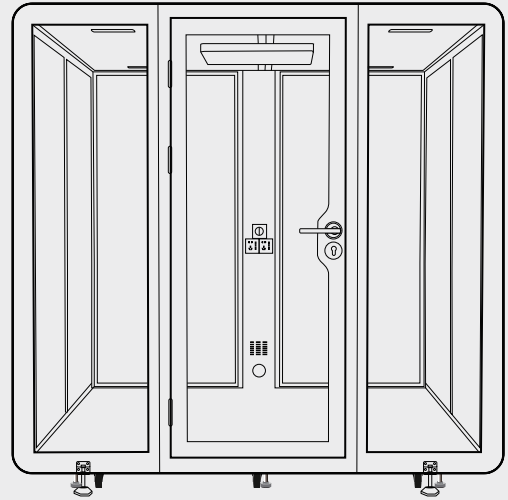
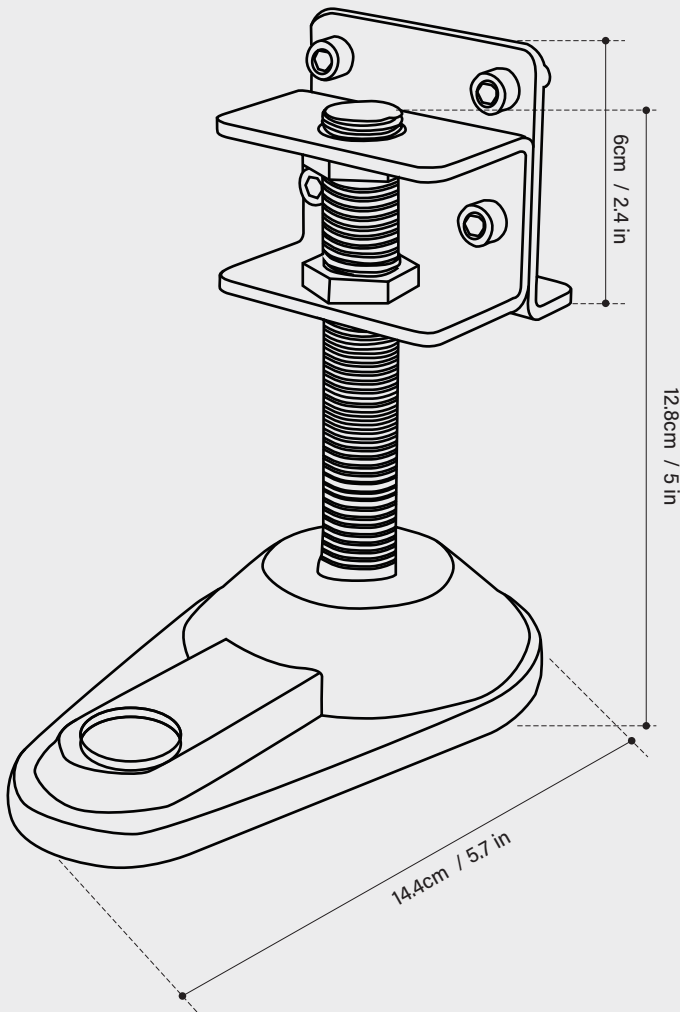
After the door is fully opened, the part that extends beyond 8cm / 3.1 in



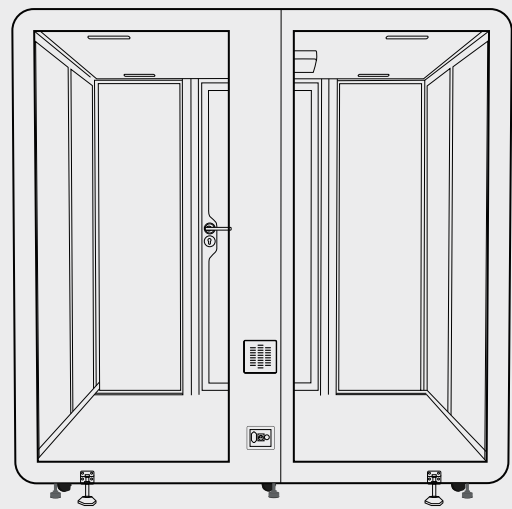
DIMENSIONS / TOP VIEW



ANTI-VIBRATION FOOT PAD



Front View of Seismic Anchor Installed



Back View of Seismic Anchor Installed