

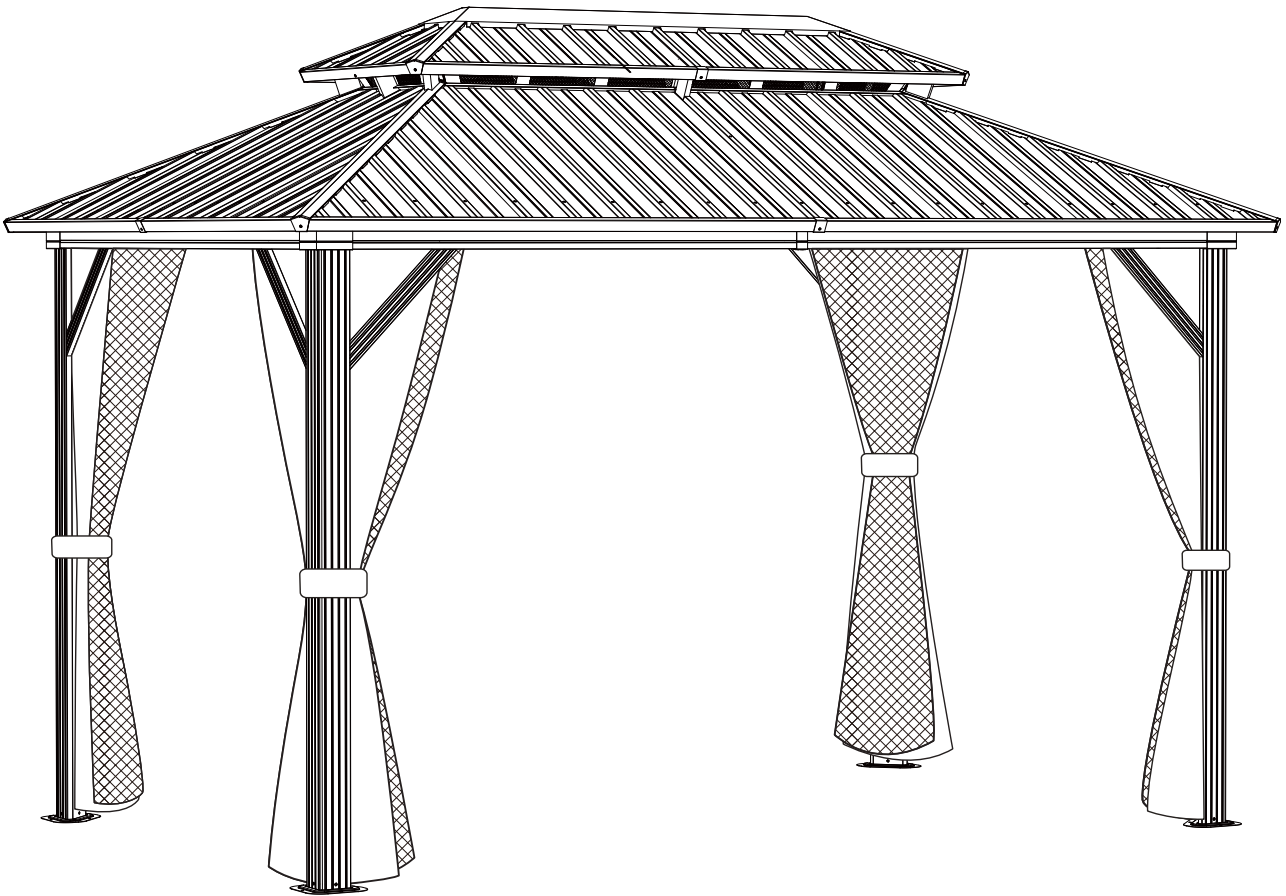
PURPLE LEAF

est. 2013



8' x 12'

***HARDTOP GAZEBO
WITH DOUBLE ROOF***



Assembly Manual

CONTENT

● Warnings and cautions	1
● Pre-assembly	2
● Anchoring scheme	3
● Check list	5
● Frame installation	8
● Roof frame installation	16
● Roof panel installation	26
● Curtain and netting installation	39
● Care and cleaning	44
● Warranty	45

WARNINGS AND CAUTIONS

1. Please read the instruction carefully before assembly and retain it for future usage.
2. Make sure you have all the parts & hardware as the check list shows before you install.
3. Do not discard or recycle boxes until completely assembled.
4. **2 adults or more** are recommended to install your gazebo.
5. Do not fully tighten the screws until finish each step of installation. Check all bolts for tightness after installation.
6. **Anchor the gazebo as soon as finish Step 2(The frame).**
7. Some parts might have sharp edges/corners. Please follow basic safety precautions to reduce the risk of injuries.
8. Do not install near roof lines or other structures that could shed snow, ice, or excessive rain run-off onto the roof top.

CHOKER HAZARD

This item contains small parts which can be swallowed by children and pets.

Please keep it away from children under 3 years old and pets during installation.

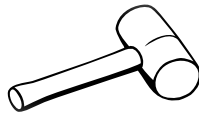
PRE-ASSEMBLY

TOOLS THAT MAY BE REQUIRED (Not included in boxes)

*NOTE: Tools/equipment are not shown to actual size and scale.



LEVEL



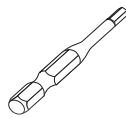
RUBBER Mallet



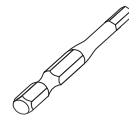
CROSS SCREWDRIVER



DRILL



ALLEN WRENCH
DRILL BIT (M5)



ALLEN WRENCH
DRILL BIT (M6)



SAFETY HAT



GLOVES



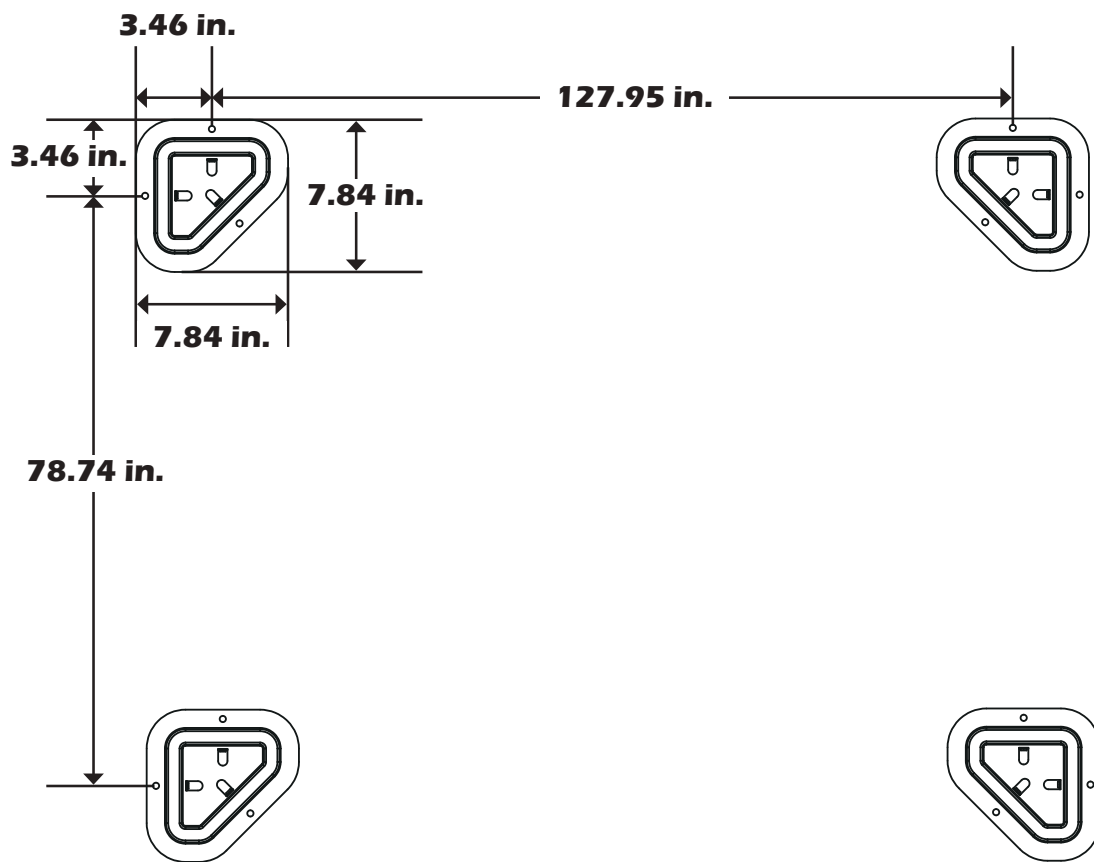
SAFETY GOGGLES



STEPLADDER

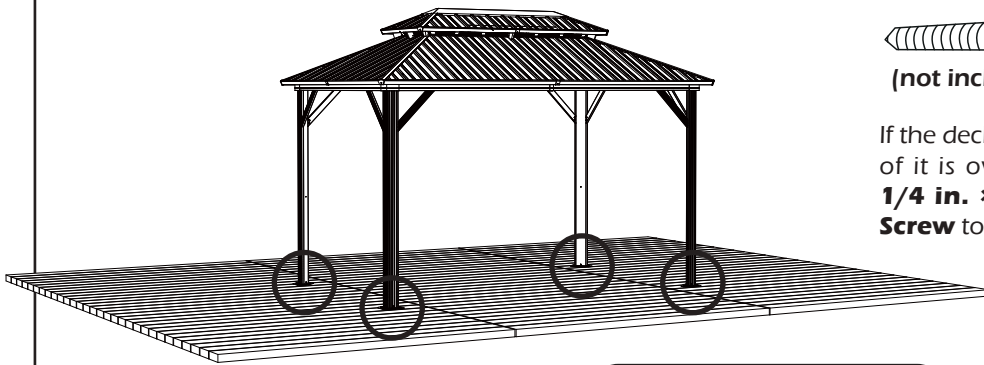
MOUNTING BLUEPRINT

Gazebo 8'x12'



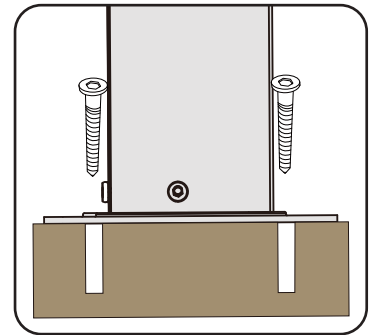
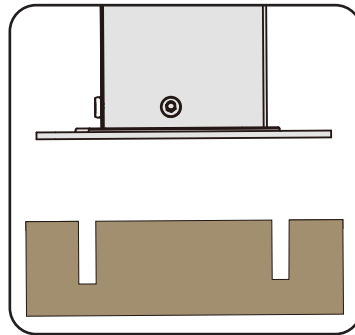
Attention: The above dimensions are manually measured and error is within 1-2 inches. We suggest you anchor the gazebo after installed the main frame.

1

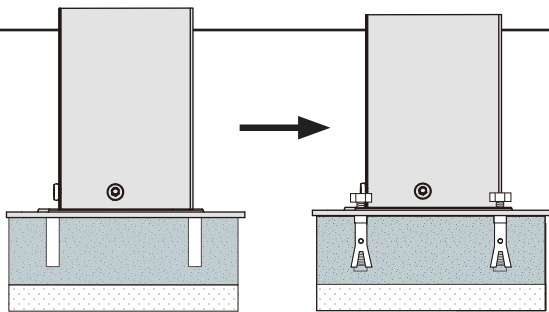


 **× 12**
 (not included in package)

If the deck is hardwood and the depth of it is over 3 inches, you can use **1/4 in. × 3 in. Structural Wood Screw** to mount the gazebo.



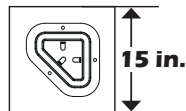
2



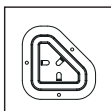
14# × 12 
 (included in package)

If the ground is concrete and the depth of it is over 3 inches, you can use 1/4 inch expansion bolts 14# included in package to mount the gazebo.

3



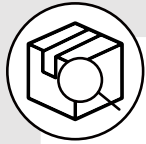
Or you can make concrete footings for gazebo. **15×15×15 inches** is recommended. Using expansion bolts to mount the gazebo like ② shows.



IMPORTANT:
 Anchor is not recommended



CHECK LIST



A x4 

A1 x8 

B x2 

C1 x2 

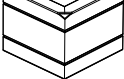
C2 x2 

F1 x2 

F2 x2 

F3 x2 

F4 x2 

G1 x4 

G2 x2 

H x2 

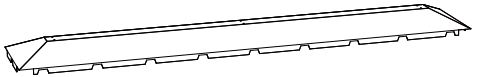
H2 x1 

I x2 

J1 x4 

J2 x4 


K x1 

K1 x1 

L x4 

M x4 

M1 x4 

N x4 

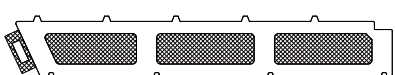
N1 x4 

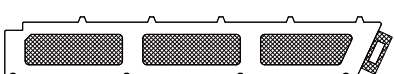
P x2 

P1 x2 

Q1 x2 

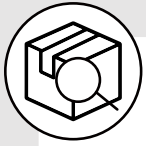
Q2 x2 

Q3 x2 

Q4 x2 

R x12 

R1 x6 



T × 2

T1 × 2

T2 × 2

U × 96

Z × 44

Z1 × 12

Y × 4
(Netting)

Ya × 4
(Curtain)

1# × 63
(M6×16)

2# × 84
(M6×10)

3# × 8
(M6×20)

4# × 16
(M5×16)

5# × 56
(M6×26)

9# × 20
(ST4.8×13)

10# × 8
(M6×26)

11# × 16
(M6×10)

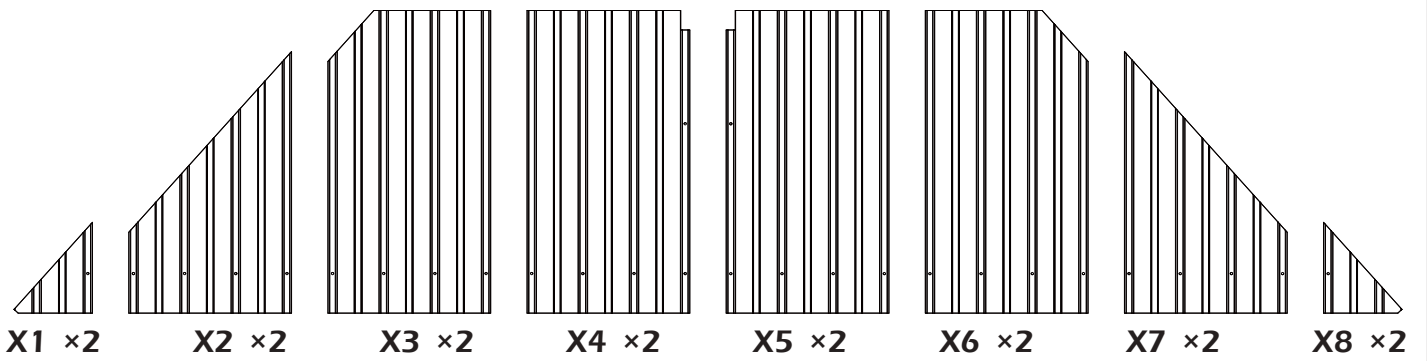
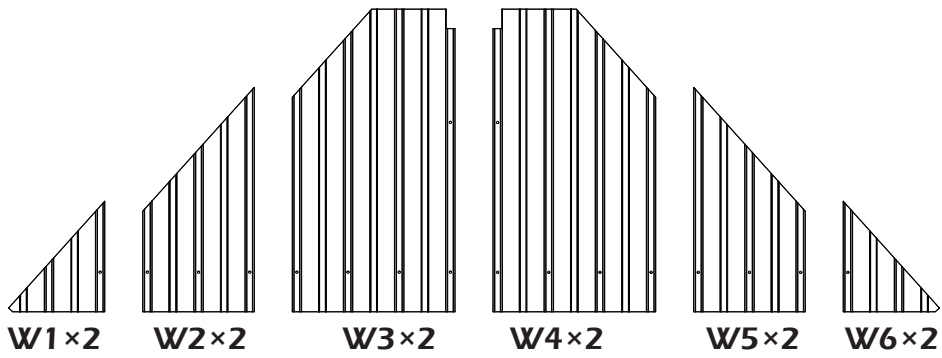
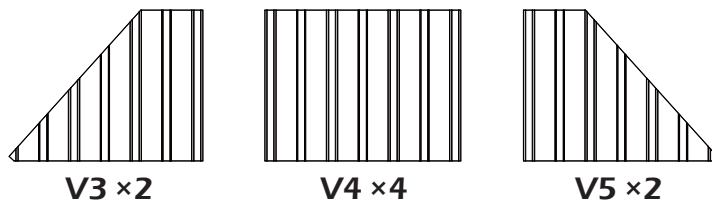
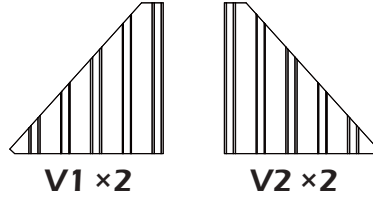
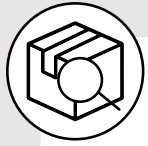
12# × 2

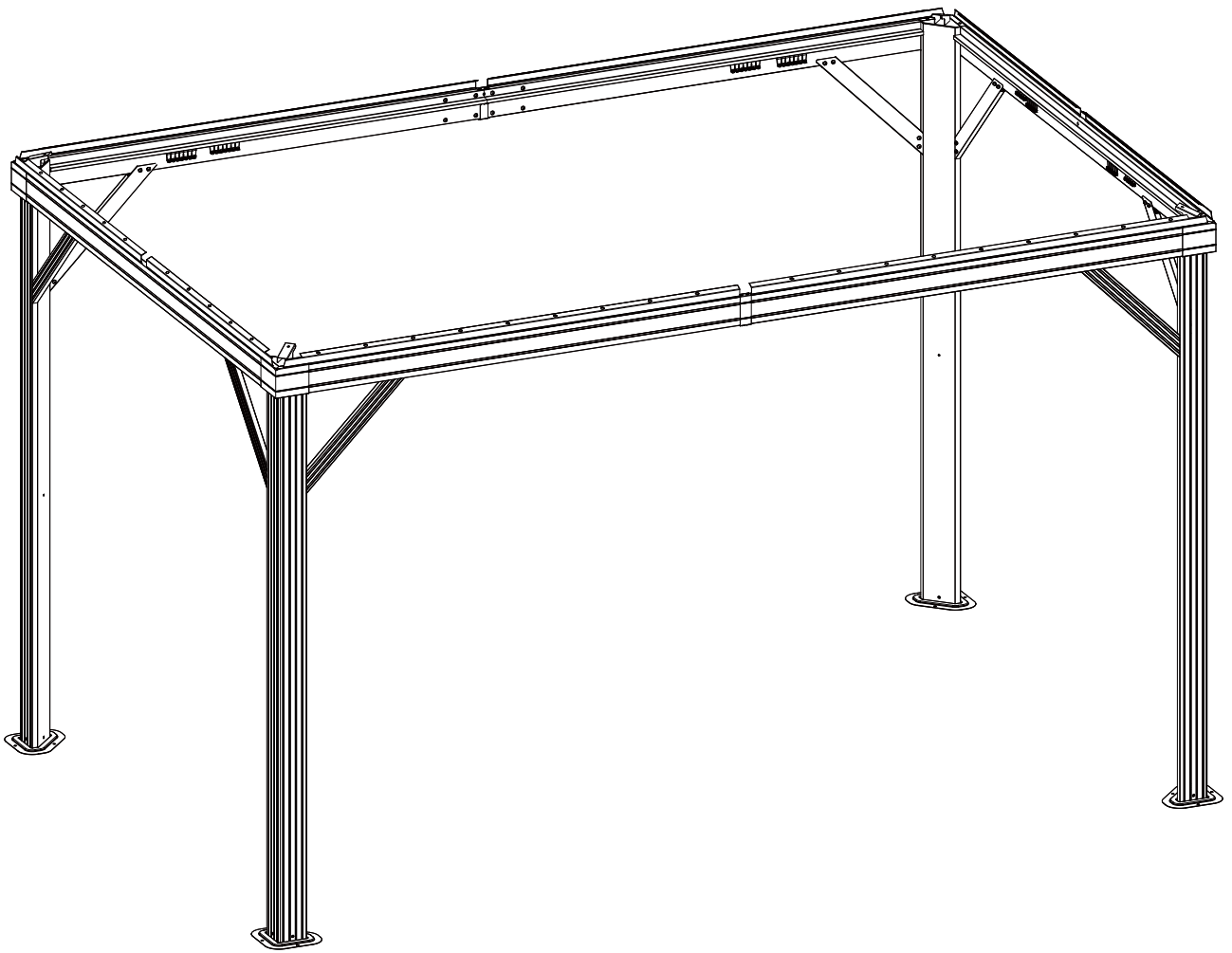
13# × 1

14# × 12
(M6×50)

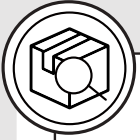
15# × 1

16# × 1





STEP 1



A × 4

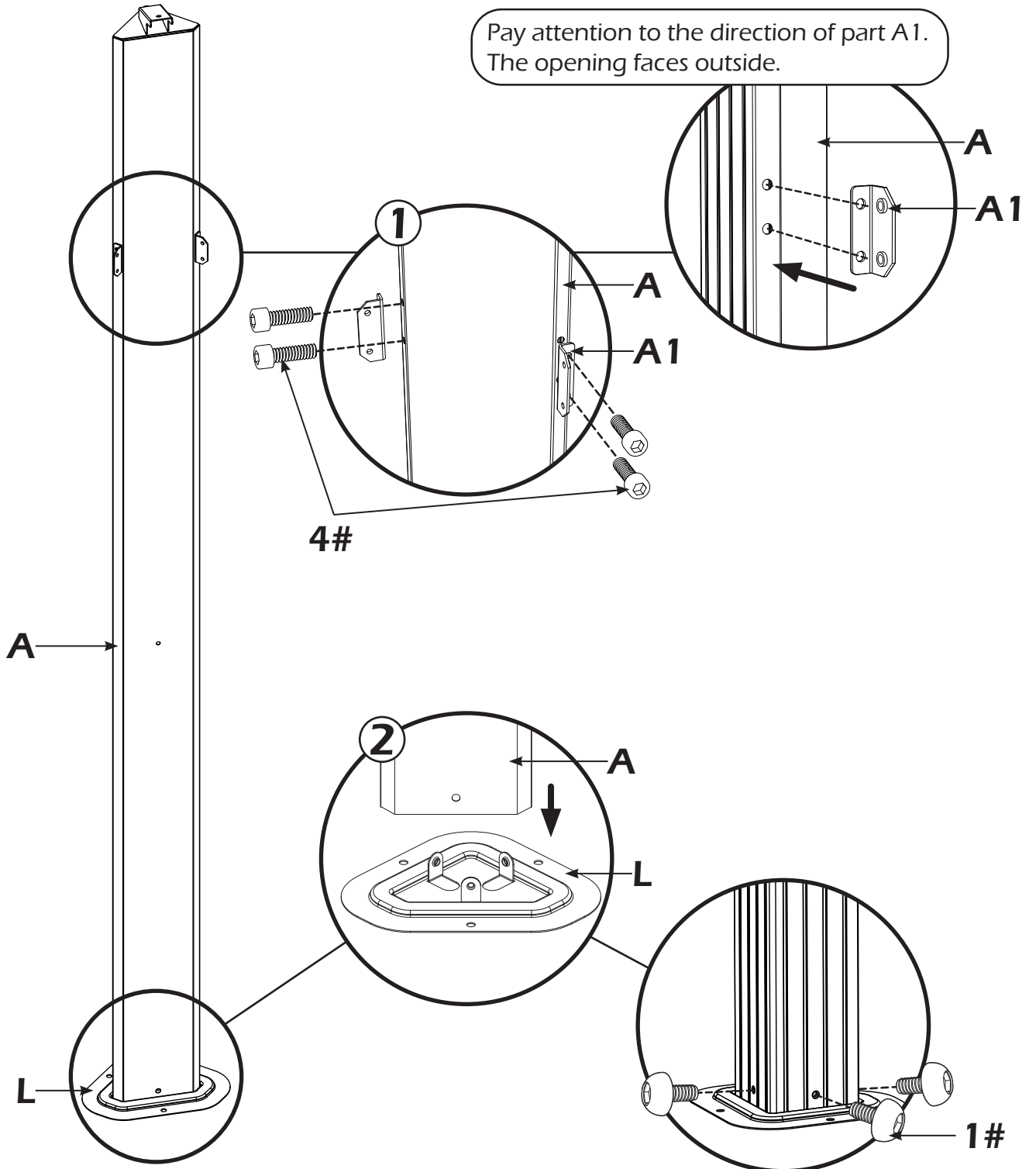
A1 × 8

4# × 16

L × 4

1# × 12

Pay attention to the direction of part A1.
The opening faces outside.



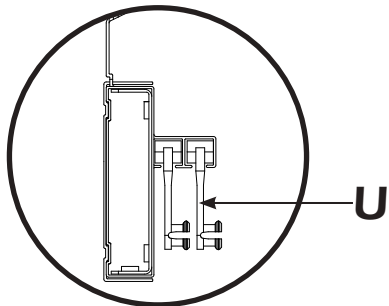
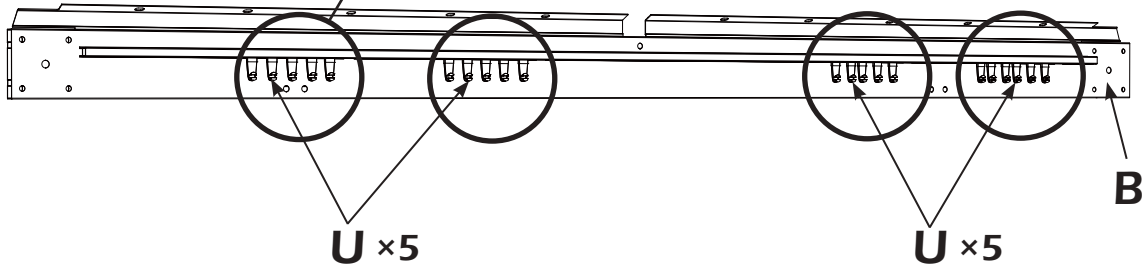
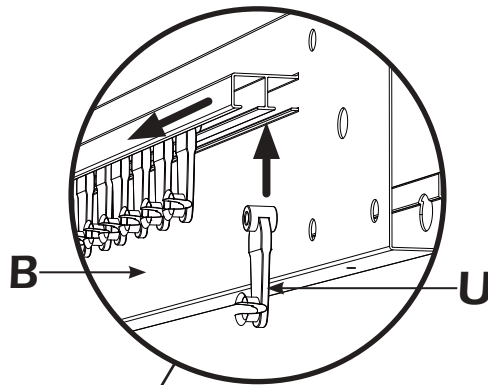
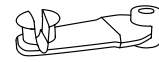
STEP 1



B x2



U x40



Put the hooks into inside track as well as outside track.

STEP 1



C1×2



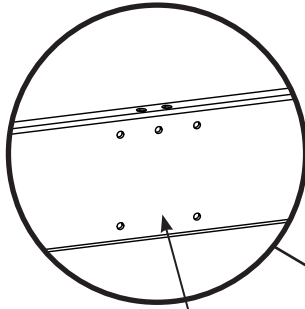
I × 2



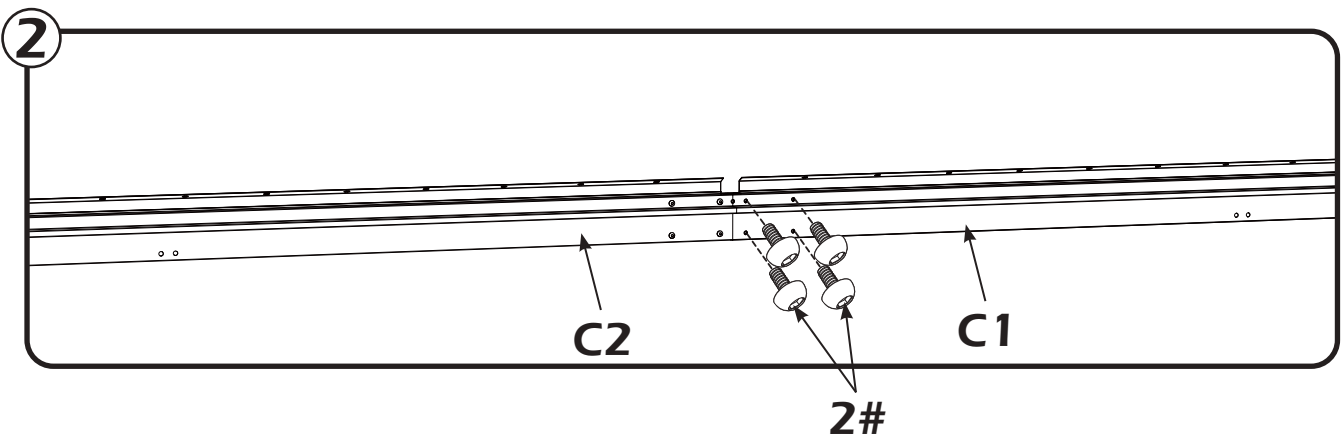
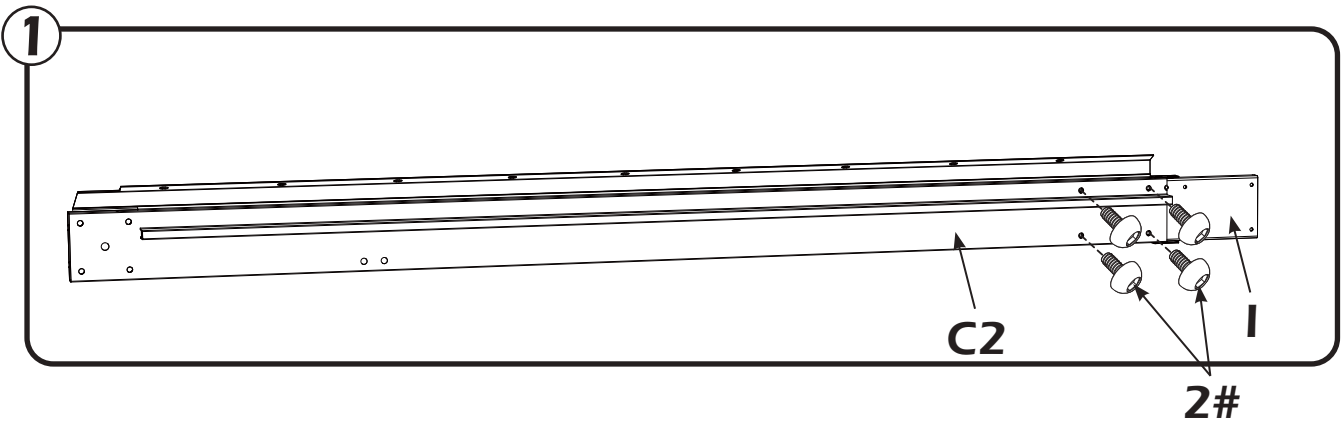
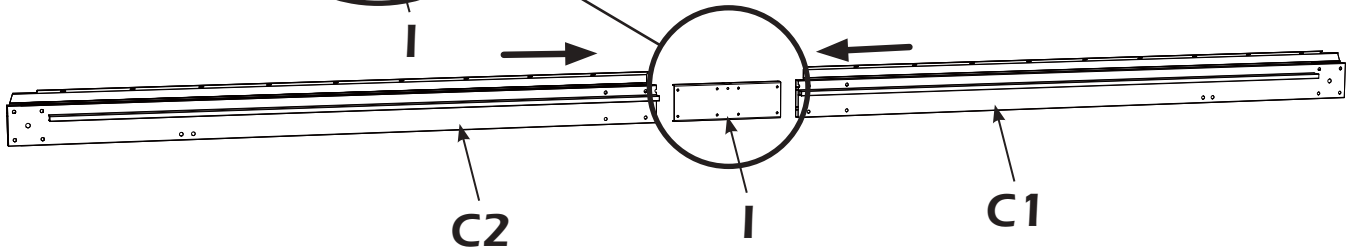
C2×2



2# × 16



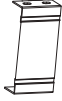
Pay attention to the direction of part I.
The side with three screw holes
faces upwards.



STEP 1



G2 × 2



2# × 4



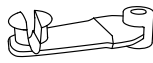
9# × 4



H × 2



U × 56



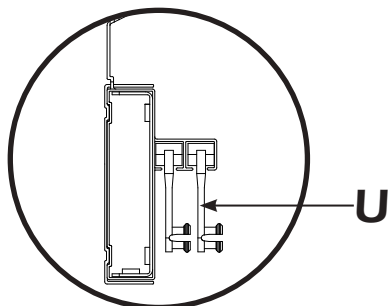
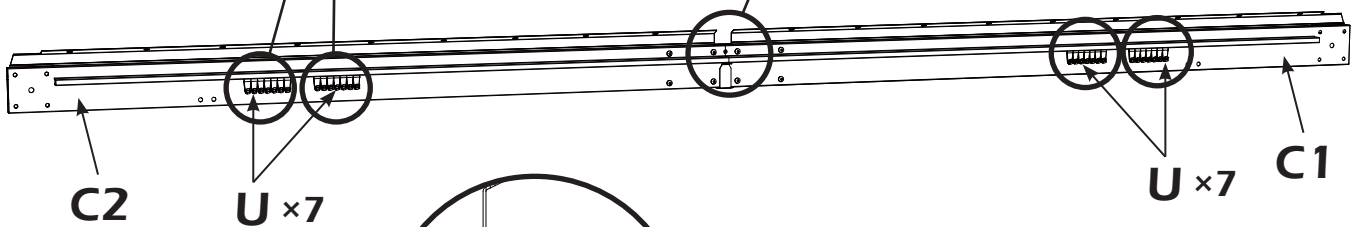
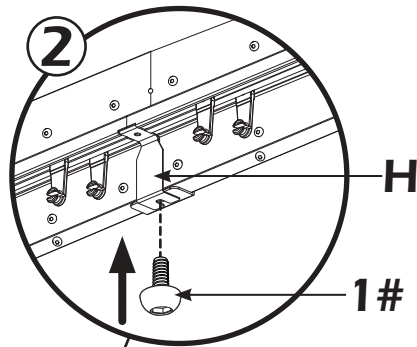
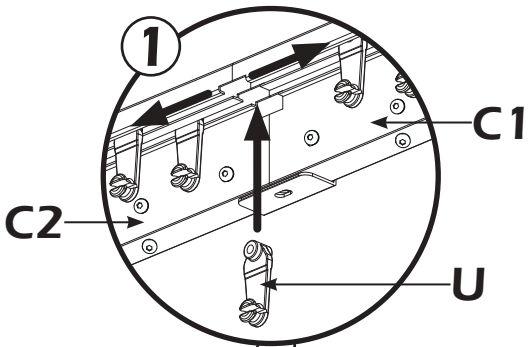
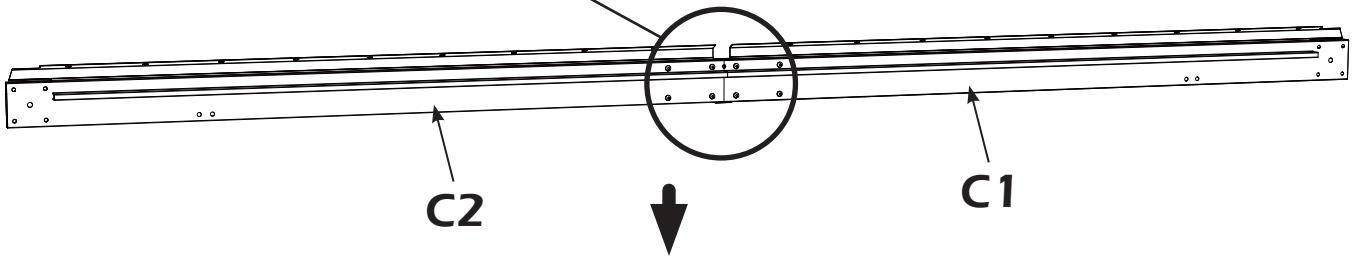
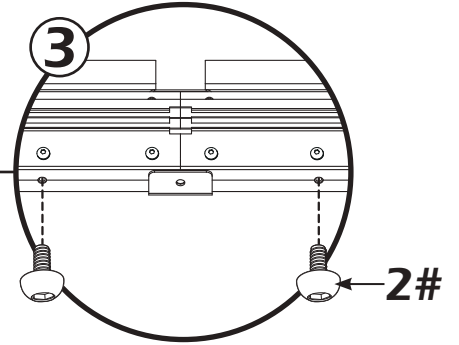
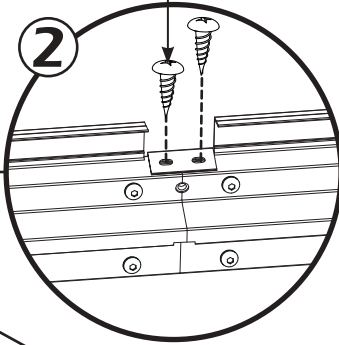
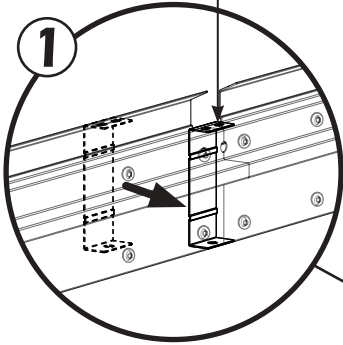
1# × 2



G2

9#

Tighten screw 9# in this step.

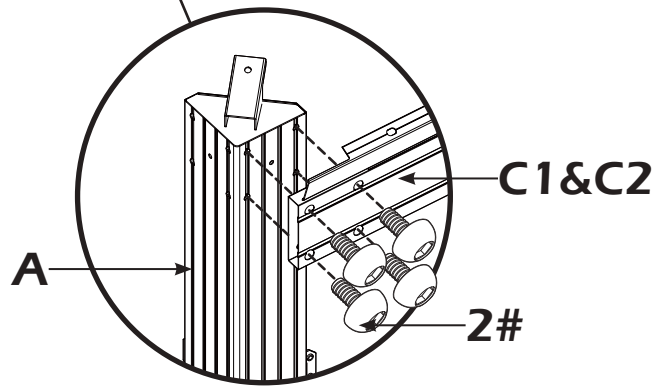
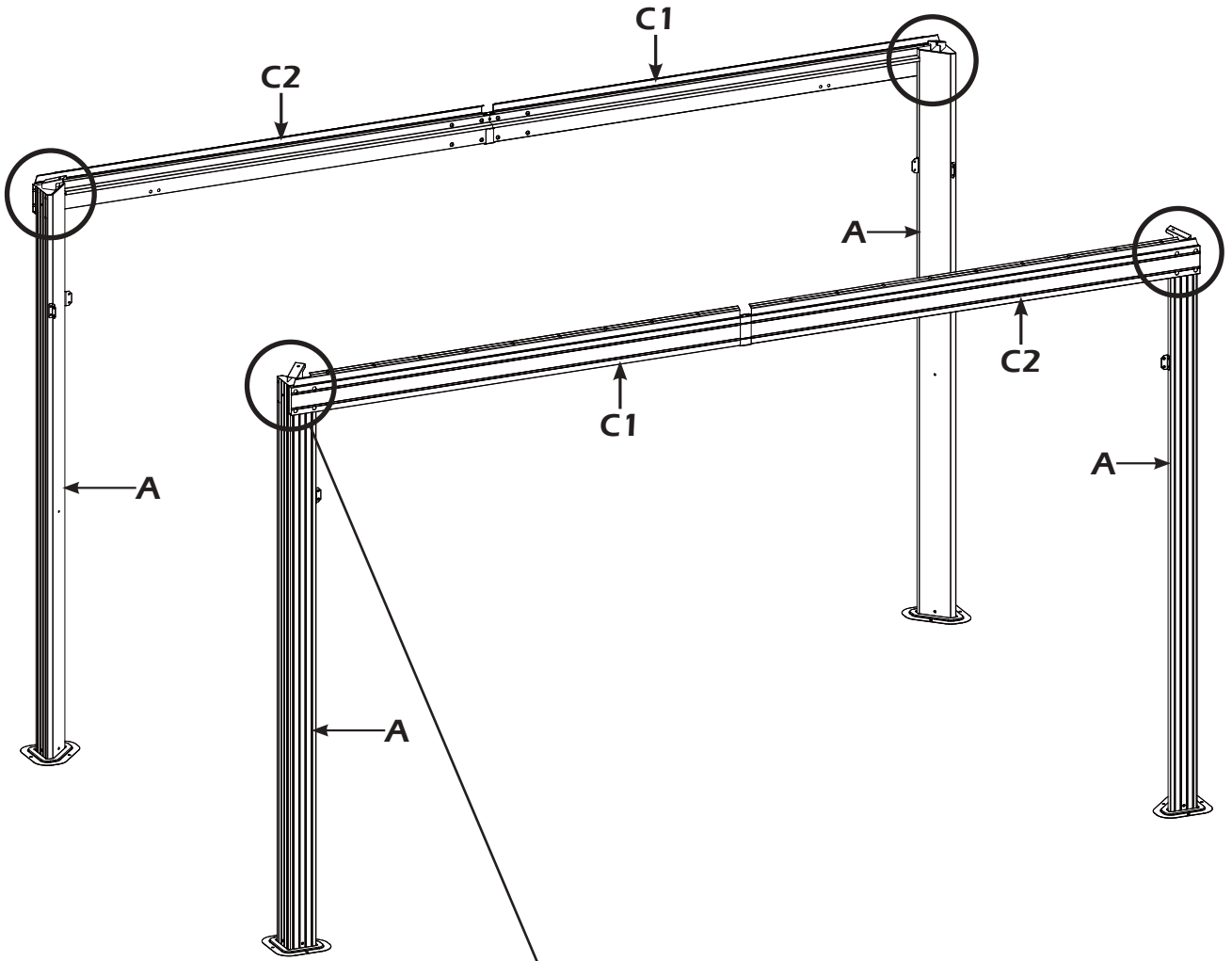


Put the hooks into inside track as well as outside track.

STEP 1



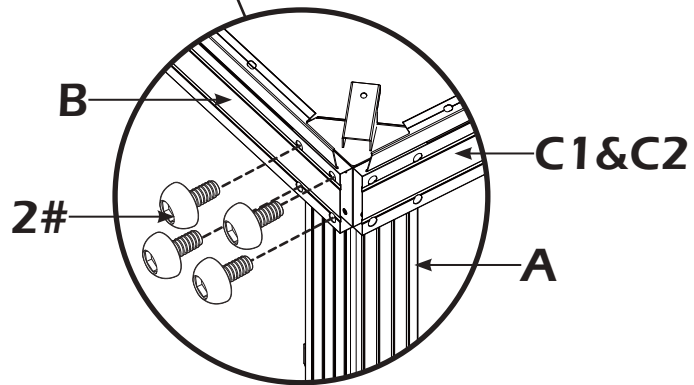
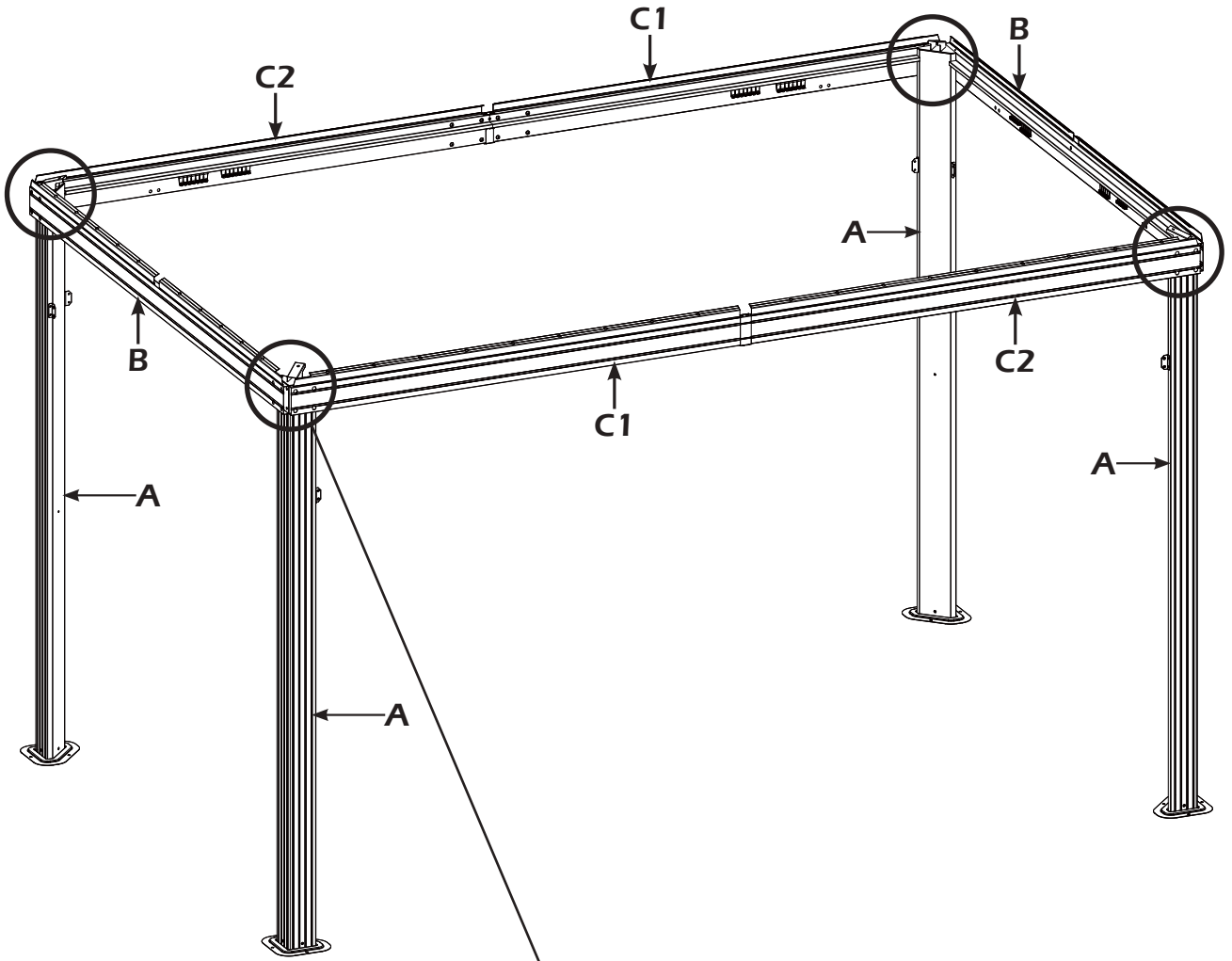
2# × 16



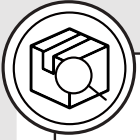
STEP 1




2# × 16




STEP 1



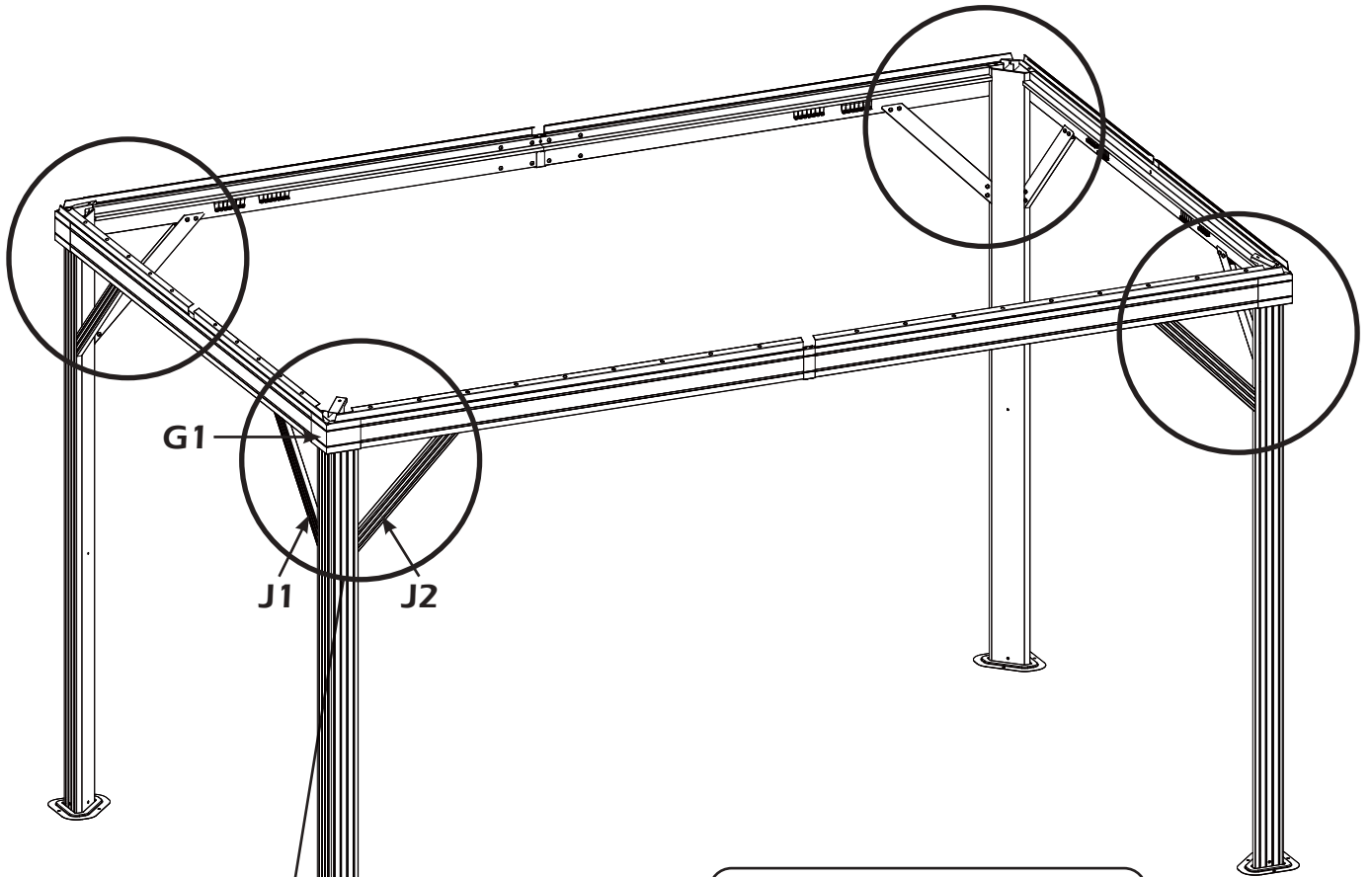
J1 × 4 

J2 × 4 

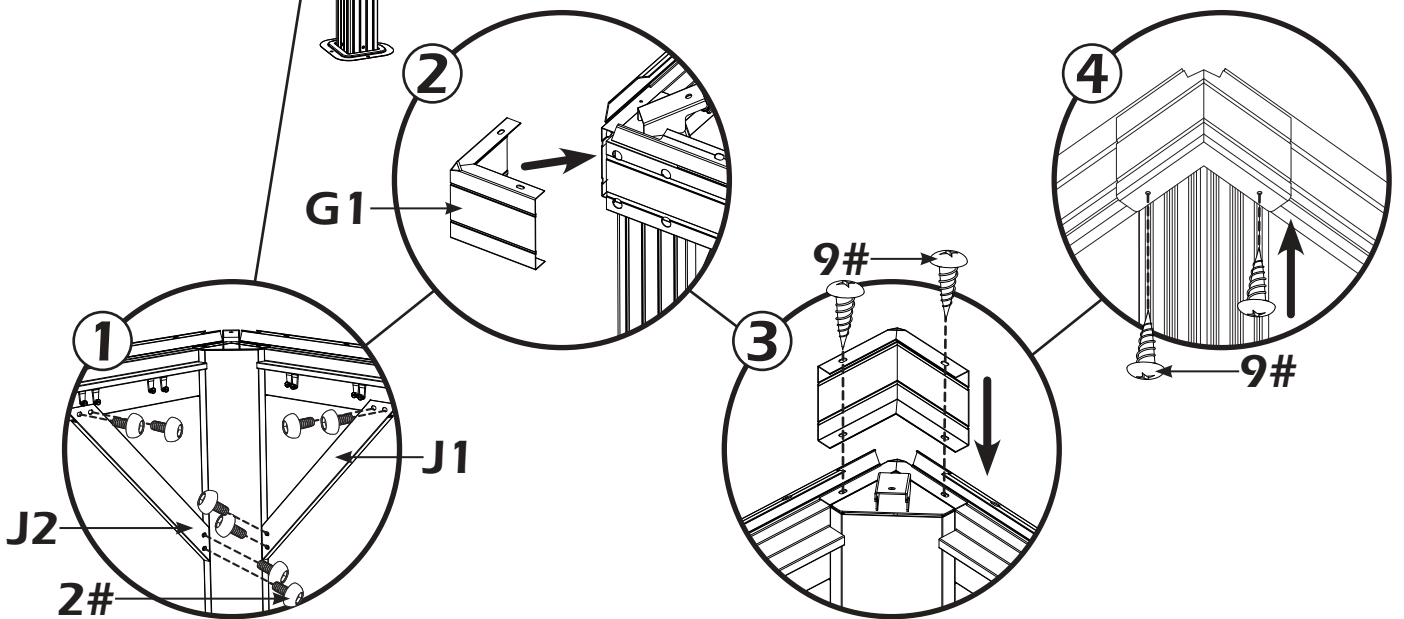
2# × 32 

G1 × 4 

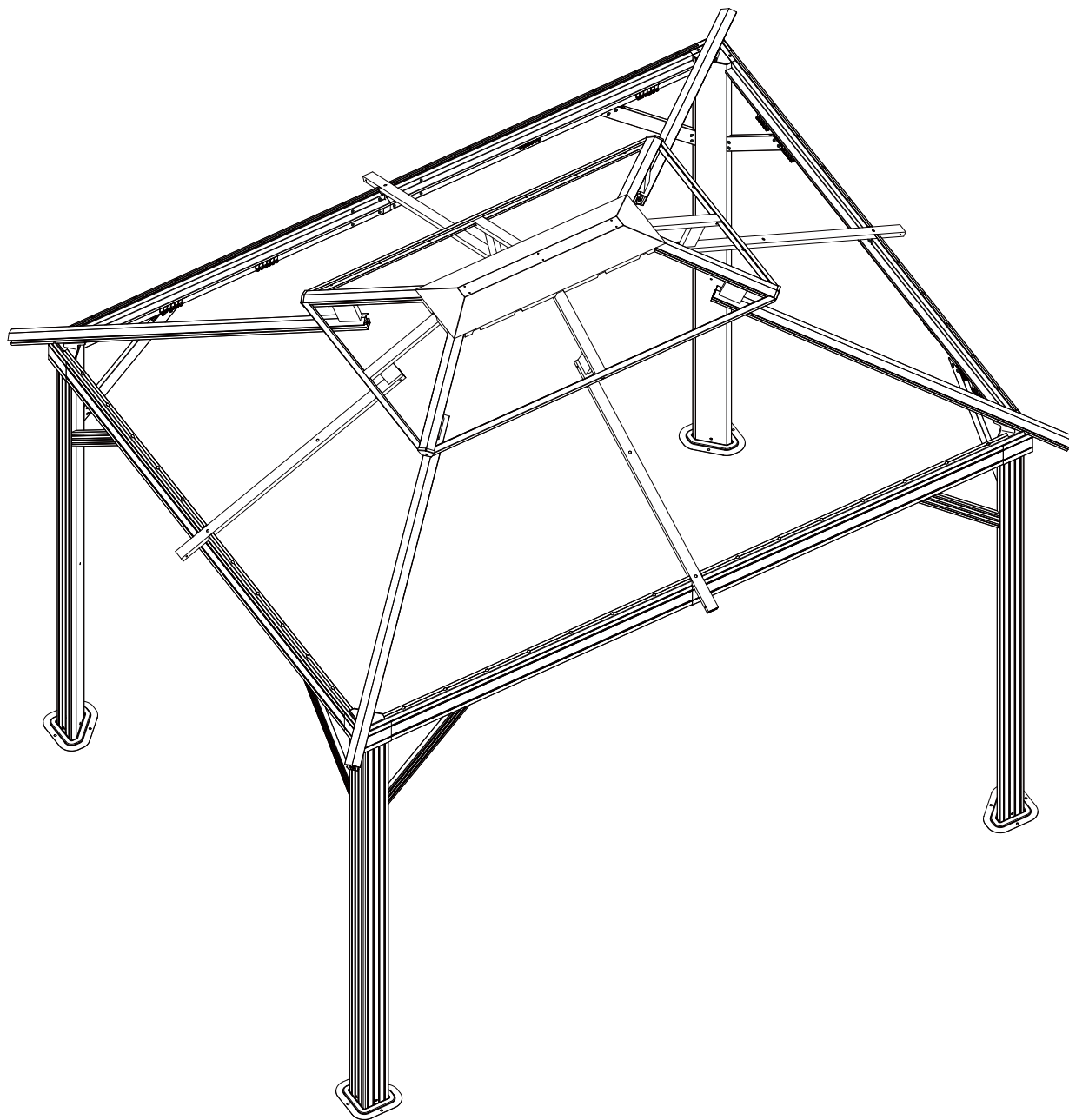
9# × 16 



Tighten screw 9# in this step.

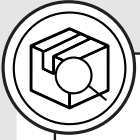


STEP 1



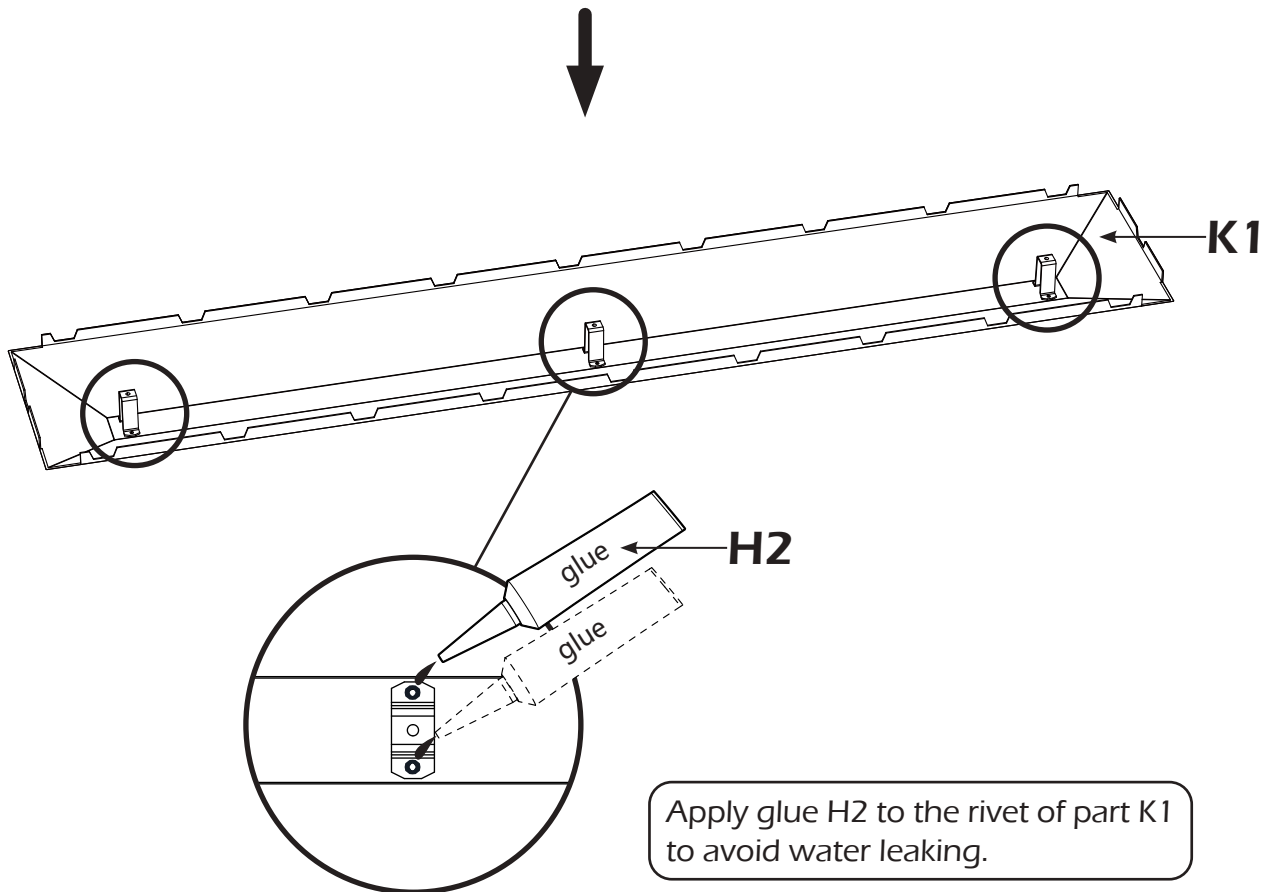
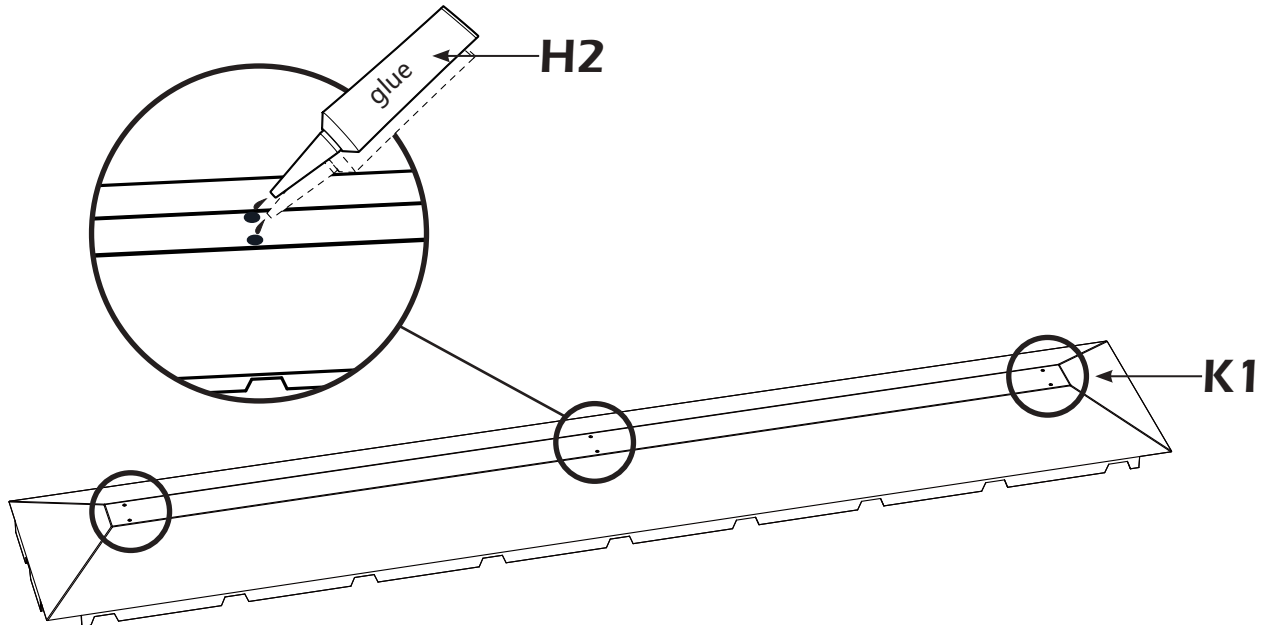
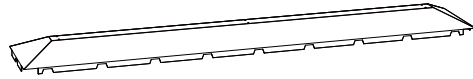
*Anchor the gazebo once finish **Step 2**.

STEP 2



H2×1 glue

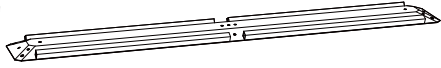
K1×1



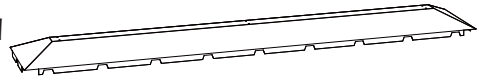
STEP 2



K × 1



K1 × 1



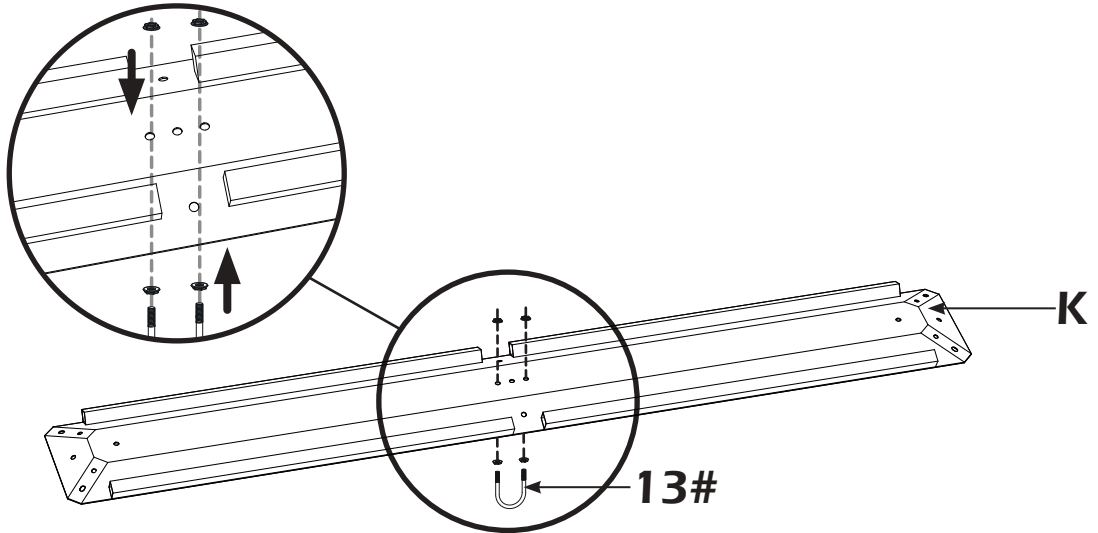
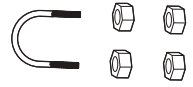
1# × 1



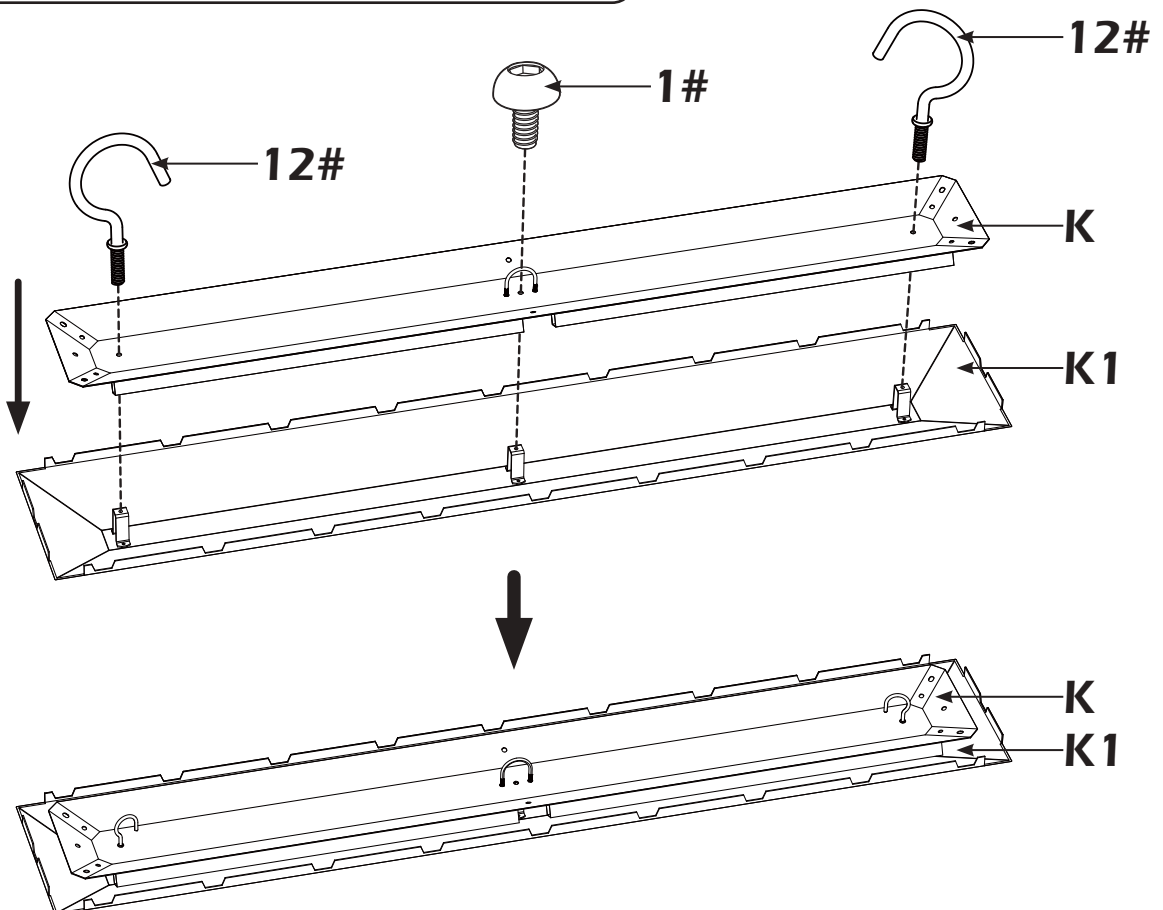
12# × 2



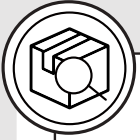
13# × 1



Don't fully tighten the screw 12# and 1# .
It might cause problems on panel installation.





STEP 2



M × 4 

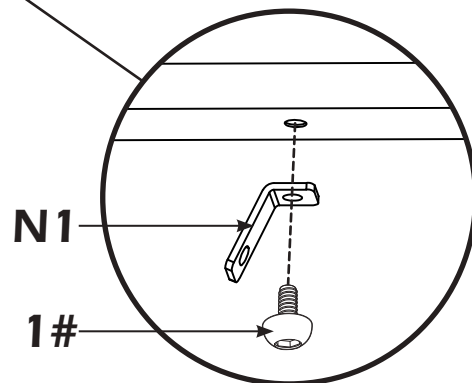
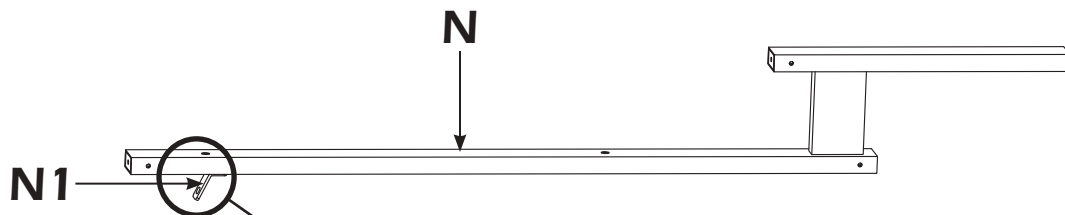
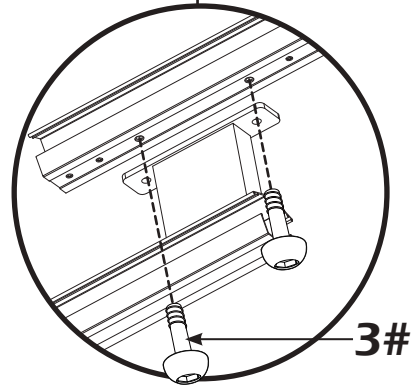
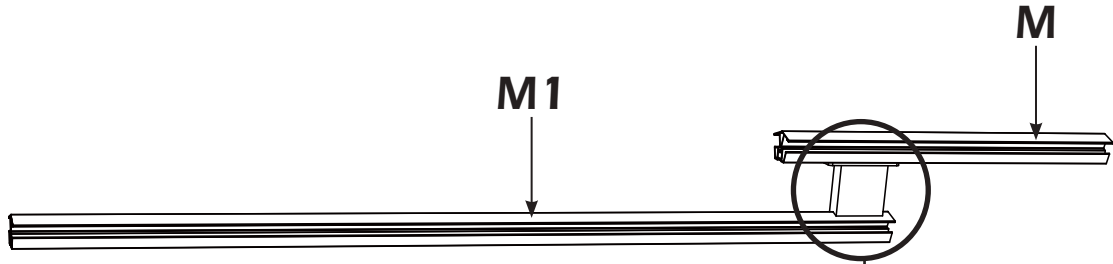
M1 × 4 

N × 4 

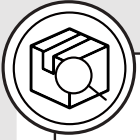
N1 × 4 

1# × 4 

3# × 8 



STEP 2



M × 1



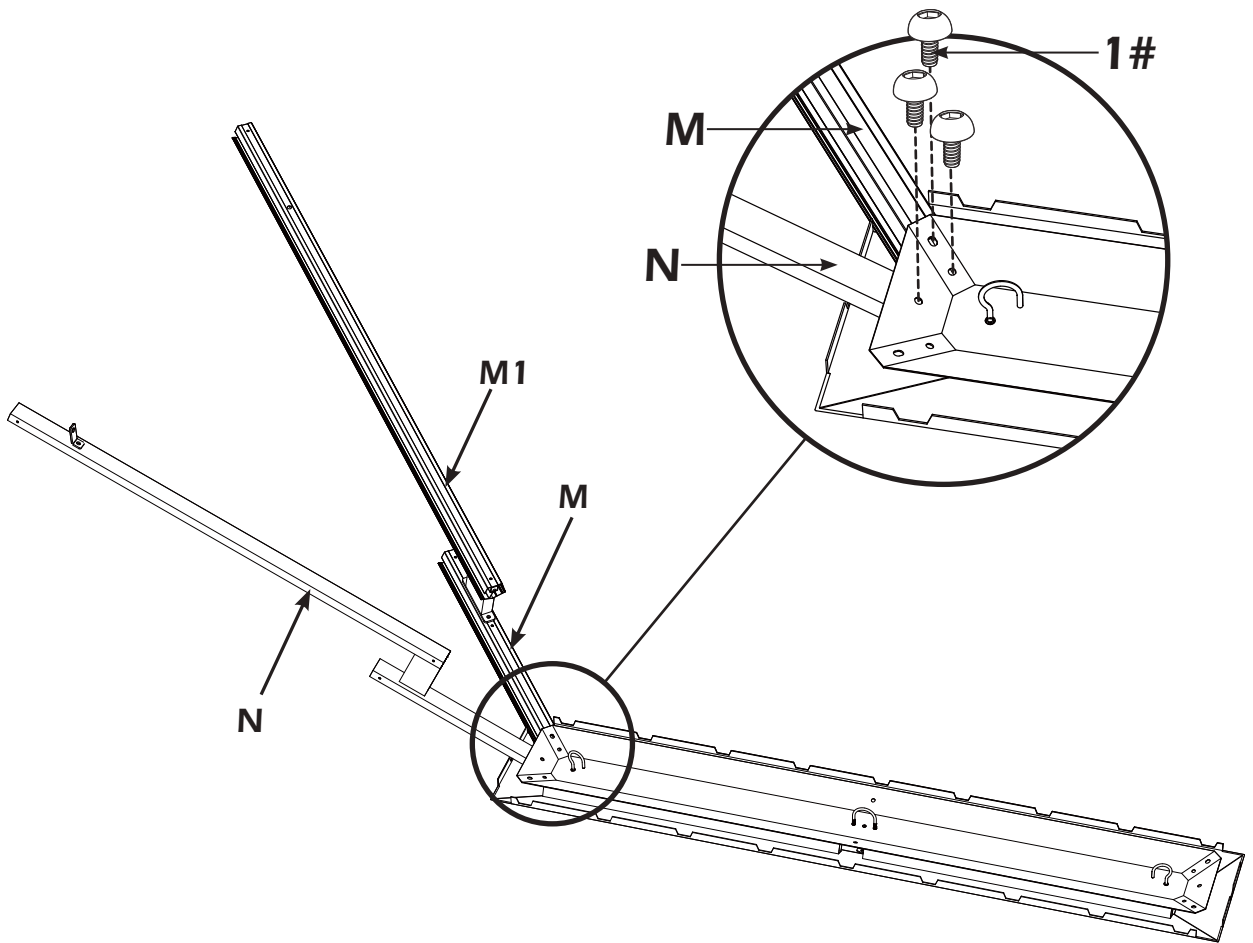
M1 × 1



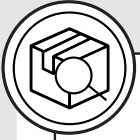
N × 1



1# × 3

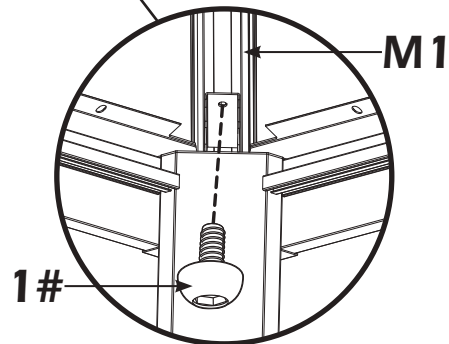
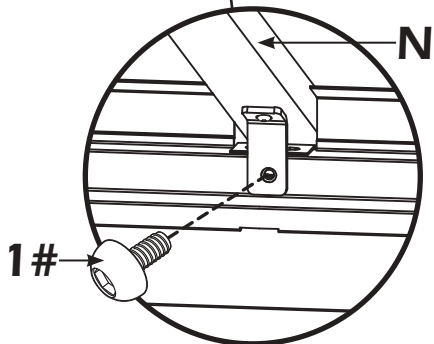
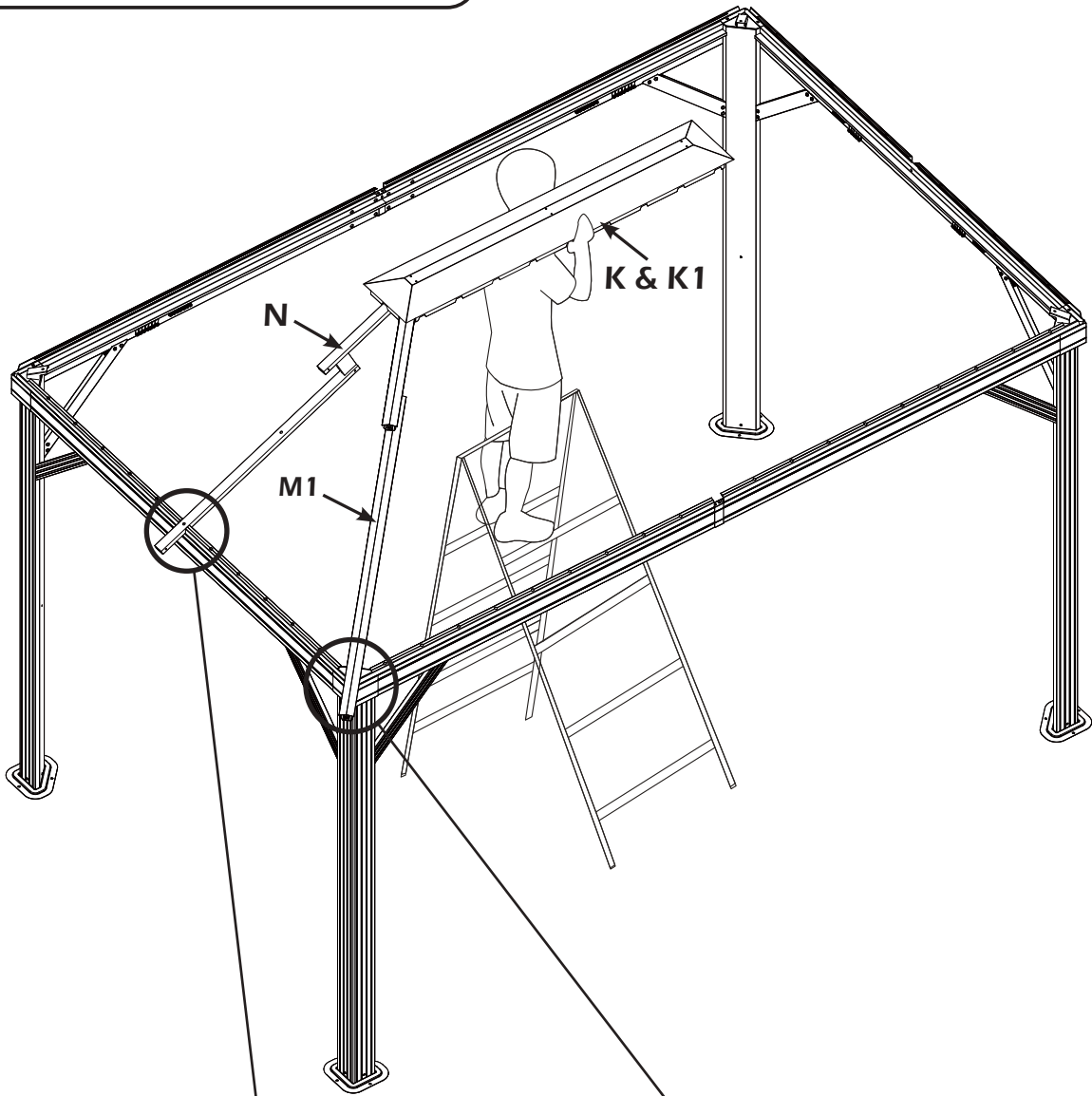


STEP 2



1#×2 

One person needs to hold part K & K1 as picture shows.



STEP 2

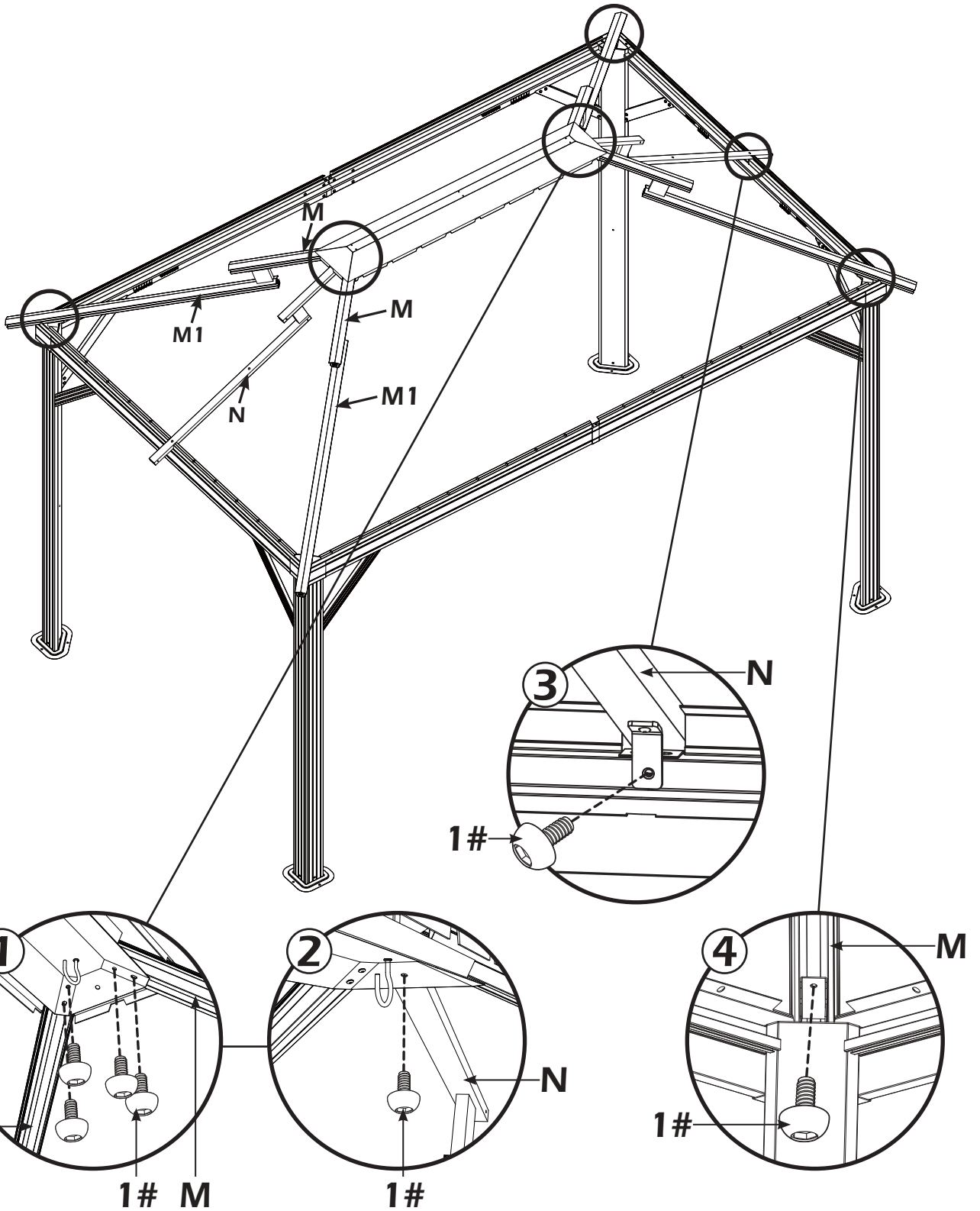


M × 3

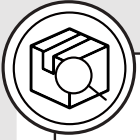
M1 × 3

N × 1

1# × 11



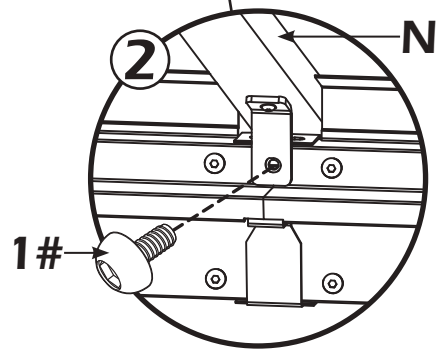
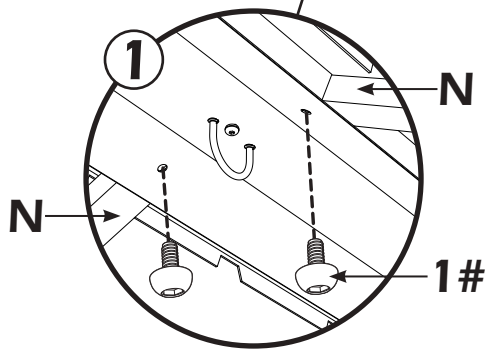
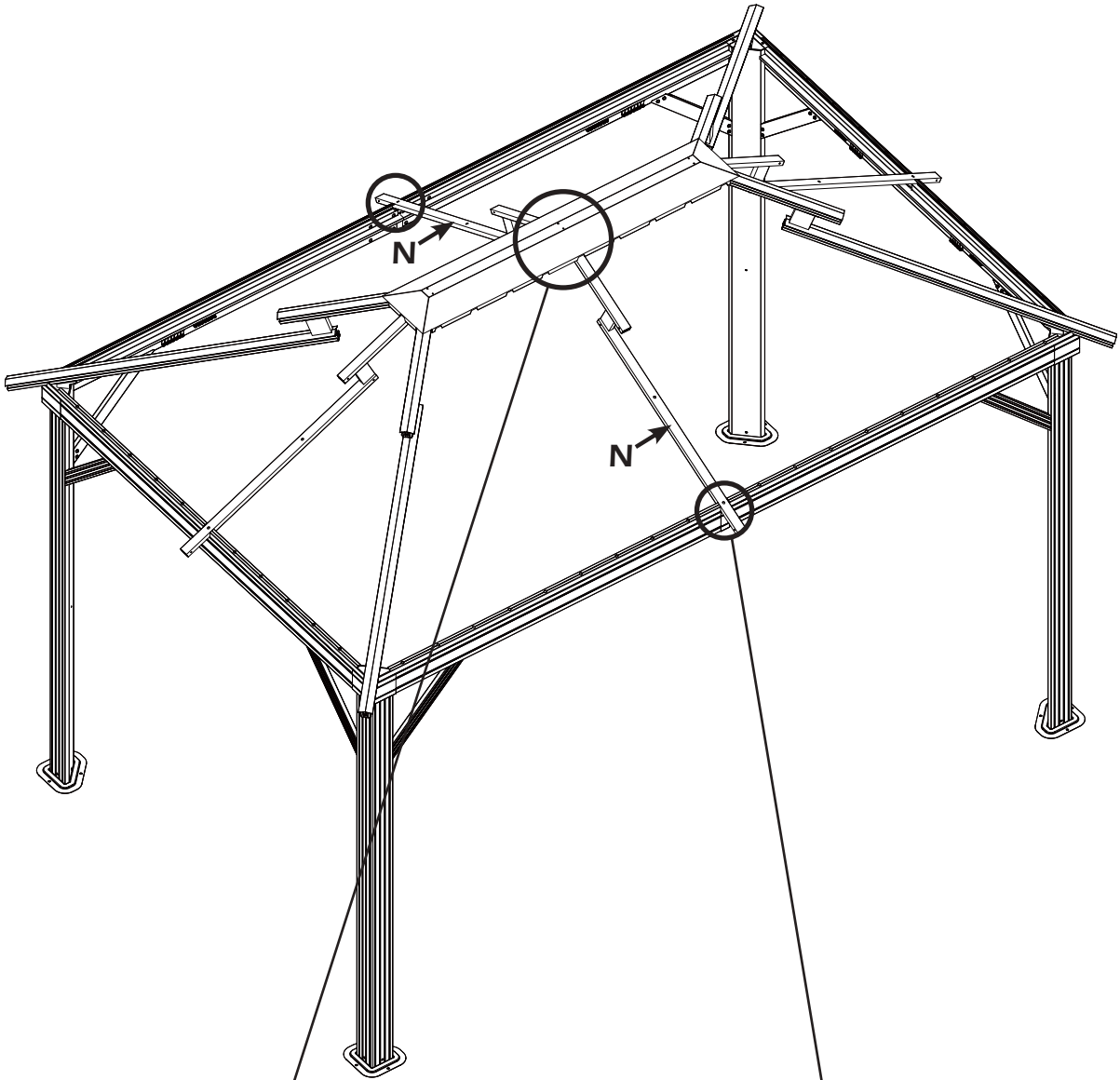
STEP 2



N × 2



1# × 4



STEP 2