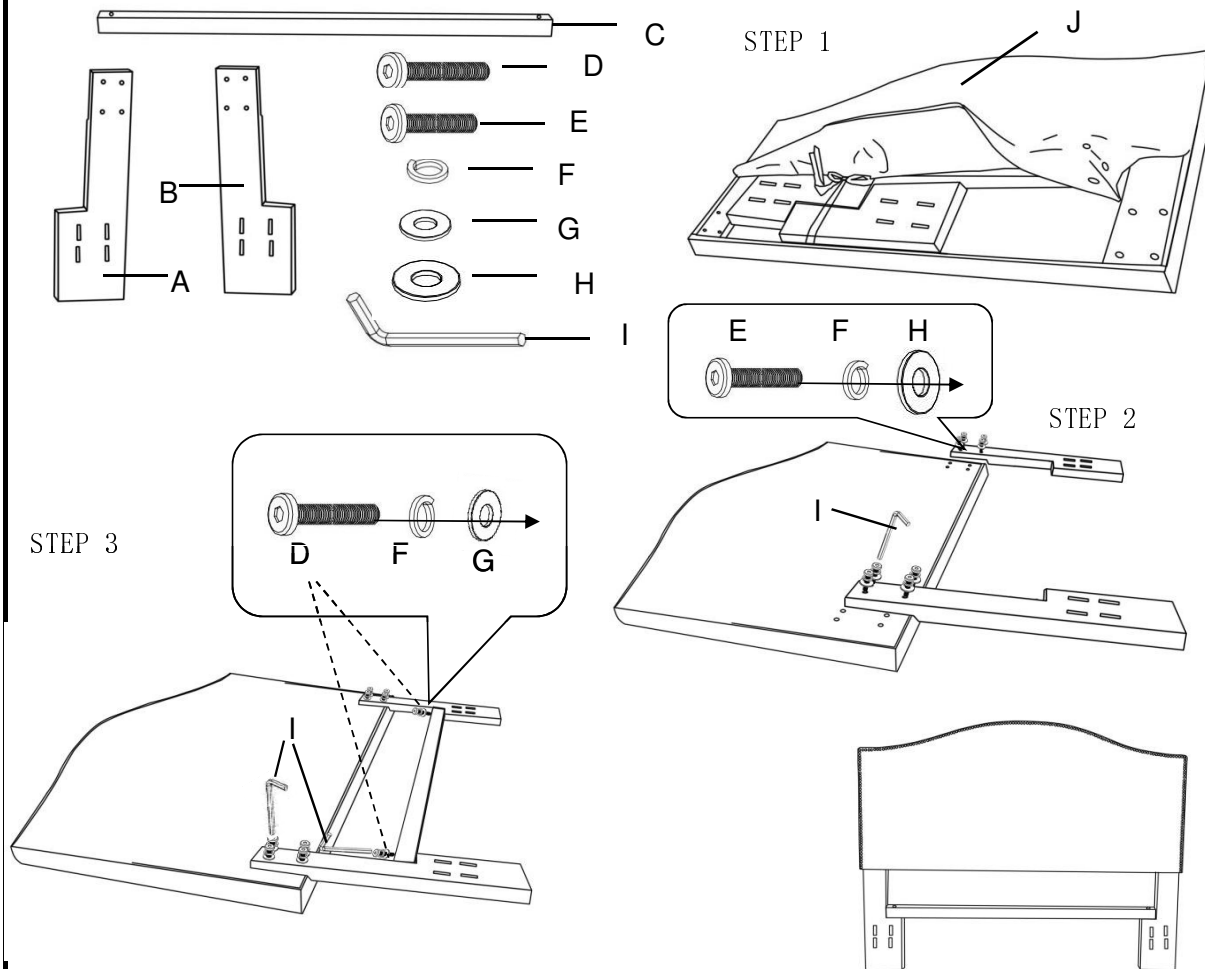


Assembly Picture



Assembly Instruction

Carefully unpack all parts before attempting to assemble.

STEP ONE Open the Velcro of the back and take the parts pack out.

STEP TWO Take all parts out, Attach the legs into the headboard holes, by inserting the bolts into the legs holes. Not Fully tightened with the Allen key .

STEP THREE Put Slat between the legs, by inserting the bolts into the leg holes, tighten with the Allen key, then tighten all bolts

Parts List

A - Leg (Left Facing)	1
B - Leg (Right Facing)	1
C - Slat	1
D - Bolt M8*6.5cm	2
E - Bolt M8*5cm	8
F - Lock washer	10
G - Flat washer - Small	2
H - Flat washer - Large	8
I - Allen key	1
J - Headboard	1