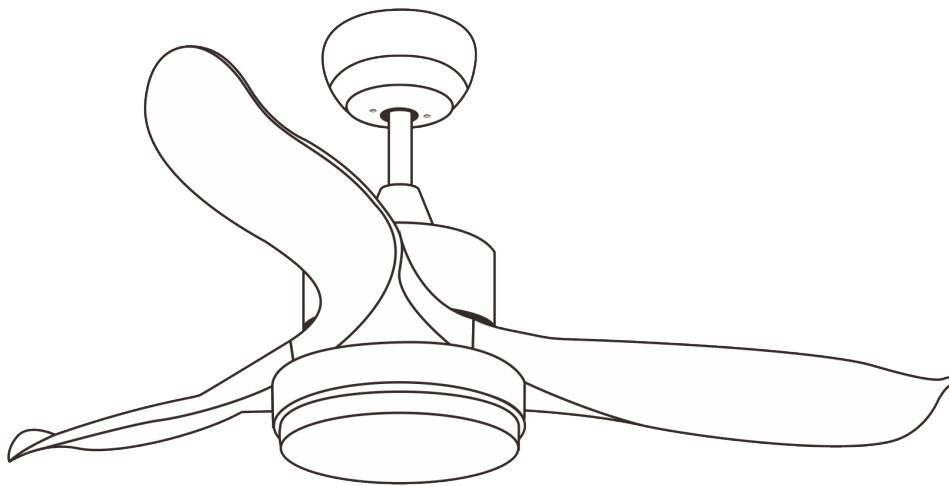


INSTALLATION INSTRUCTIONS



Warning: Turn off the power before installation.

1. TOOLS AND MATERIALS REQUIRED

Philips screw driver
Blade screw driver
11 mm wrench
Step ladder
Wire cutters



2. PACKAGE CONTENTS

Unpack your fan and check the contents. You should have the following items:

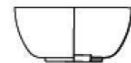
- a. Fan blades(3)
- b. Ceiling mounting bracket
- c. Canopy
- d. Ball/downrod assembly
- e. Additional downrod
- f. Coupling cover
- g. Fan motor
- h. Light plate
- i. LED light source
- j. Light cover
- k. Remote control set
- l. Balance kit & Accessories bag



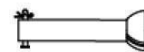
a



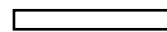
b



c



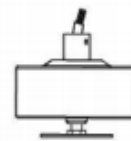
d



e



f



g



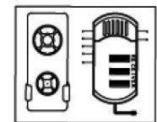
h



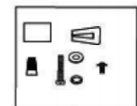
i



j



k



l

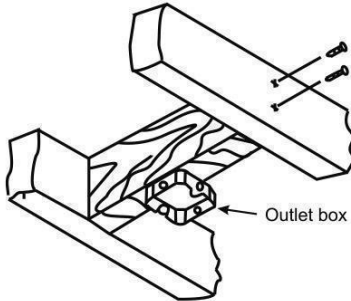


Fig. 1

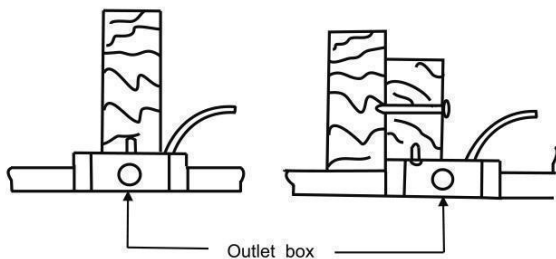


Fig. 2

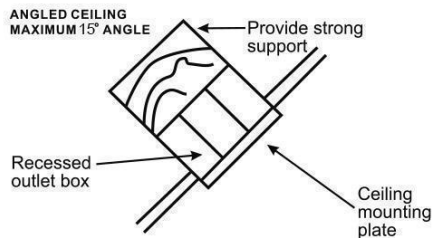


Fig. 3

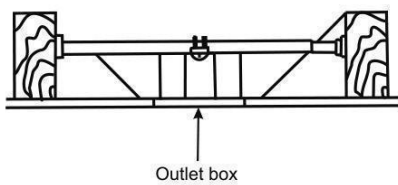


Fig. 4

3. MOUNTING OPTIONS

If there isn't an existing UL (cUL for Canadian Installation) listed mounting box, then read the following instructions. Disconnect the power by removing fuses or turning off circuit breakers.

Secure the outlet box directly to the building structure. Use appropriate fasteners and building materials. The outlet box and its support must be able to fully support the moving weight of the fan (at least 50 lbs). Do not use plastic outlet boxes.

Figures 1, 2 and 3 are examples of different ways to mount the outlet box.

NOTE: If you are installing the ceiling fan on a sloped (vaulted) ceiling, you may need a longer downrod to maintain proper clearance between the tip of the blade and the ceiling. A minimum clearance of 12" is suggested for optimal operation.

NOTE: Depending on the location you have selected for installation, you may need to purchase and install a "Joist Hanger" for the support of the outlet box. Make sure the joist hanger you purchase has been designed for use with ceiling fans. (Fig. 4)

4. HANGING THE FAN

REMEMBER to turn off the power. Follow the steps below to hang your fan properly.

STANDARD CEILING INSTALLATION

Step 1. Loosen the screws on the fan hanger and fix the fan hanger to the ceiling outlet box with wood screws. Pass the 110-volt supply wires through the center hole in the ceiling fan hanger.

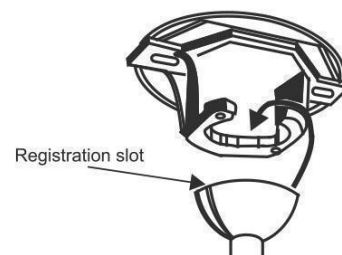
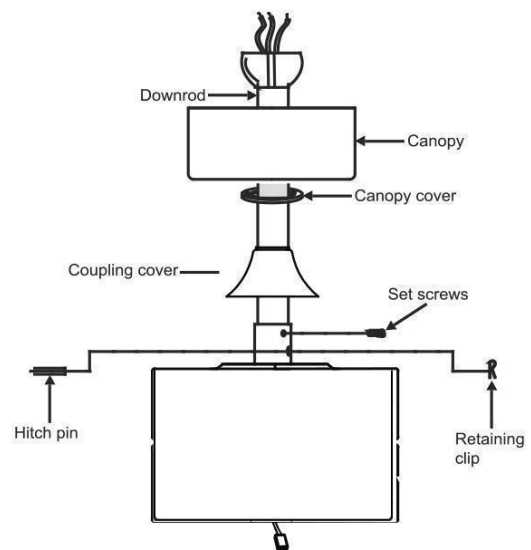
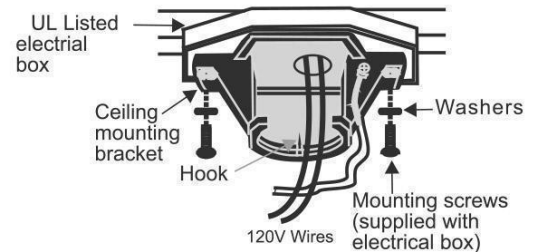
Step 2. Remove the pin and clip from the downrod. Then partially loosen the two set screws in the yoke at the top of the motor assembly

Step 3. Slip orderly the canopy, canopy cover and coupling cover onto the downrod upwards; and then feed the lead wires from fan motor pass through the downrod.

Step 4. Install the downrod into yoke. Slide the downrod into the yoke at the top of the motor assembly. Align the holes. Insert the Hitch Pin through the downrod and then re-install the retaining clip; then tighten the set screws.

Step 5. Place the downrod ball into the hanger bracket socket. Rotate the entire assembly until the "Check Tab" has dropped into the "Registration Slot" and is seated firmly. **The entire motor assembly should not wobble (left or right) when seated properly.**

WARNING: Failure to reattach the cross pin and seat the "Check Tab" can cause the fan to fall from the ceiling during operation. Take special care to make sure this pin is reattached.

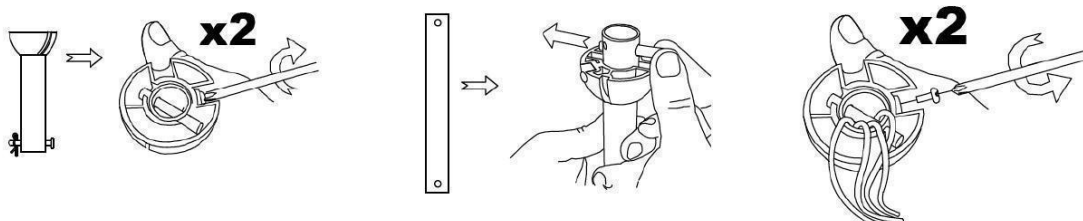


CHANGING THE DOWNROD (OPTIONAL)

NOTE: Your fan comes with an additional downrod in case the ceiling is higher. In this case, perform the following steps for correct installation:

1. Remove the hanger ball from downrod by loosening the set screw at the top of the downrod which holds the hanger ball to the downrod.
2. Slide the hanger ball down the downrod and remove the support pin.
3. Insert the support pin in the holes at the top of the downrod and slide the hanger ball up the downrod. Make sure the support pin is properly seated in the grooves in the top of the hanger ball.
4. Tighten the set screws firmly.

WARNING: To prevent the fan wobble and serious injury. Make sure to attach the support pin properly and tighten the set screws firmly.



5. ELECTRIC CONNECTIONS

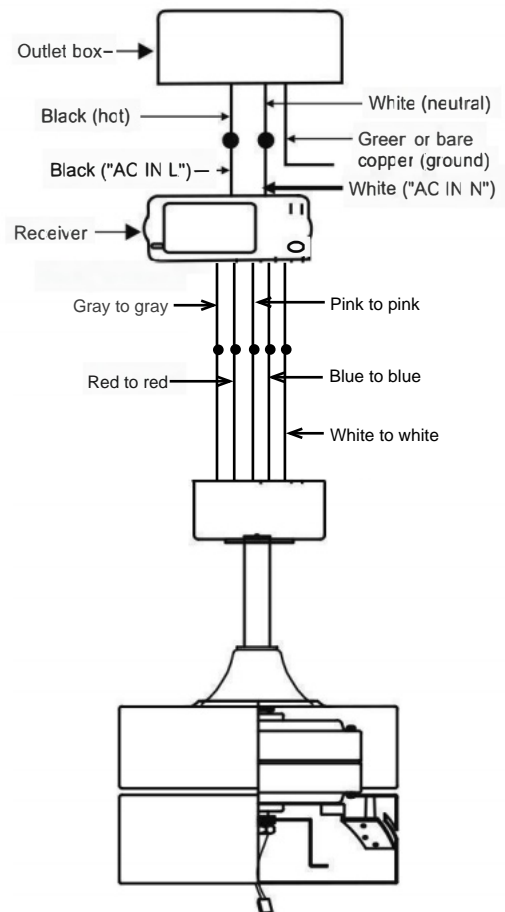
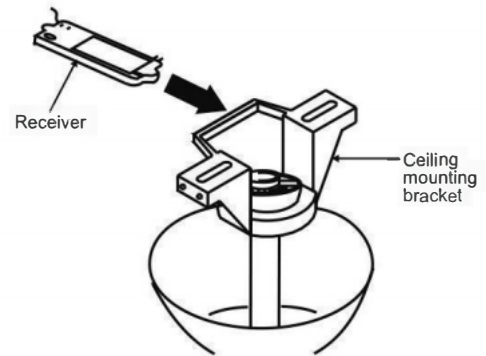
WARNING: To avoid possible electrical shock, be sure you have turned off the power at the main circuit panel. Follow the steps below to connect the fan to your household wiring. Use the wire connecting nuts provided with your fan. Secure the connectors with electrical tape. Make sure there is no loose wire strand or connection.

STEP 1. Insert the receiver into the ceiling mounting bracket with the side of the receiver facing the ceiling. For best performance, make sure the White Antenna, on the end of the receiver, remains extended and not tangled with any of the electrical wires.

STEP 2. Motor to Receiver Electrical Connections: Connect the colorful wires (5) from receiver with the colorful leadwires (5) from fan motor, follow the corresponding rules as below: pink to pink, red to red, gray to gray, blue to blue, white to white. Secure each set of wire connections with the wire nuts provided in the parts package.

STEP 3. Receiver to Supply Wires Electrical Connections: Connect the black wire from the ceiling outlet box to the black wire marked "AC in L" on the receiver. Connect the white (neutral) wire from the ceiling outlet box to the white wire marked "AC in N" on the receiver. Secure each set of electrical connections with the plastic wire nuts provided in the parts bag.

NOTE: Fan must be installed at a maximum distance of 30 feet from the Hand-held Remote Transmitter for optimal signal transmission between the transmitter and the fan's receiving unit.

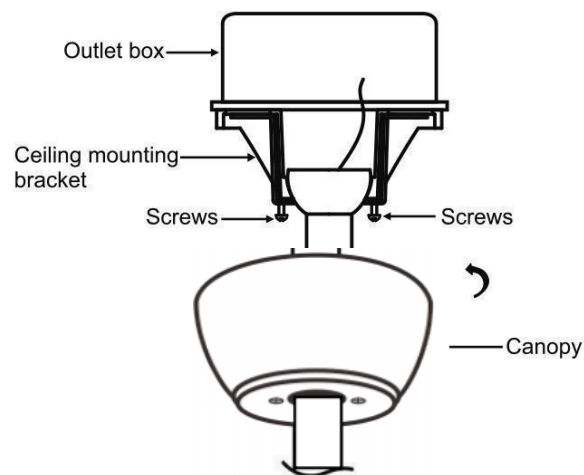


6 . INSTALL CANOPY

Step1. Tuck all connections neatly into ceiling outlet box.

Step 2. Slide canopy up to mounting bracket and place one of key hole slots over the mounting screw on mounting bracket.

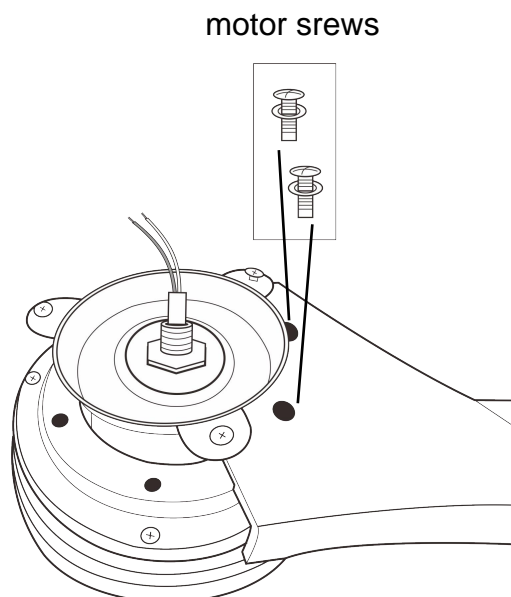
Step 3. Rotate canopy until screw head locks in place at narrow section of key hole.



7 . INSTALL FAN BLADES

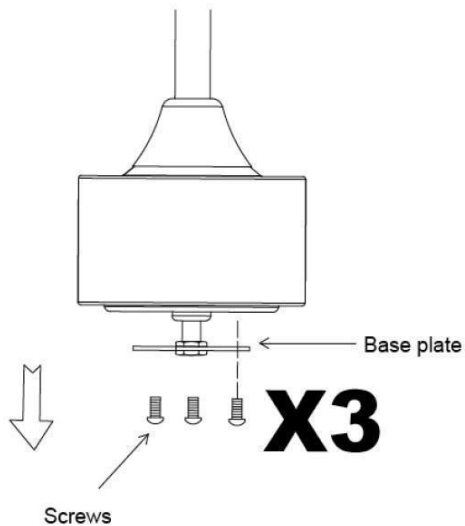
Insert a blade screw from the package through the blade hole and position it under the motor so that the screw is aligned with the "center" hole position of any group of two screw holes.

Using the screwdriver to secure the blade to the motor, but do not overtighten. Repeat for the rest blades. Once all blades screws are in place, gently tighten all screws with the screwdriver.

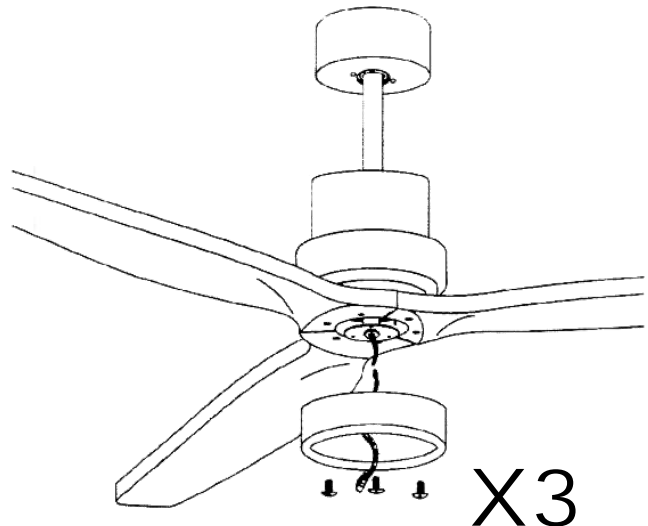


8. INSTALL LED LIGHT KIT AND LAMP SHADE

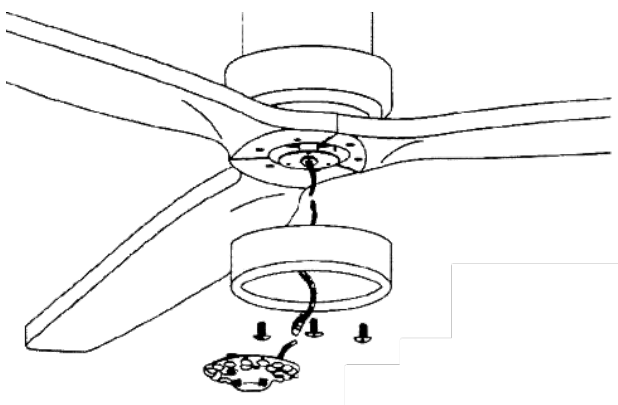
Step 1. Remove the pre-assembled screws from the base plate.



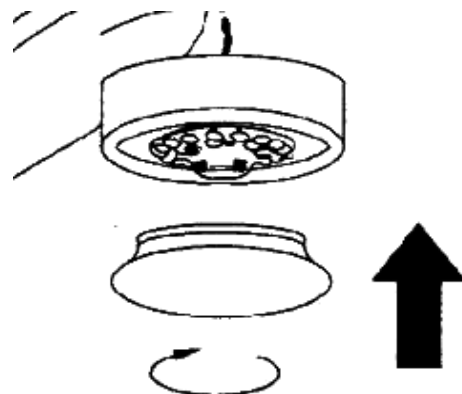
Step 2. Install the light plate onto the fan motor assembly by the 3 x screws that were removed in Step 1.



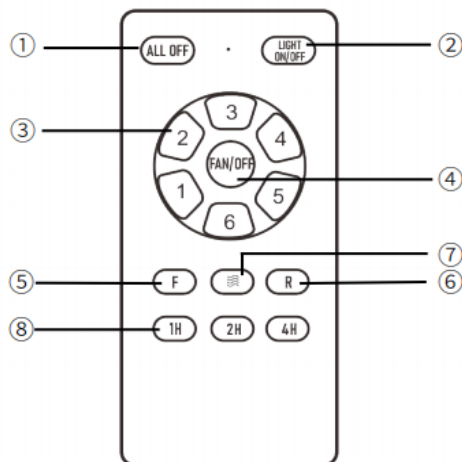
Step 3. Connecting the wire plug from LED light source to the wire plug from fan motor assembly. And then install the LED light source directly onto the light plate by the magnetic suction-cup bolt.



Step 4. Install the light cover to the light pan. Please make sure the light cover is locked in place.



9. OPERATION FOR REMOTE



- ① ALL OFF the fan.
- ② ON/OFF the light. the first click is 6000K, the second click is 3000K, and the third click is 4000K. Press again to turn off.
- ③ Fan speed.
- ④ FAN OFF.
- ⑤ Forward direction.
- ⑥ Reverse direction.
- ⑦ Natural wind.
- ⑧ Timing control of the fan(1hour,2hours,4hours).

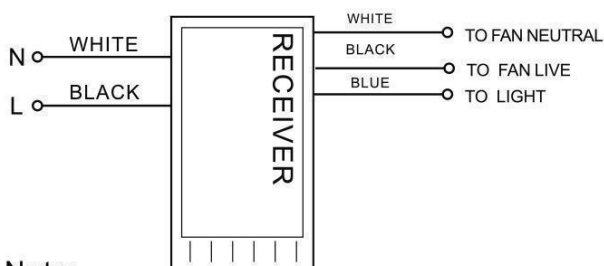
Color temperature adjustment

This LED Light Source has three color temperatures: 3000K, 4000K, 6000K.

Pressing the LIGHT button on the remote control turns the light on at its default color temperature. To change the color temperature, use the LIGHT button to turn off the LED light panel and then press it again within 5 seconds to turn the light back on at a new color temperature.

Leave the light on for more than 5 seconds before turning it off. The current color temperature will be stored as the new default setting.

Wiring diagram:



Note:

Please connect relevant components strictly following instructions on the label. Otherwise switch life will be influenced directly and the switch will fail to function.

- 1、 The fan switch must be on status, and our product can control fan.
- 2、 When the emitter can not control the receiver, please check whether battery touch is normal, the placed of anode and cathode is correct and power is enough.
- 3、 Please use product in allowable voltage, it is not normal if the voltage is too low. (Please check the label for voltage range and correlative technique parameter.)
- 4、 When the emitter can not control the receiver, please check if there are similar remote control products existing in the nearby range, and check whether their launcher buttons are pressed, because remote control products with the same properties launching electric wave at the same time, will cause mutual interference and influence the receiving effect; and that will be normal again after the remote control function is eliminated. (Exclude the remote control)
- 5、 Please take out the batteries when not use in a long time.
- 6、 Requirements for each load: bulb \leq 300W; fan \leq 120W.