

58" TV Stand

NOTE:

The instruction booklet contains **IMPORTANT** safety information Please read and keep for future reference.

OUR BRAND

We have been dedicated to providing customers with quality products and exceptional service and has prospered into one of the nation's largest retailers of indoor and outdoor home décor. Every product is carefully selected to ensure they meet our standards as well as your standards. We believe quality should never be determined by price which is why we are committed to providing high end merchandise at the absolute lowest cost.



Estimated Time for Assembly

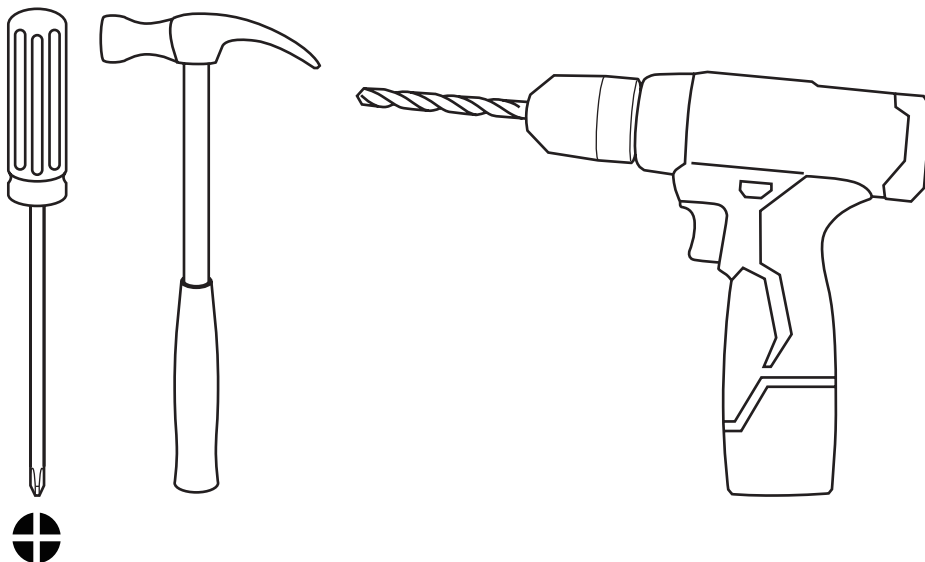
120 mins

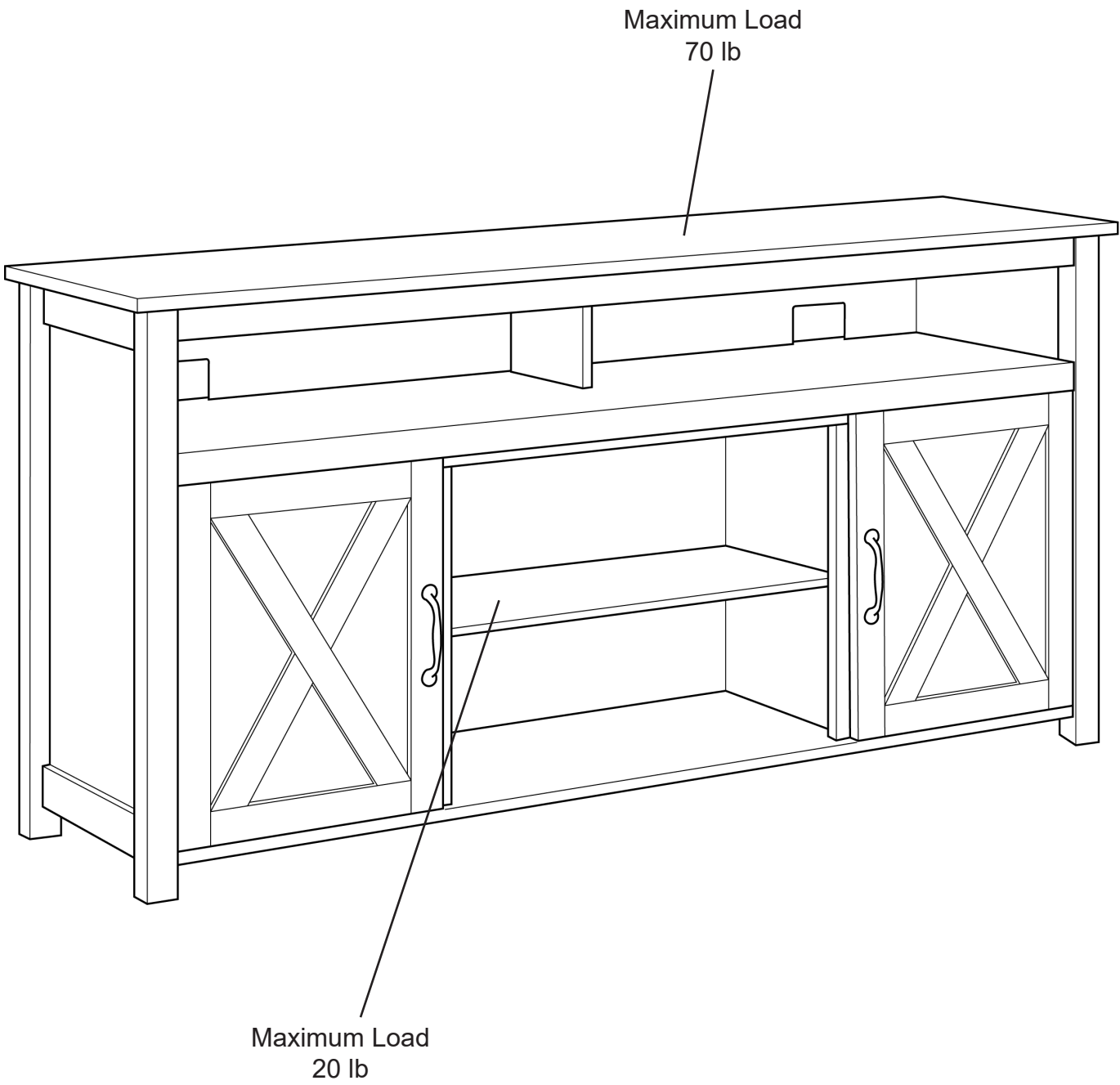


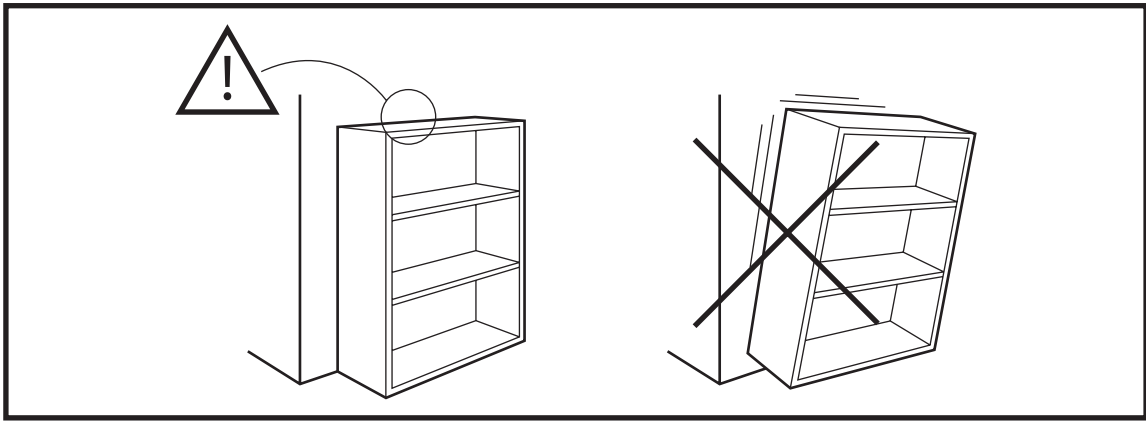
Weight Limitation

20 lb Shelf **70 lb** Top

Tools Needed (Not included)



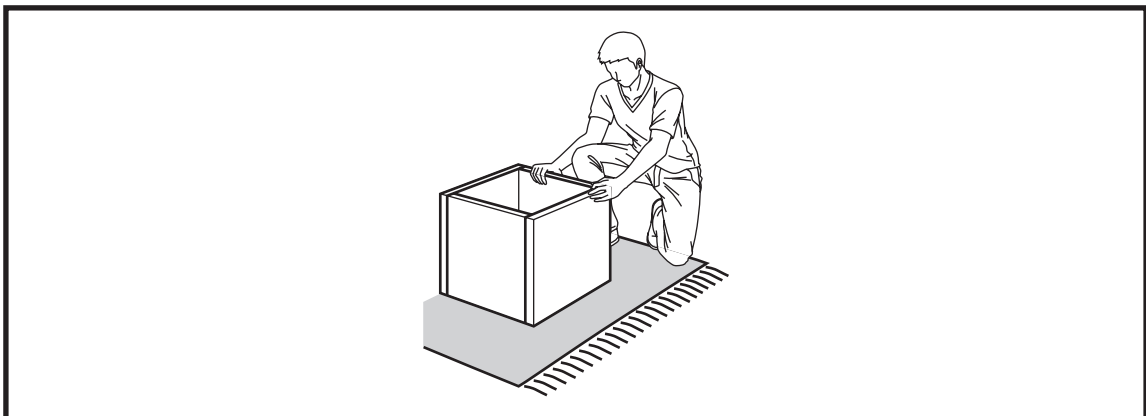




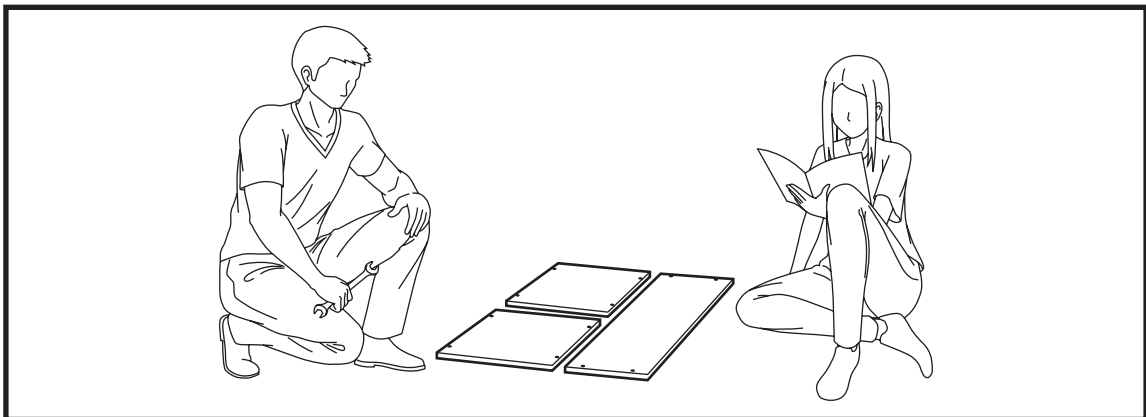
Warning

Serious or fatal crushing injuries may occur if the furniture tips over. Furniture must be permanently fixed to the wall with the included anti-tipping device to prevent the furniture from tipping over.

Different wall materials require different types of fixing devices. Use suitable fixing devices to secure the stability and load-bearing capacity of the furniture. If you are uncertain about which type of fixing device to use, please contact your local hardware store.



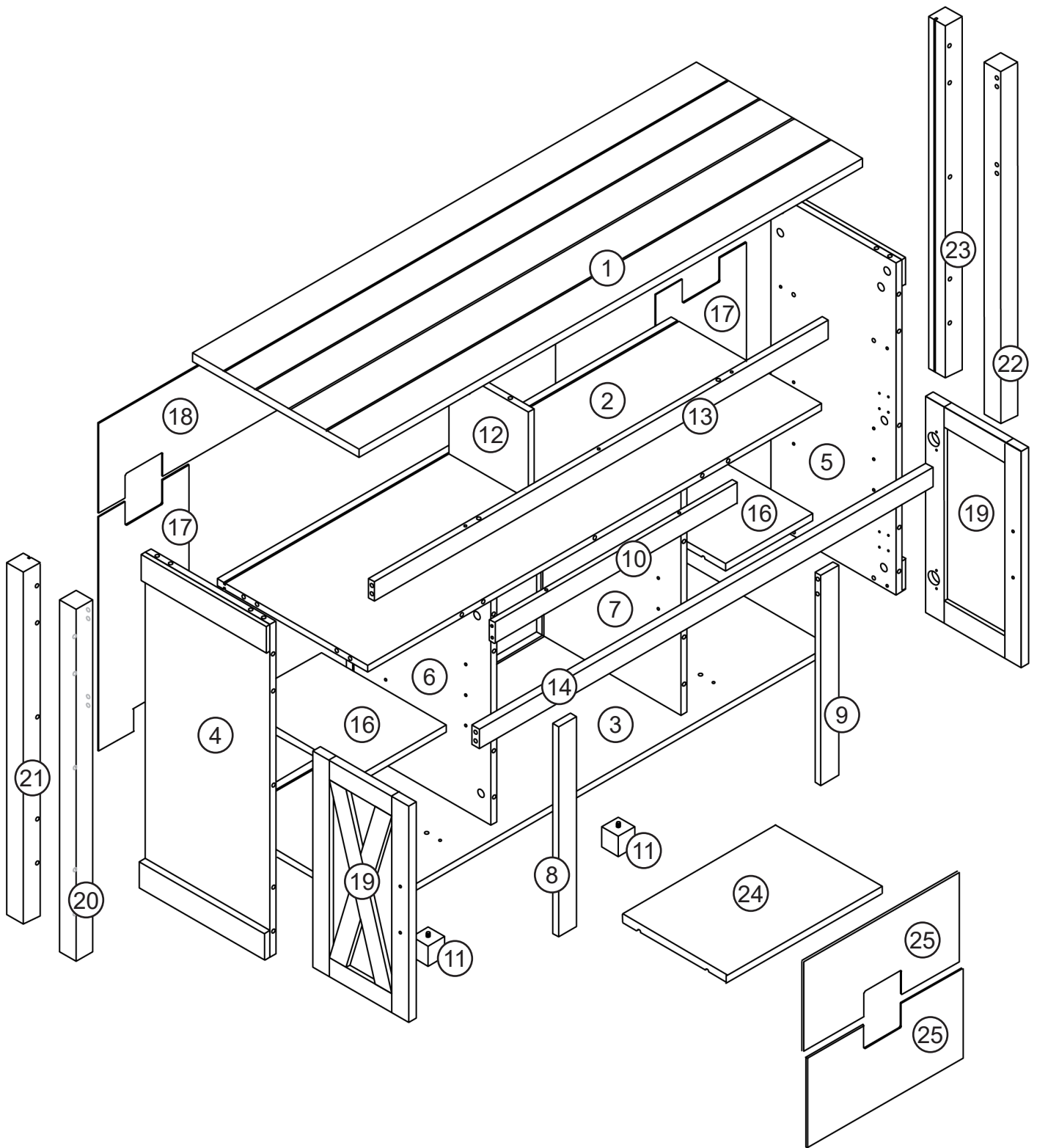
Assemble the furniture on an empty carton, carpet, or rug to prevent scratches or damage.



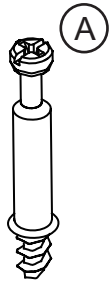
This furniture requires 2 people for assembly.

Make sure no parts are missing or damaged before assembly.

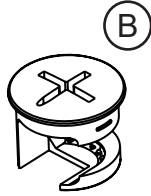
PACKAGE CONTENT



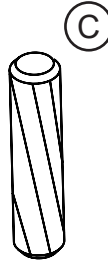
PACKAGE CONTENT



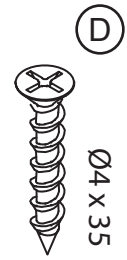
37x



37x

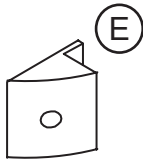


48x

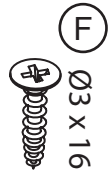


11x

Ø4 x 35



16x

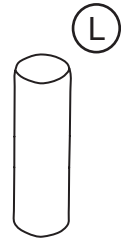


16x

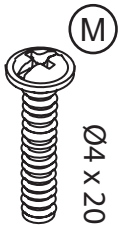
Ø3 x 16



6x

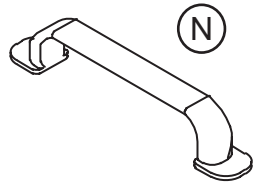


12x

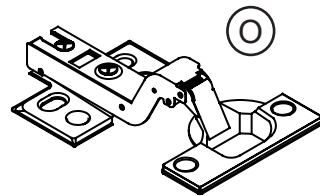


4x

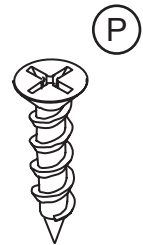
Ø4 x 20



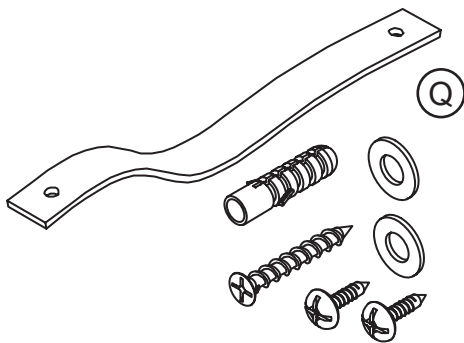
2x



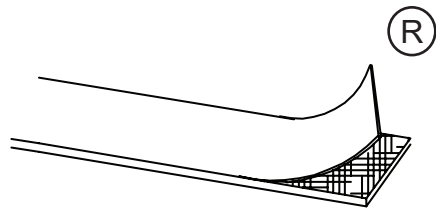
4x



24x



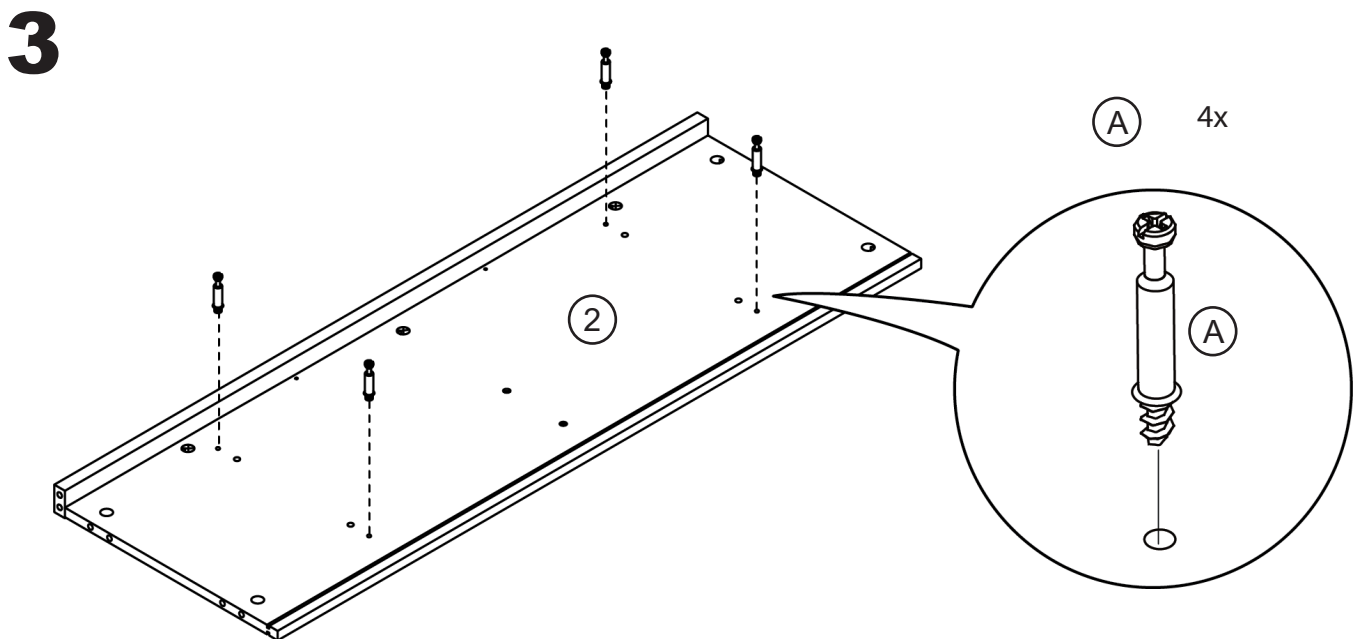
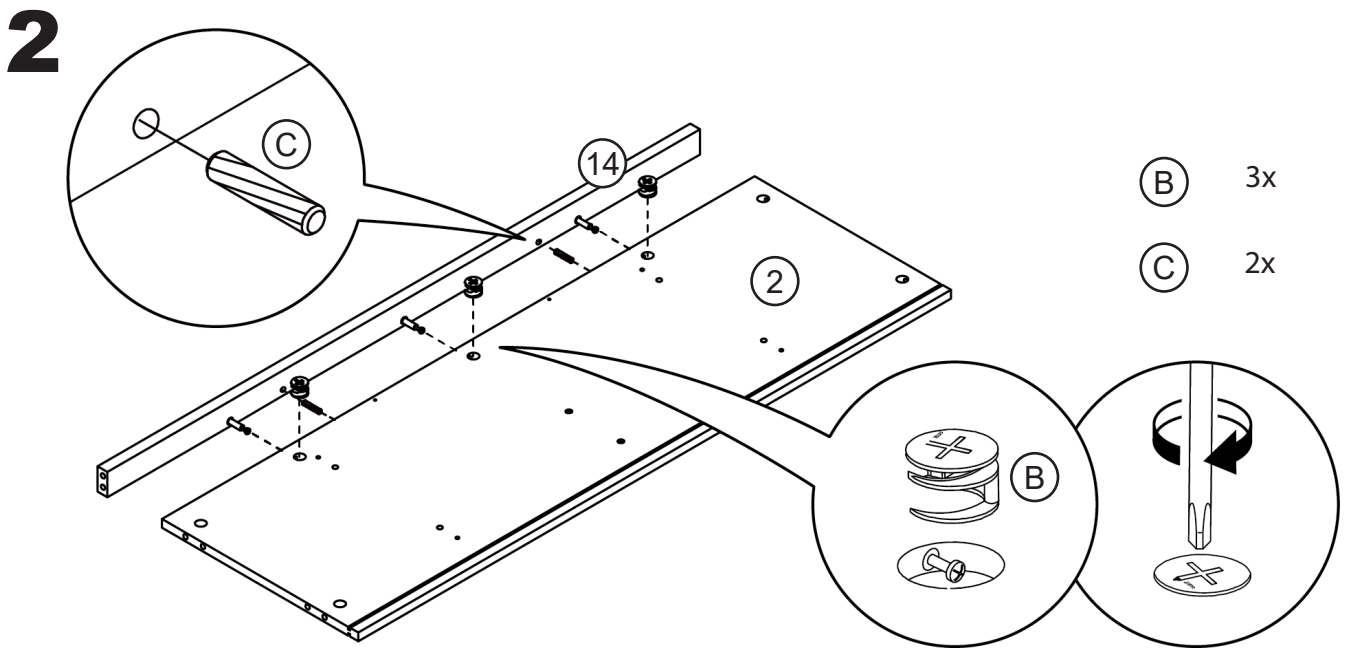
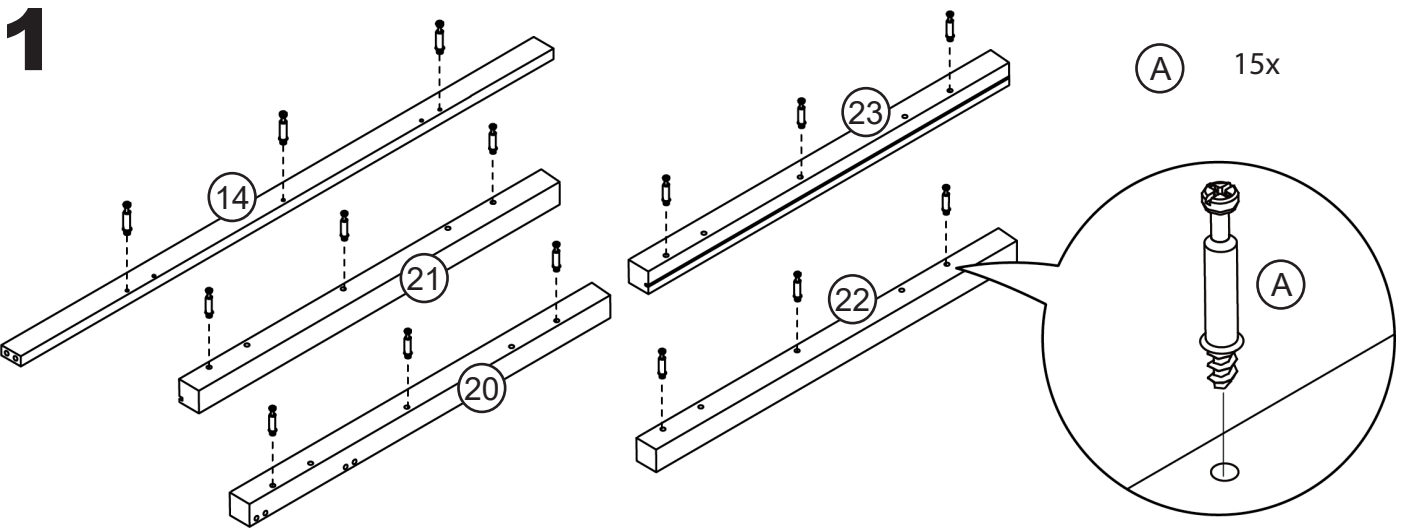
2x



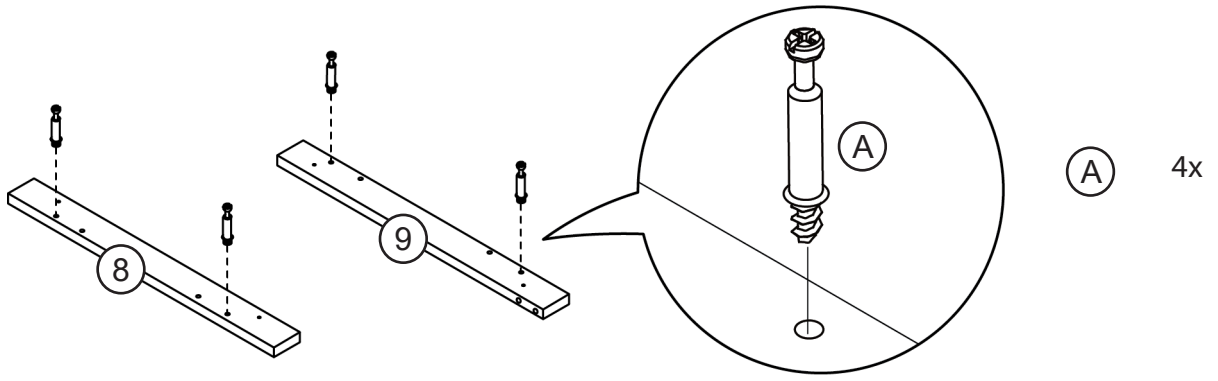
1x



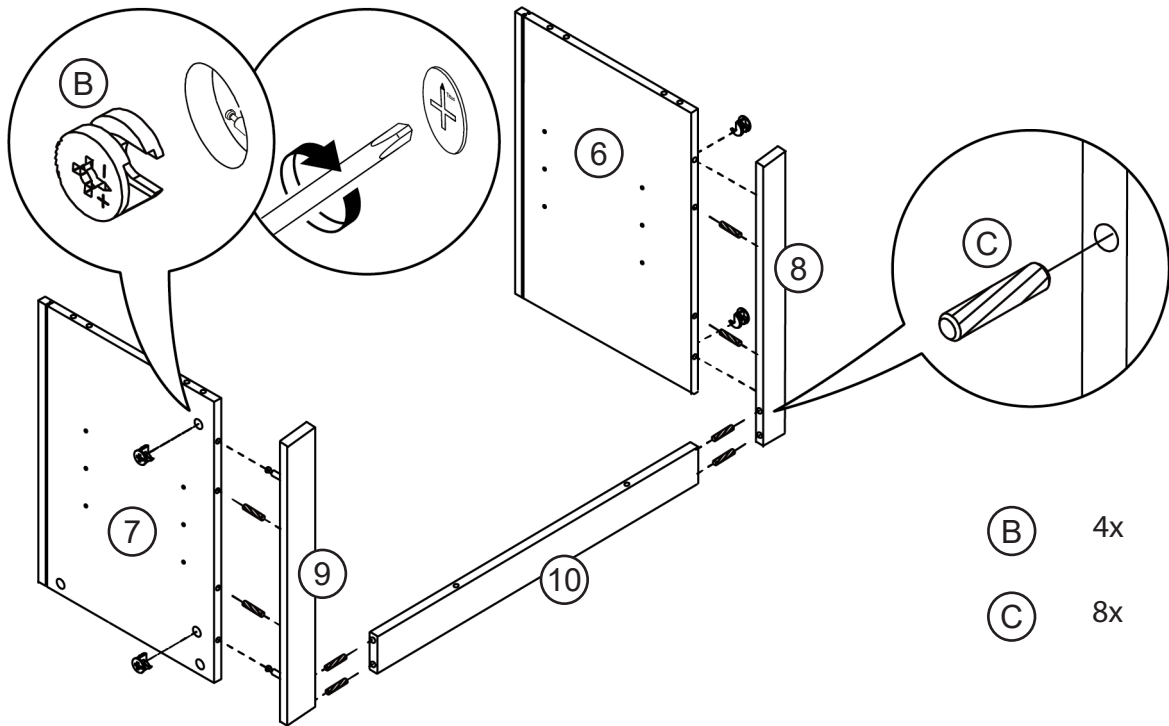
Install all hardware perpendicular to the opening.



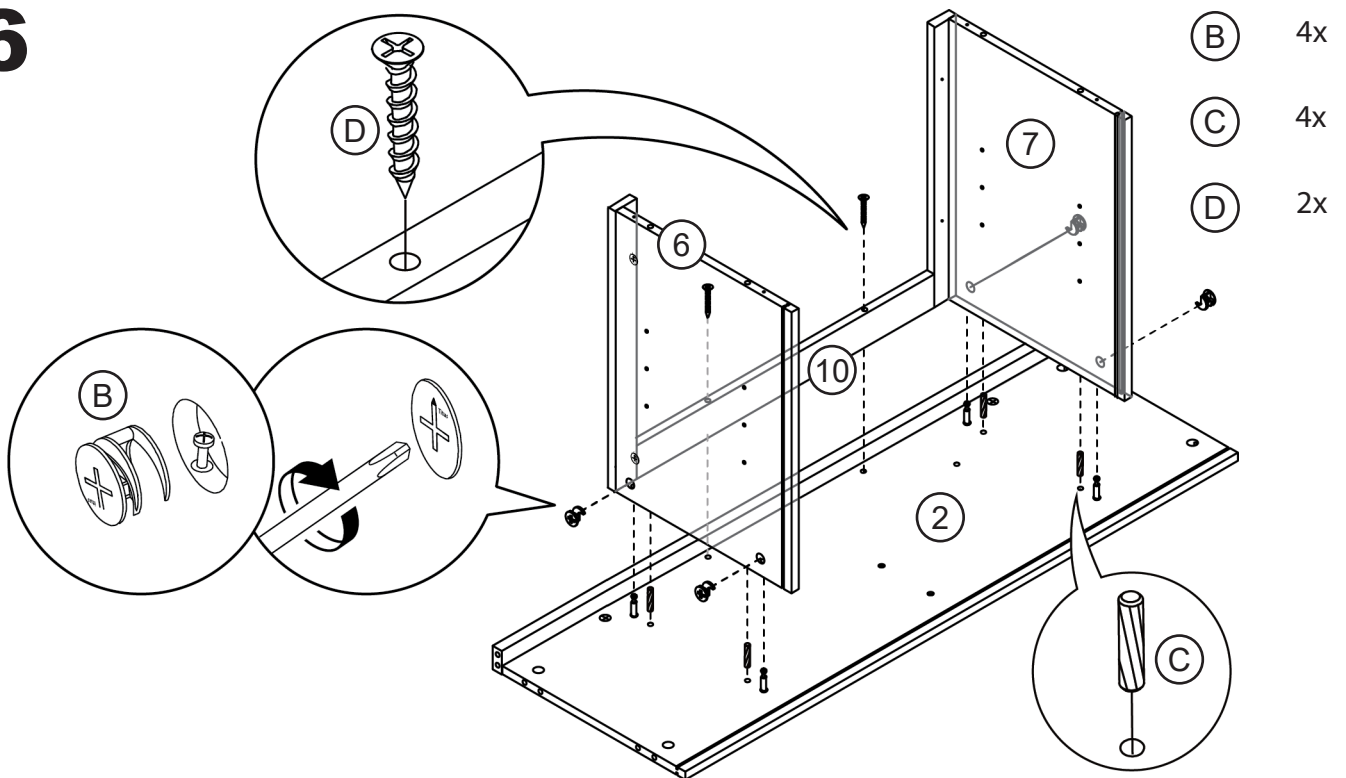
4



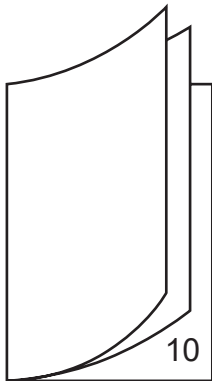
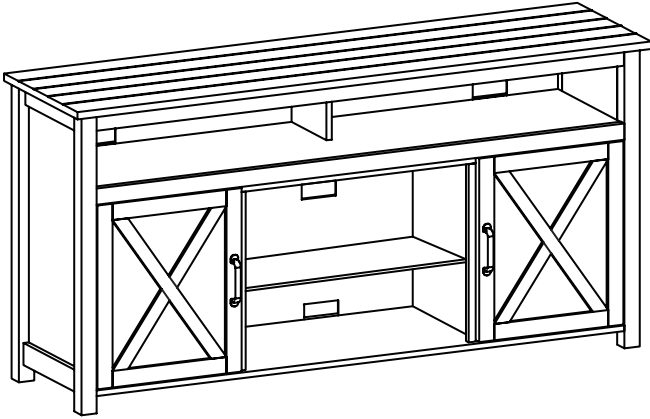
5



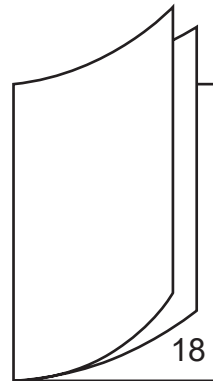
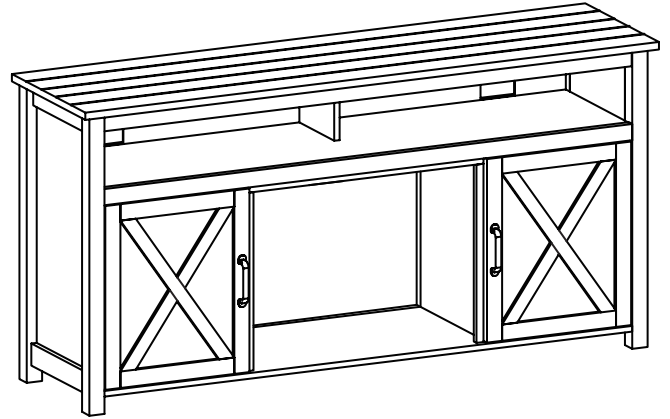
6



TV stand



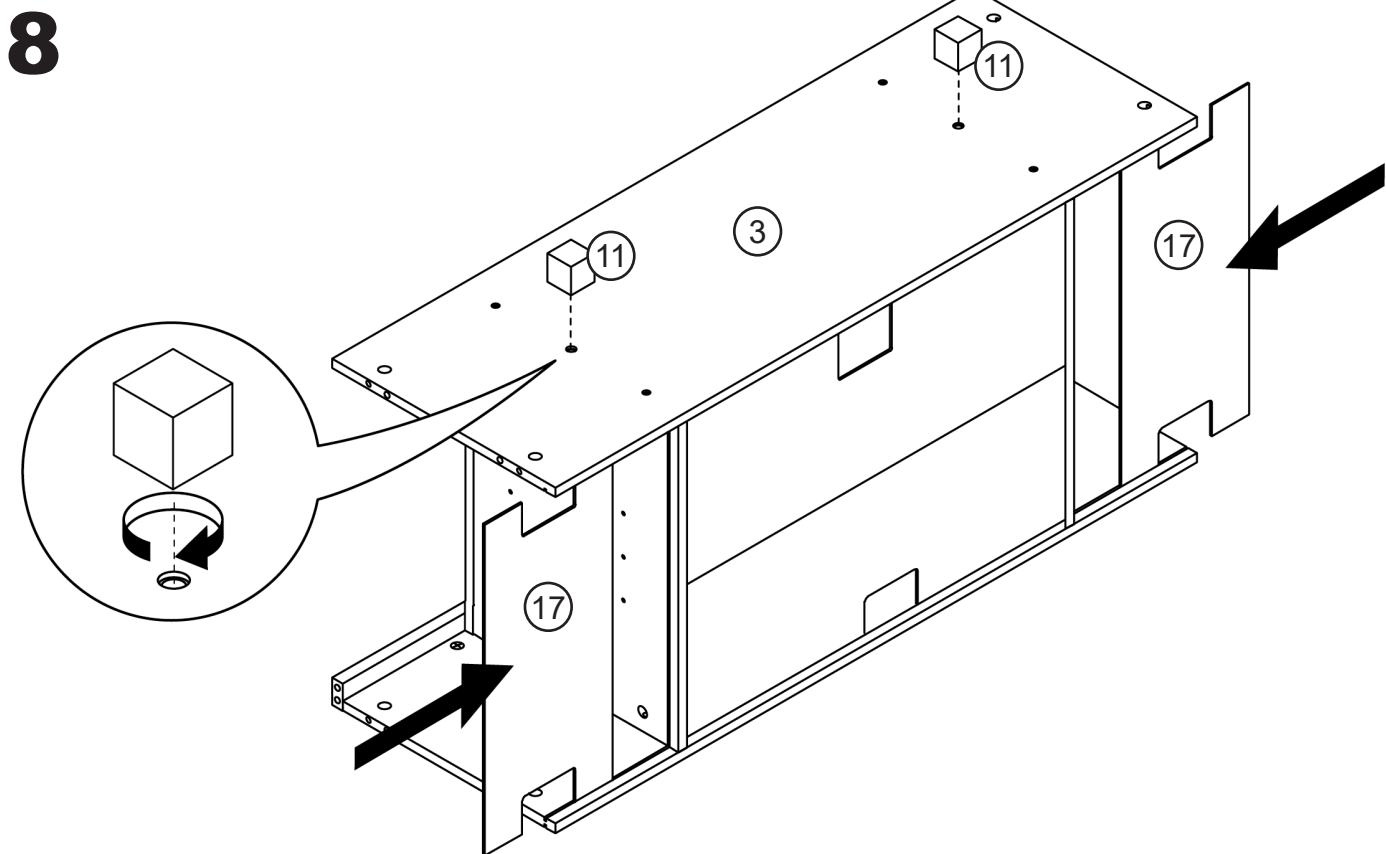
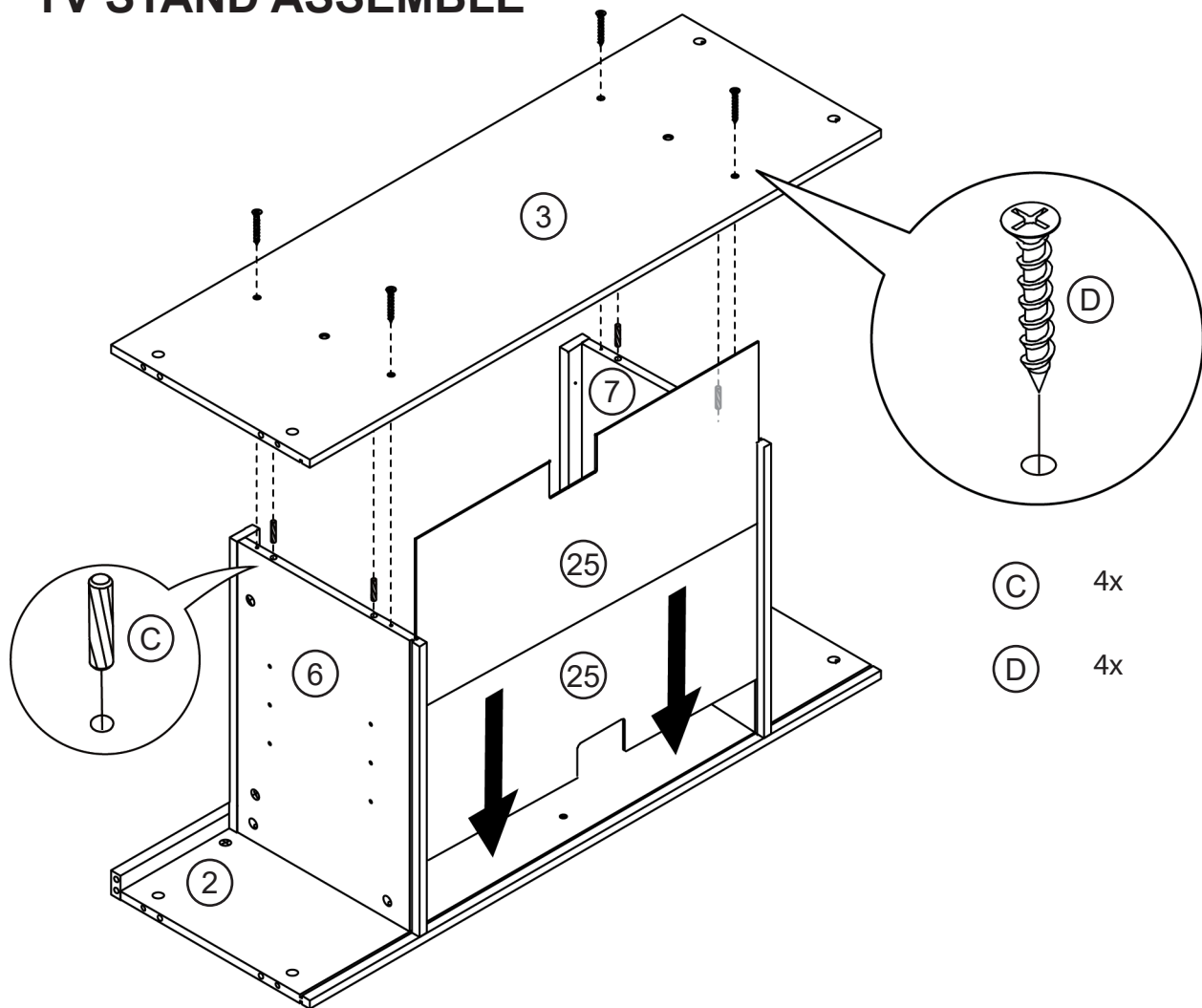
Fireplace Mantel



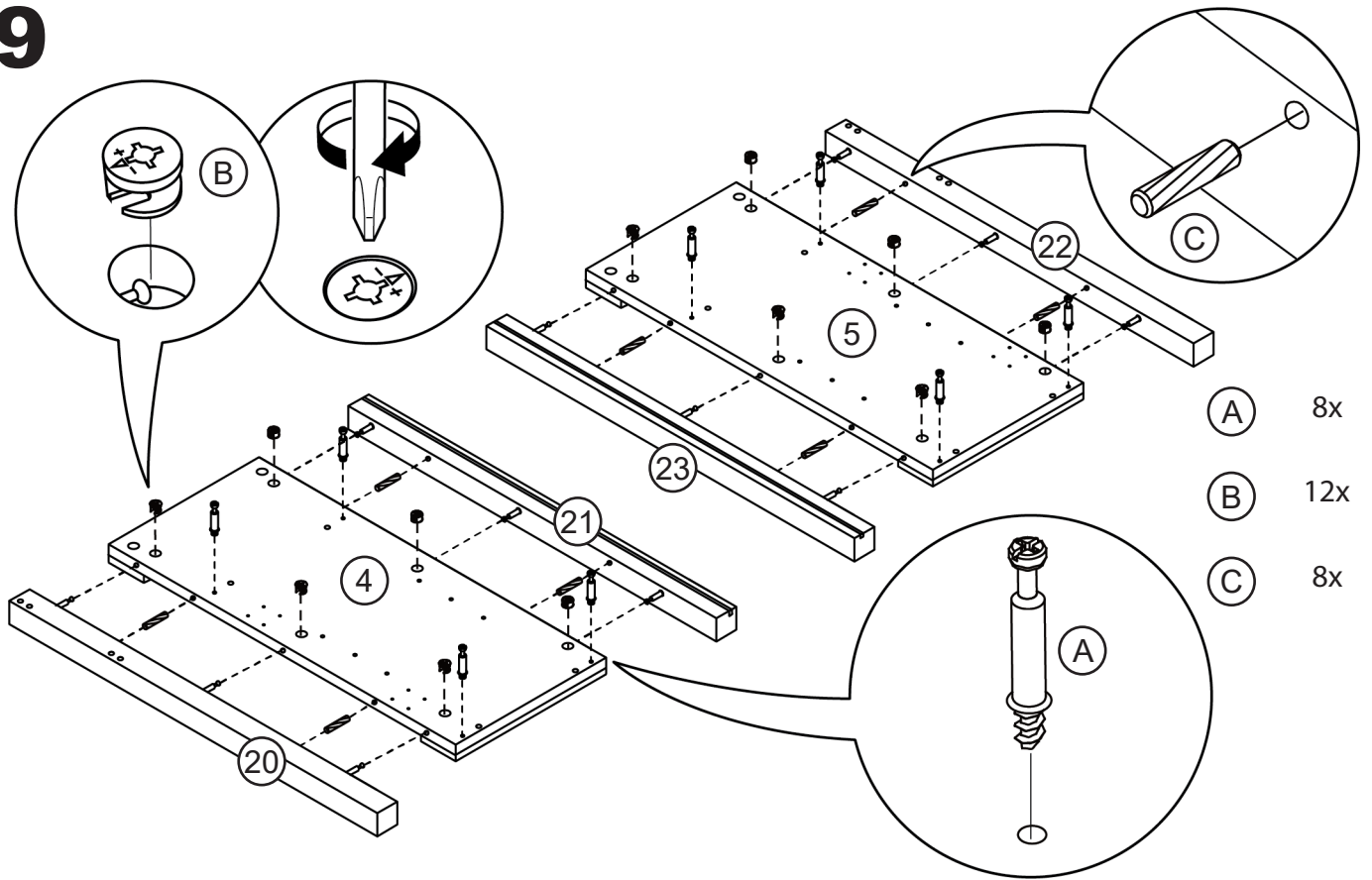
If you intended to use this product as a TV stand, continue the assemble instruction on Page 10.

If you intended to use this product as a fireplace mantel, continue the assemble instruction on Page 18.

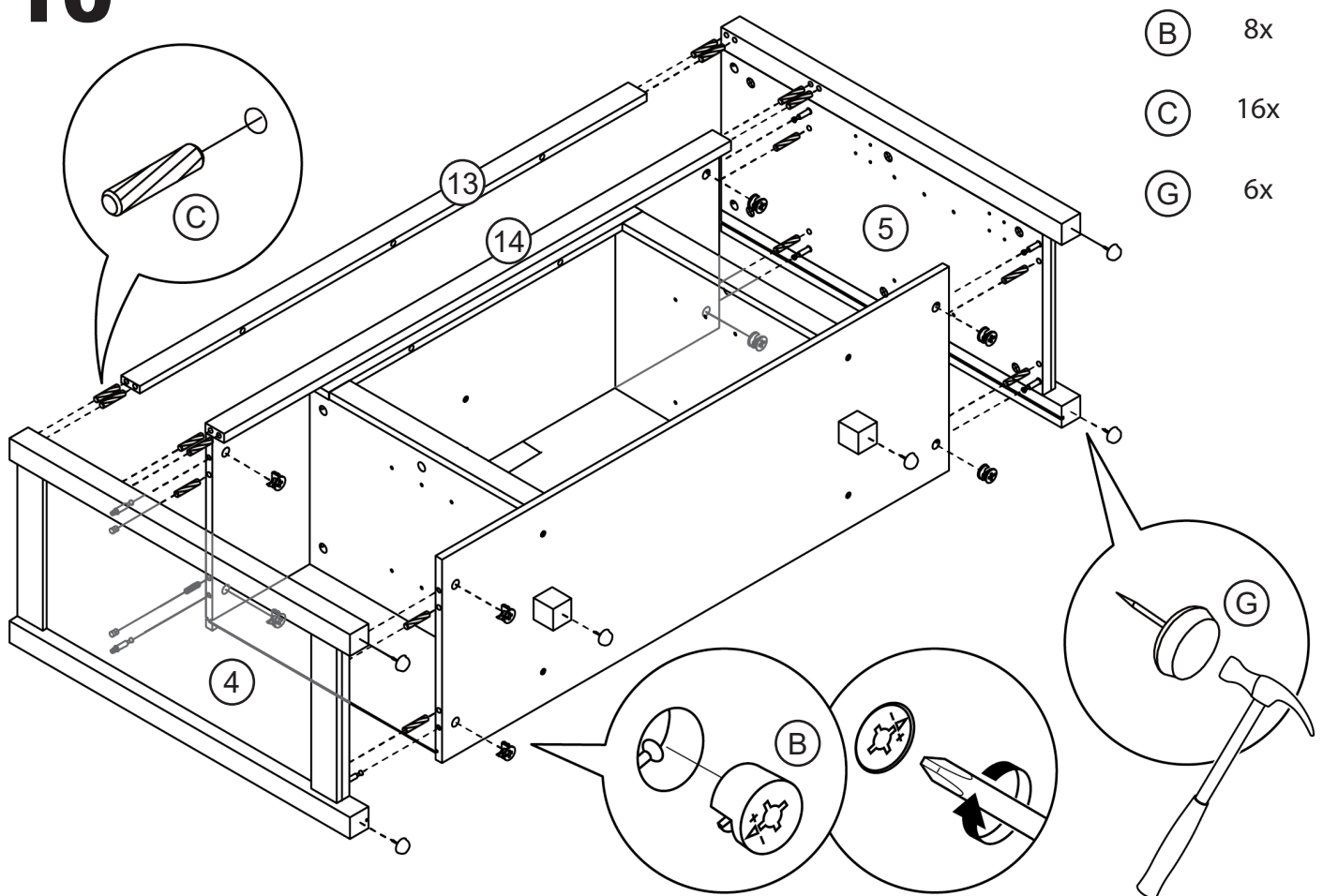
7 TV STAND ASSEMBLE



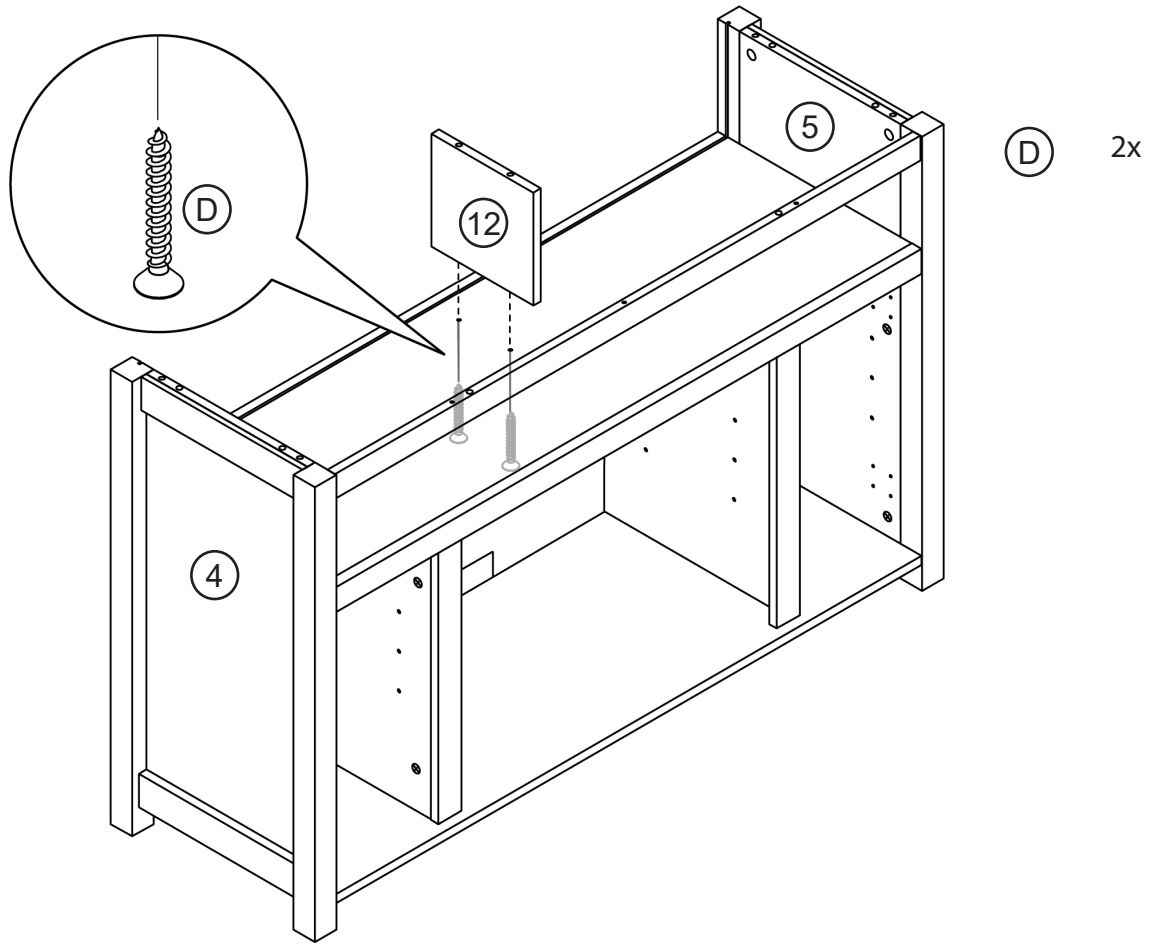
9



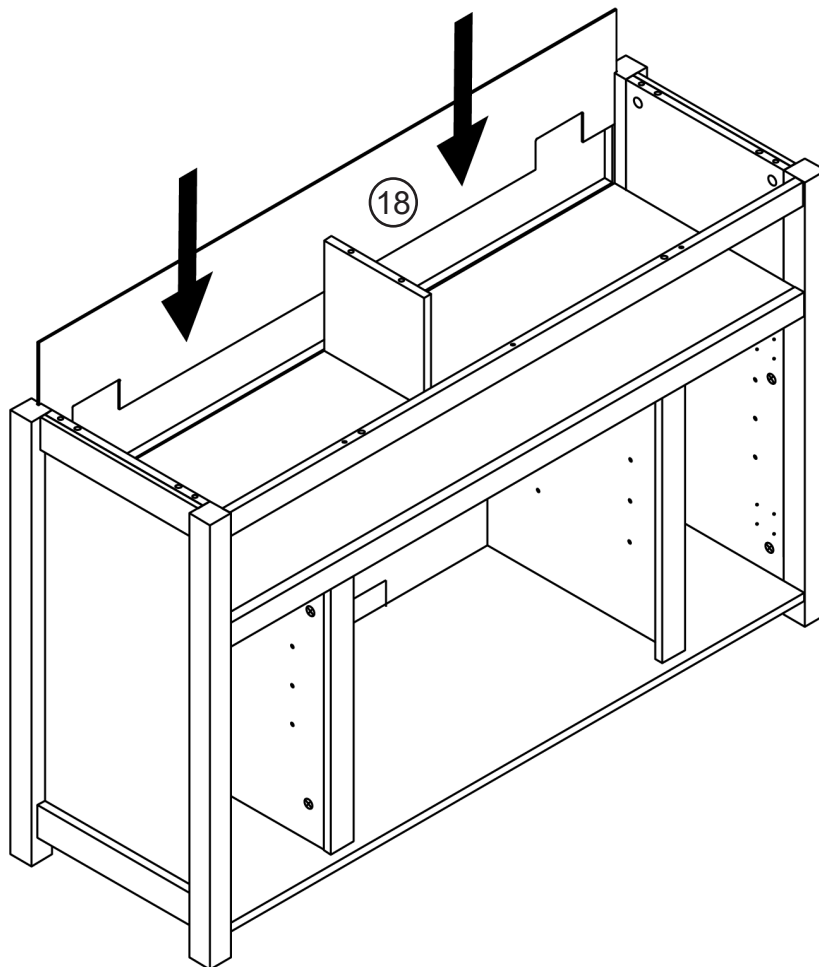
10



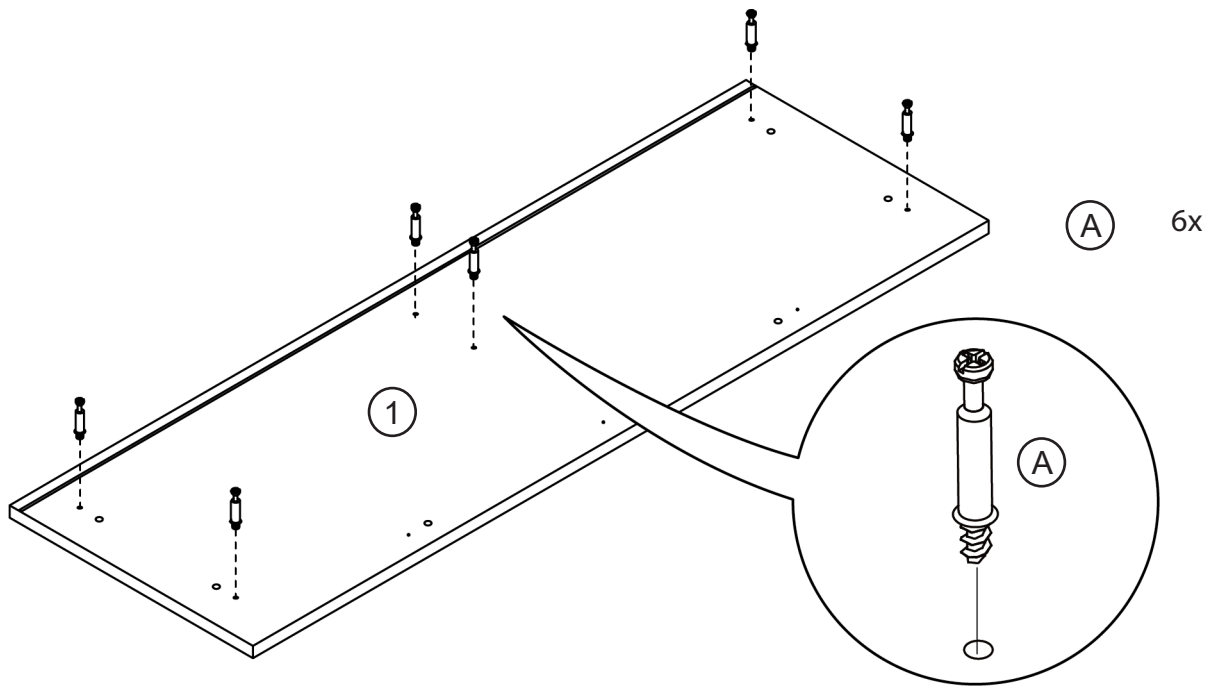
11



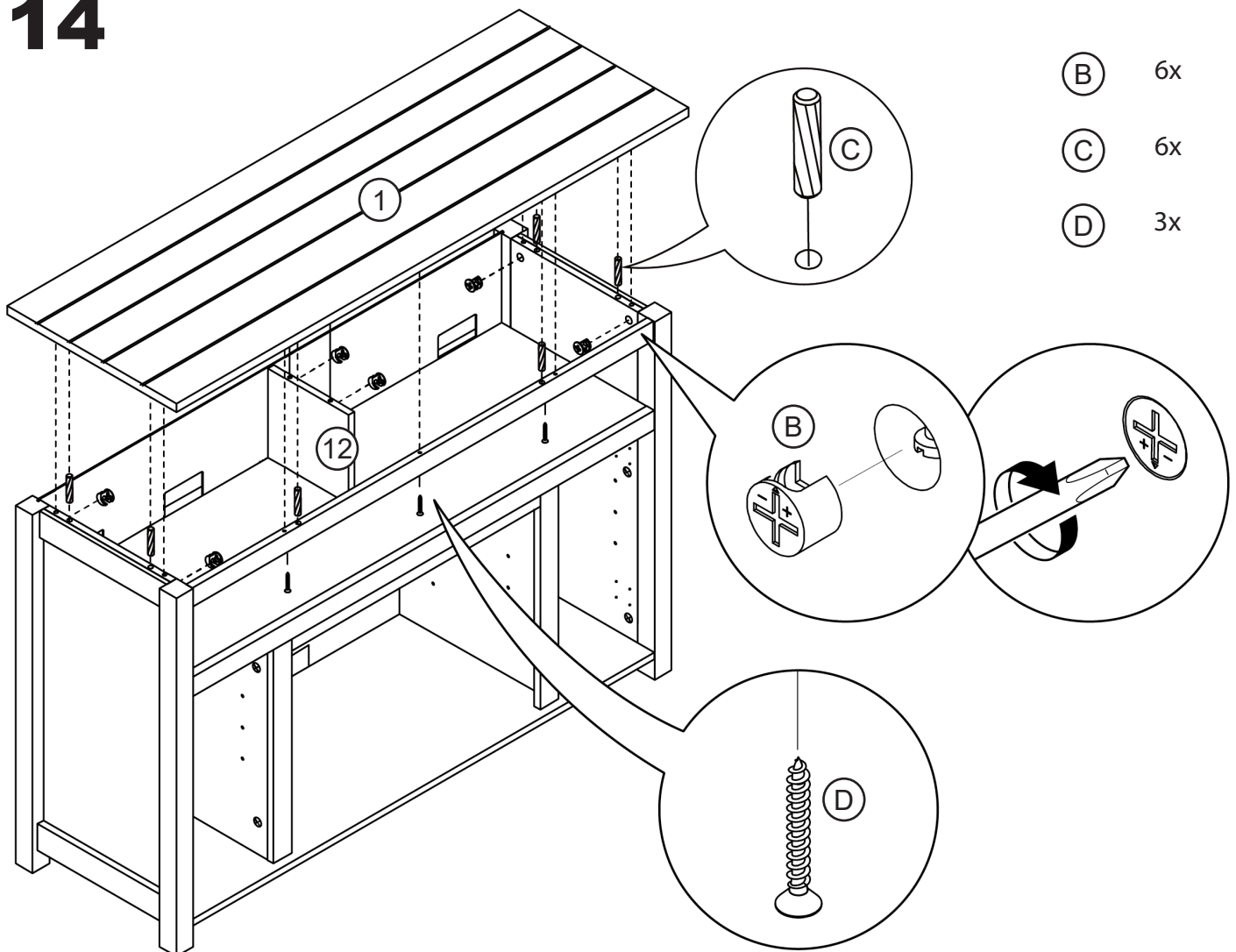
12



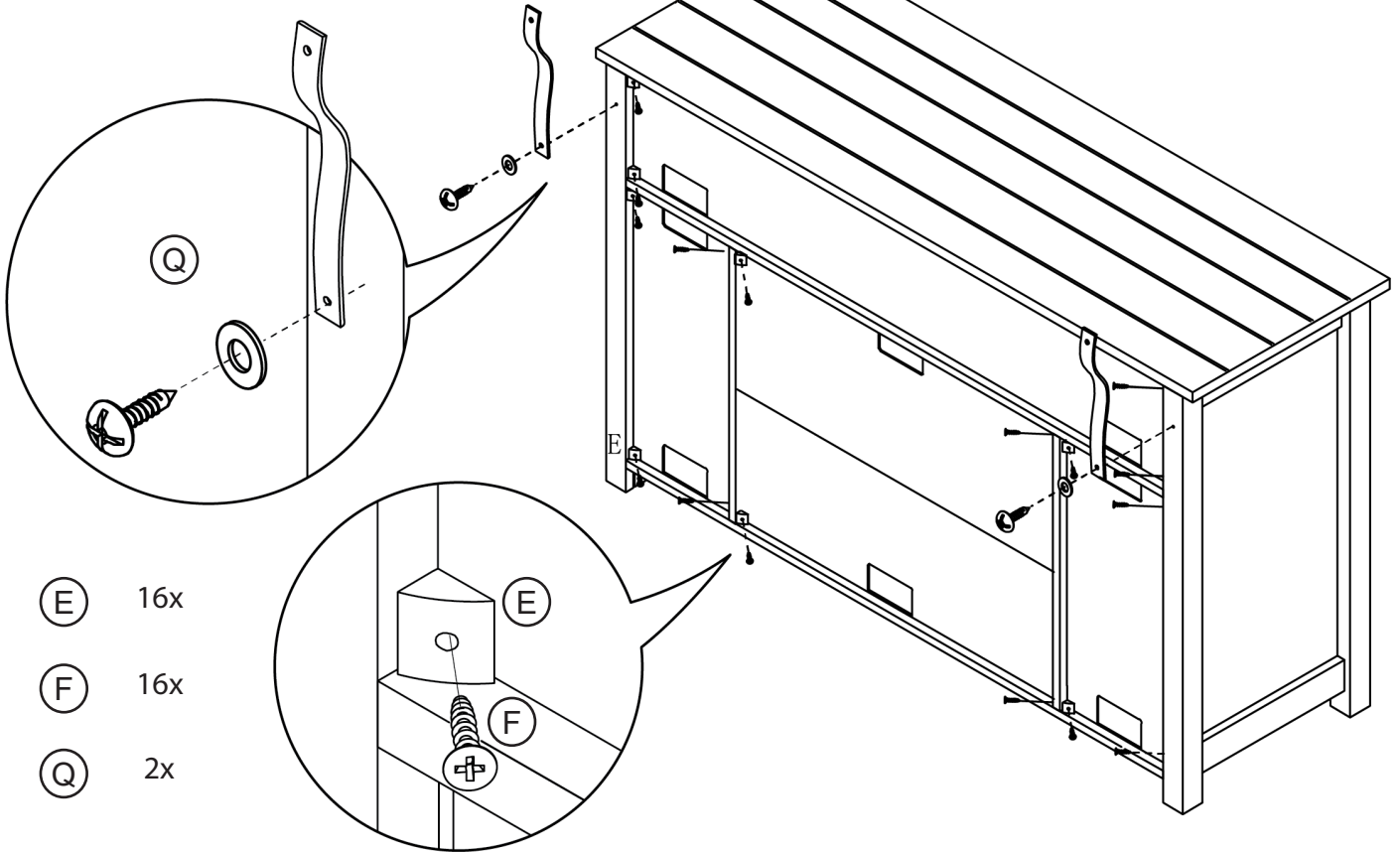
13



14

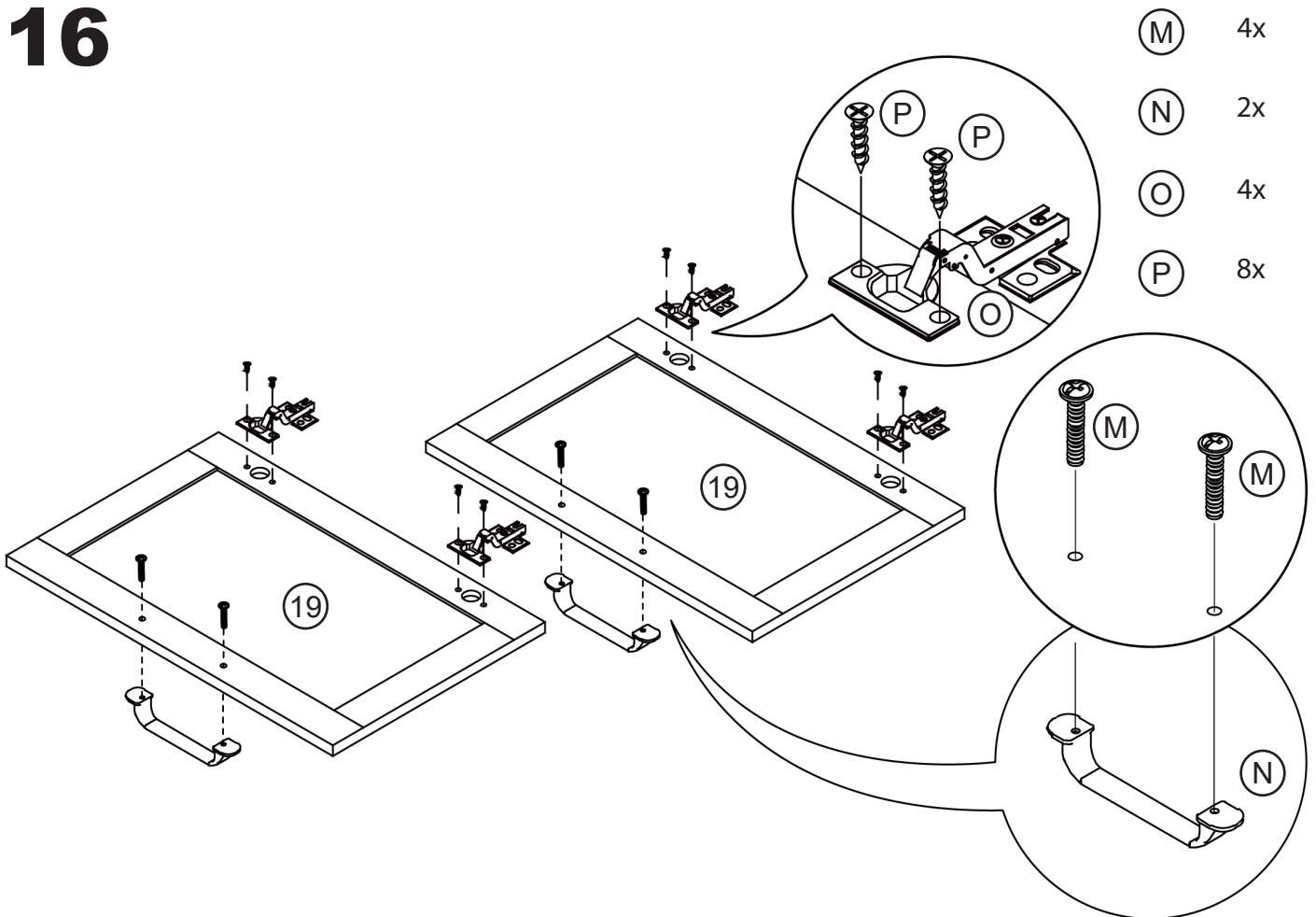


15



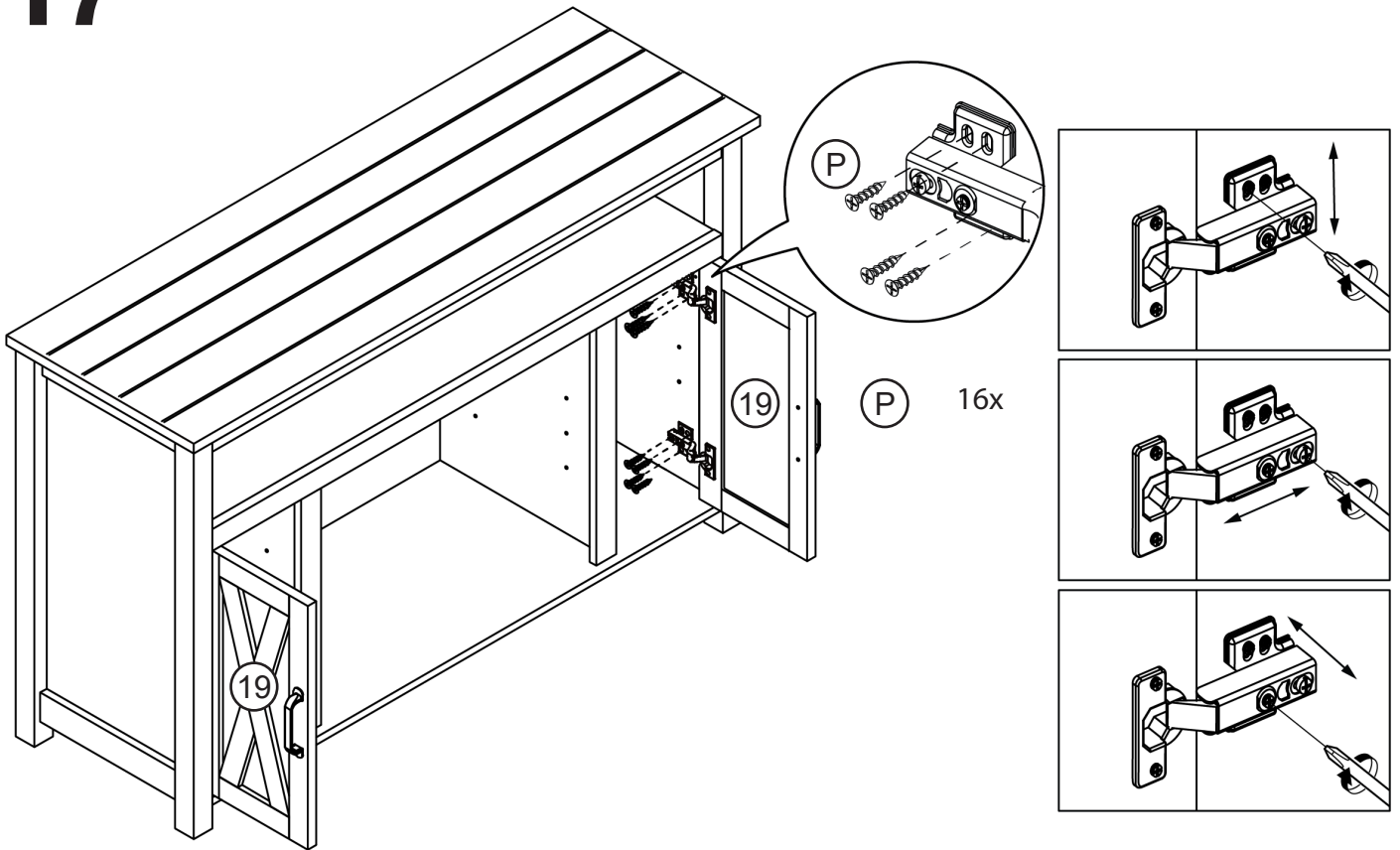
- (E) 16x
- (F) 16x
- (Q) 2x

16

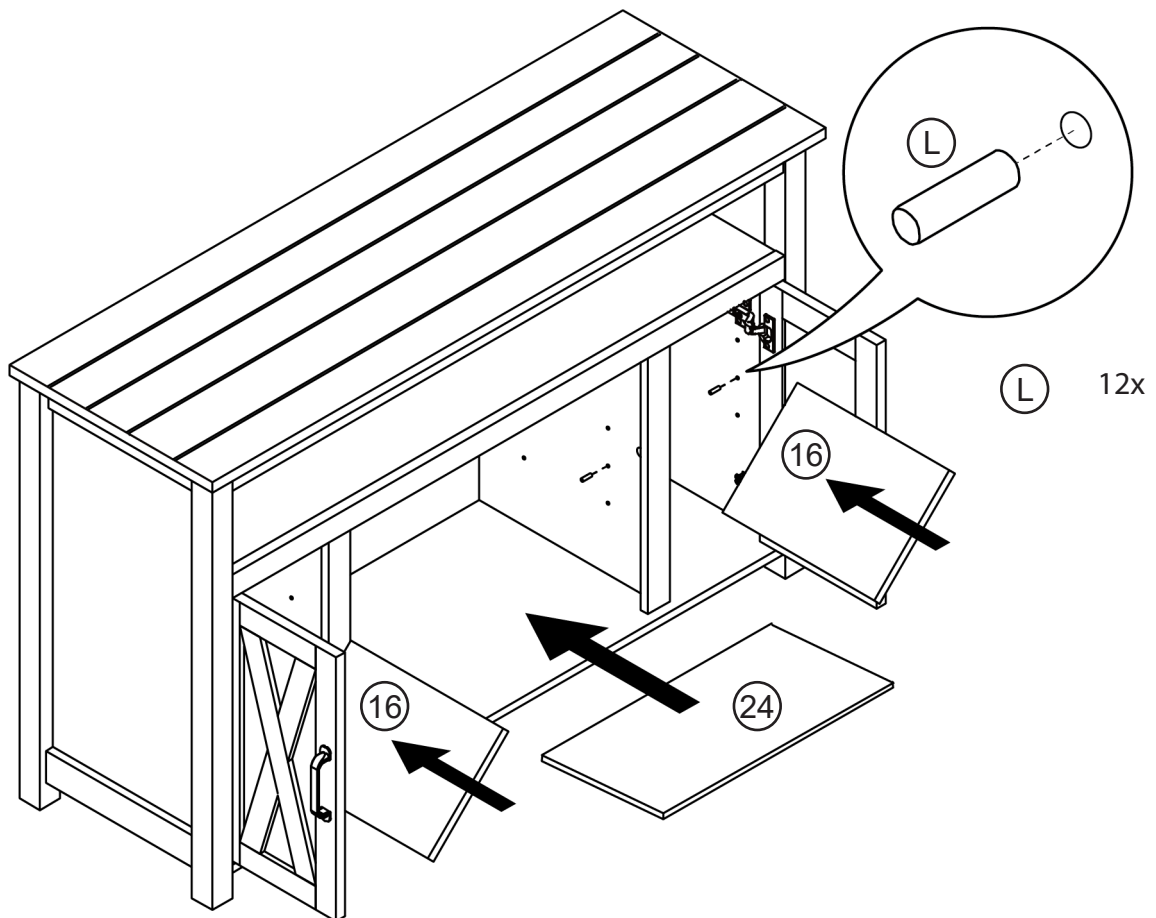


- (M) 4x
- (N) 2x
- (O) 4x
- (P) 8x

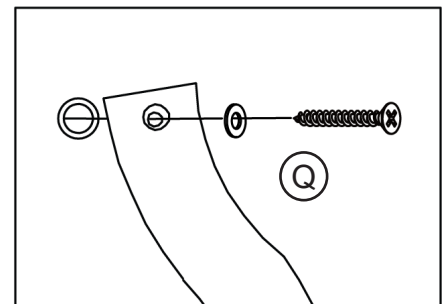
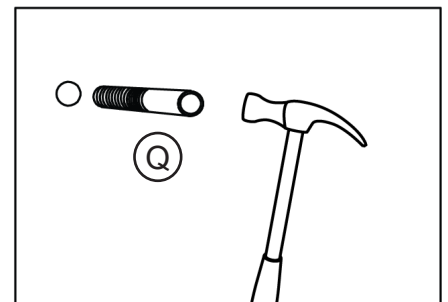
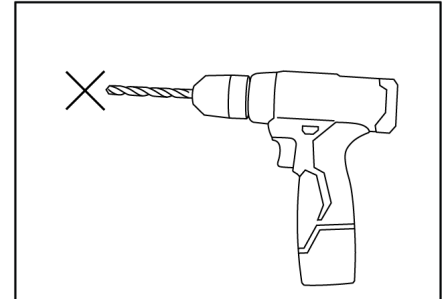
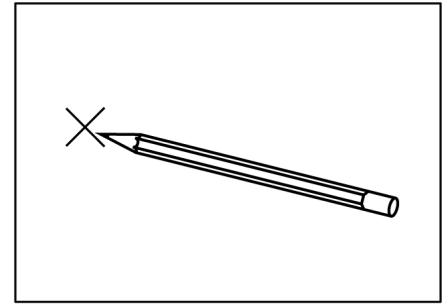
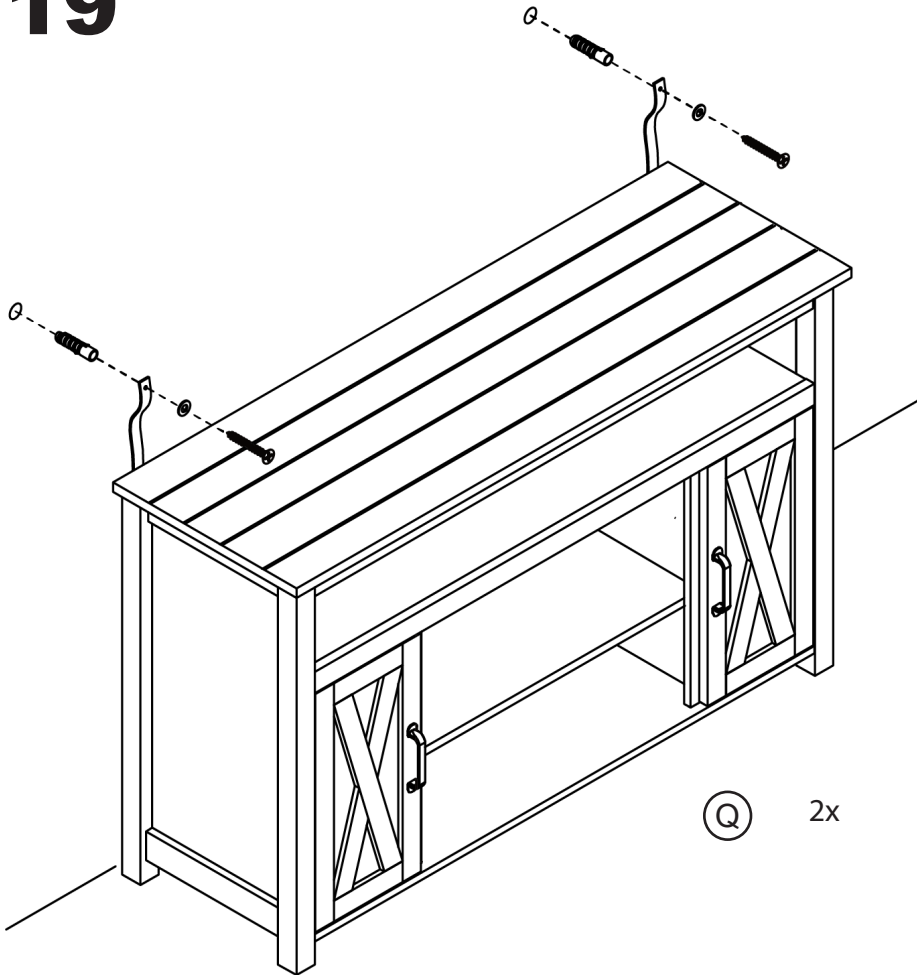
17



18



19

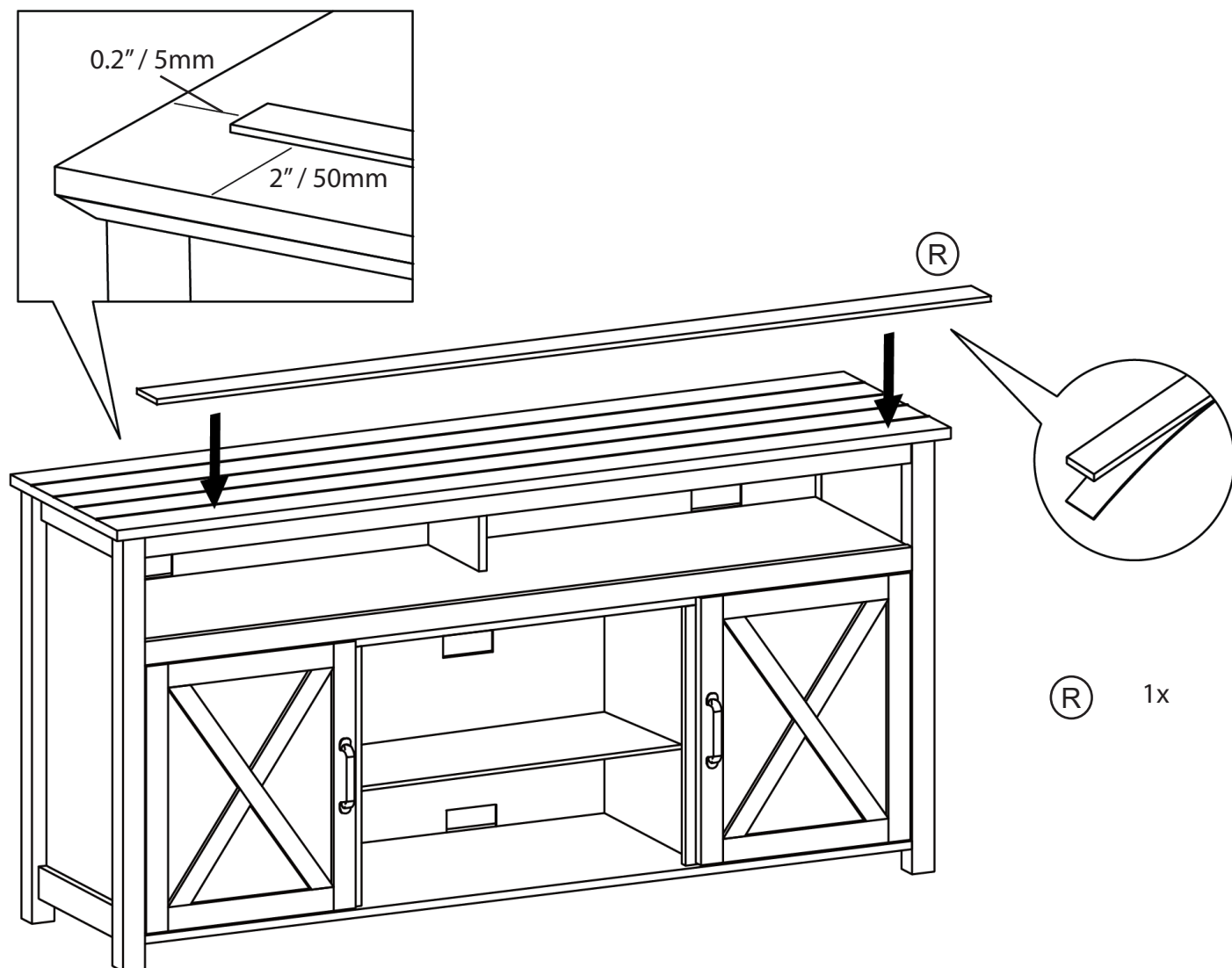


Furniture must permanently fixed to the wall stud with included anti-tipping device to prevent the furniture from tipping over.

- Mark the drill position on the wall with a pencil.
- Drill a small hole on the marked position.
- Insert a wall anchor into the drilled hole.
- Fixed the anti tipping strap to the wall with provided screws.

20

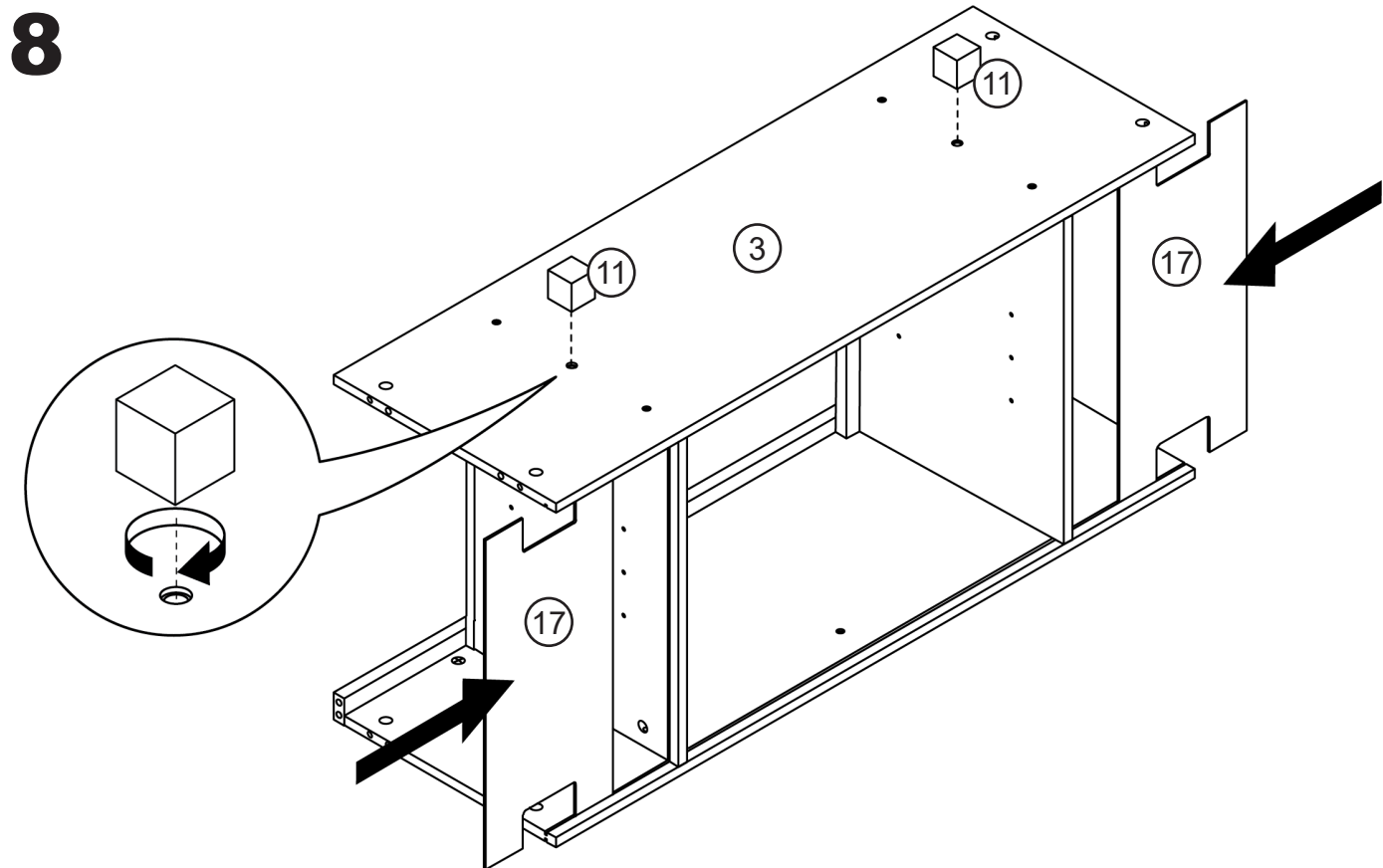
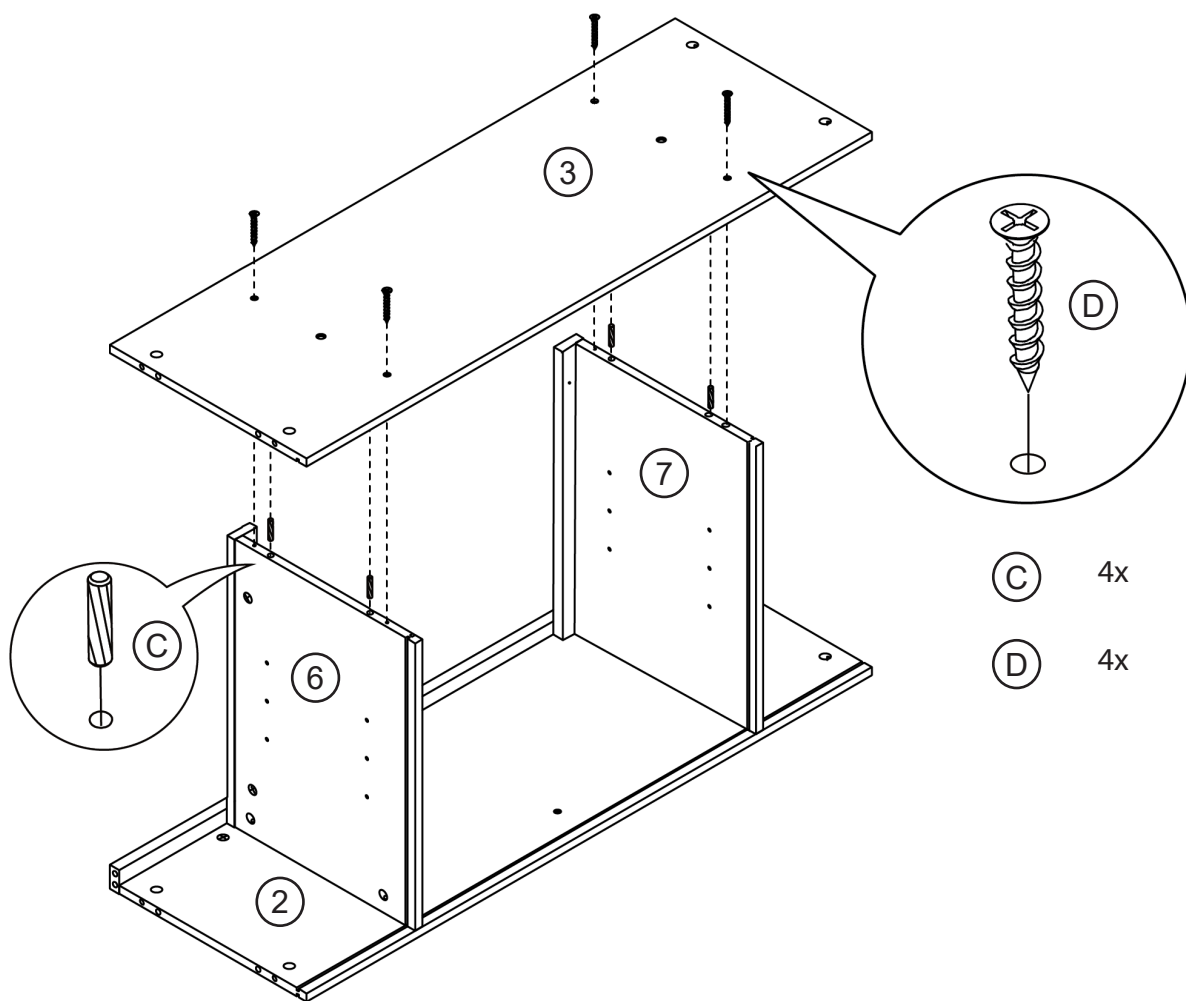
OPTIONAL ASSEMBLY



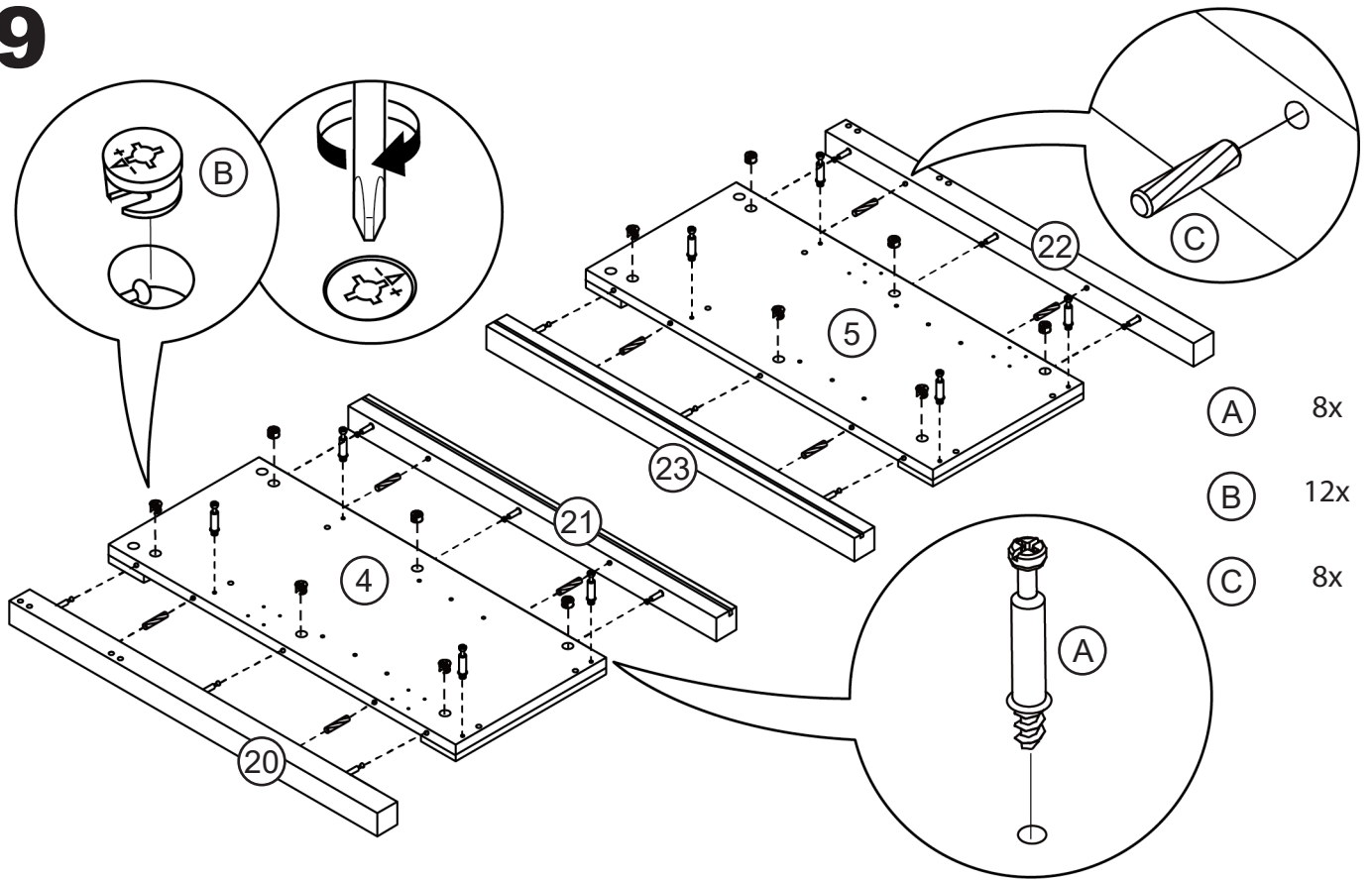
NOTE: put the TV behind to the wood trim to prevent fall off.

FINISH!

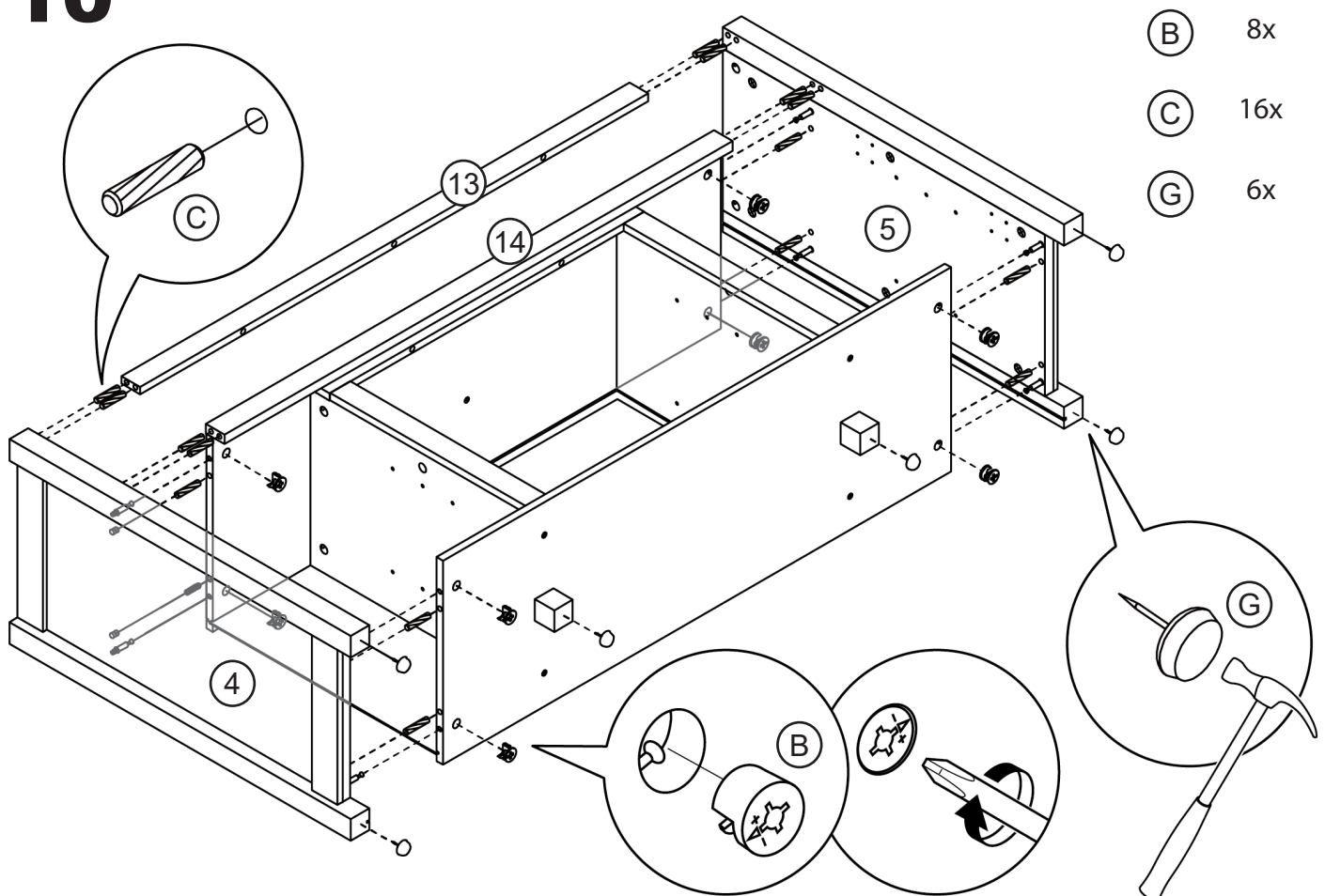
7 FIREPLACE MANTEL ASSEMBLE



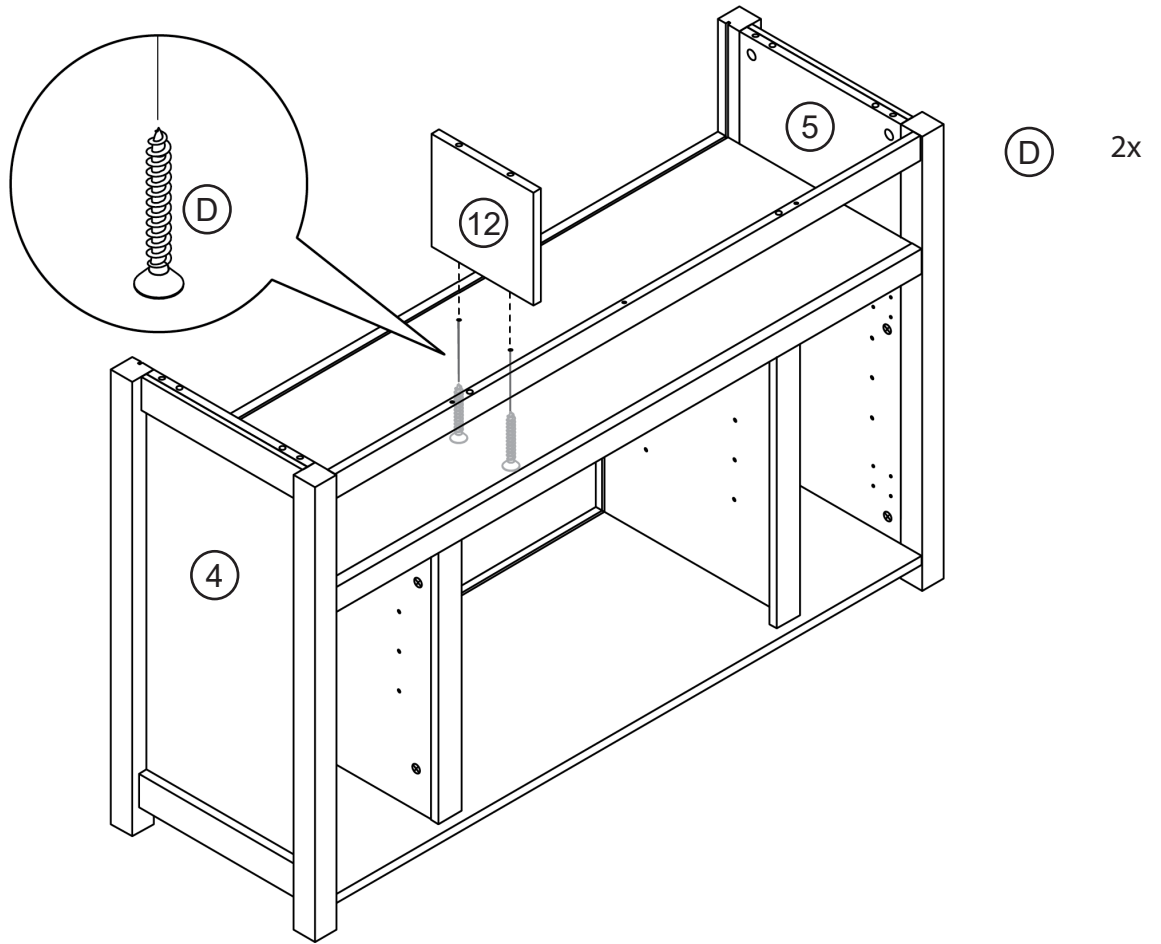
9



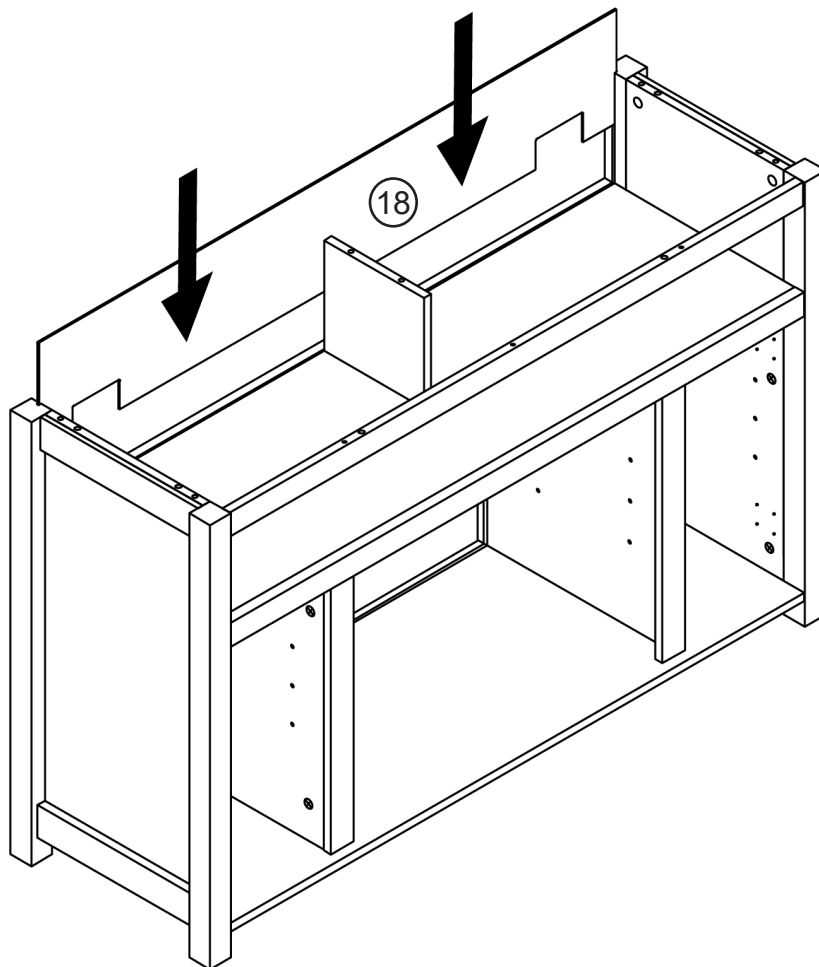
10



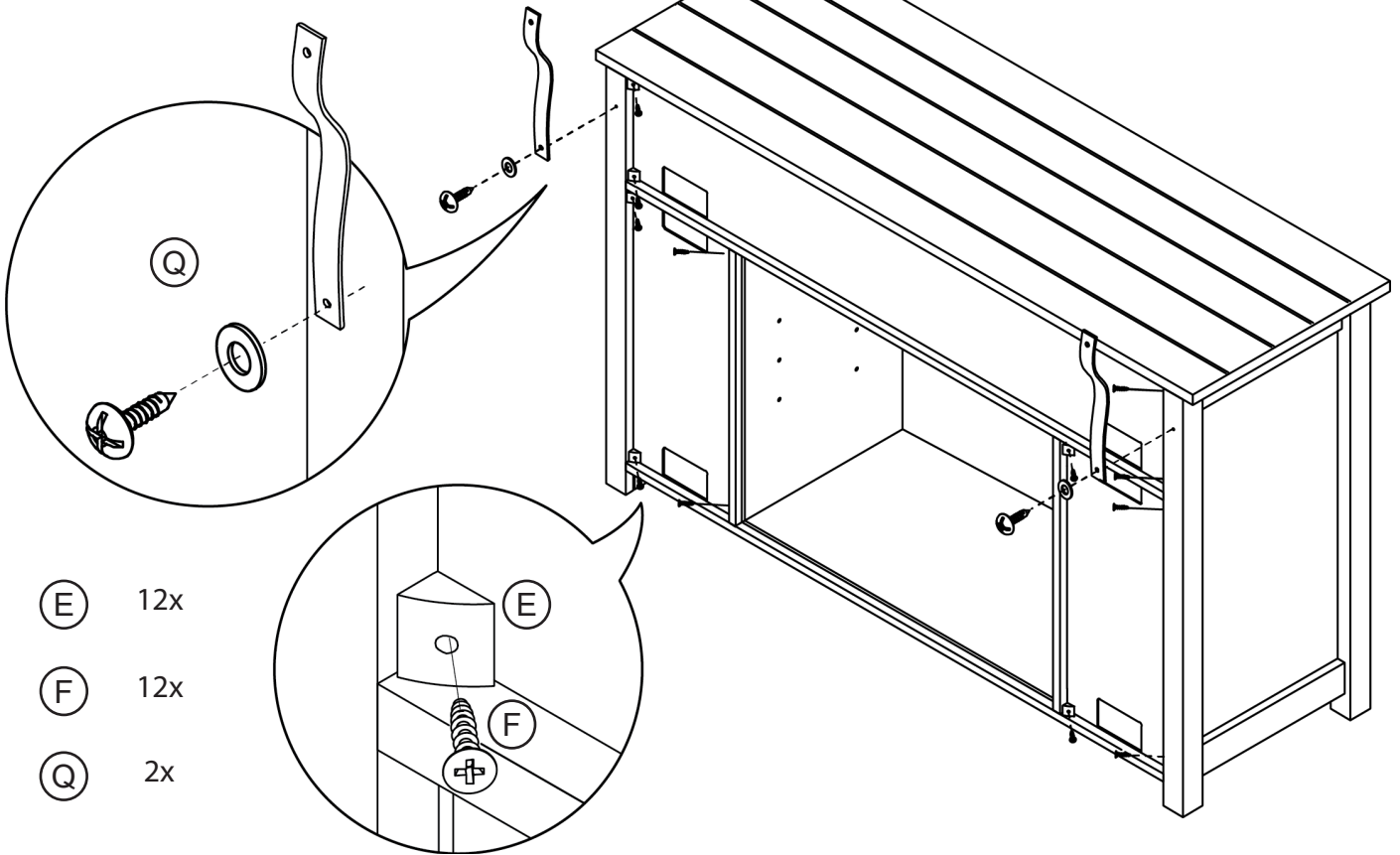
11



12

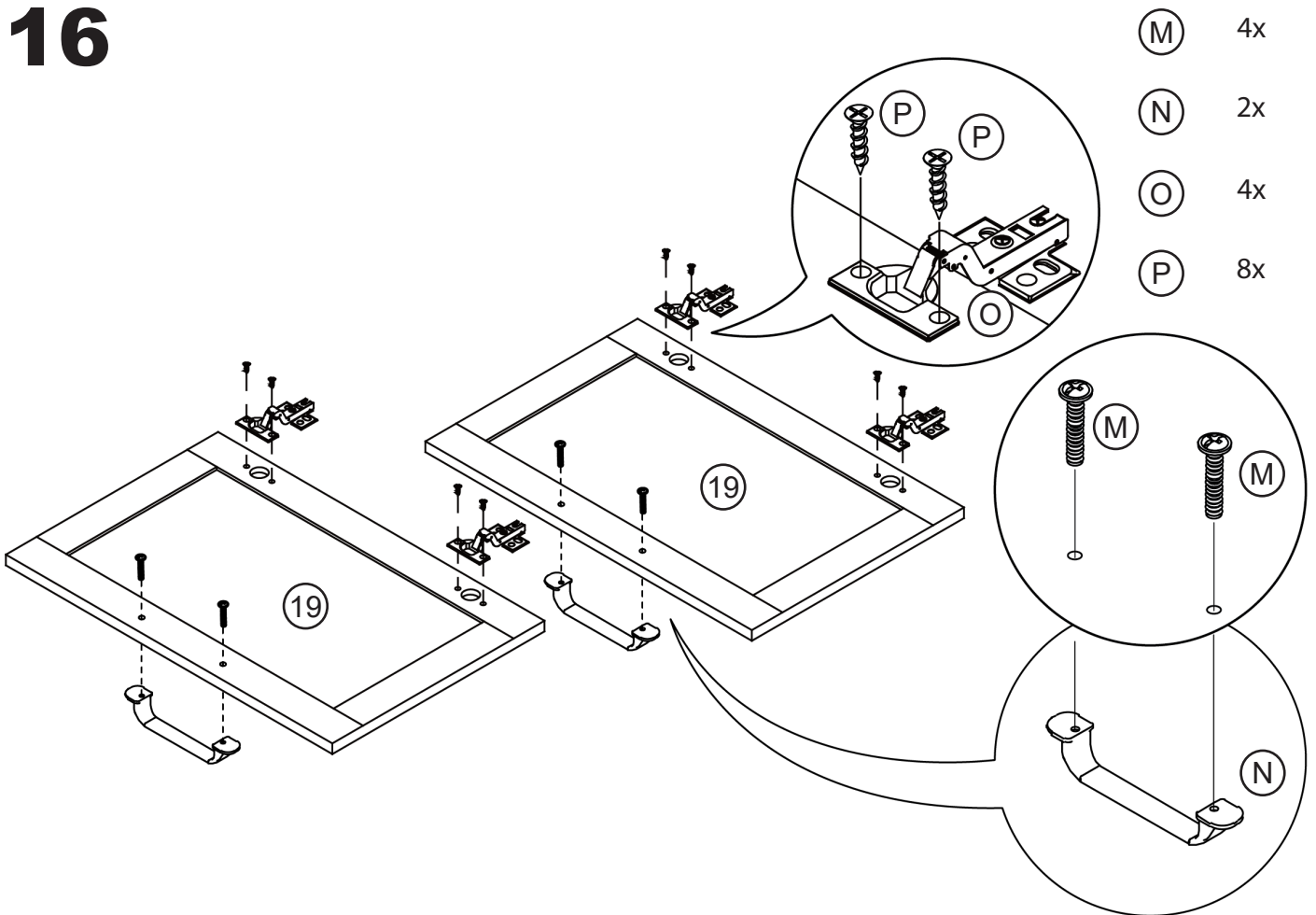


15



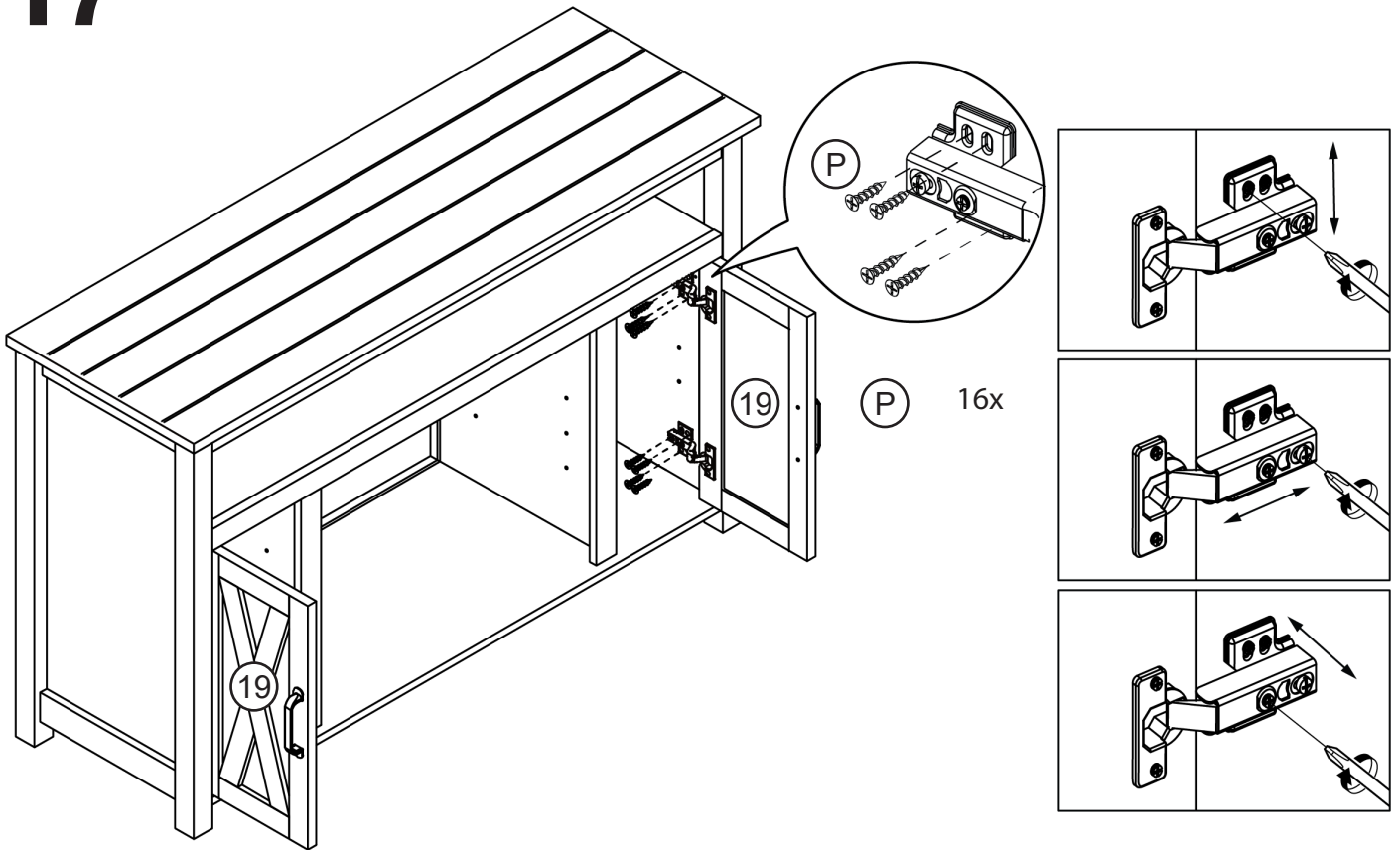
- (E) 12x
- (F) 12x
- (Q) 2x

16

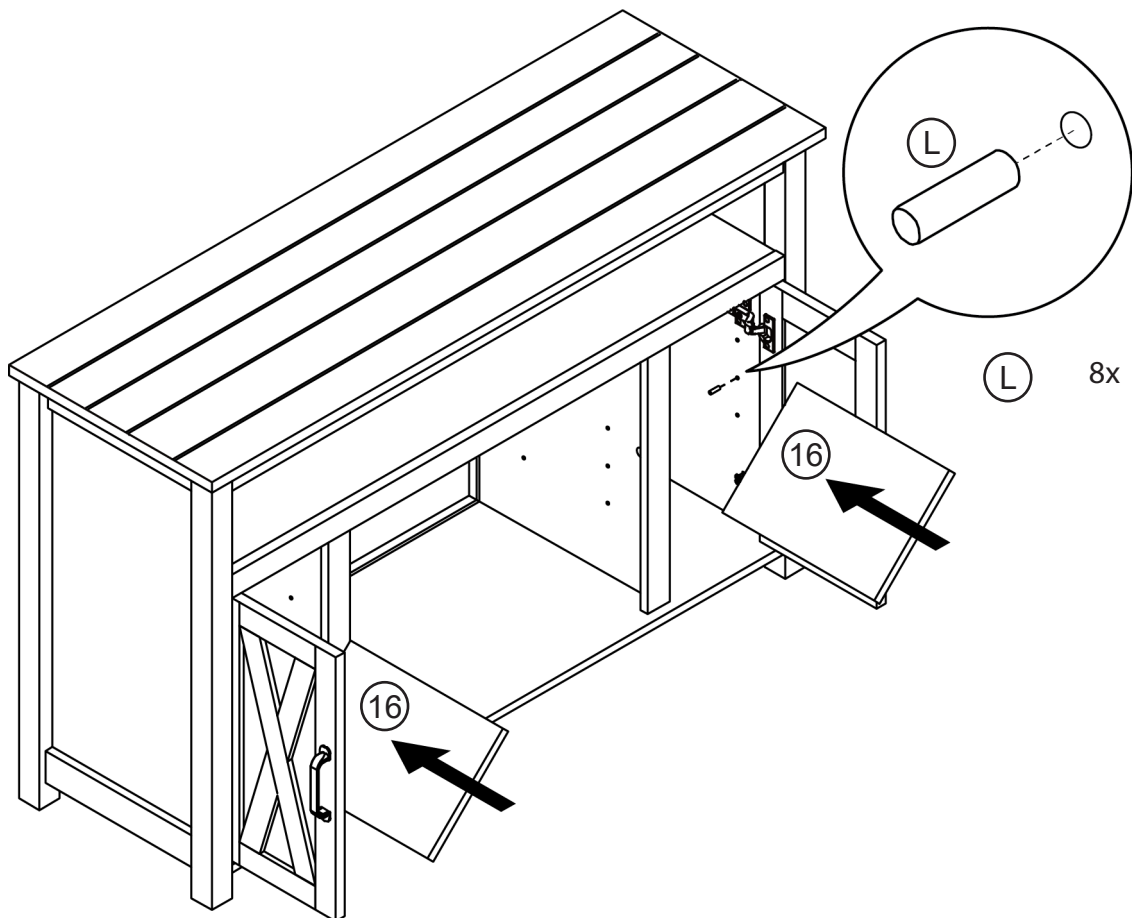


- (M) 4x
- (N) 2x
- (O) 4x
- (P) 8x

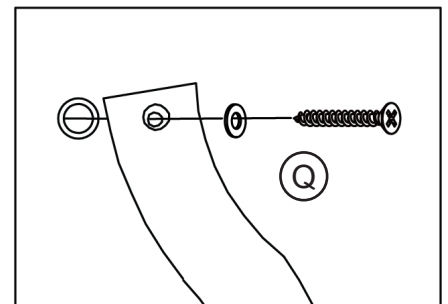
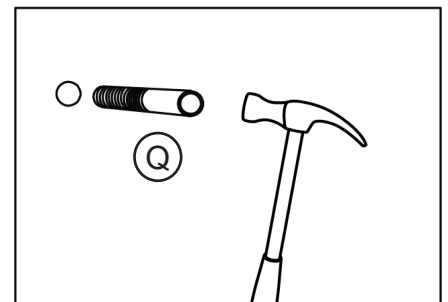
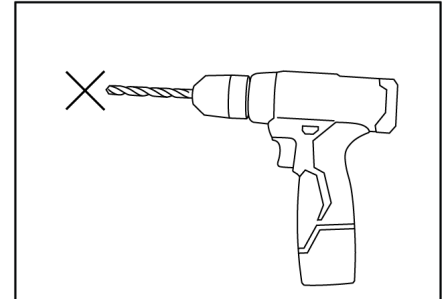
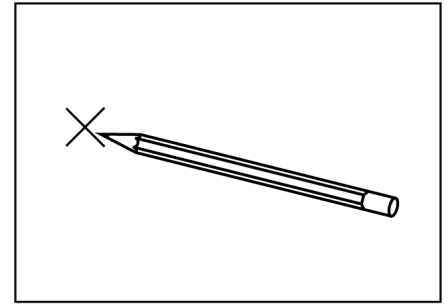
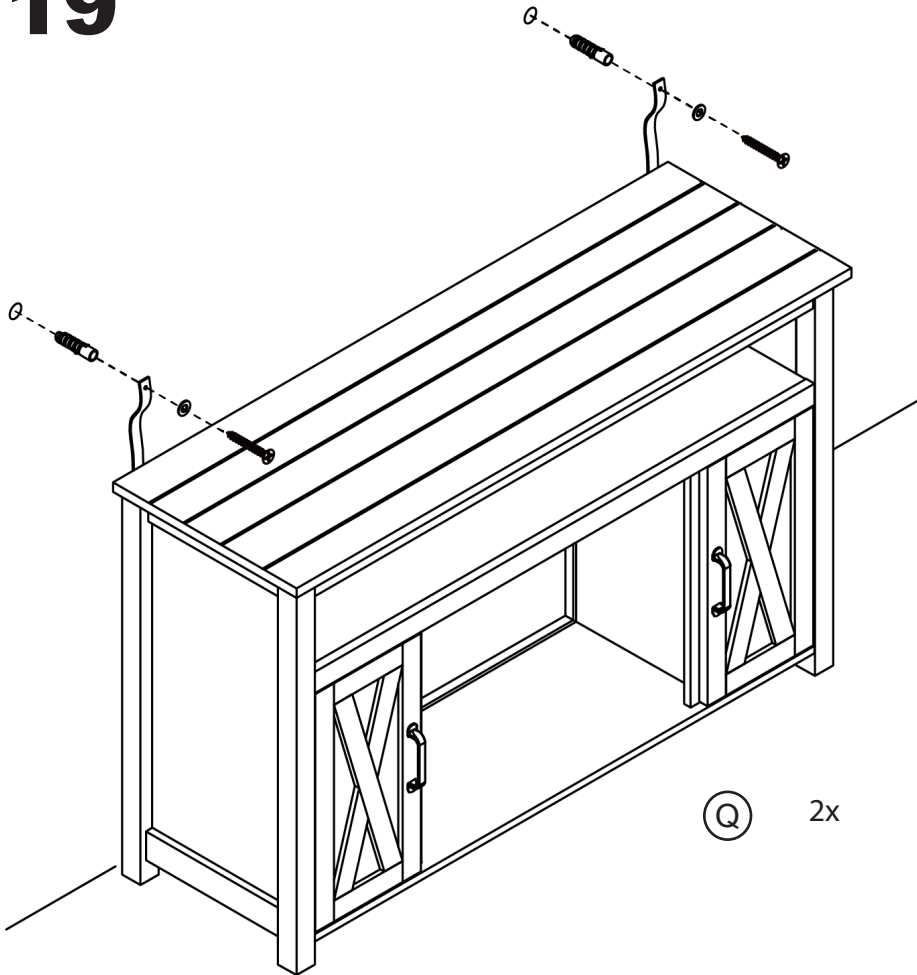
17



18



19

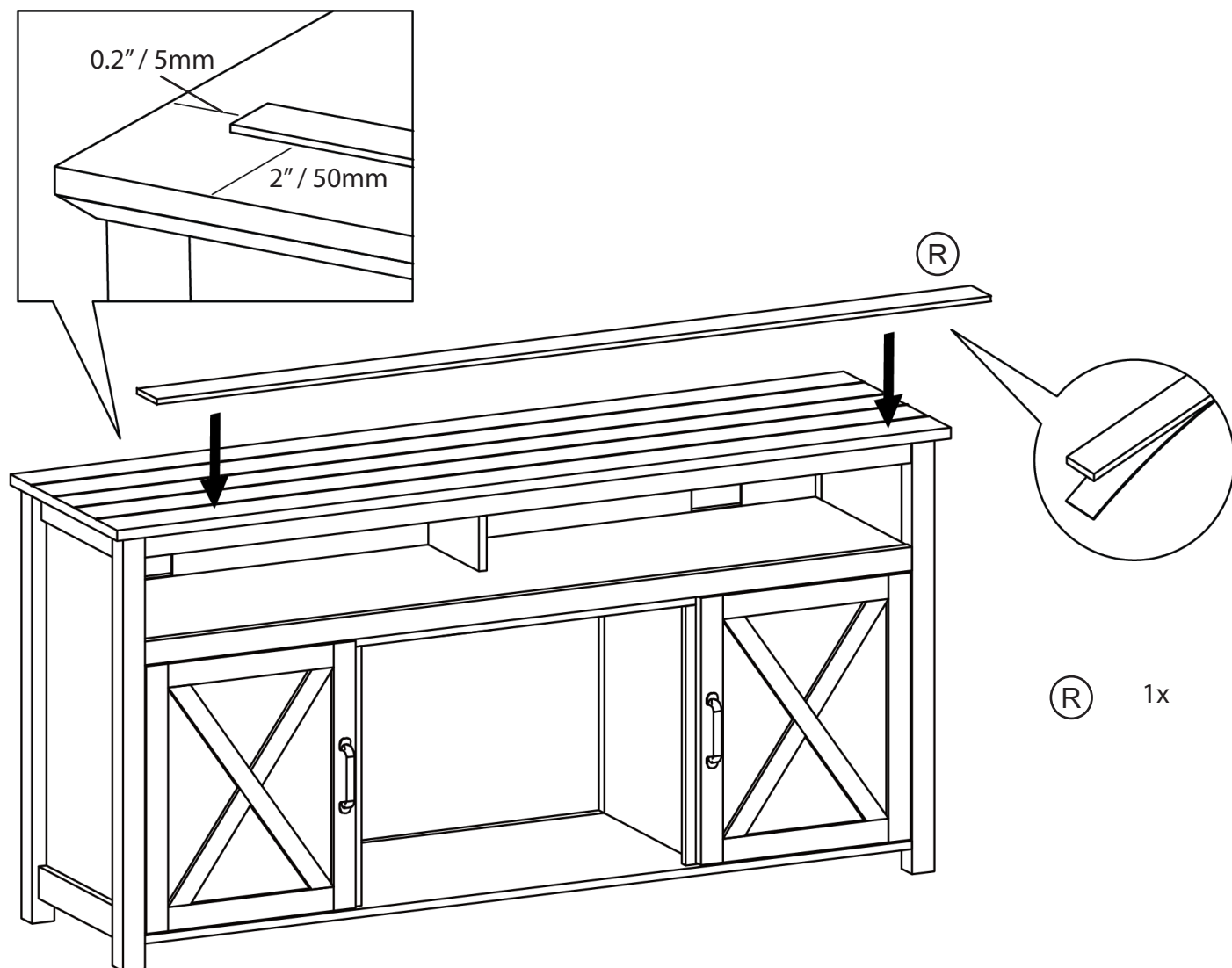


Furniture must permanently fixed to the wall stud with included anti-tipping device to prevent the furniture from tipping over.

- Mark the drill position on the wall with a pencil.
- Drill a small hole on the marked position.
- Insert a wall anchor into the drilled hole.
- Fixed the anti tipping strap to the wall with provided screws.

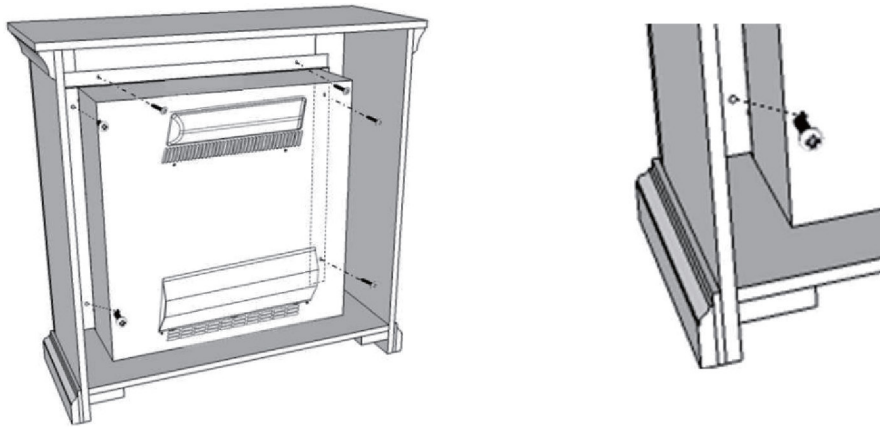
20

OPTIONAL ASSEMBLY



NOTE: put the TV behind to the wood trim to prevent fall off.

FINISH!



FIREPLACE INSTALLATION

If you decide to install the fireplace into the mantel, carefully set the unit from the back of the mantel and center it in the opening.

Check the alignment and attach the unit to the mantel by inserting screws through the drilled holes on the trim to the mantel.

NOTE: Do not attempt to install the unit from the front of the mantel. It will not fit.

FURNITURE CARE AND MAINTENANCE

Medium - Density Fiberboard

Thank you for your purchase. We want your item to last as long as possible. To ensure the product gives you years of service, please refer to this care and maintenance guide.



MAINTENANCE

- Tighten all bolts and screws again within the first 2 weeks of assembly.
- Check the tightness of all bolts every 2 months, tighten them if necessary.



CLEANING

- Clean the surface of the MDF (medium - density fiberboard) with a lightly dampened cloth.
- Small amount of mild soap can be used if necessary.
- Dry the surface immediately after cleaning.

⚠ DO NOT use bleach or alcohol detergent to clean the surface.

⚠ DO NOT apply wood treatment on parts made with MDF.

Medium - density fiberboard will swell and distort when suffer from water damage. Make sure to dry the furniture immediately after cleaning.

⚠ WARNING

Manufacturer and seller expressly disclaim any and all liability for personal injury, property damage or losses, whether direct, indirect, or incidental, resulting from the incorrect attachment, improper use, inadequate maintenance, unapproved modification or neglect of this product.

Warranty

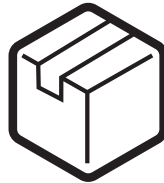
Our products come with a 1 year warranty from the date of purchase. In any event that the product arrives damaged or missing parts, we are more than happy to provide you with replacement part(s).
Register your product on our website to enjoy extended warranty!!

Easy Return

We work hard to make sure order arrives safe and secure, but rest assured we will take care of it if it is not up to standard. If you need replacement parts, Contact us, we will send you replacements with no hassle.



Contact Us



Replacement



You

You don't have to worry about re-packaging / schedule pick-up.

We hope you enjoy your new furniture!