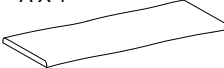


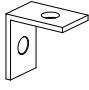
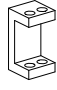
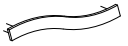
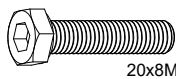
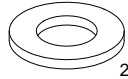
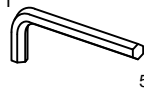
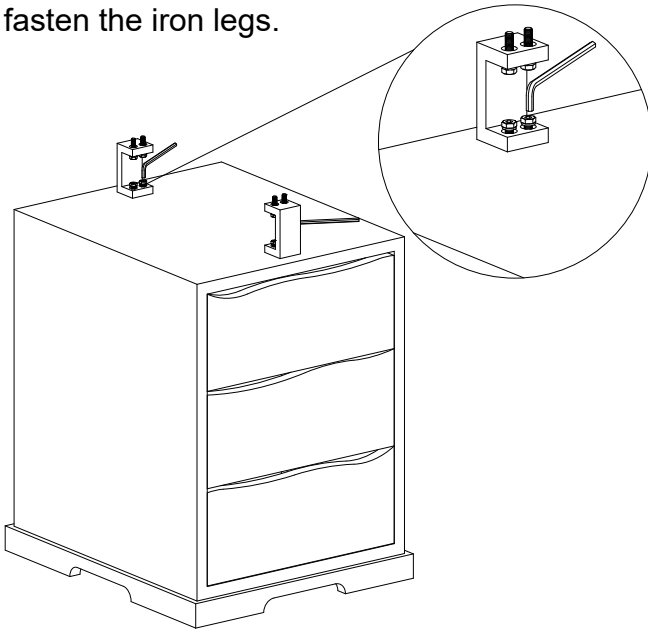


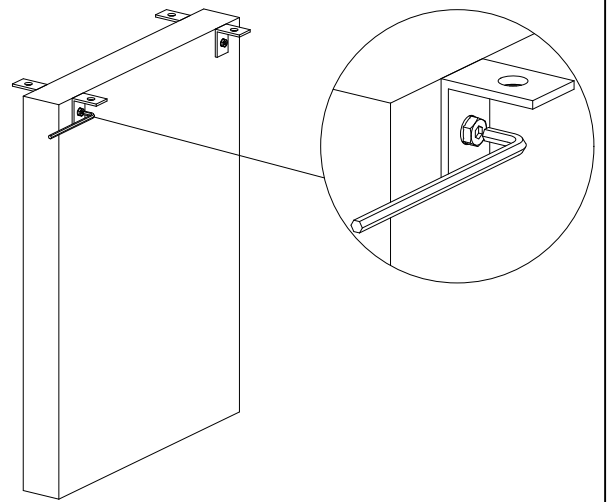
# ASSEMBLY INSTRUCTIONS FOR LIVE EDGE STUDY TABLE

<b>A X 1</b> 	<b>B X 1</b> 	<b>C X 1</b> 	<b>D X 4</b> 	<b>E X 2</b> 	<b>F X 3</b> 
<b>G X 12</b>  20x8MM	<b>H X 12</b>  25x8MM	<b>I X 1</b>  5MM			

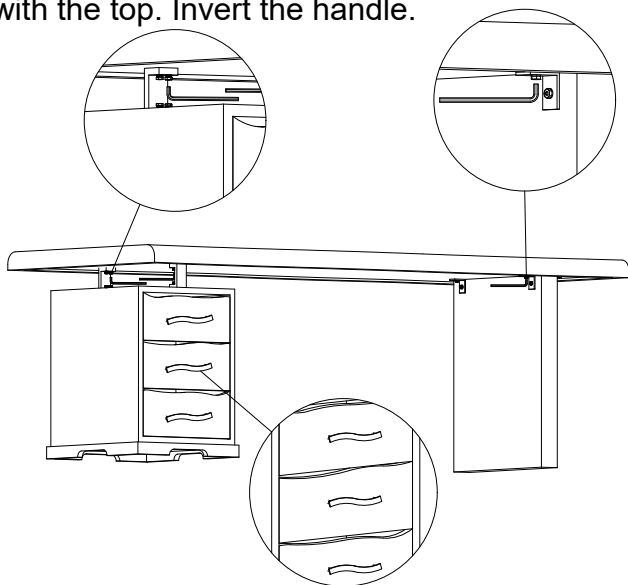
**Step 1 - Place the iron legs top on cabinet and fasten the iron legs.**



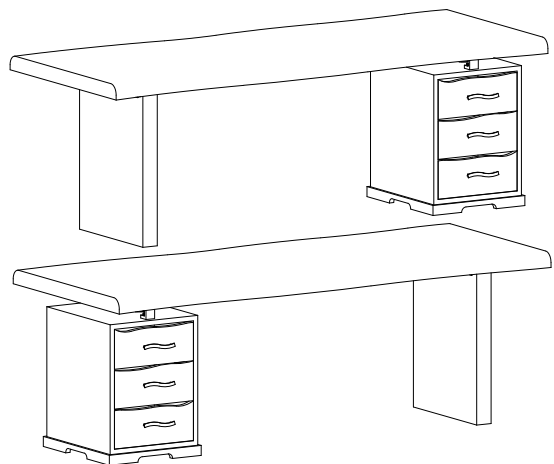
**Step 2 -**



**Step 3 - Assemble the both side cabinet with the top. Invert the handle.**



**Step 4 - Your Product is now ready for use if it is shaking please tighten the bolts. By placing the top in either direction the drawers can be left or right aligned**



## Care Instructions

Wipe with a soft, dry cloth. To protect finish, avoid the use of chemicals and household cleaners. Any liquid spilled onto the table should be cleaned up immediately with a damp cloth. Avoid keeping the product in direct sunlight.