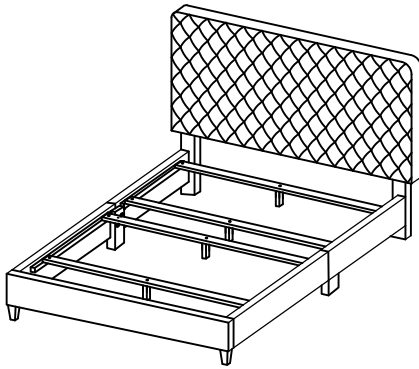
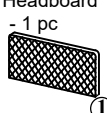

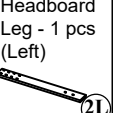
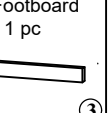
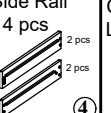
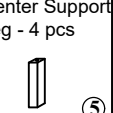
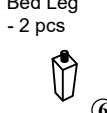




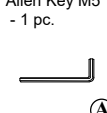
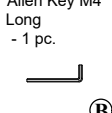

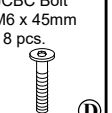
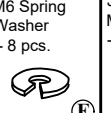
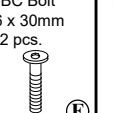
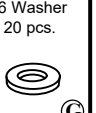
# ASSEMBLY INSTRUCTIONS



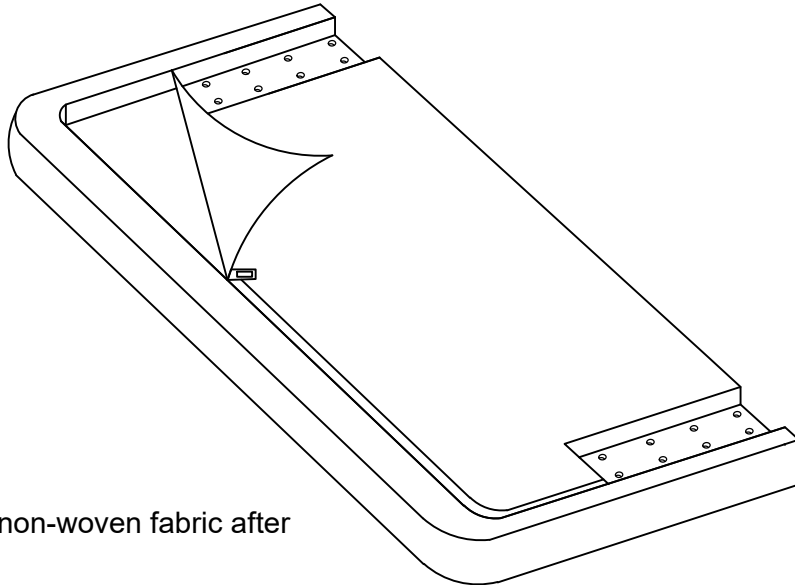
## COMPONENT

Headboard - 1 pc  ①	Headboard Leg - 1 pcs (Right)  ②R	Headboard Leg - 1 pcs (Left)  ②L	Footboard - 1 pc  ③	Side Rail - 4 pcs  ④	Center Support Leg - 4 pcs  ⑤
Bed Leg - 2 pcs  ⑥	Bed Slats - 4 pcs  ⑦	Side Rail Support Leg - 2 pcs  ⑧			

## HARDWARE

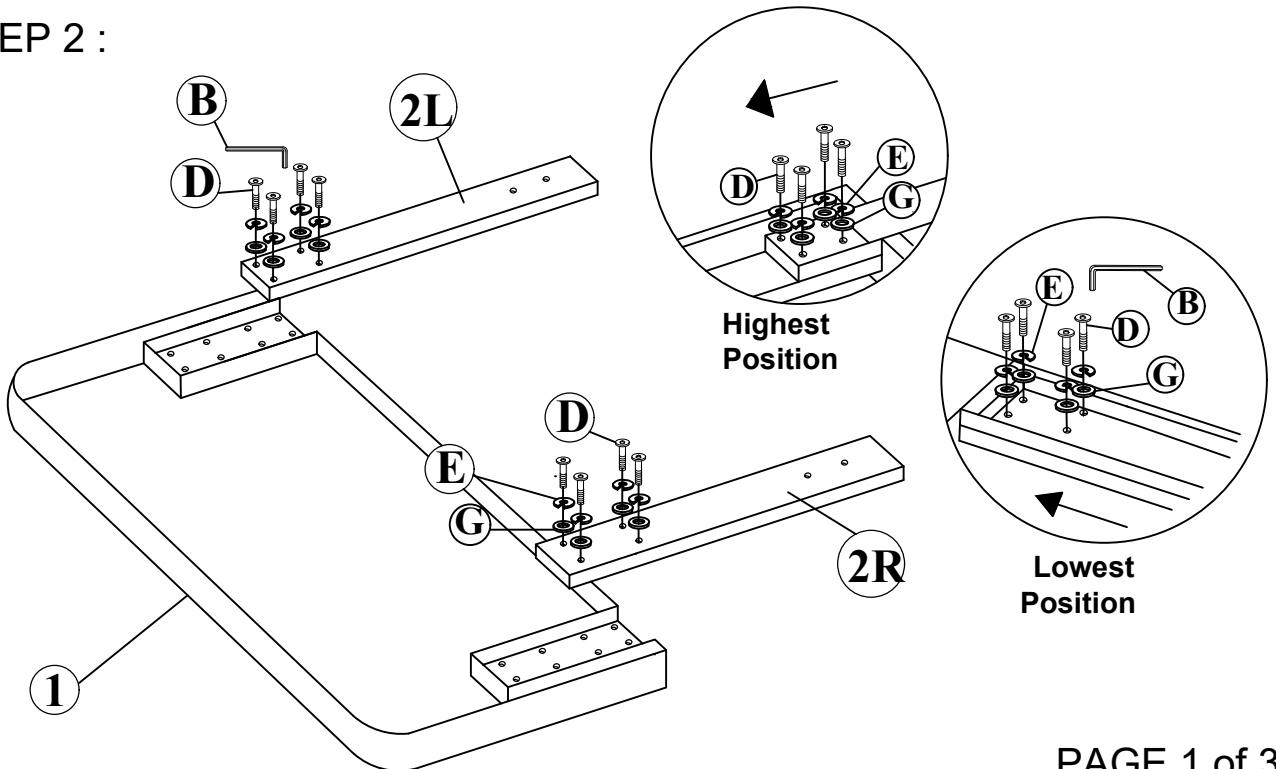
Allen Key M5 - 1 pc.  ①	Allen Key M4 Long - 1 pc.  ②	Wood Screw M4 x 25mm - 8 pcs.  ③	JCBC Bolt M6 x 45mm - 8 pcs.  ④	M6 Spring Washer - 8 pcs.  ⑤	JCBC Bolt M6 x 30mm - 12 pcs.  ⑥	M6 Washer - 20 pcs.  ⑦
--	---	---	---	---	--	---

## STEP 1 :



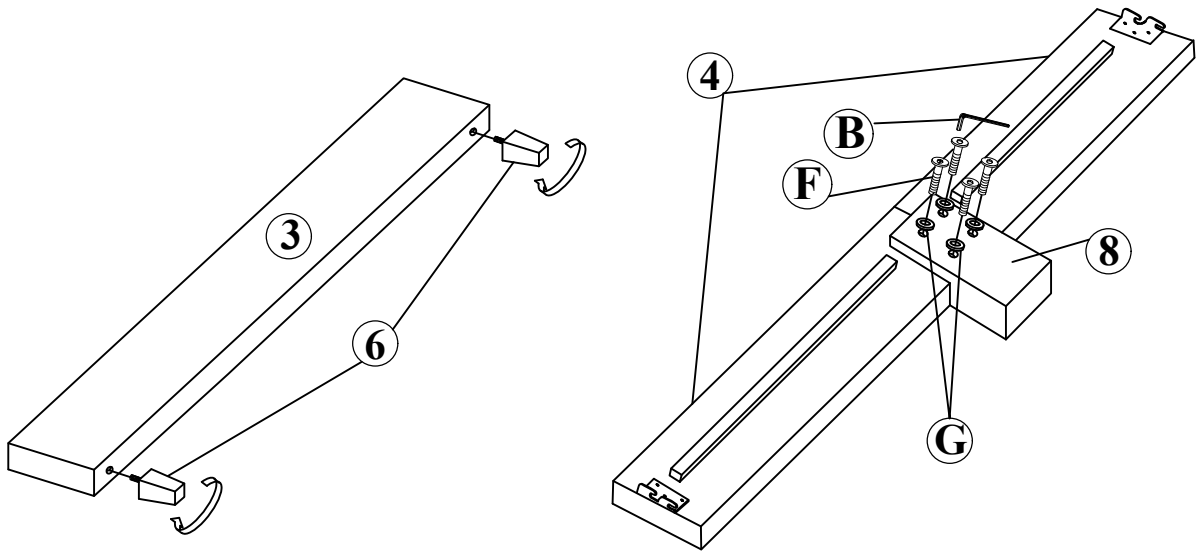
**ATTENTION :** Zip the black non-woven fabric after take out the part .

## STEP 2 :

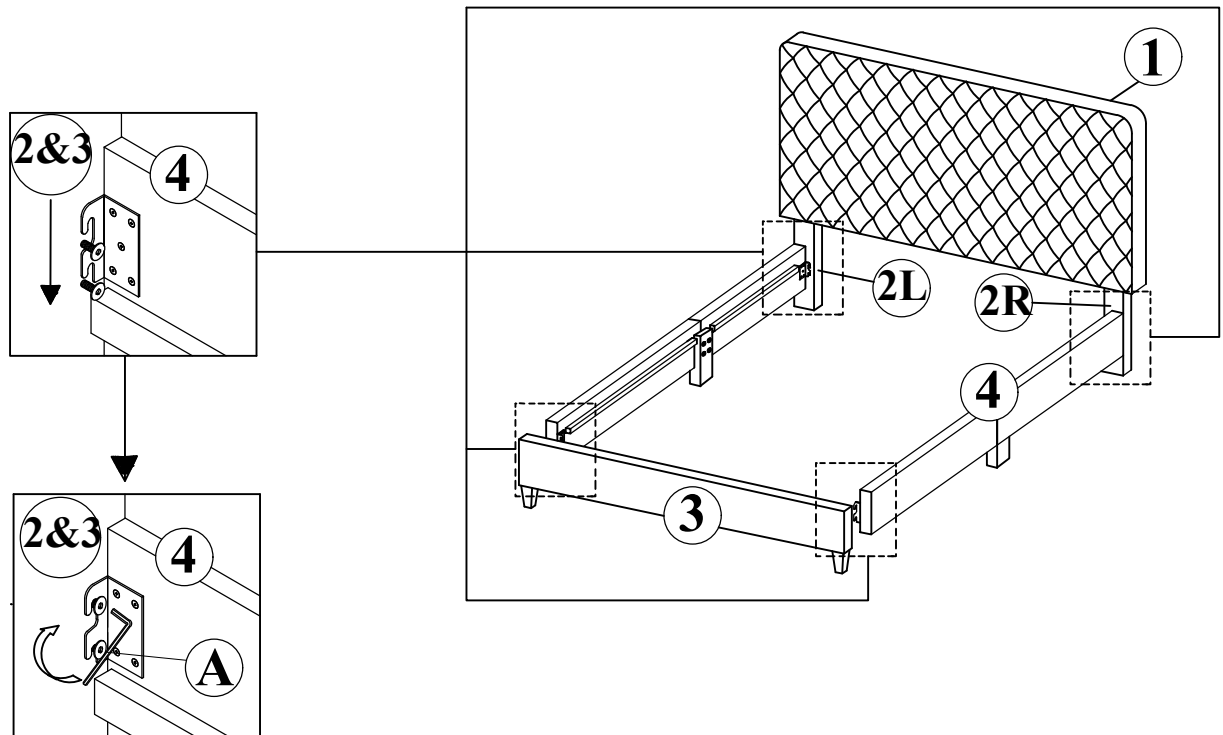


# ASSEMBLY INSTRUCTIONS

STEP 3 :

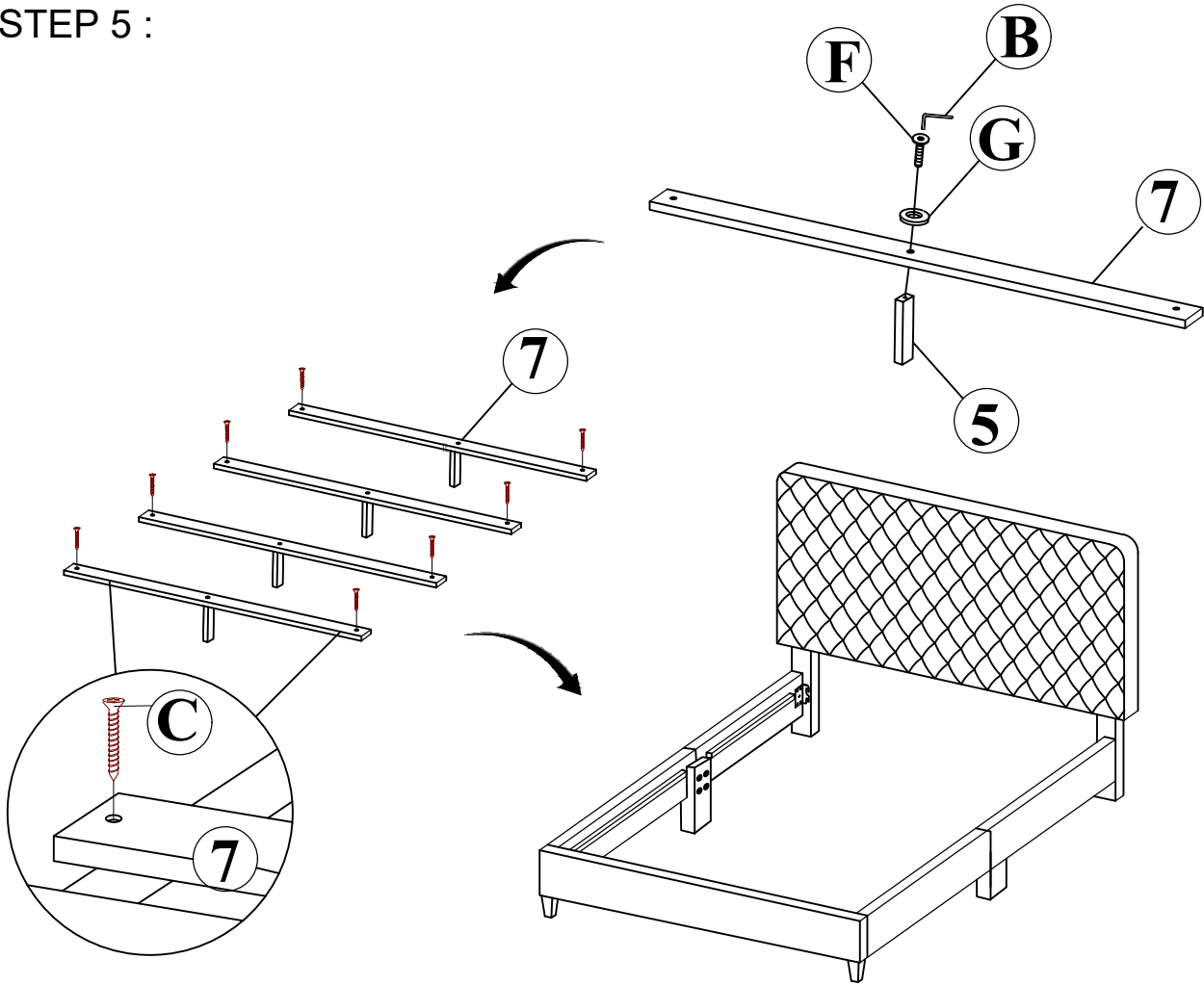


STEP 4 :

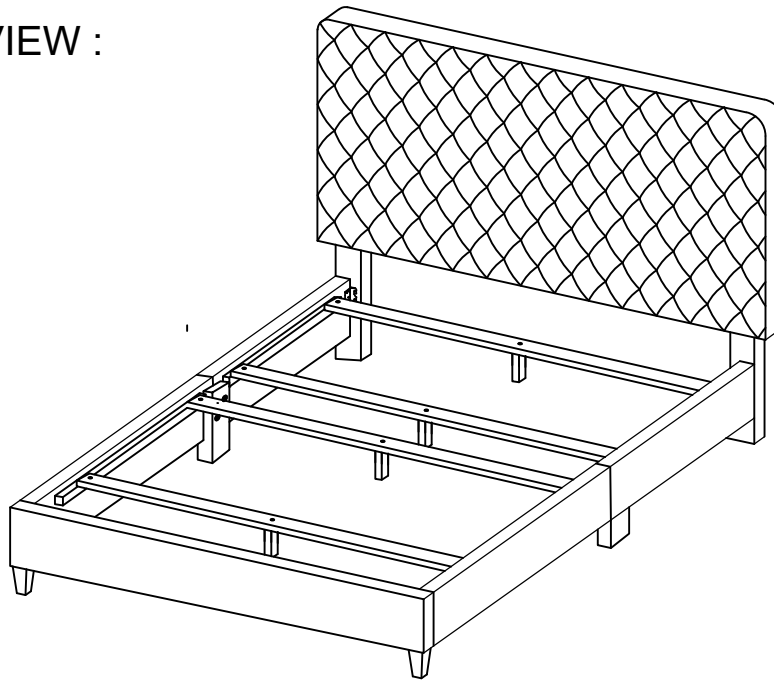


# ASSEMBLY INSTRUCTIONS

STEP 5 :



COMPLETE VIEW :



## IMPORTANT

Please lift up the bed to move with 2 or more people. DO NOT DRAG THE BED!