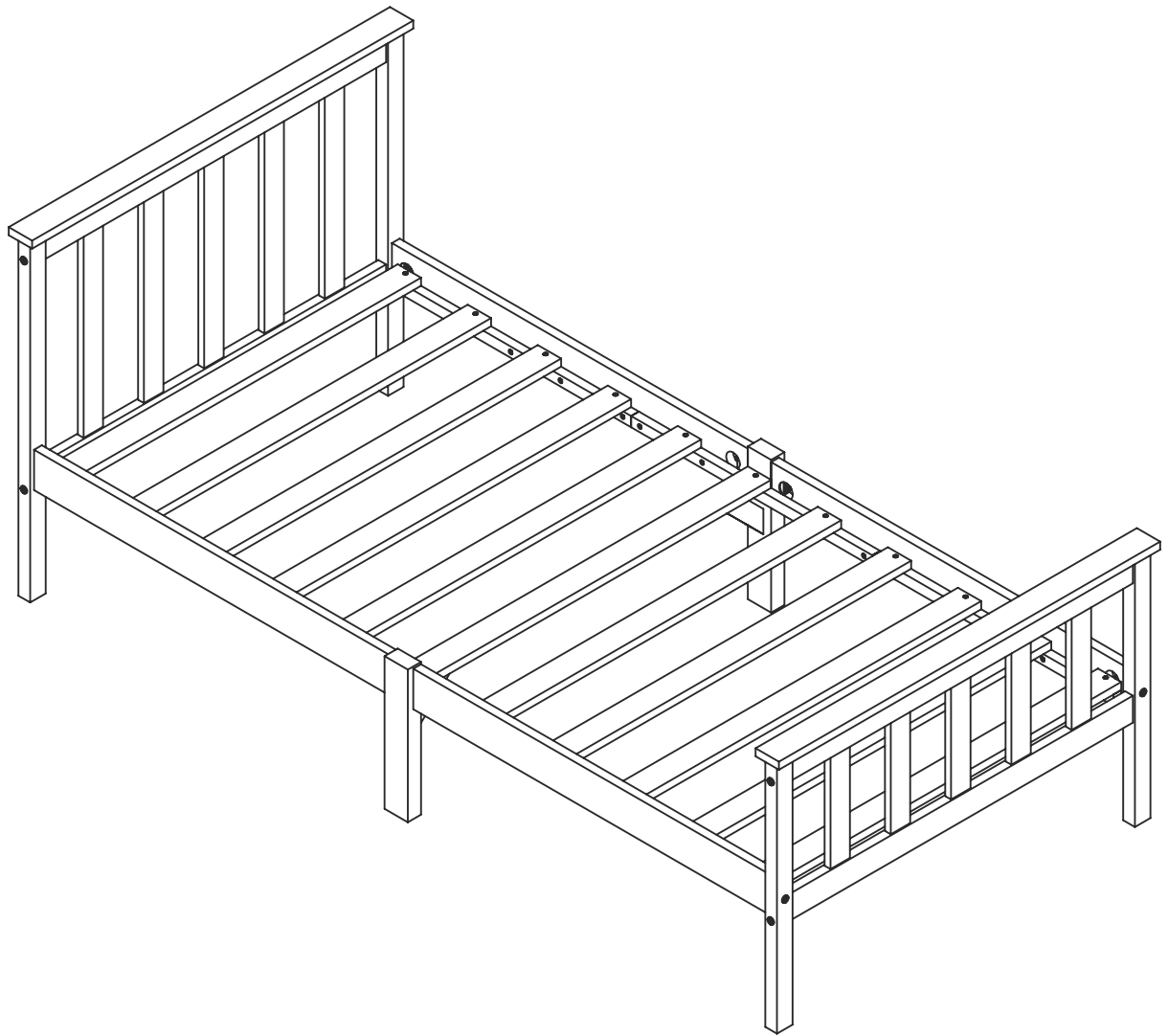
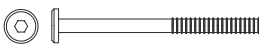




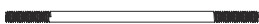




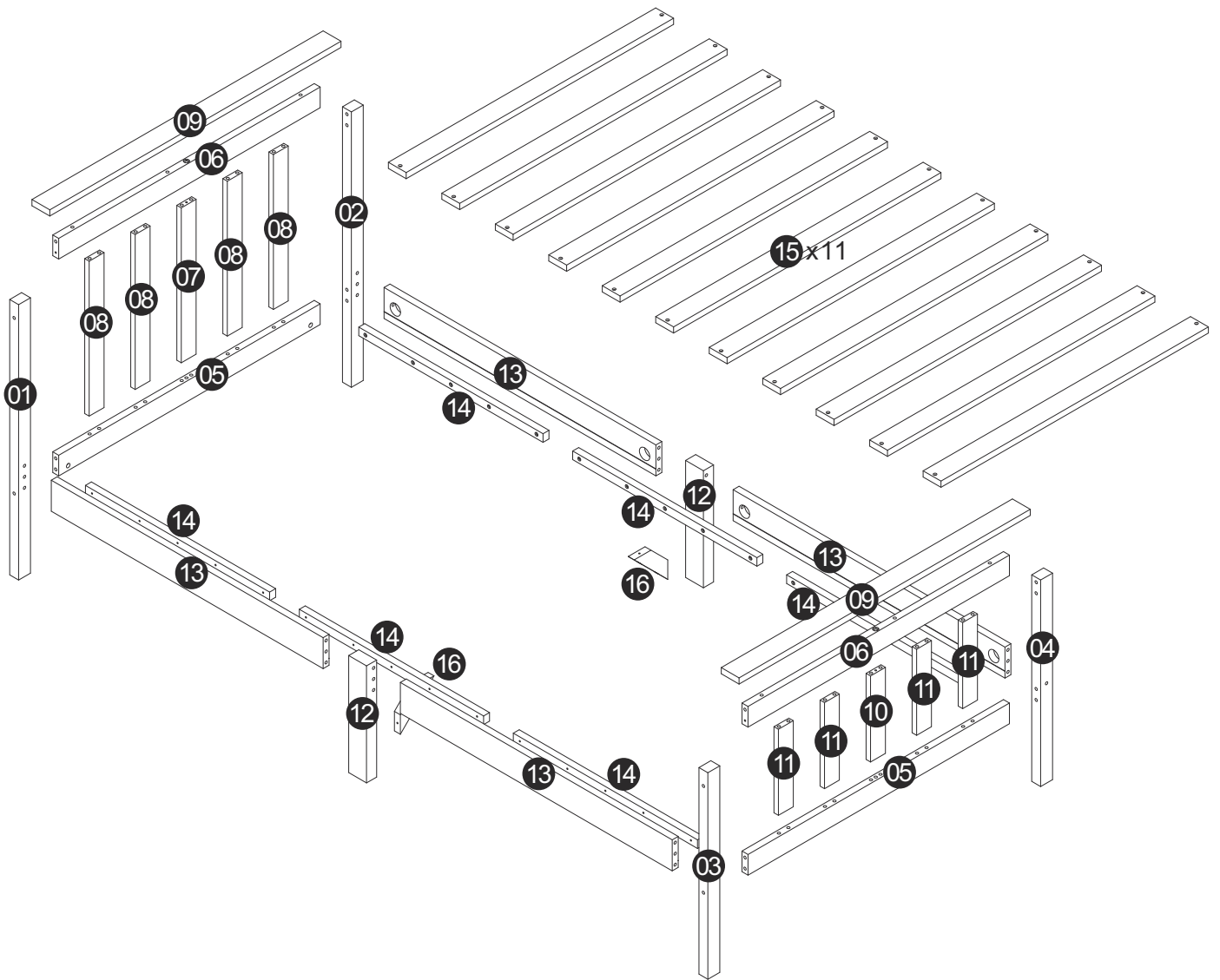


Single Bed



<p>A x4</p>  <p>M6x90</p>	<p>B x4</p> 	<p>C x64</p>  <p>Φ8x30</p>	<p>D x8</p>  <p>Φ6x90</p>	<p>F x10</p>  <p>M6x70</p>
<p>G x2</p> 	<p>H x8</p> 	<p>J x56</p>  <p>Φ4x30</p>	<p>K x2</p> 	<p>L x1</p> 

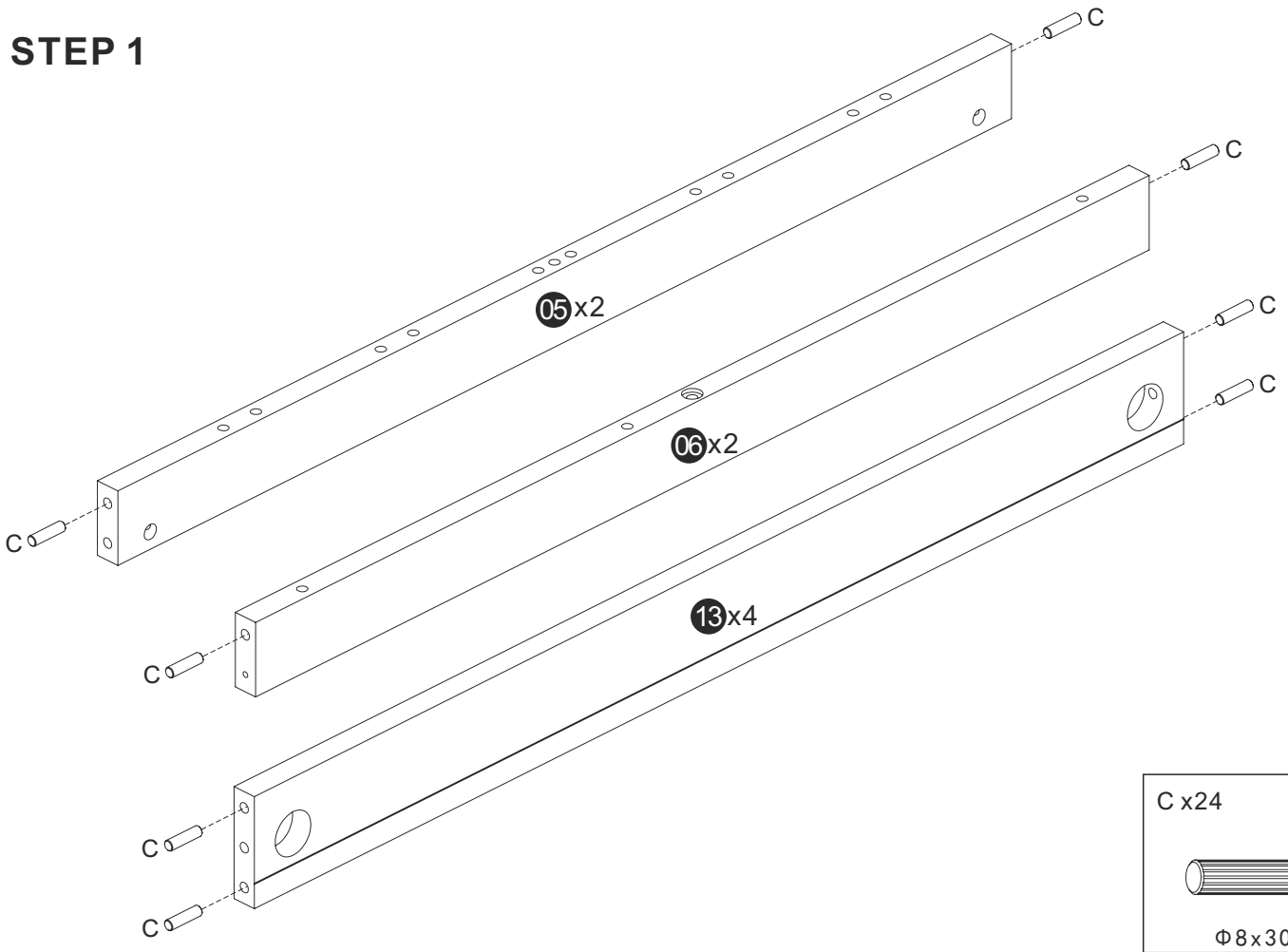
PARTS LIST



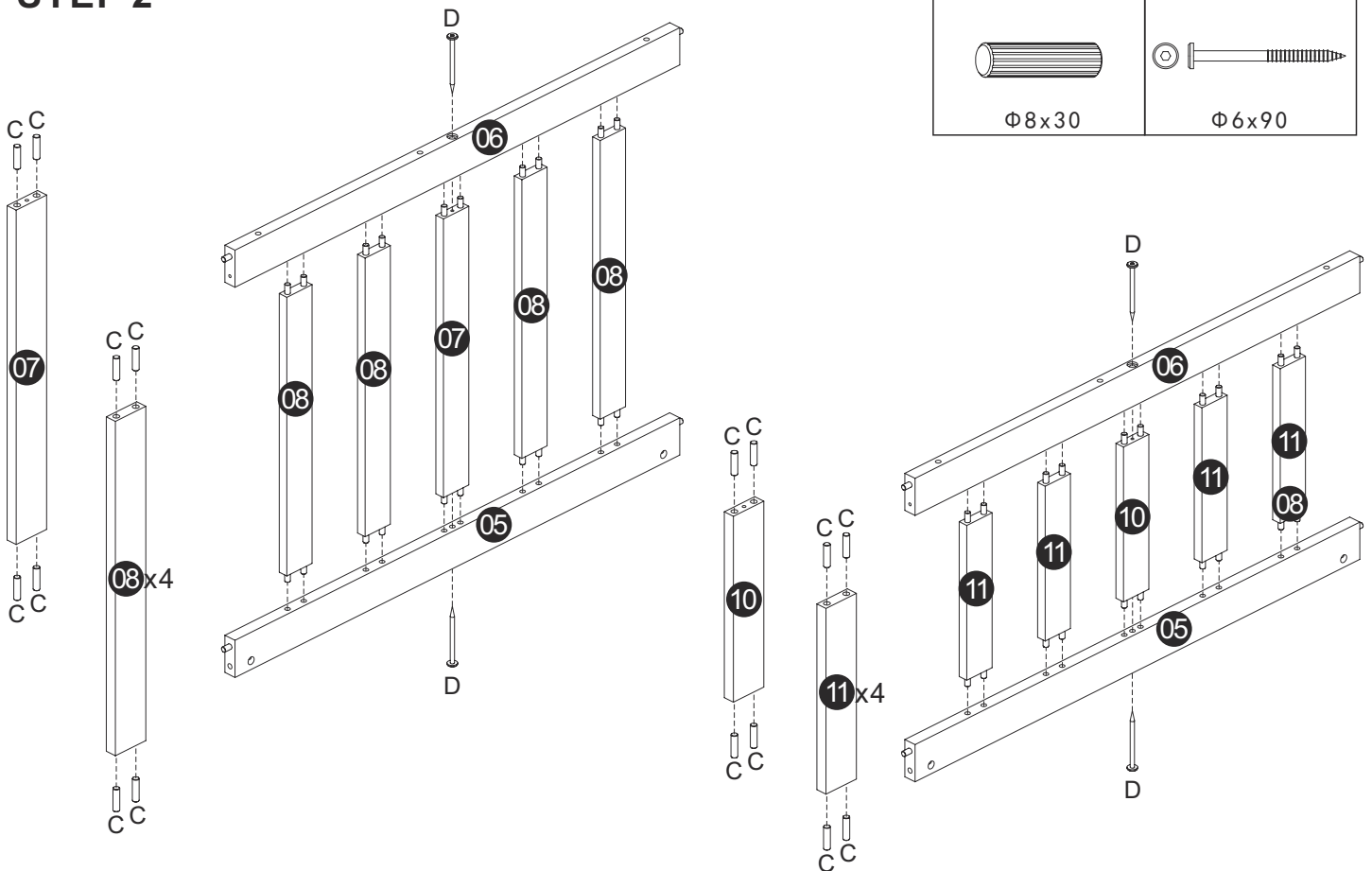
NO.	QTY	DESCRIPTION
01	1	Bed leg
02	1	Bed leg
03	1	Bed leg
04	1	Bed leg
05	2	Lower cross-brace
06	2	Upper cross-brace
07	1	Head support
08	4	Head support

NO.	QTY	DESCRIPTION
09	2	Head board
10	1	Tail support
11	4	Tail support
12	2	side leg
13	4	Bed side
14	6	Bedside support
15	11	Bed slat
16	2	Side support

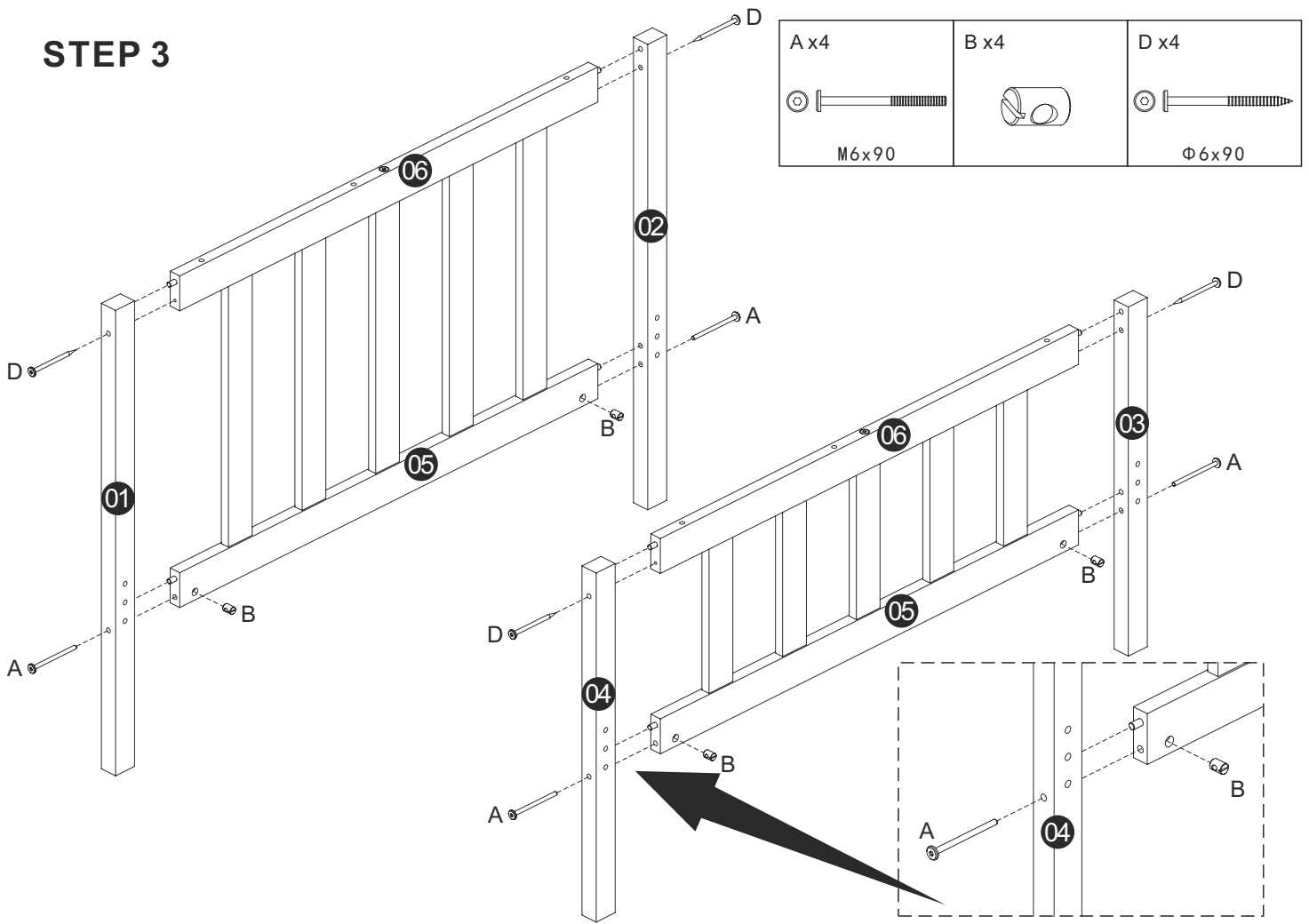
STEP 1



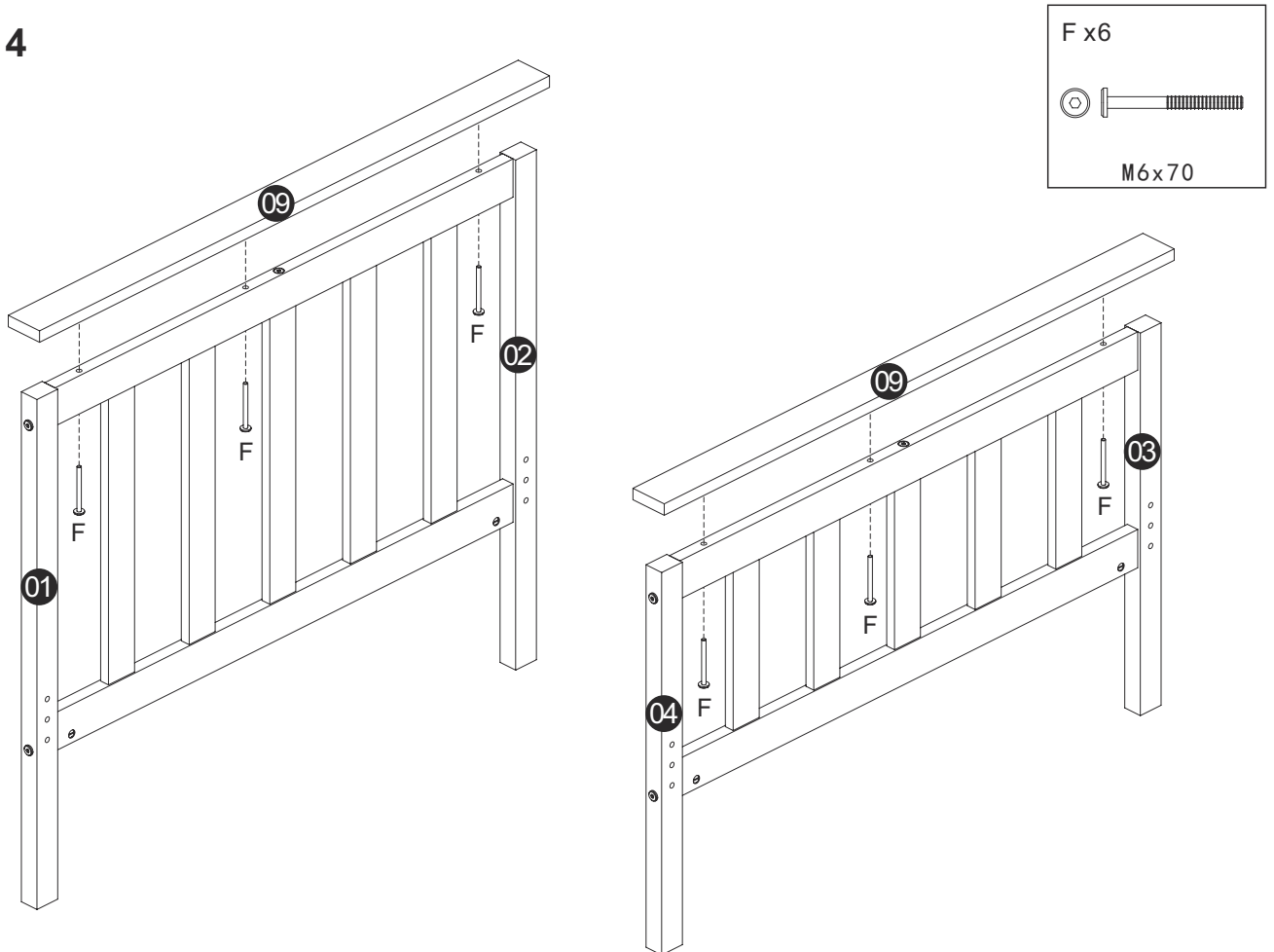
STEP 2



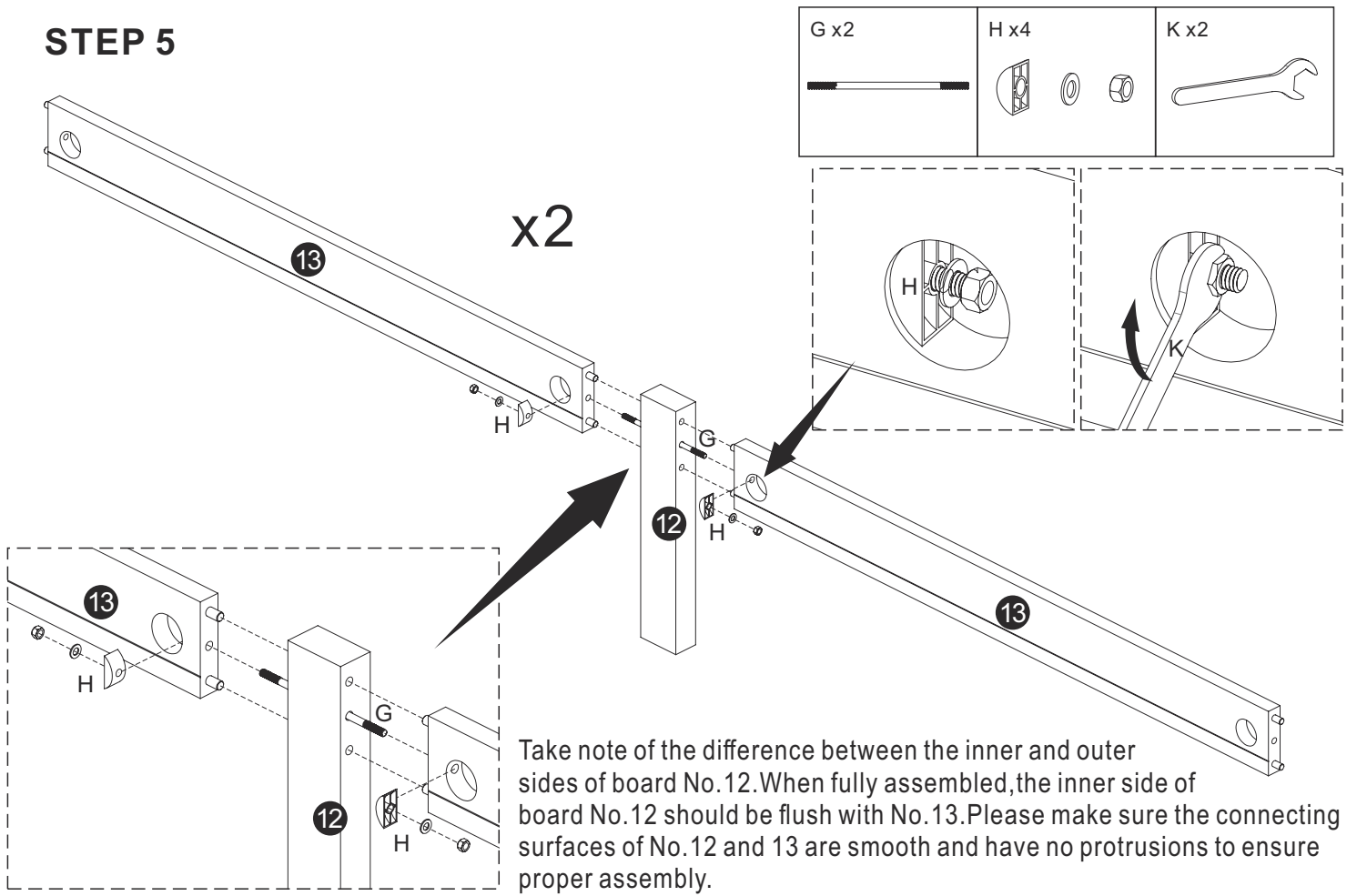
STEP 3



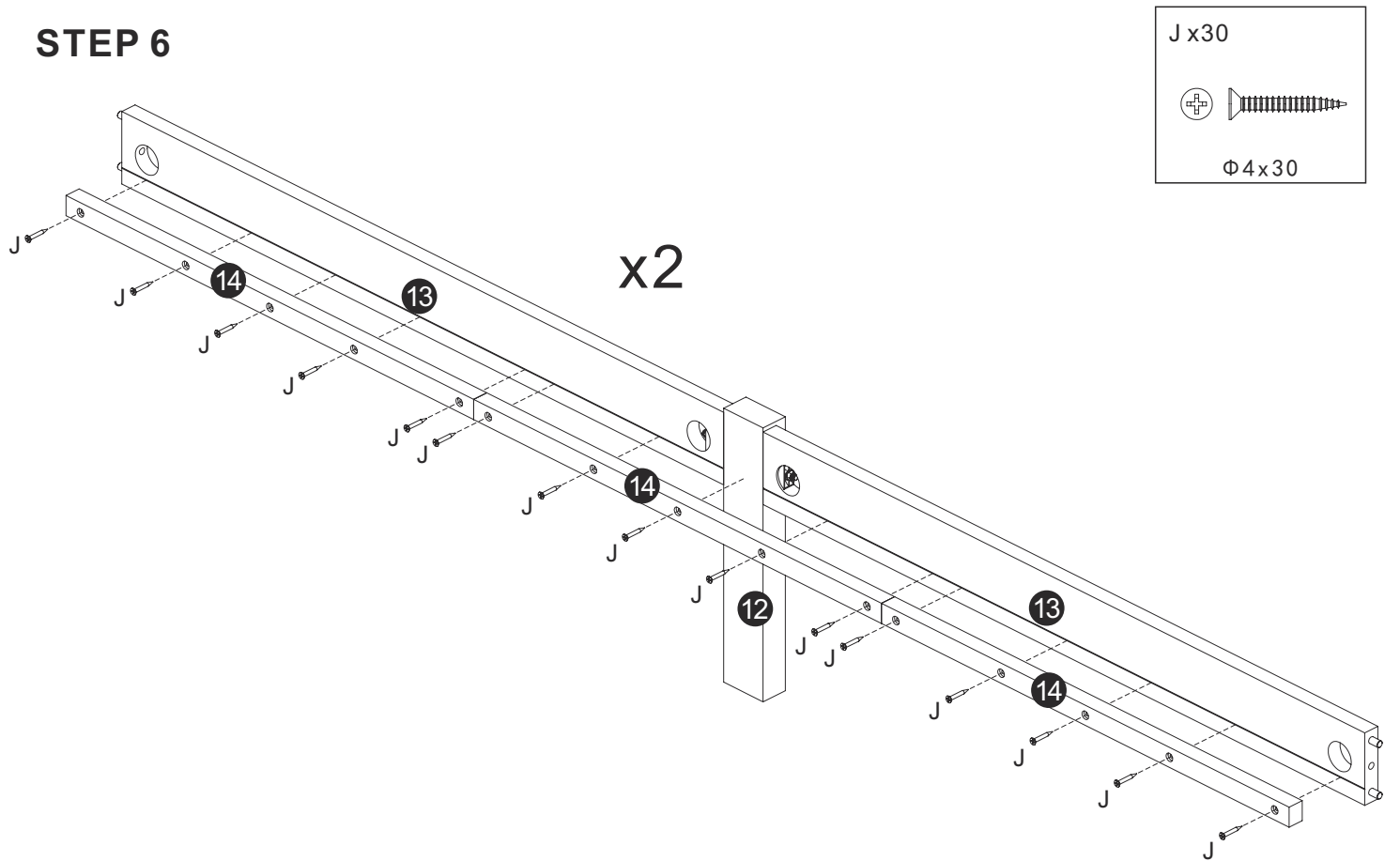
STEP 4








STEP 5

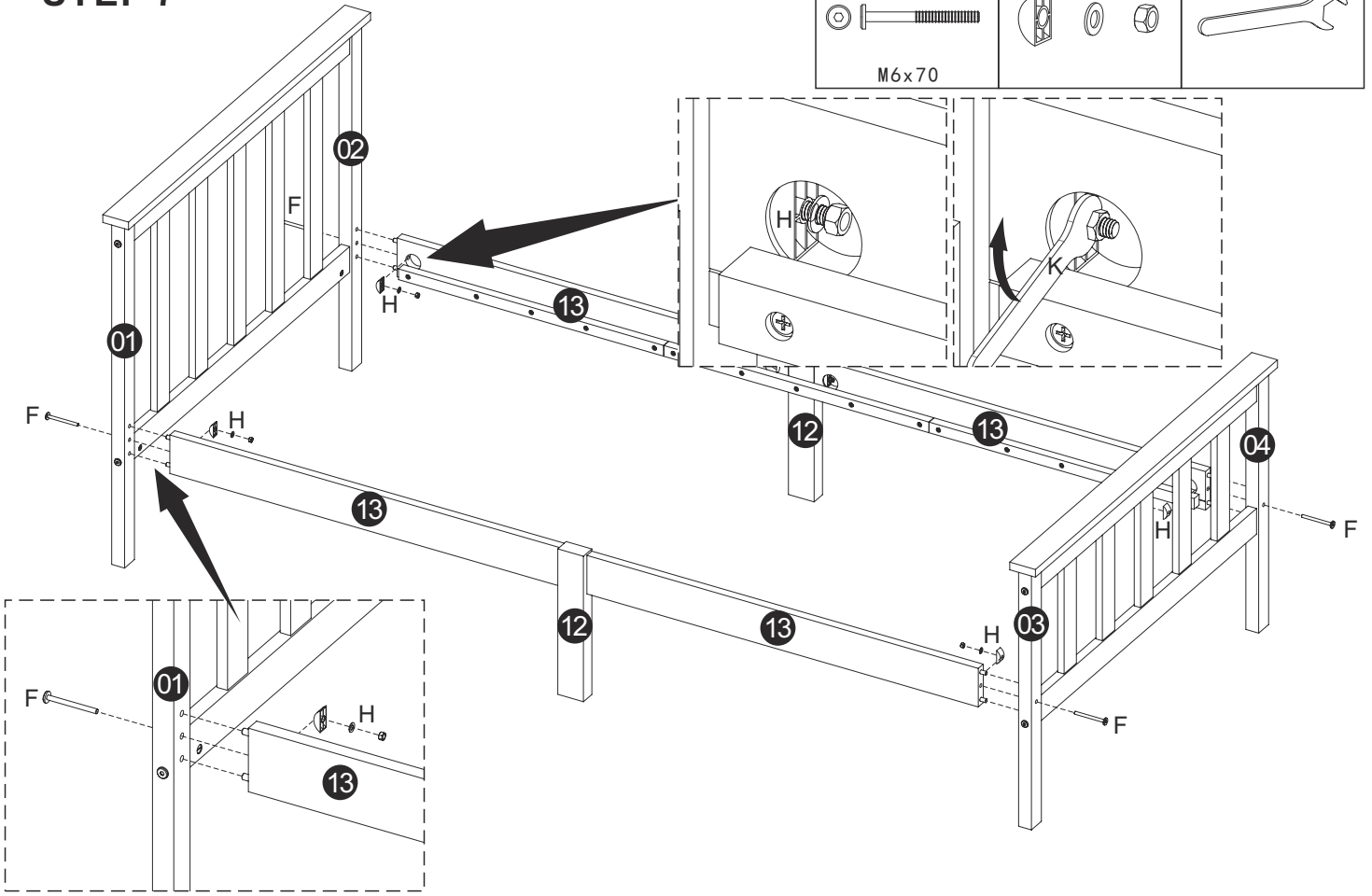


STEP 6




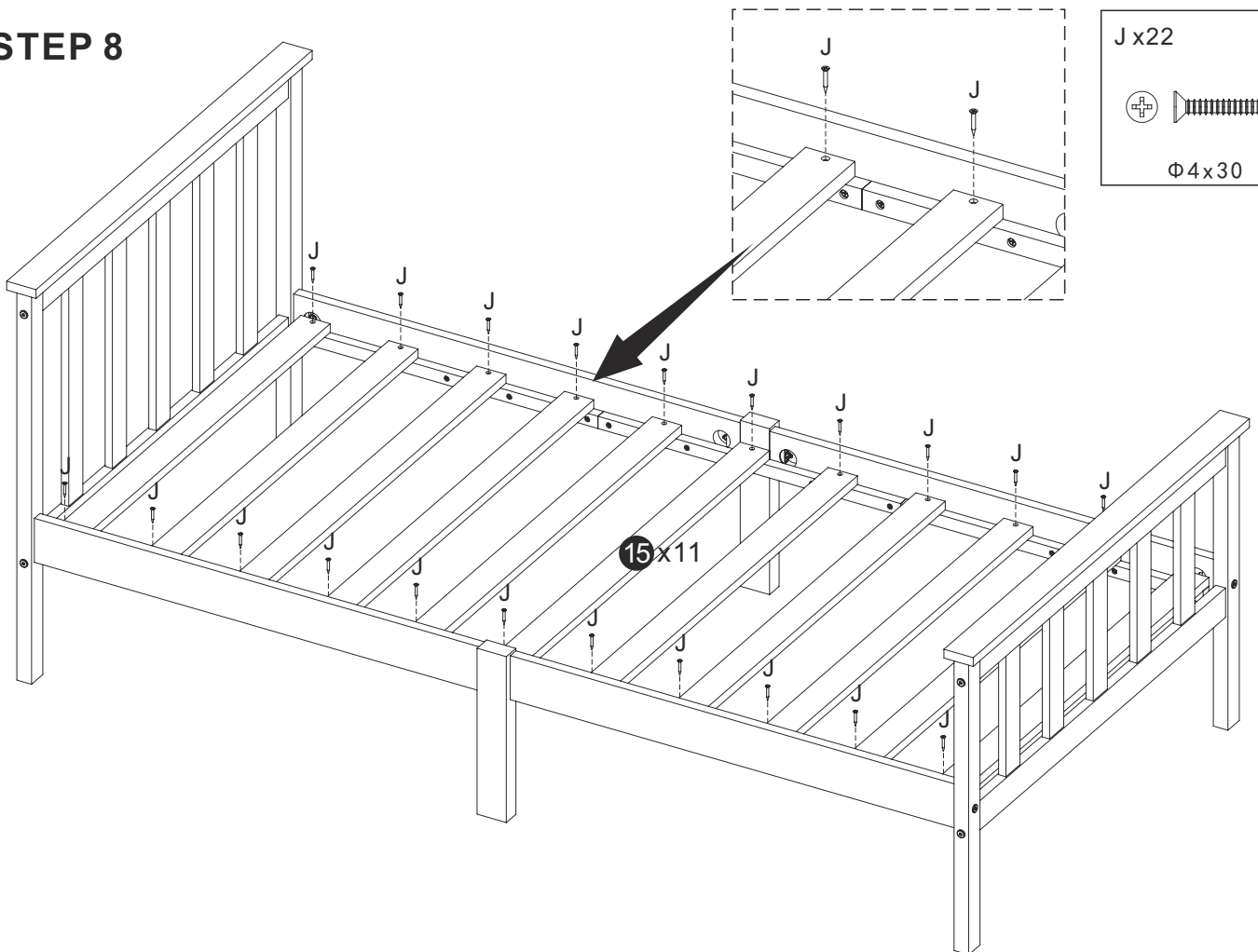
STEP 7

F x4  M6x70	H x4   	K x1 
-----------------------------------------------------------------------------------------------------	---------------------------------------------------------------------------------------------------------------------------------------------------------------------------------------------------------------------------------------------------------------------------	---------------------------------------------------------------------------------------------





STEP 8

J x22  Φ4x30



STEP 9

J x4



Φ4x30

