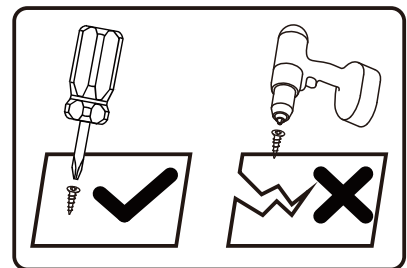
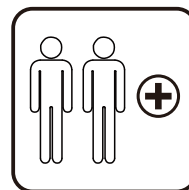
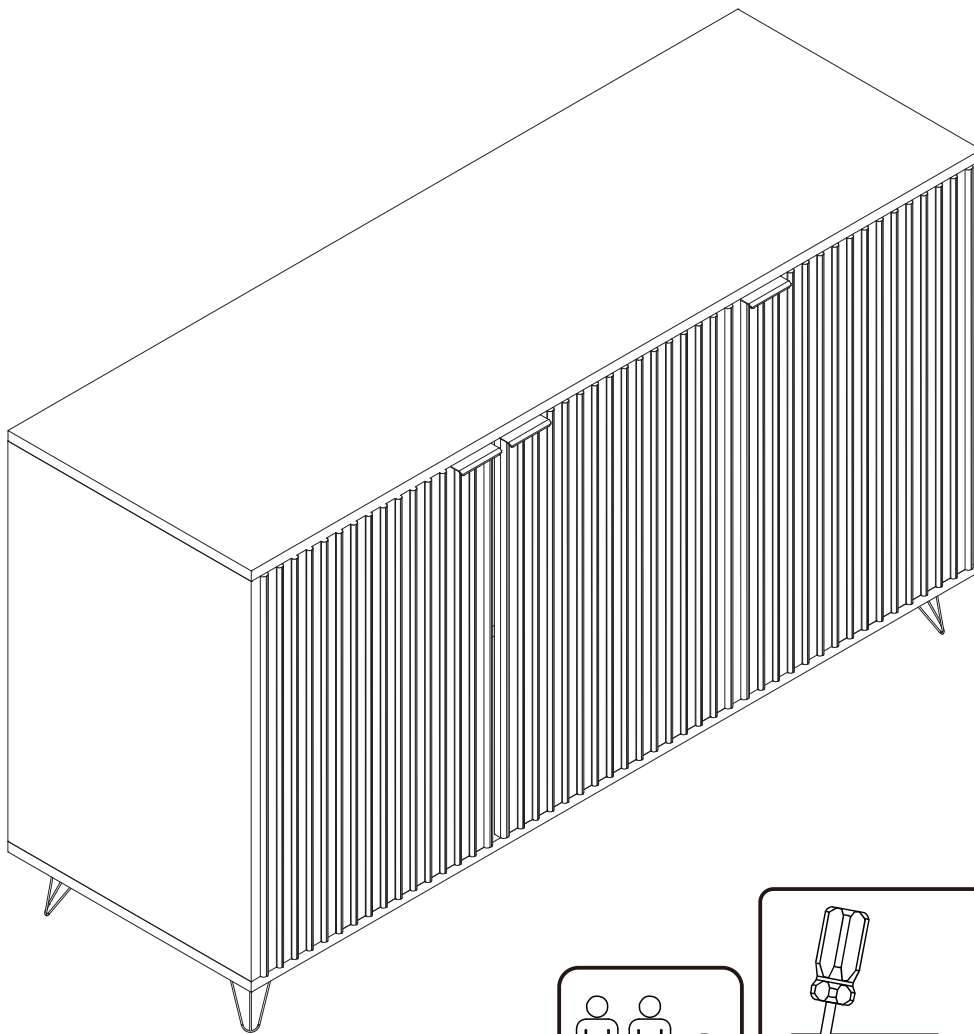


ASSEMBLY INSTRUCTIONS

Customer Service : cs@nbrehome.com



Tools Recommended

THIS INSTRUCTIONS CONTAINS IMPORTANT SAFETY INFORMATION.
PLEASE READ BEFORE ASSEMBLY AND KEEP FOR FUTURE REFERENCE.

Need Parts or Assistance? Email us : cs@nbrehome.com

IMPORTANT NOTICE

-This product contains small components, please ensure that they are kept away from small children.

-THIS INSTRUCTIONS CONTAINS IMPORTANT SAFETY INFORMATION.
PLEASE READ BEFORE ASSEMBLY AND KEEP FOR FUTURE REFERENCE.

-Read each step carefully. It is very important that each step of instruction is performed in the correct order. If these steps are not followed in sequence, assembly difficulties will occur.

-Make sure all parts are included. Most parts are labelled or stamped on the raw edge.

-Work in spacious area, preferably on a carpet, near the place the unit will be used.

-Do not use power tools to assemble your furniture. Power tools may strip or damage the parts.

-Move your new furniture carefully, with two people lift and carry the unit to it's new location.

-Never push, drag or pull your furniture (especially on carpet)



PLEASE DO NOT RETURN PRODUCT TO US IMMEDIATELY

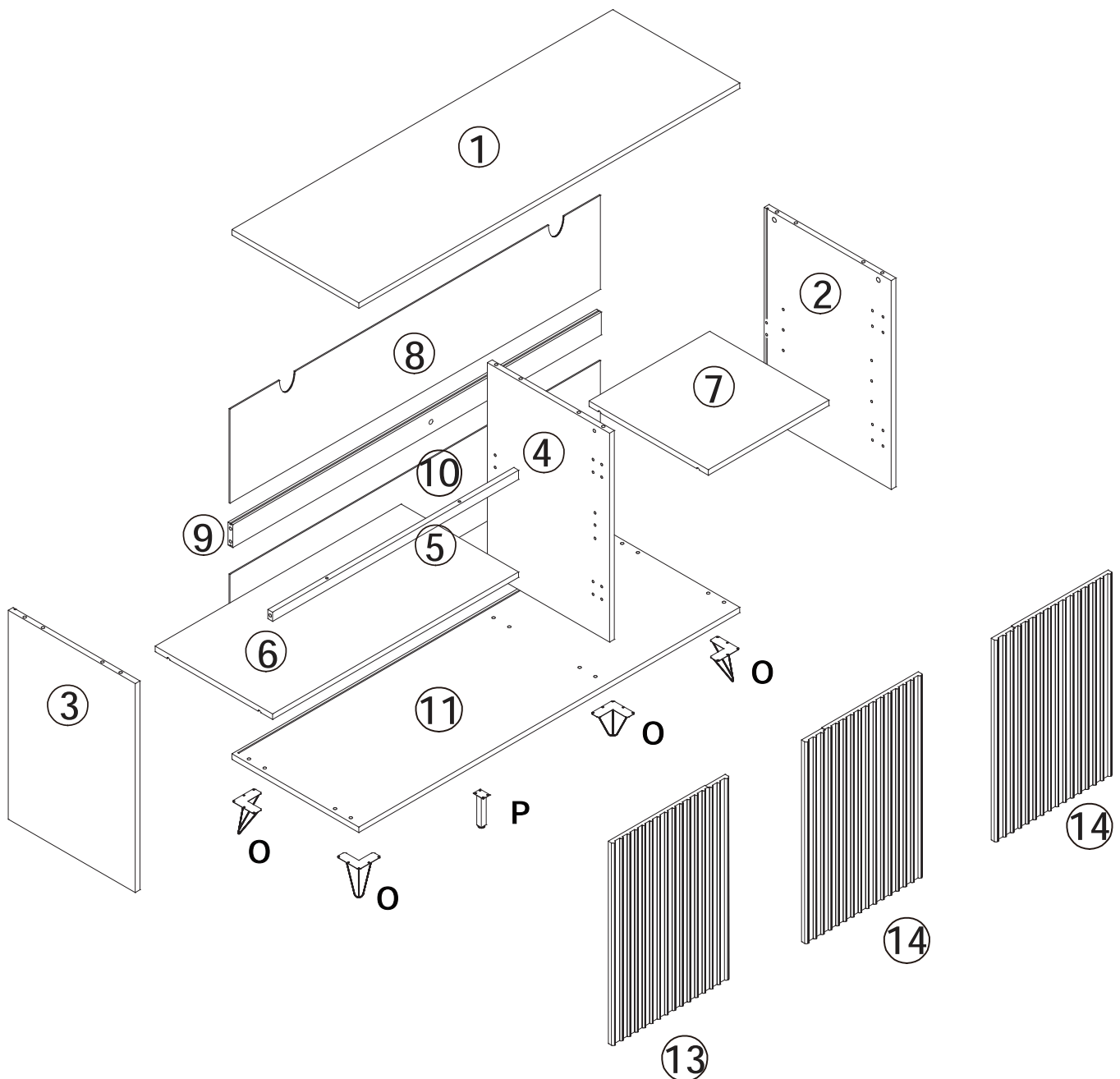
If a part is missing or damaged, email our customer service.
We will gladly ship your replacement parts FREE of charge.
















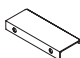





Need Parts or Assistance? Email us : cs@nbrehome.com

For Prompt, reliable service, please have your assemble instruction ready

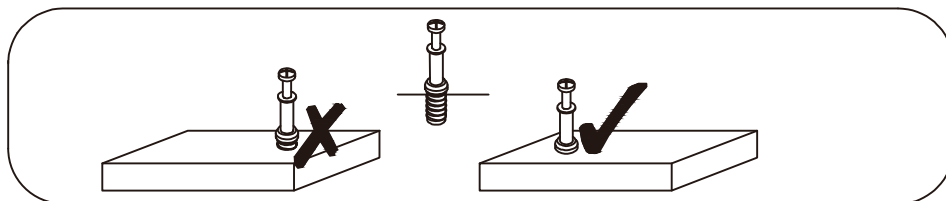
 WARNING	
	Children have died from furniture tipover. To reduce the risk of furniture tipover: <ul style="list-style-type: none">• ALWAYS install anti-tip device provided.• NEVER put a TV on this product.• NEVER allow children to stand, climb or hang on any drawers, doors, or shelves.• NEVER open more than one drawer at a time.• Place heaviest items in the lowest drawers.
	<p>This is a permanent label. Do not remove!</p>

The installation direction should be aligned with the instructions to prevent plate breakage caused by product tipping during installation.

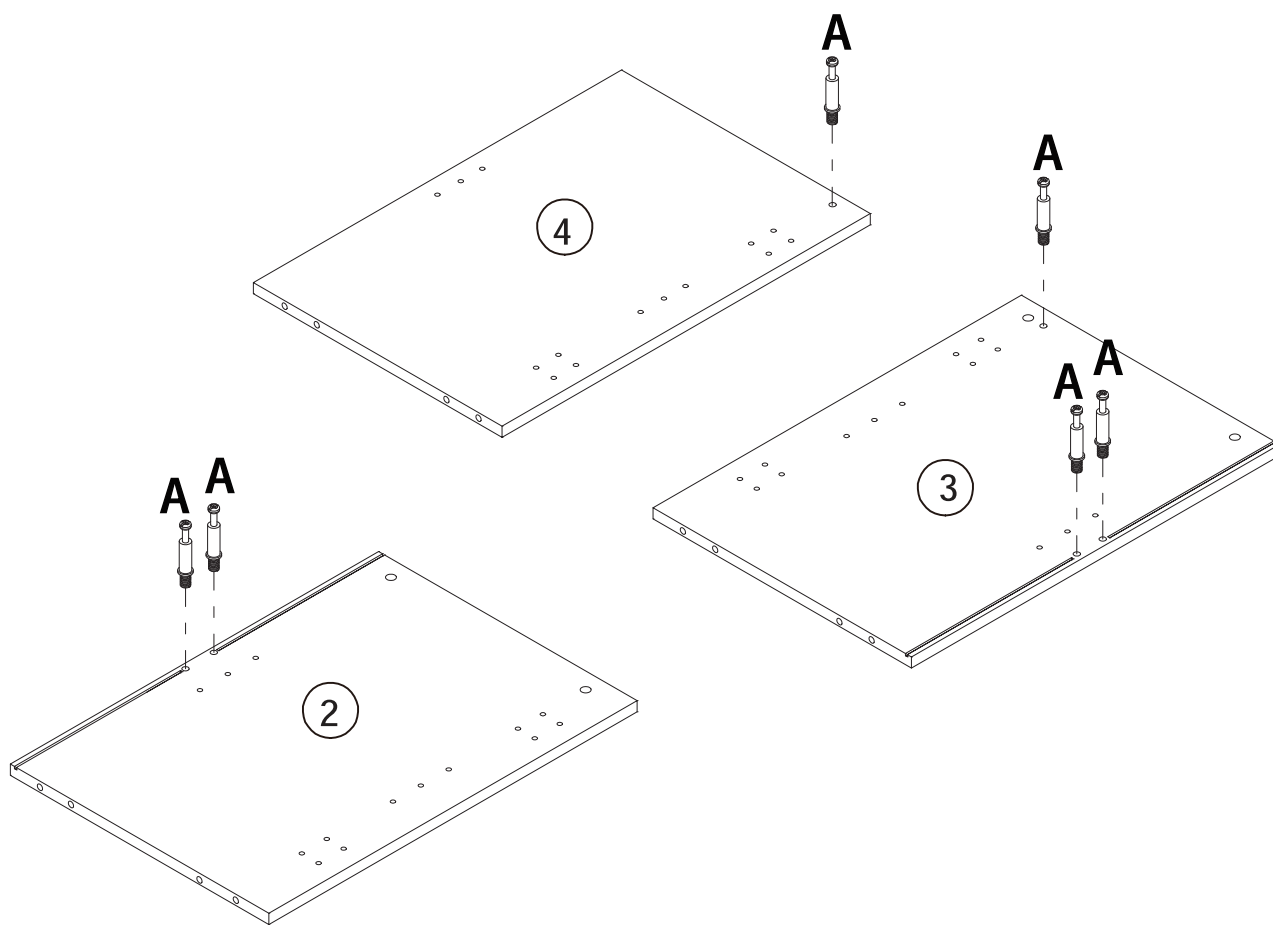


Ax12  Ø6x35mm	Bx12 	Cx12  6x30mm	Dx36  4x12mm	Ex9  4x40mm	Fx2  4x40mm	Gx14  3x14mm
Hx8 	Jx1 	Kx2 	Lx26  4x12mm	Mx2 	Nx6 	Ox4 
Px1 	Qx3 	Rx8 	Sx6  3.5x12mm	Tx3 	Ux3 	Vx3  3.5x12mm

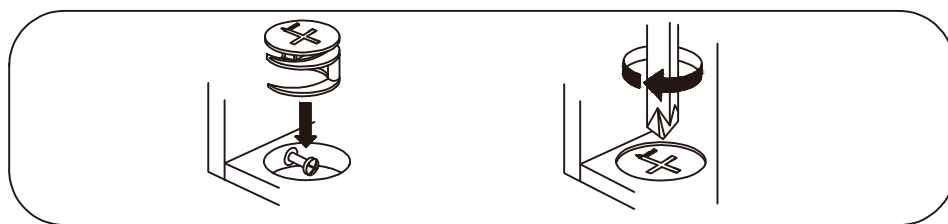
Step 1



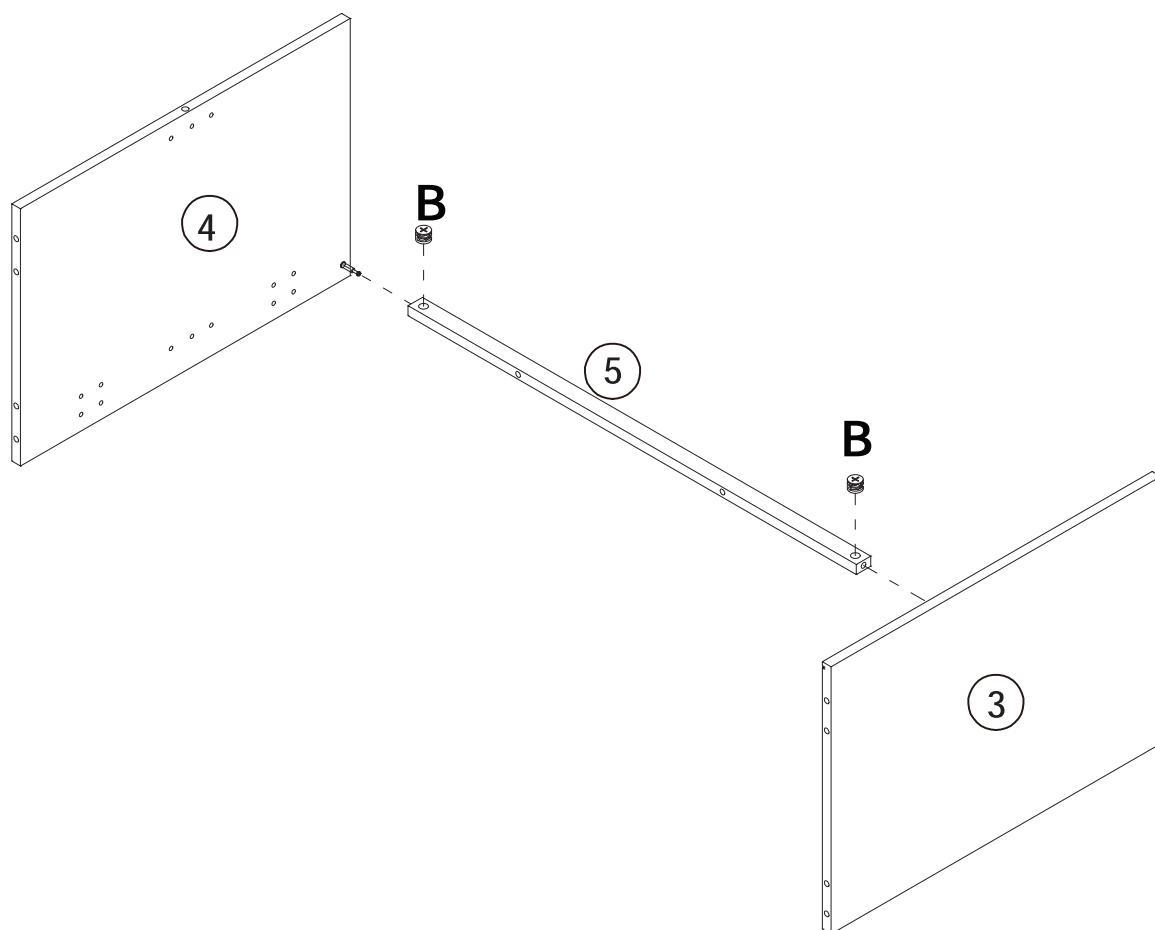
Lock the screw (A) to part ②③④, as shown.



Step 2



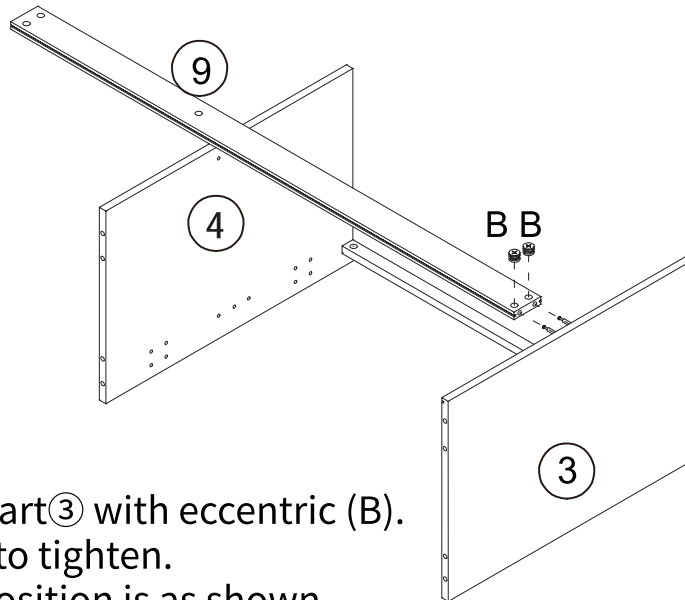
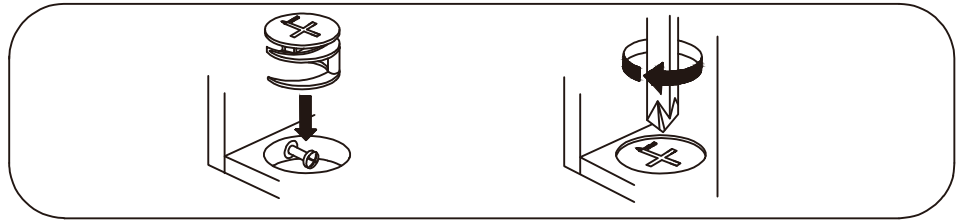
Assemble part ⑤ and parts ③④, then put the eccentric (B) into the hole and use a flat-blade screwdriver to turn it clockwise to tighten, the installation position is as shown below.



Bx2



Step 3

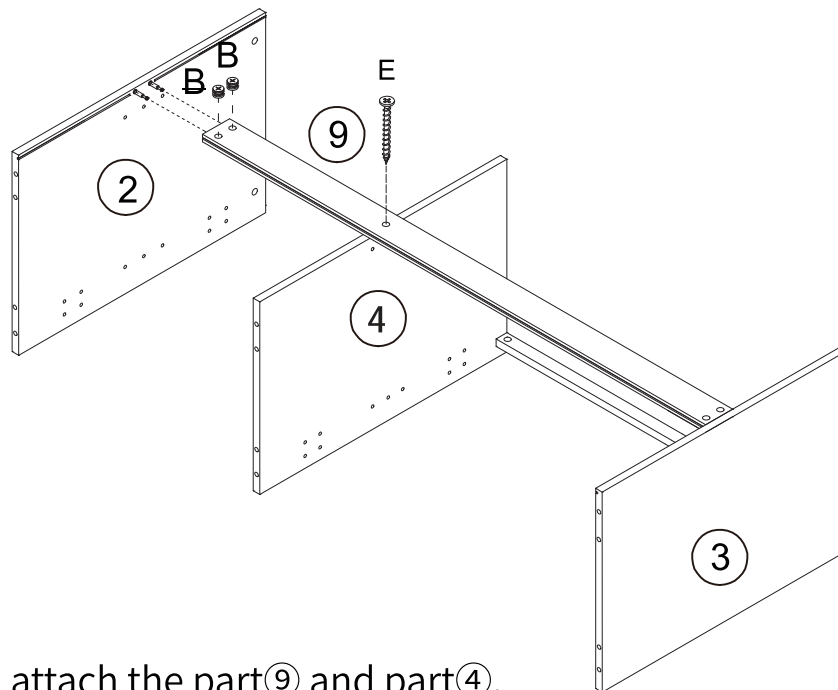


Attach part⑨ to part③ with eccentric (B).
Turn it clockwise to tighten.
The installation position is as shown
below.

Bx2



Step 4



Use screw(E) to attach the part⑨ and part④.
Attach part⑨ to part② with eccentric (B).
Turn it clockwise to tighten. The installation
position is as shown below.

Ex1



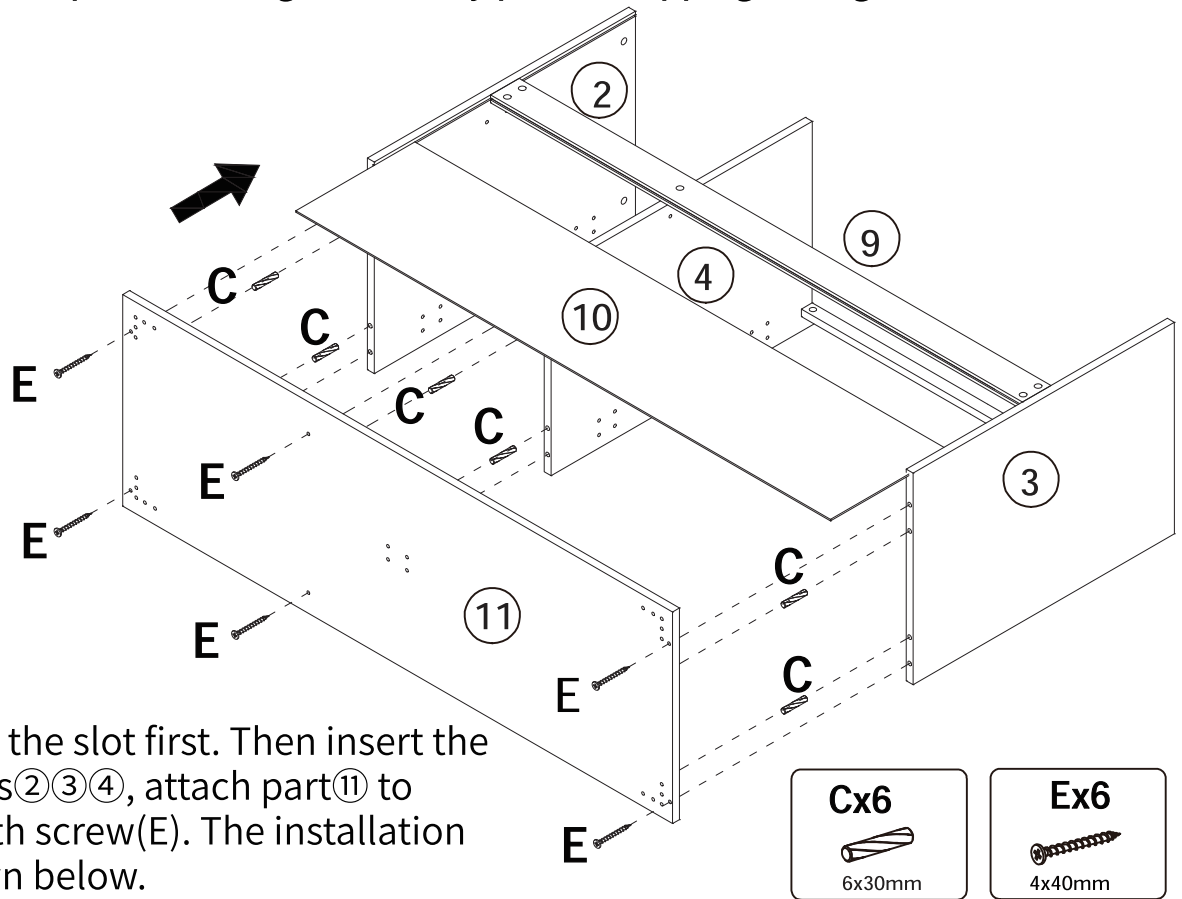
4x40mm

Bx2



Step 5

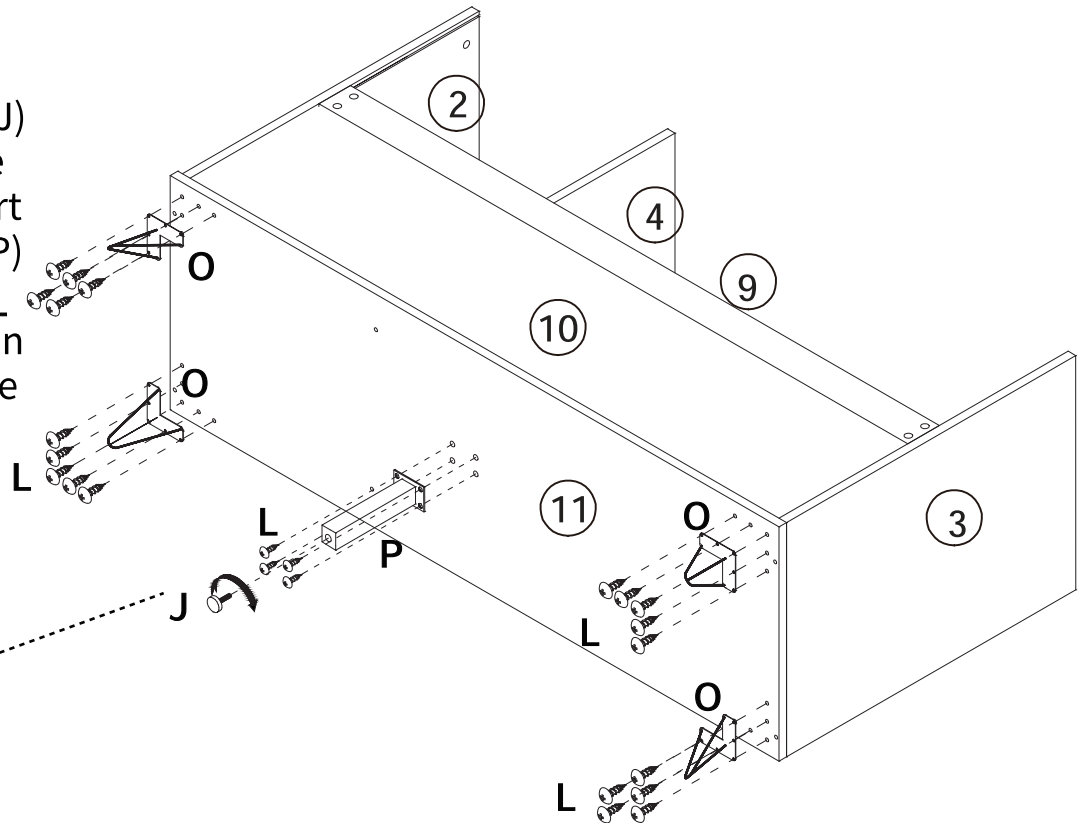
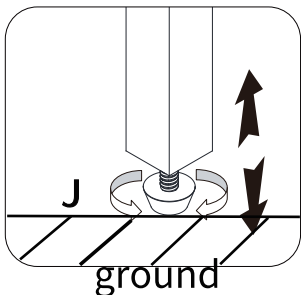
The installation direction should be aligned with the instructions to prevent plate breakage caused by product tipping during installation.



Step 6

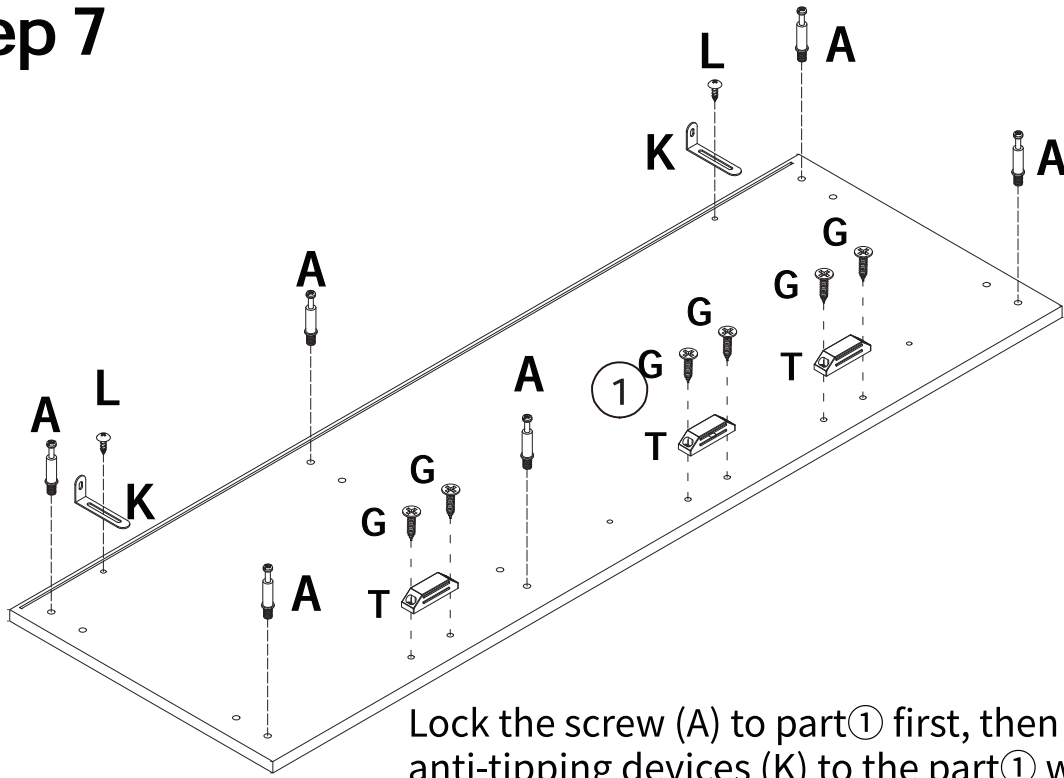
Rotate adjustable pad (J) into middle leg (P). Use screw (L) to lock support leg (O) and middle leg (P) to part ⑪.

The installation position is as shown in the figure below.

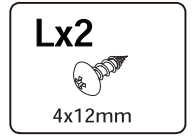
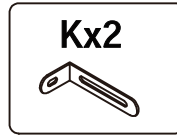
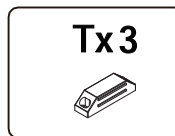
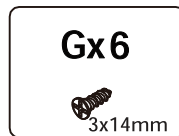


After adjusting the pad (J) on the middle leg, please ensure that it is firmly grounded to prevent any potential dresser collapse caused by hanging.

Step 7

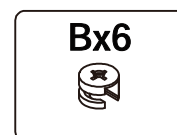
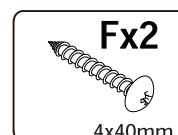
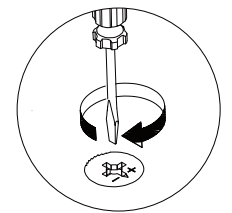
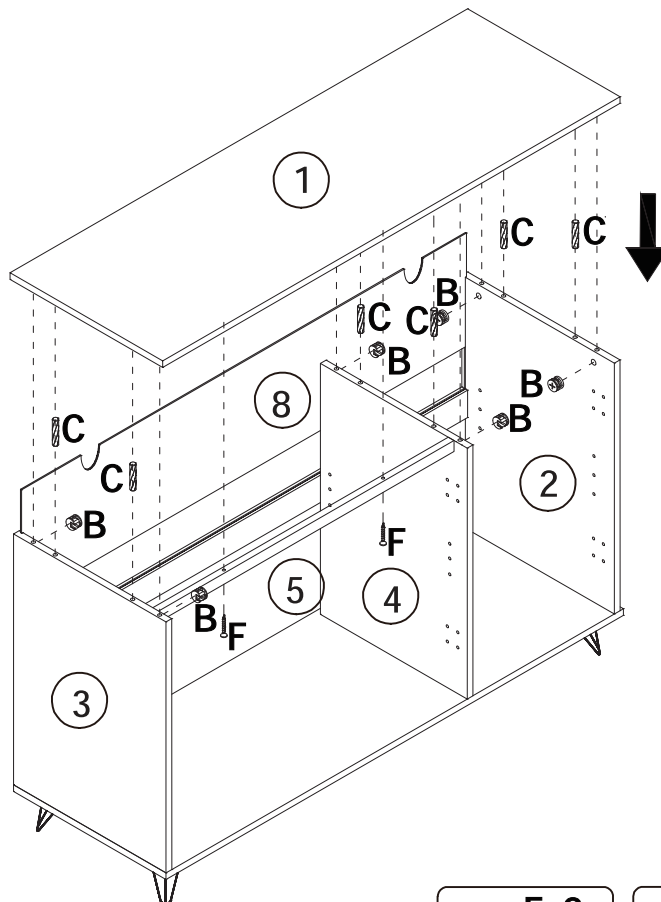


Lock the screw (A) to part① first, then install the anti-tipping devices (K) to the part① with screw(L). Use the screw (G) to lock the magnetic touch(T) to the part①. The installation position is as shown below.

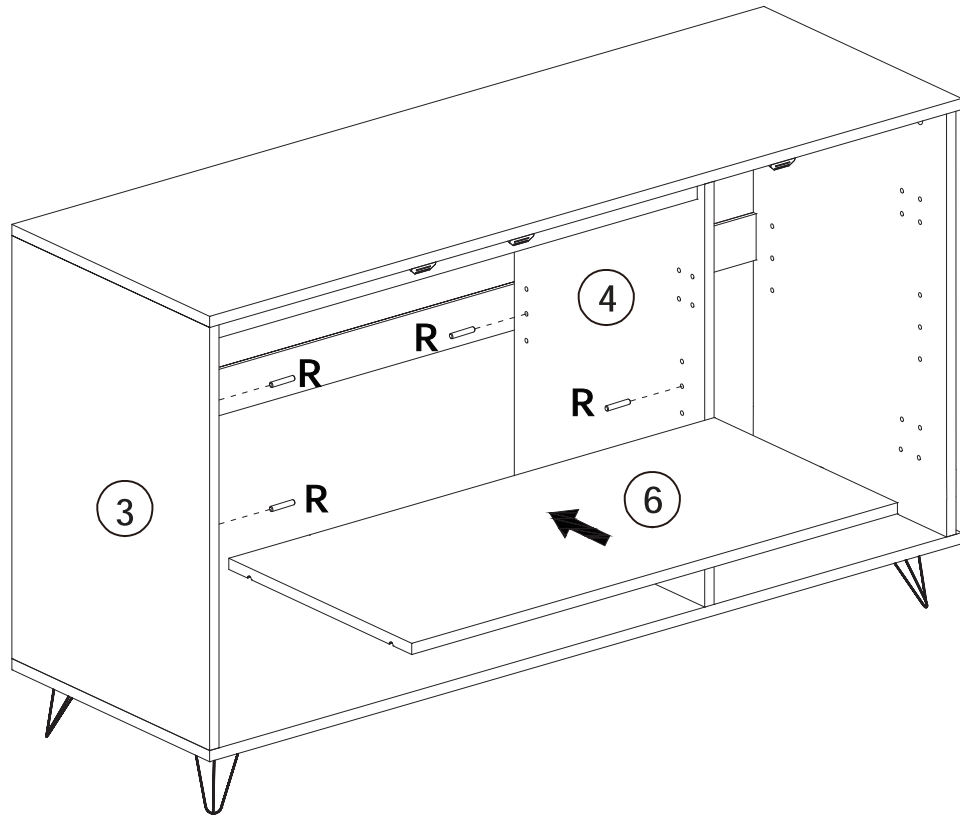


Step 8

Insert part⑧ along the slot first. Then insert the dowel (C) into parts②③④, attach part① to assembled unit with eccentric (B), turn it clockwise to tighten. And then use screw(F) to attach part① and part⑤. The installation position is as shown below.



Step 9

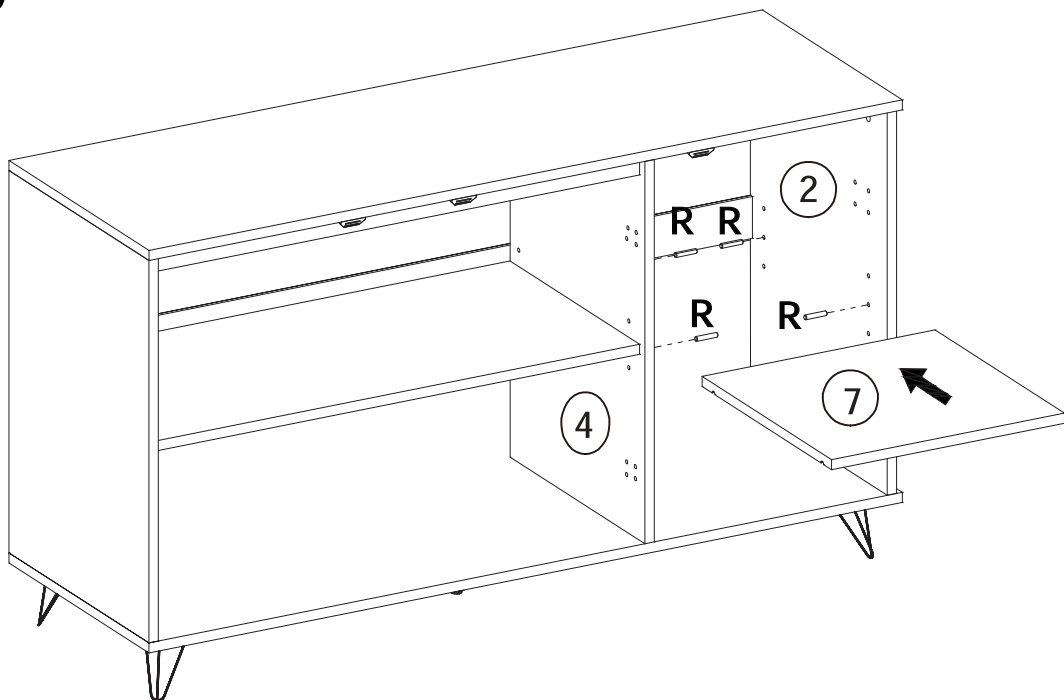


Install the layer support(R) to part③④, as shown.
Then place part⑥ parallel on the left side of the cabinet.

Rx4



Step 10

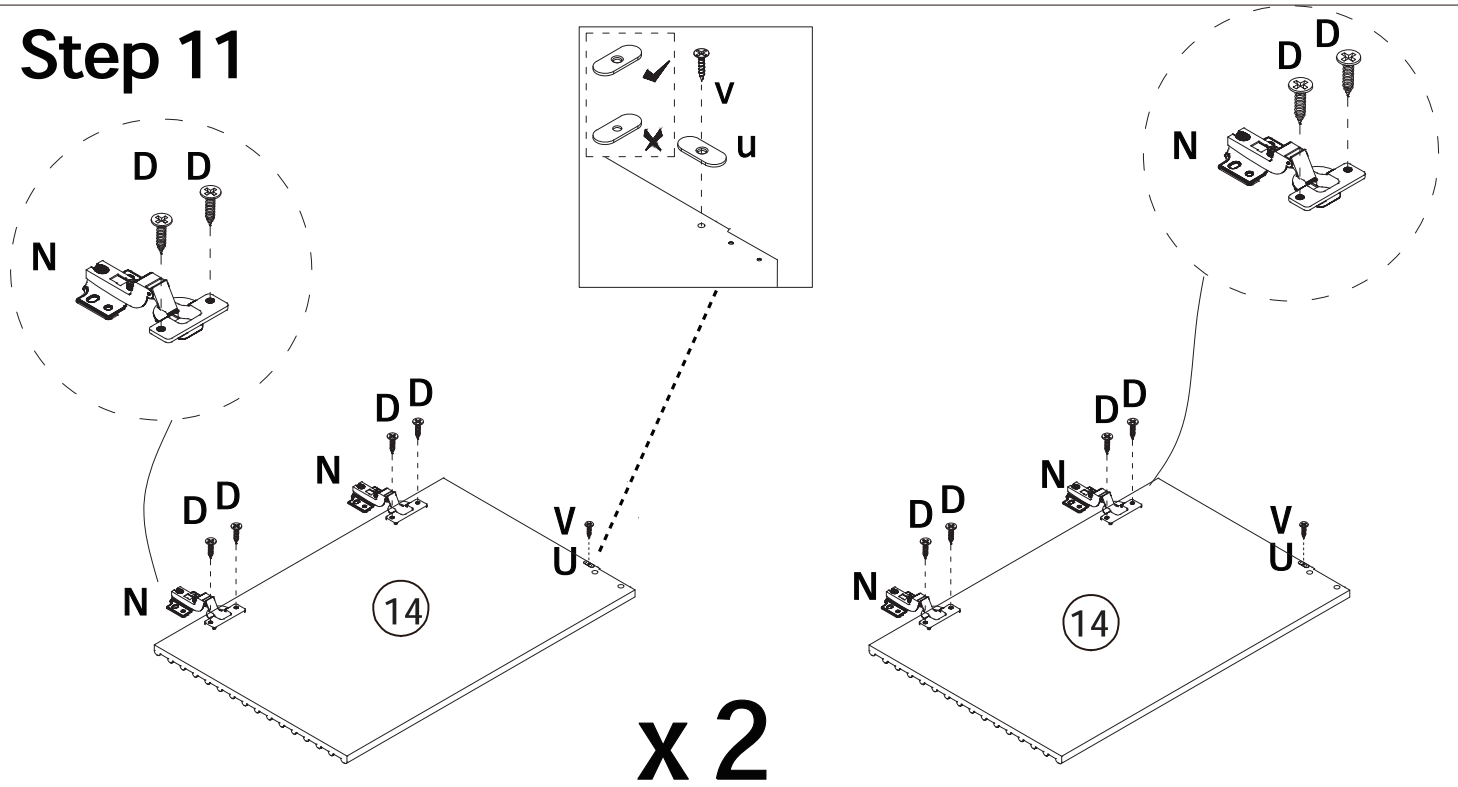


Install the layer support(R) to part②④, as shown. Then place part⑦
parallel on the right side of the cabinet.

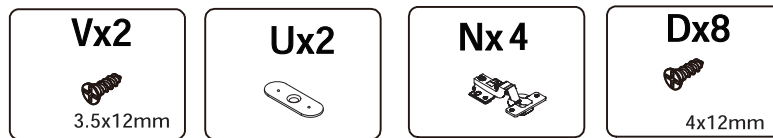
Rx4



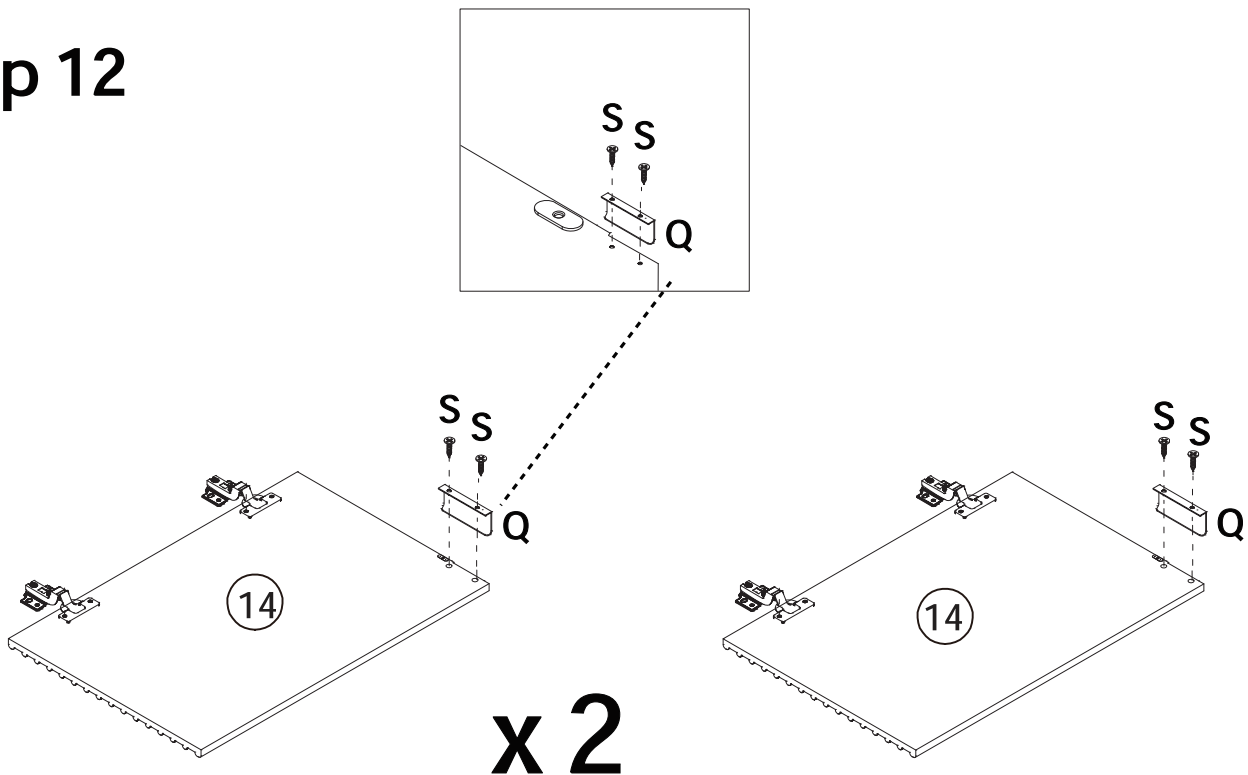
Step 11



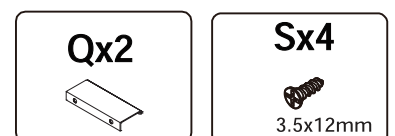
First, use the screw (D) to lock the hinge (N) to part⑭, Then use the screw (V) to lock the iron plate (U). Total 2 sets. The installation position is as shown in the figure below.



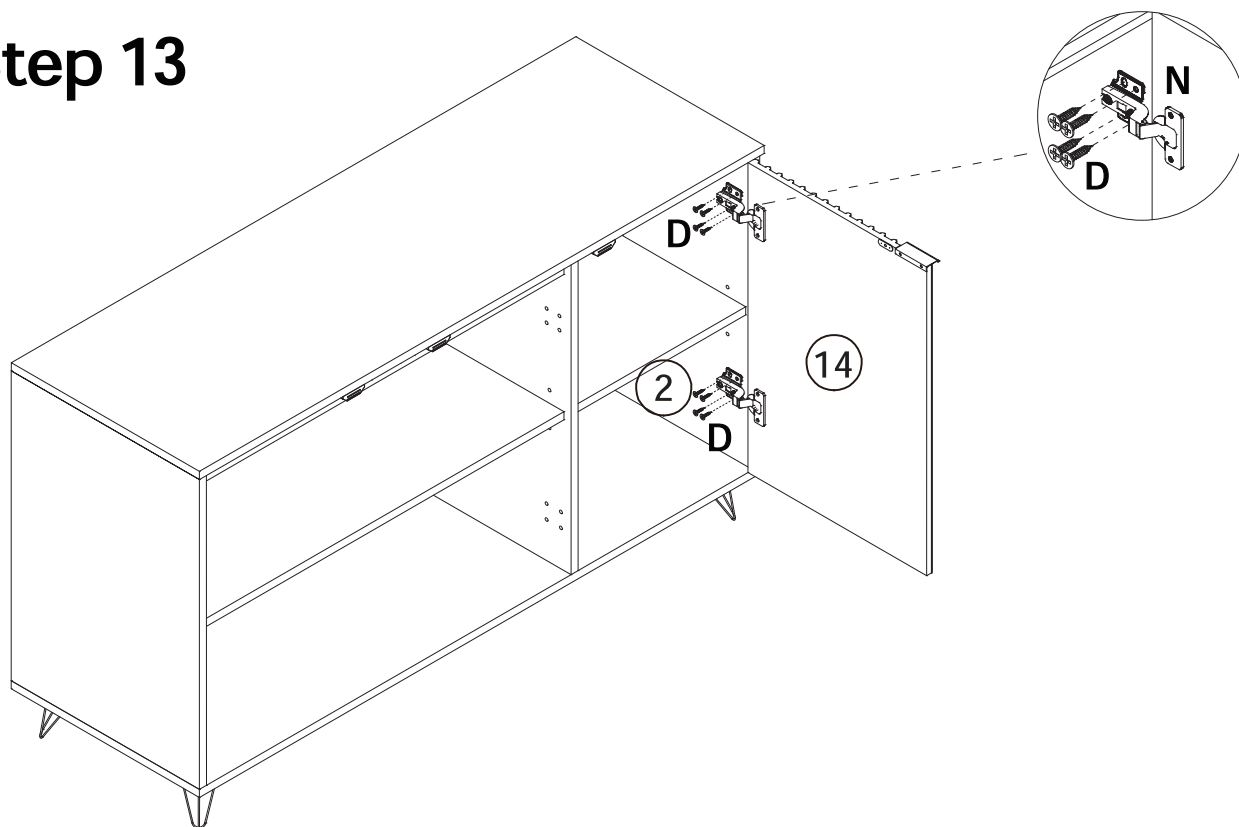
Step 12



Use the screw (S) to lock the handle (Q) on part⑭. Total 2 sets.



Step 13

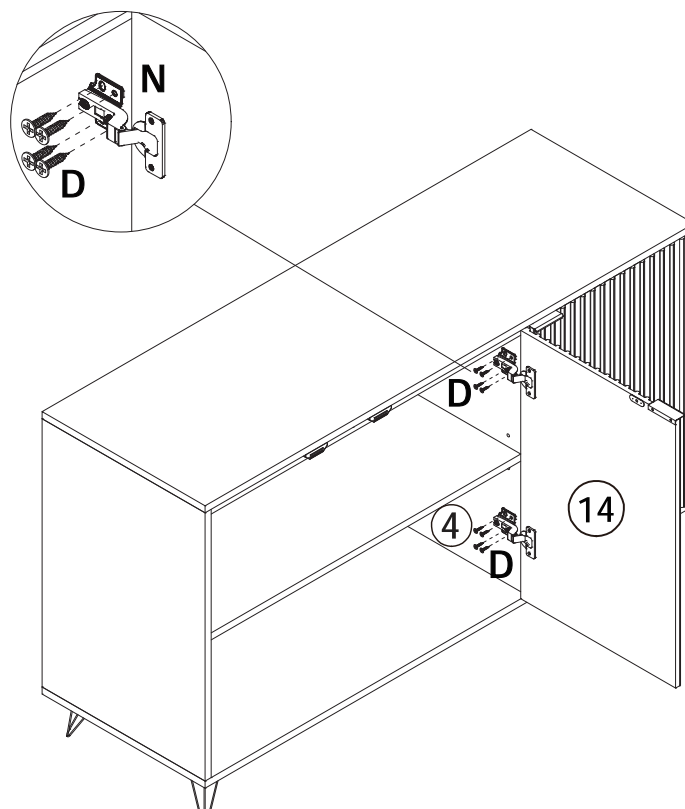


Use the screw(D) to lock the hinge(N) to part②, as shown.



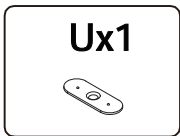
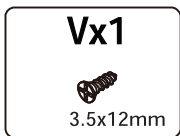
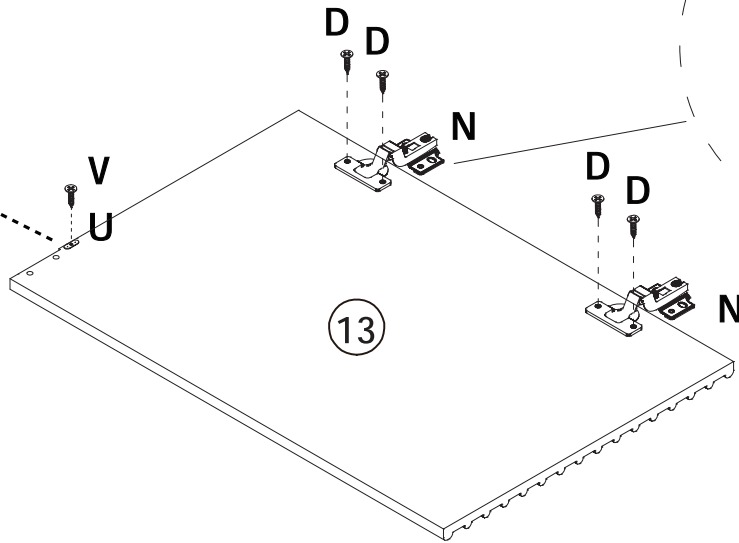
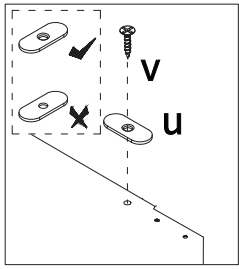
Step 14

Use the screw(D) to lock the hinge(N) to part④, as shown.



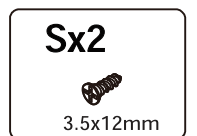
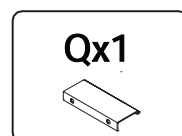
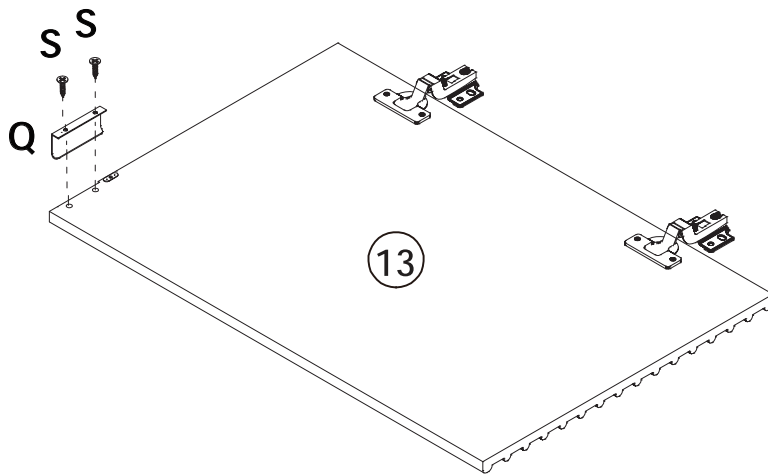
Step 15

First, use the screw (D) to lock the hinge (N) to part ⑬, Then use the screw (V) to lock the iron plate (U). The installation position is as shown in the figure below.

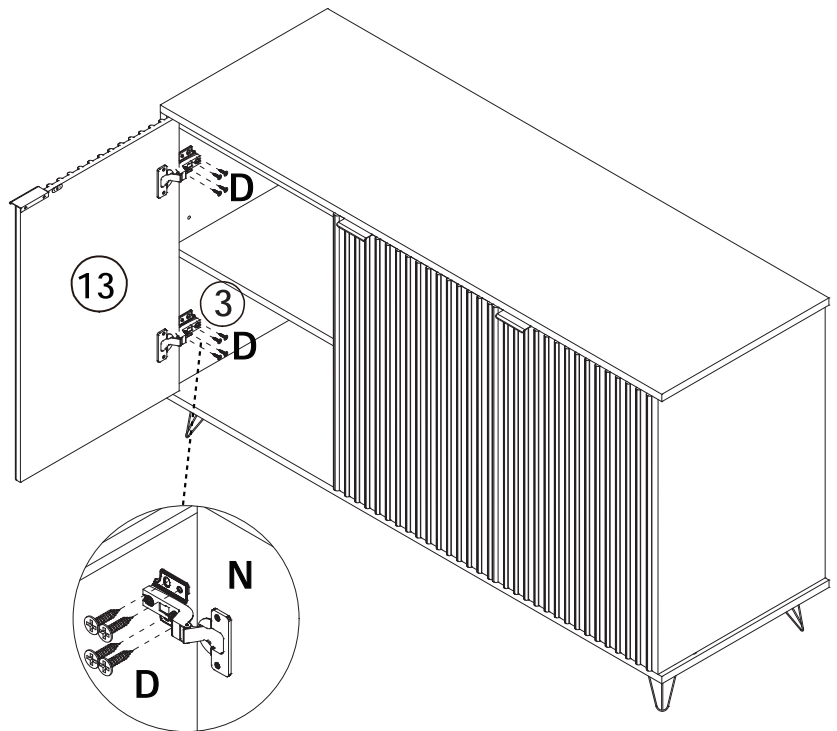


Step 16

Use the screw (S) to lock the handle (Q) on part ⑬.



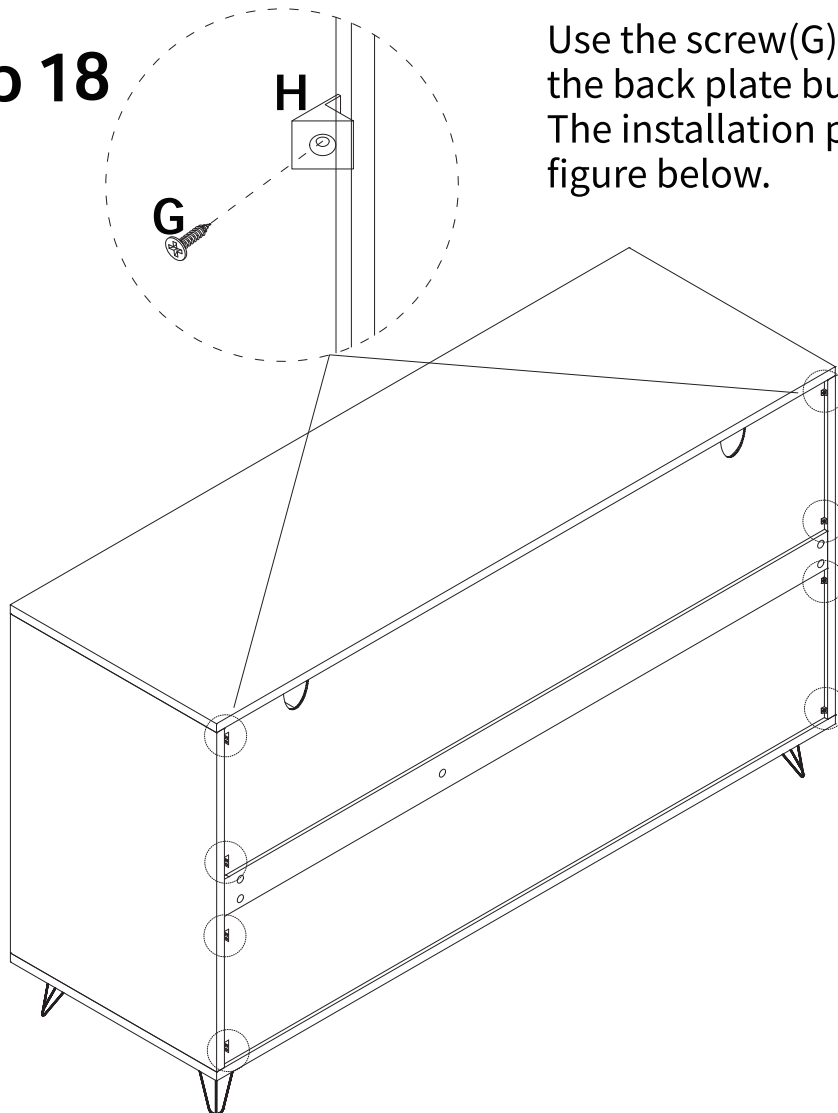
Step 17



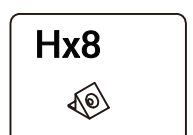
Use the screw(D) to lock the hinge(N) to part③, as shown.



Step 18

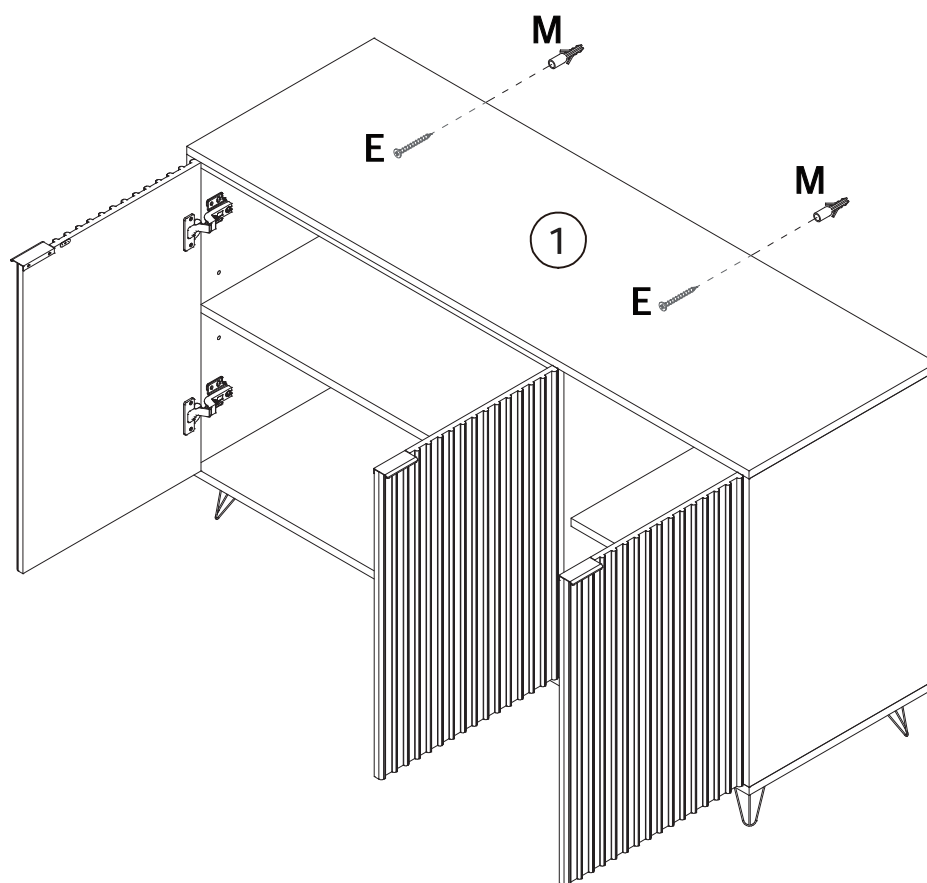


Use the screw(G) in component(H) to fasten the back plate buckle.
The installation position is as shown in the figure below.



Step 19

Drill a small hole in the wall first, then plastic nail (M) into the wall, and then use screws (E) to fix the cabinet to the wall.
The installation position is as shown in the figure below.



Ex2



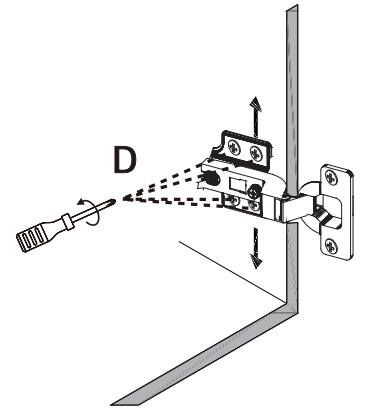
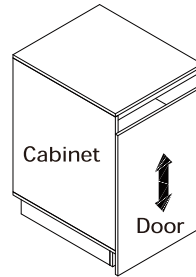
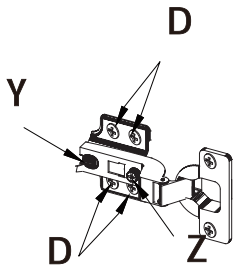
4x40mm

Mx2

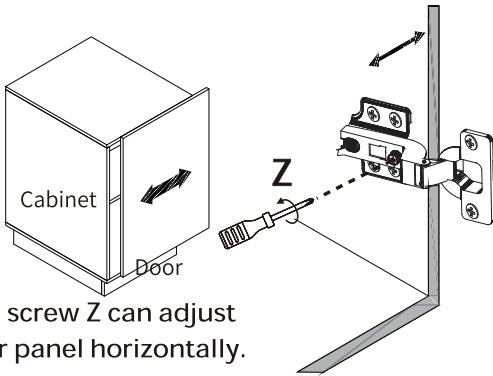


Step 20

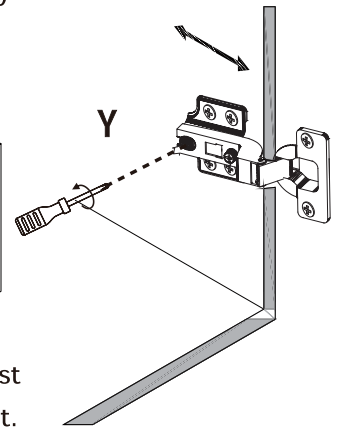
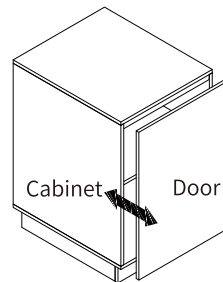
Hinges Adjustment Tips



Loosening screw (D) can adjust the door panel vertically.



Loosening screw Z can adjust the door panel horizontally.



Loosening screw Y can adjust the door panel in-and-out.

