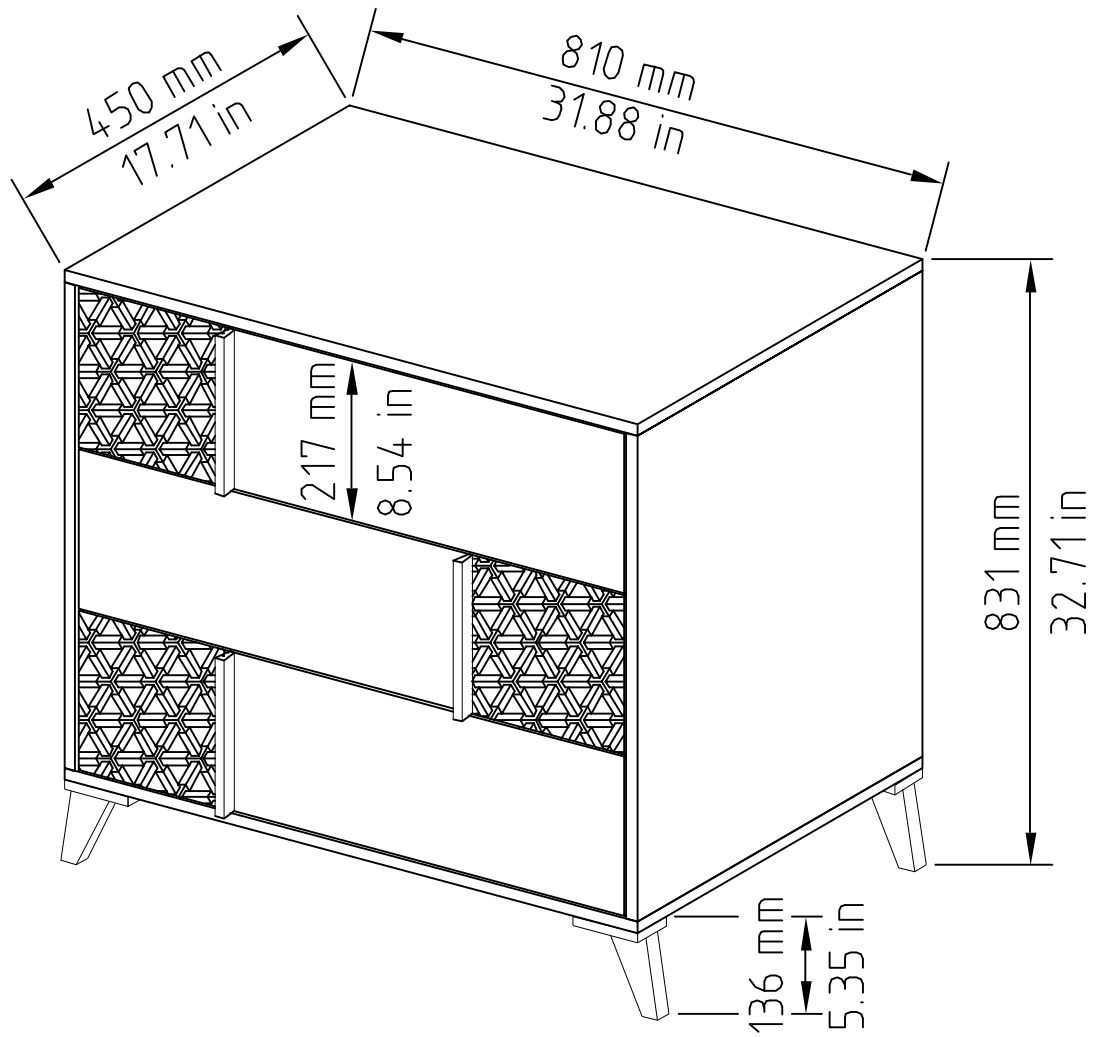
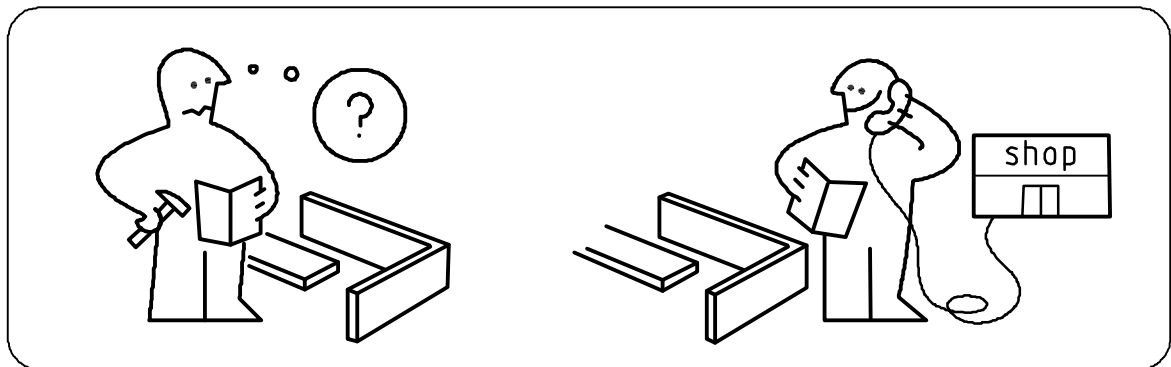
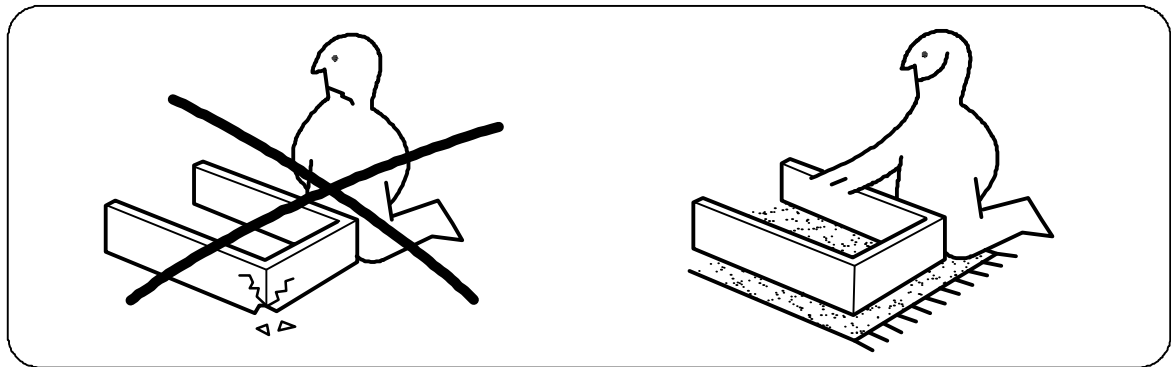
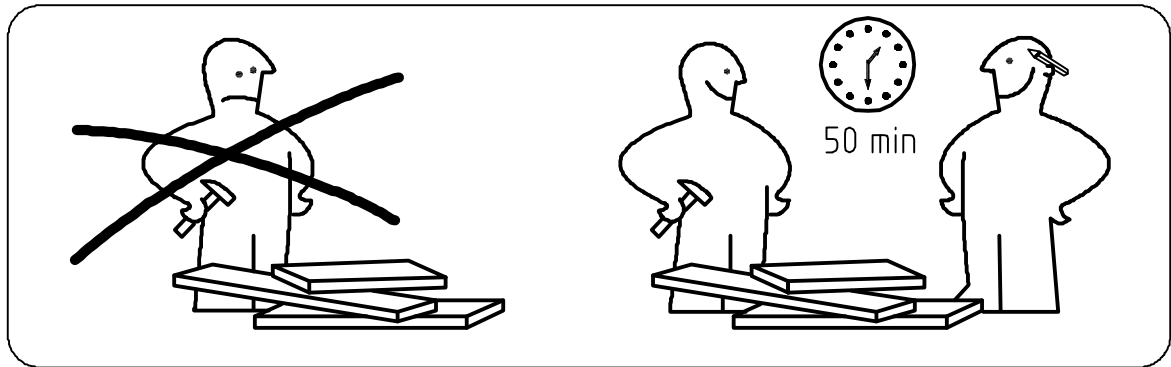
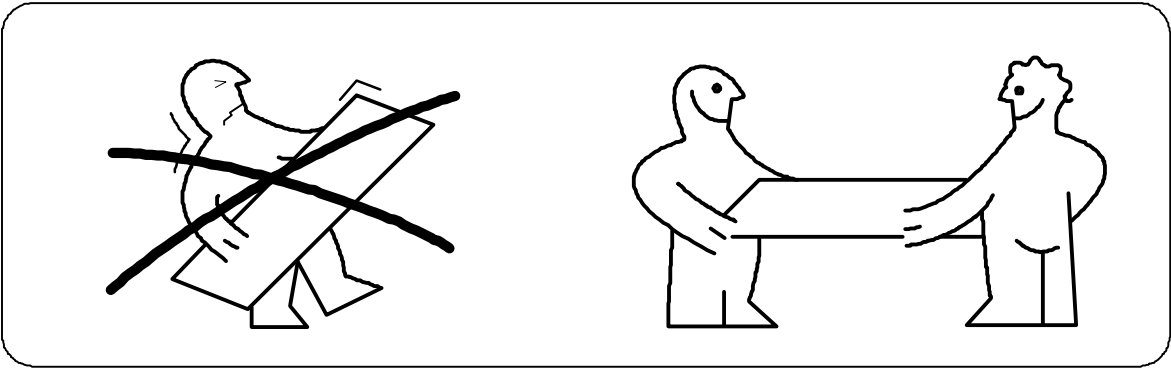
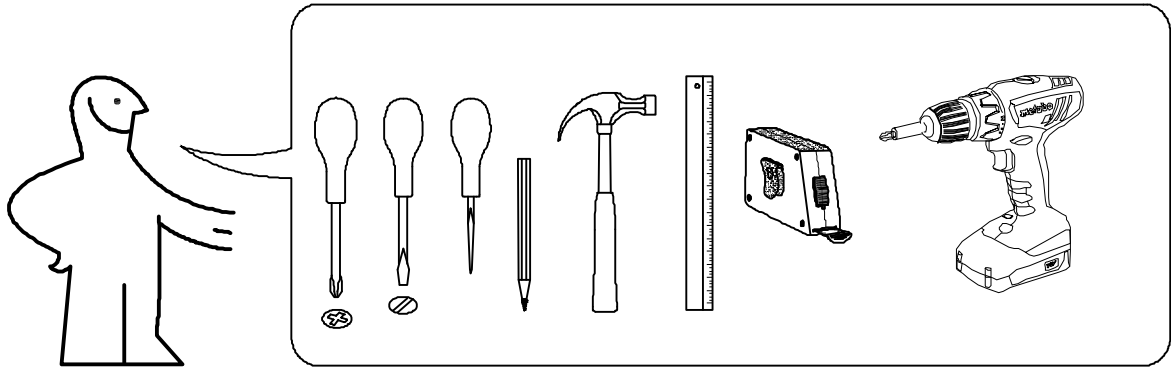

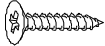
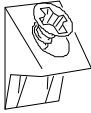
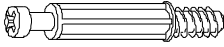
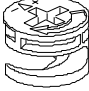
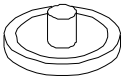



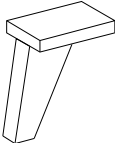
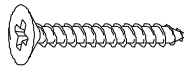



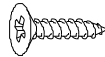
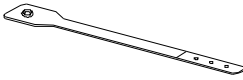
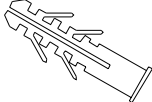

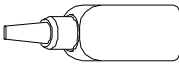
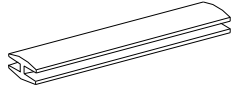


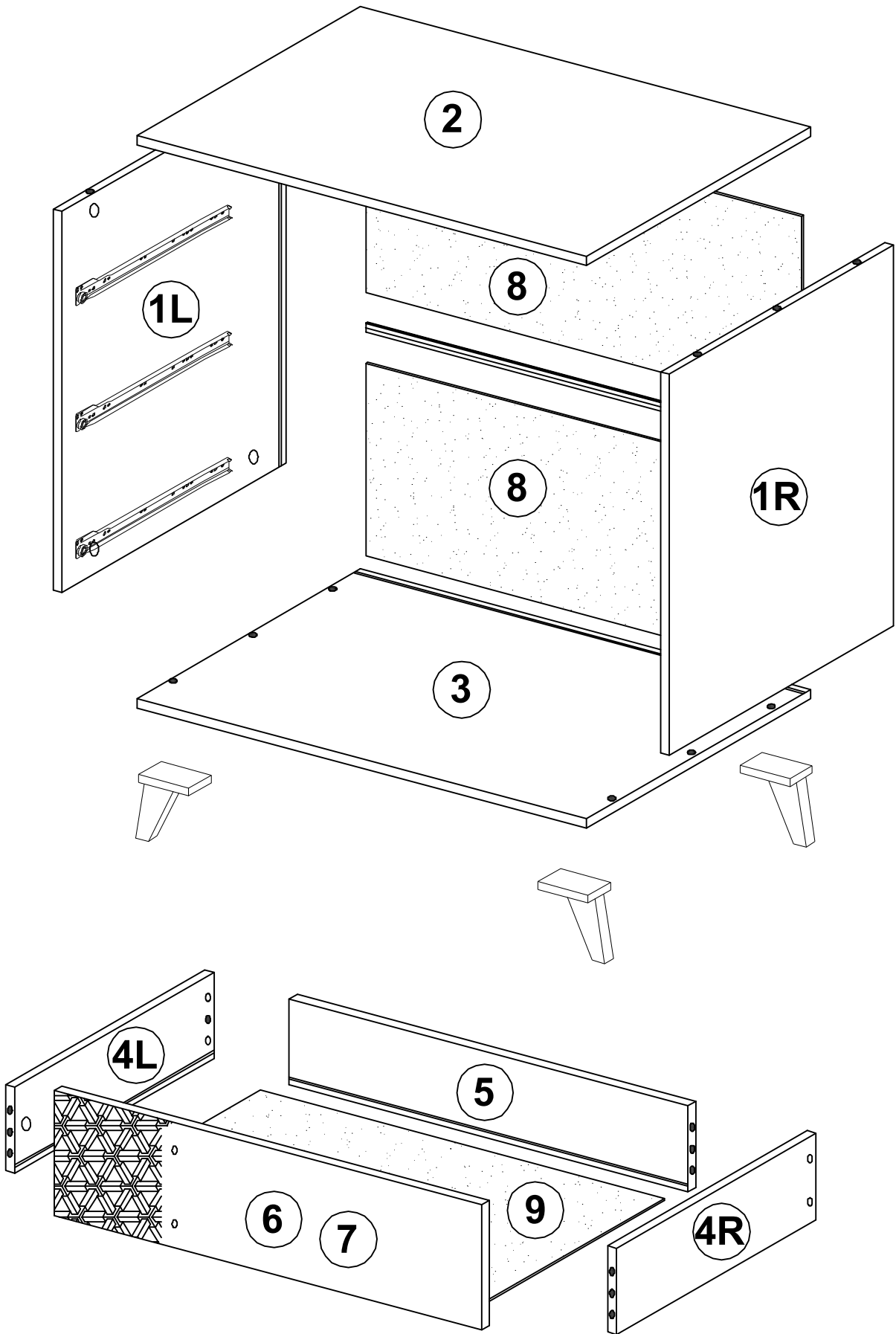
# CHEST OF DRAWERS

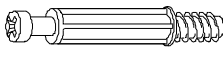

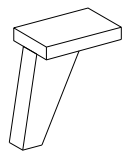






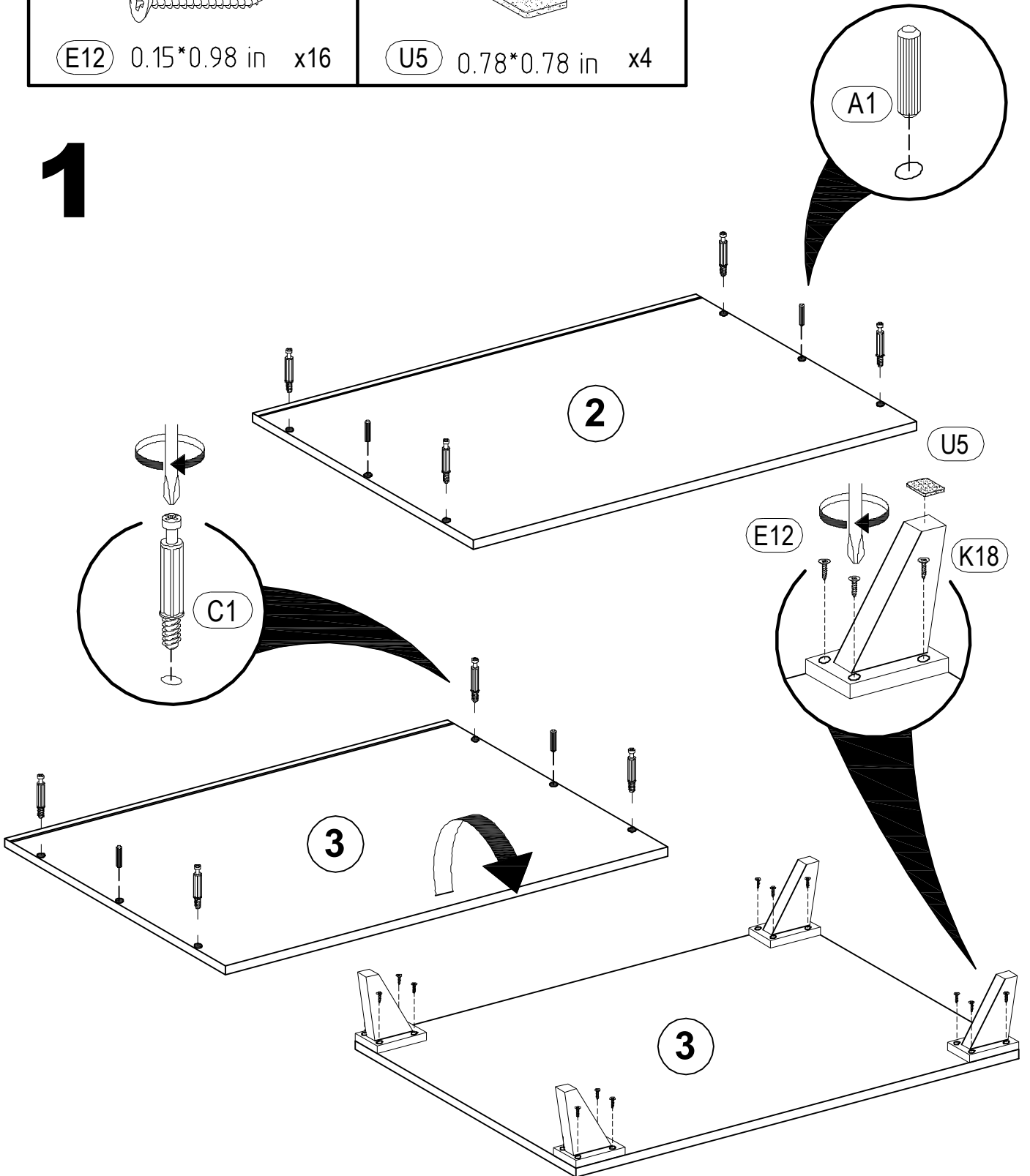
 (M1) L-15.74 in x3	 (E3) 0.11*0.59 in x36	 (H2) x10
 (C1) 0.23*1.69 in x14	 (D1) 0.59 in x14	 (D) x14
 (B1) 0.23*1.96 in x12	 (B) x12	 (A1) 0.31*1.18 in x22
 (K18) x4	 (E12) 0.15*0.98 in x22	 (U5) 0.78*0.78 in x4
 (R4) N°4 x1	 (M4) L-15.07 in x3	 (E5) 0.11*0.62 in x9
 (H7) x1	 (H5) 0.31*1.57 in x1	 (E17) 0.15*1.61 in x1
 (R1) x1	 (P10) L-30.47 in x1	




No	a*b	x	No	a*b	x
1	26.10x17.71 in	2	6	30.31x8.54 in	2
2	31.88x17.71 in	1	7	30.31x8.54 in	1
3	31.88x17.71 in	1	8	30.90x13.22 in	2
4	15.74x5.90 in	6	9	28.62x15.47 in	3
5	28.26x5.90 in	3	10		



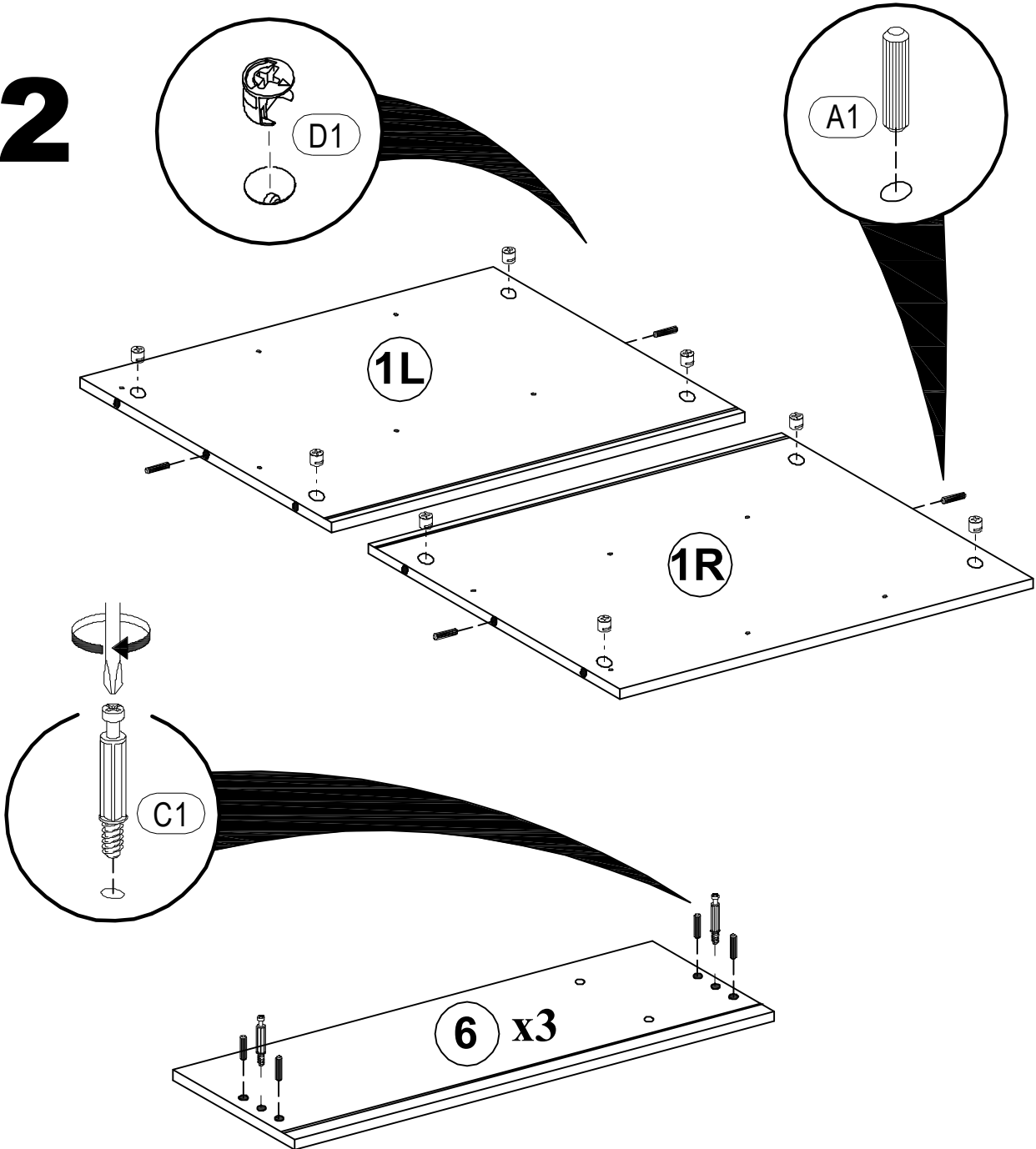
 <b>(C1)</b> 0.23*1.69 in x8	 <b>(A1)</b> 0.31*1.18 in x4	 <b>(K18)</b> x4
 <b>(E12)</b> 0.15*0.98 in x16	 <b>(U5)</b> 0.78*0.78 in x4	

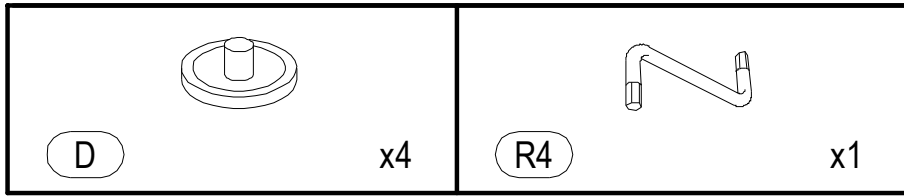
# 1



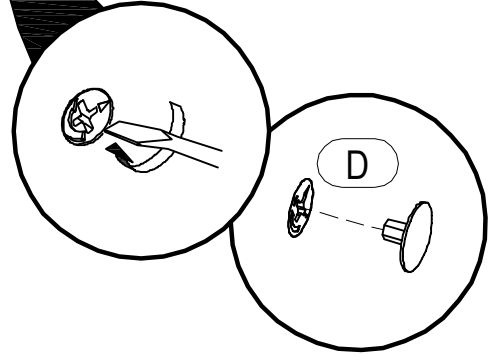
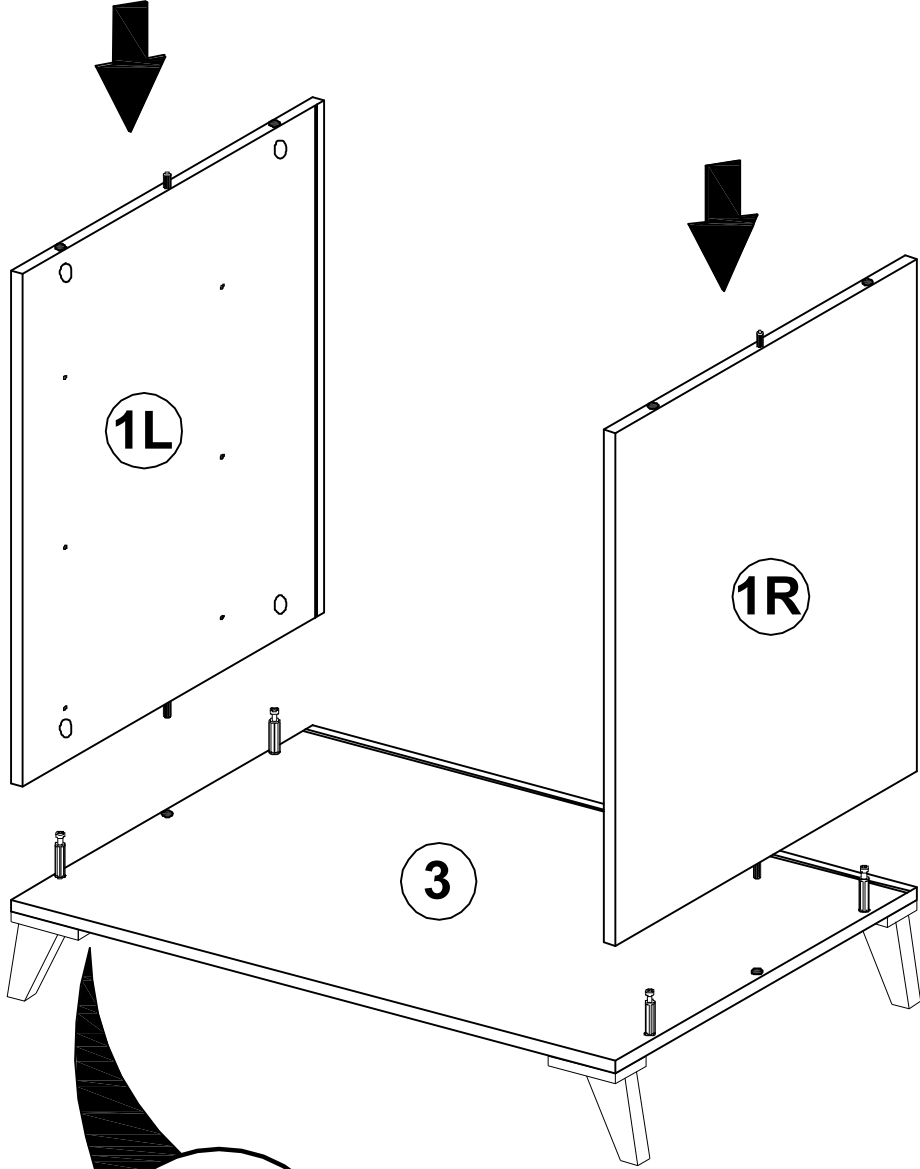
 <b>D1</b> 0.59 in x8	 <b>A1</b> 0.31*1.18 in x16	 <b>C1</b> 0.23*1.69 in x6
---	---	--

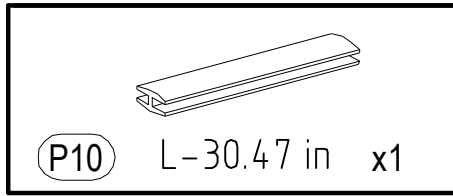
**2**



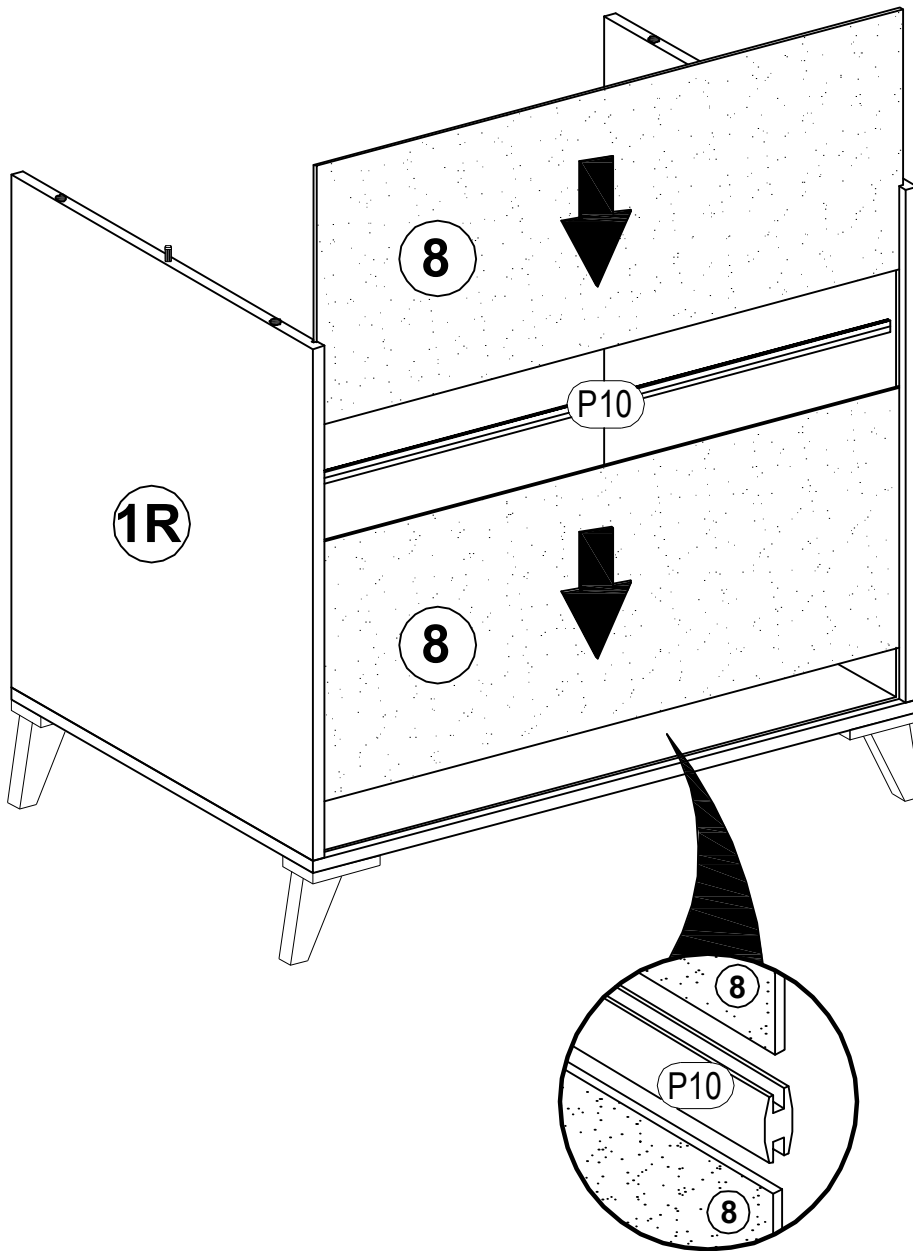


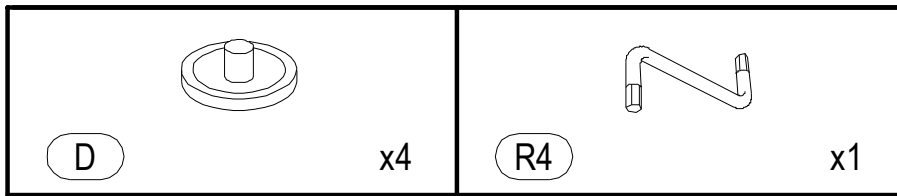
**3**



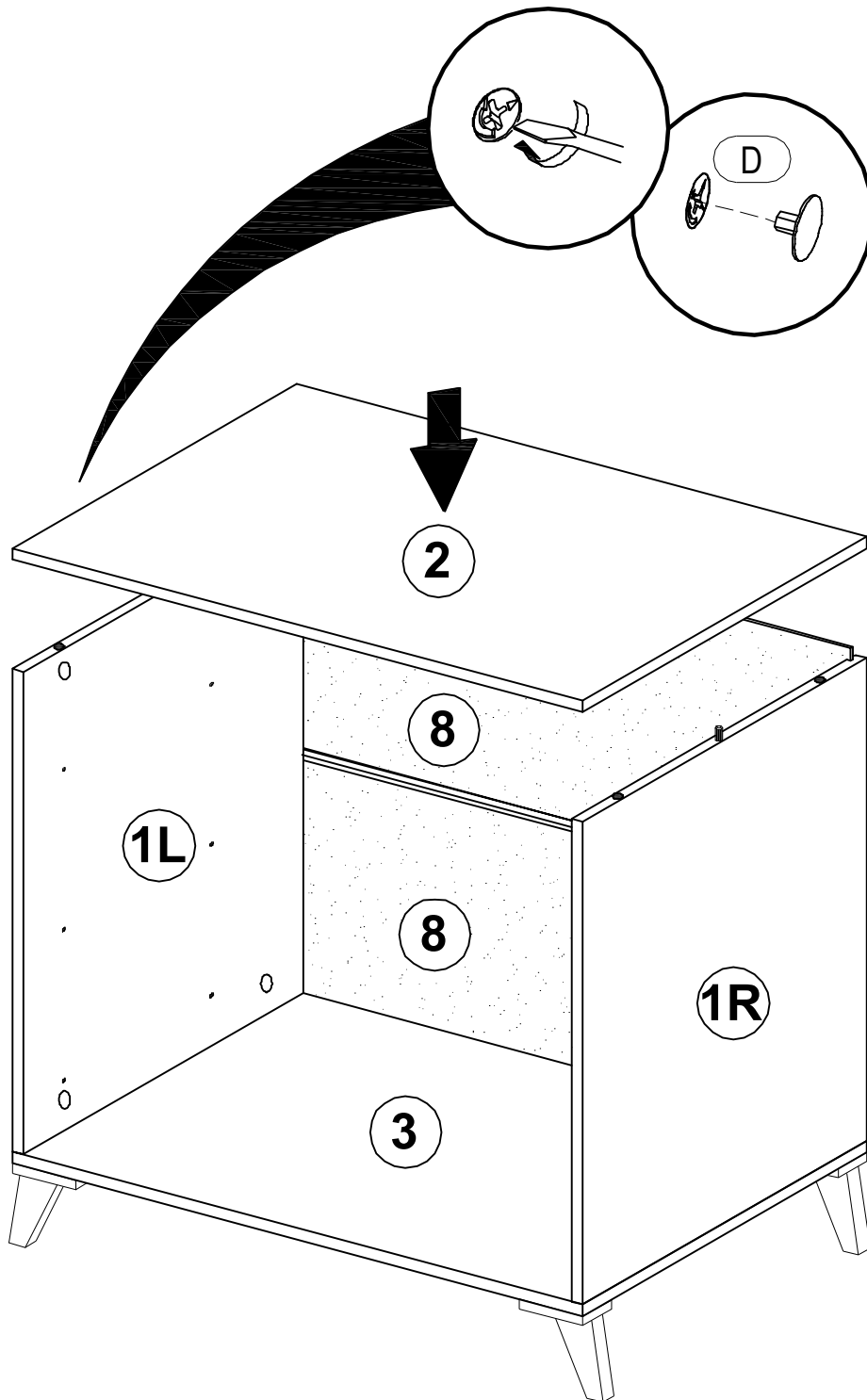


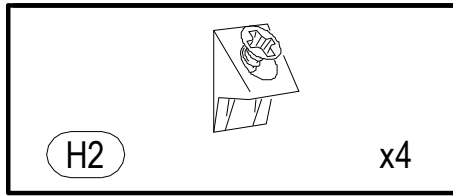
4



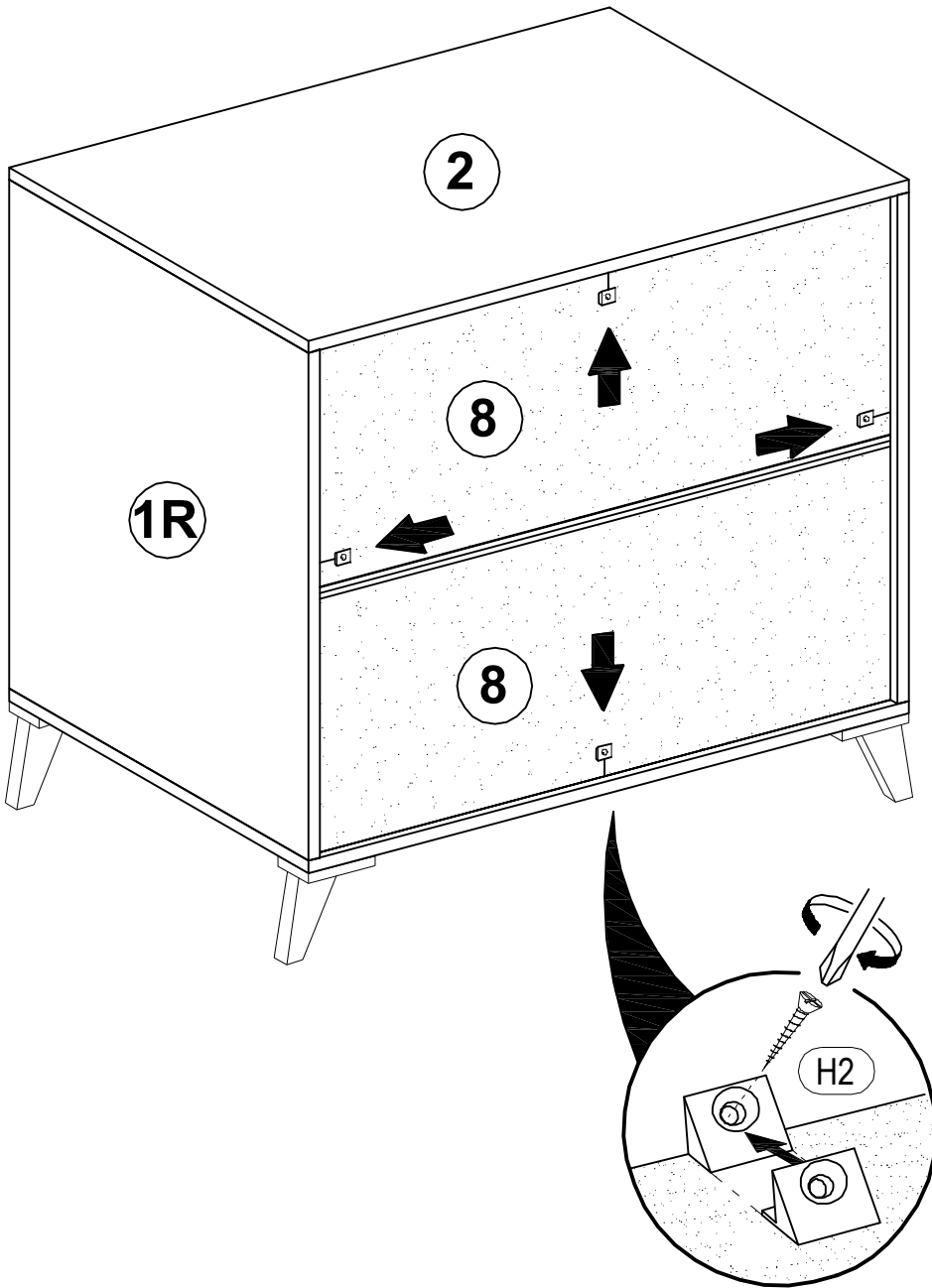


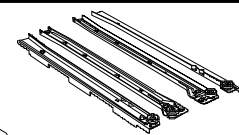

**5**



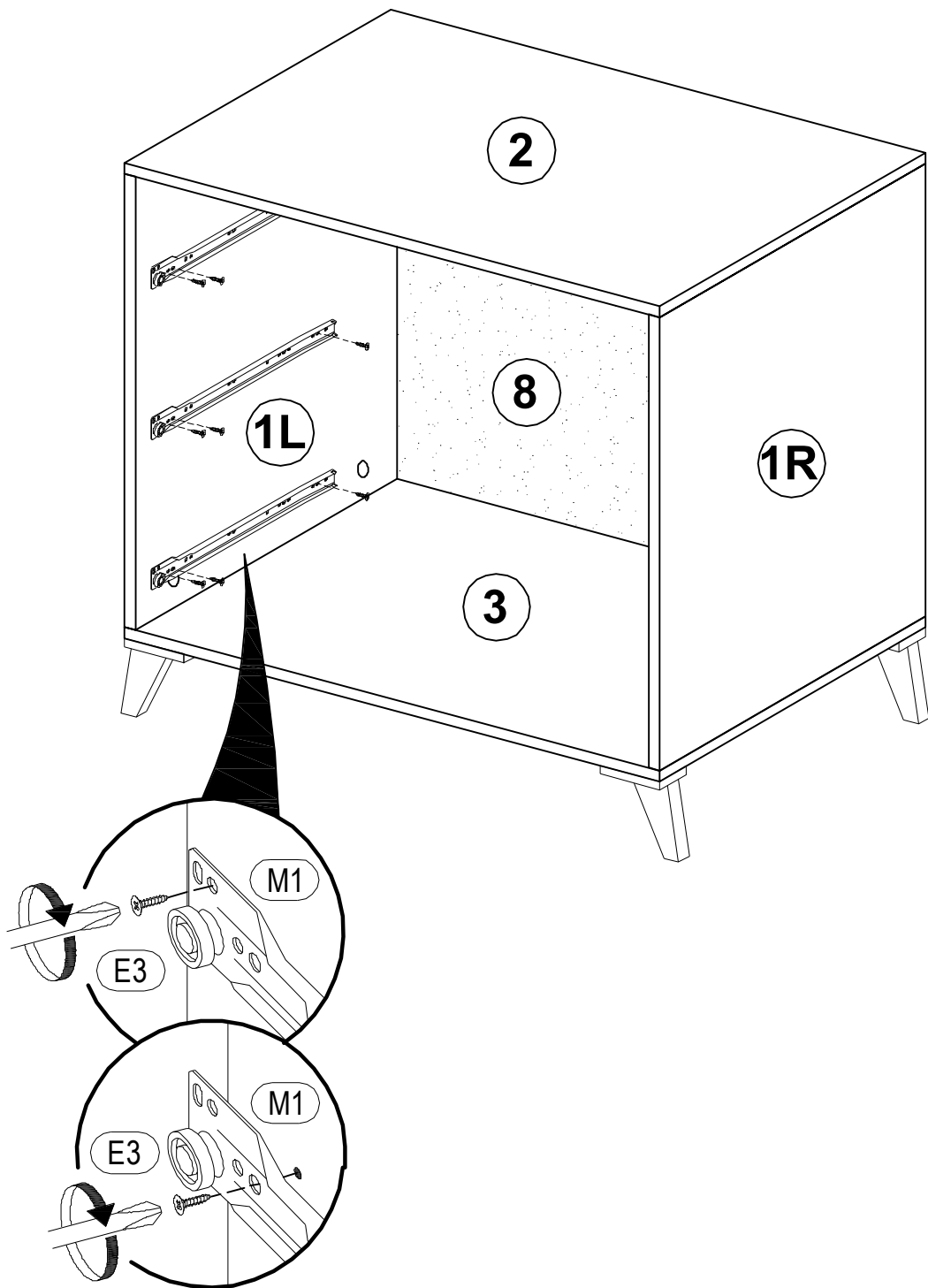



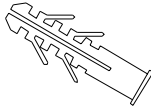
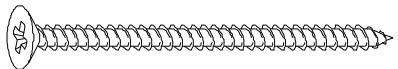
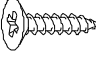
6



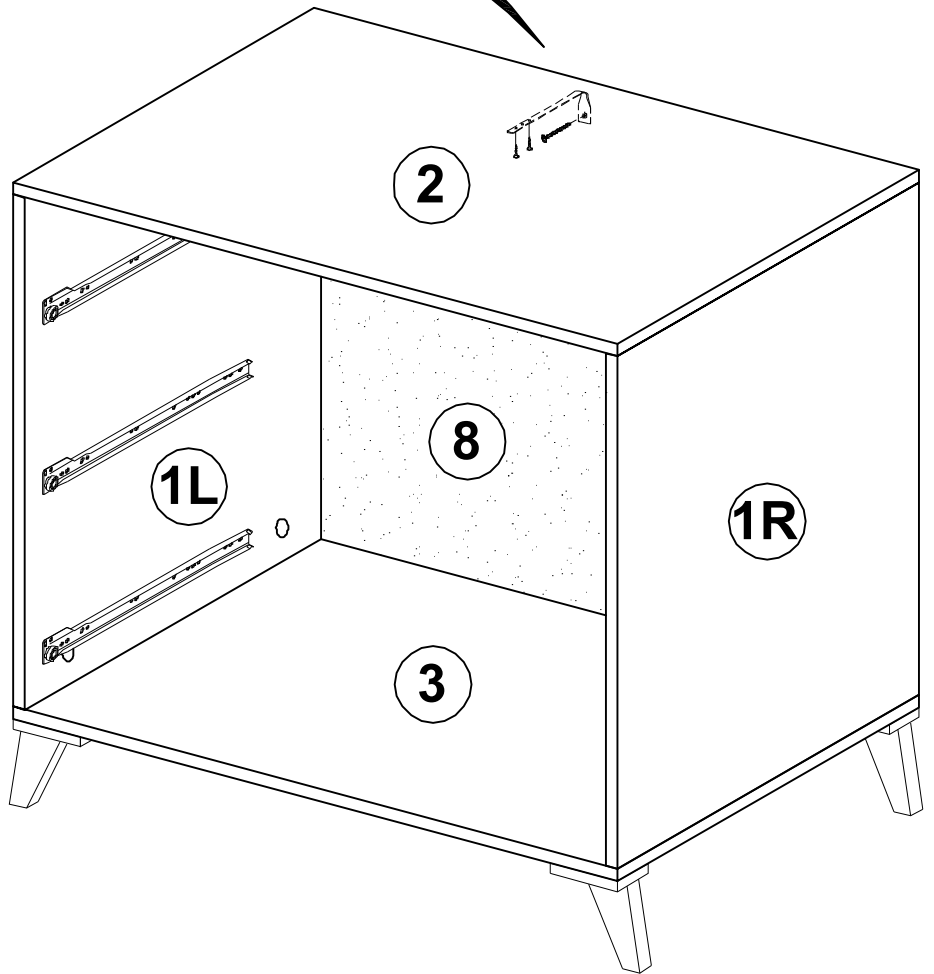
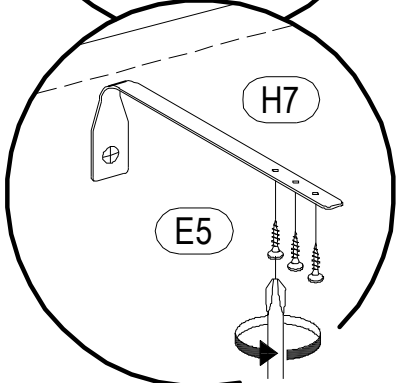
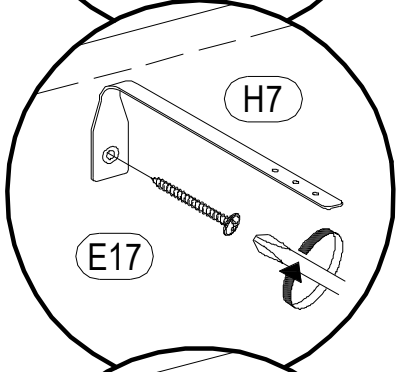
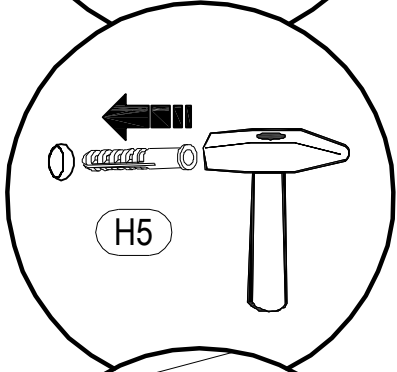
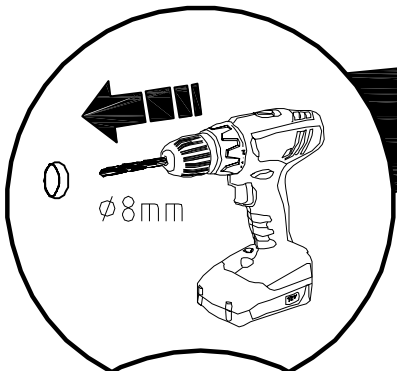
 <p>(M1) L-15.74 in x3</p>	 <p>(E3) 0.11*0.59 in x18</p>
---	---



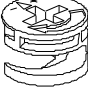


7

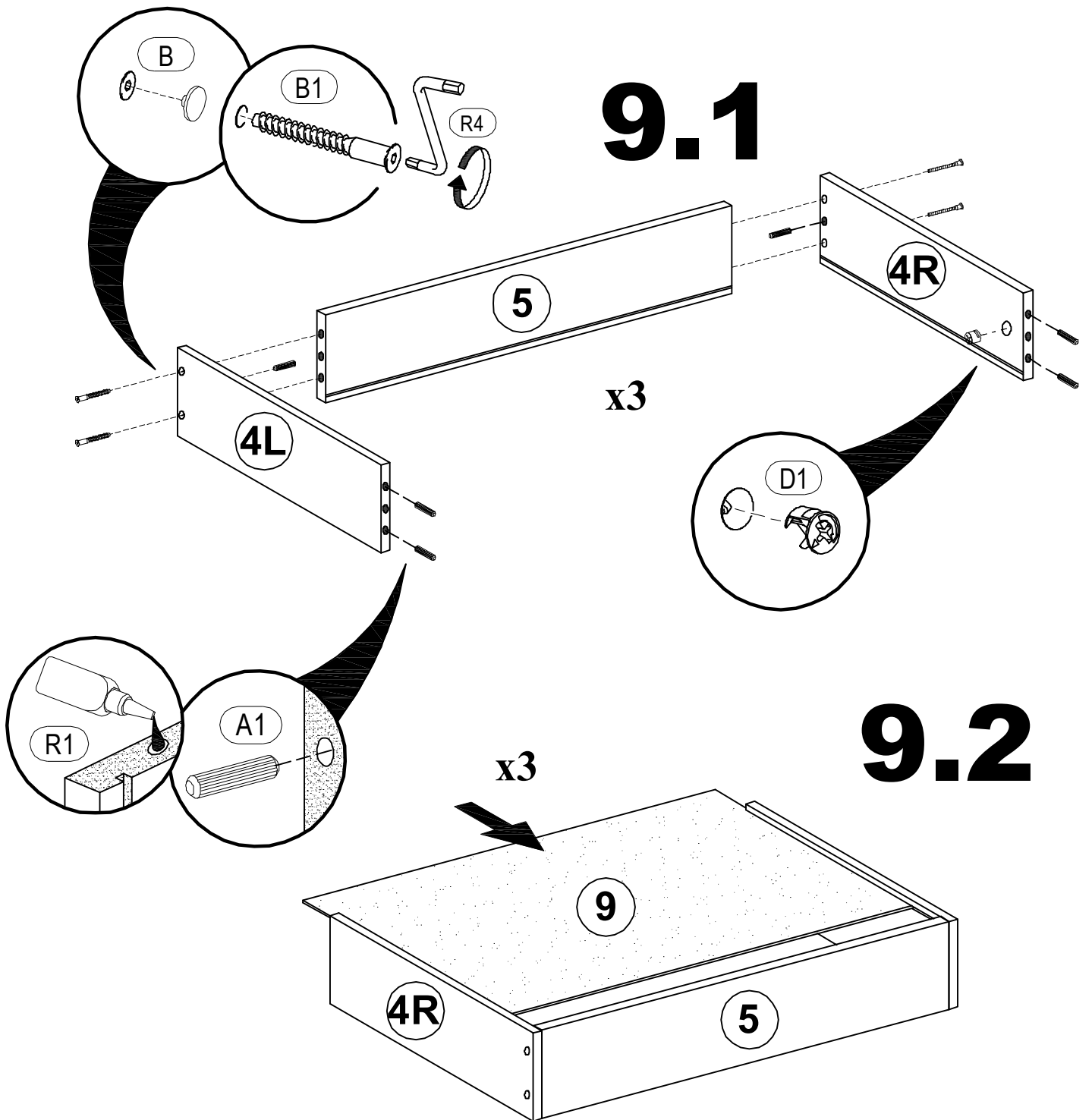


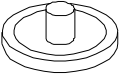
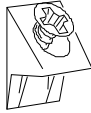
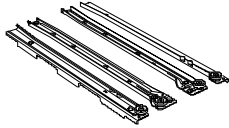


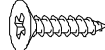
 <b>H7</b> x1	 <b>H5</b> 0.31*1.57 in x1	 <b>E17</b> 0.15*1.61 in x1
 <b>E5</b> 0.11*0.62 in x3		

# 8

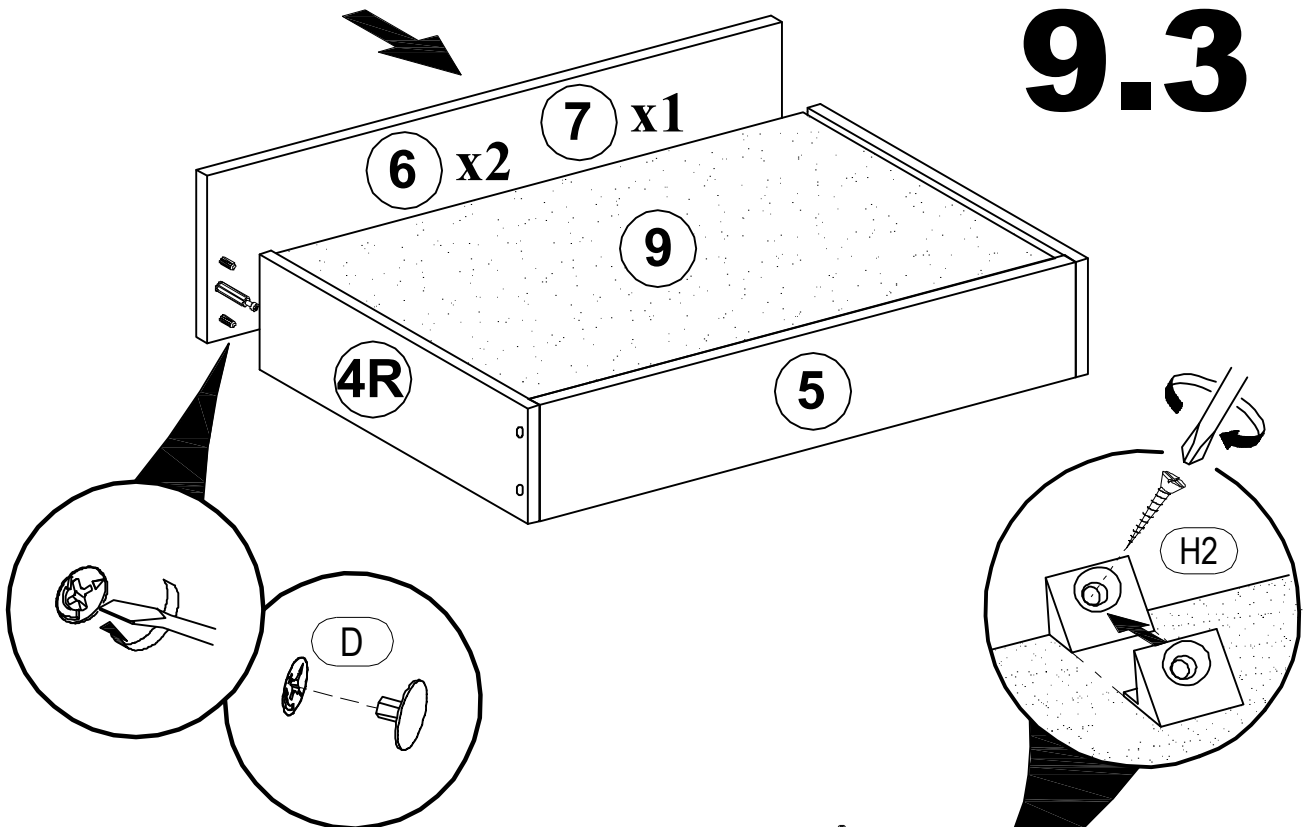


 <b>B1</b> 0.23*1.96 in x12	 <b>B</b> x12	 <b>D1</b> 0.59 in x6
 <b>A1</b> 0.31*1.18 in x18	 <b>R1</b> x1	

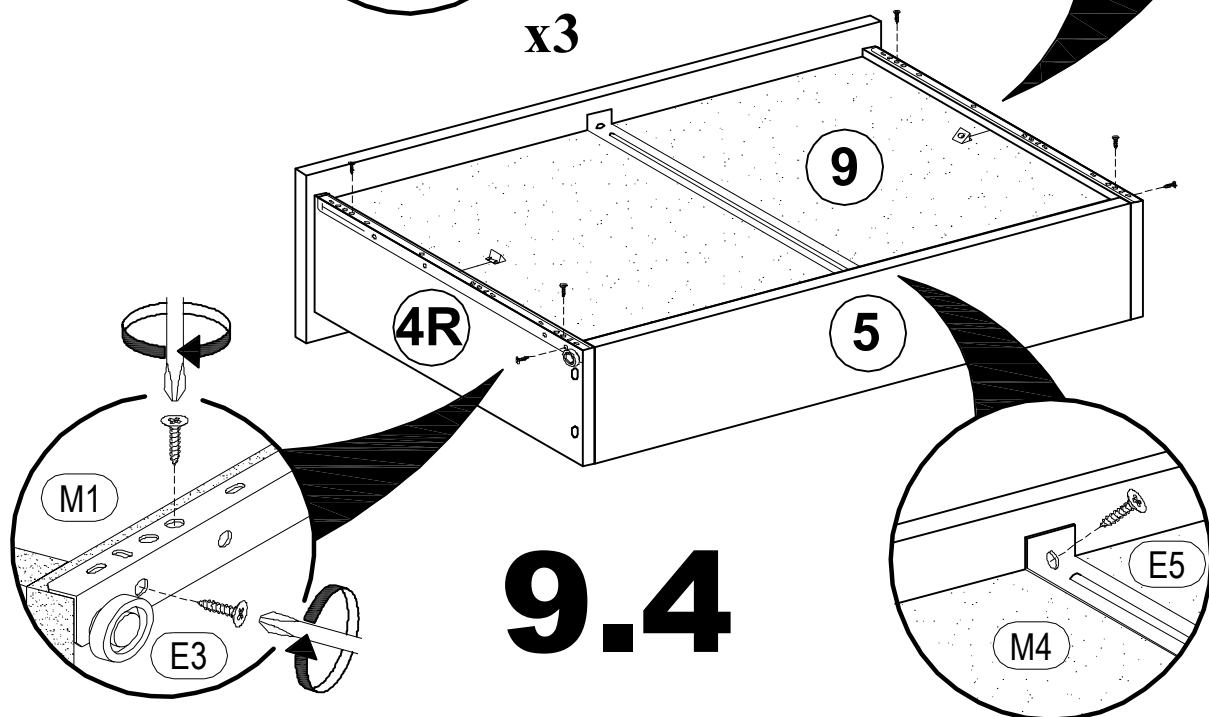


 <b>D</b> x6	 <b>H2</b> x6	 <b>M1</b> L-15.74 in x3
 <b>E3</b> 0.11*0.59 in x18	 <b>M4</b> L-15.07 in x3	 <b>E5</b> 0.11*0.62 in x6

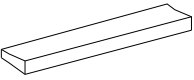
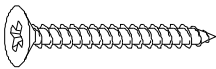
# 9.3



x3



# 9.4

 <p>(I10) x3</p>	 <p>(E12) 0.15*0.98 in x6</p>
---	---

# 10

