

Owner's Manual & Installation Guide

Freestanding Bathtub



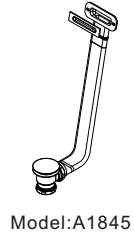
Table of Contents:

1. Installation Guide Applicable Bathtub Models	1
2. Internal Drain Configuration.....	2
3. Internal Drain and Overflow Installation	3-4
4. Bathtub Installation	5
5. Product Care and Maintenance	6

- Please read all instructions carefully before proceeding with installation.
- Due to the complexity of the installation procedure a professional plumber is required.
- Specifications and directions may change without notice.

Installation Guide Applicable Bathtub Models

Drain Models A1845-are used wth below bathtub models

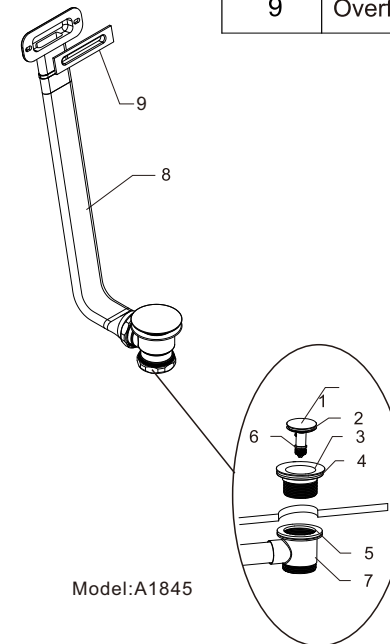


Drain Models A1845-are used wth below bathtub models

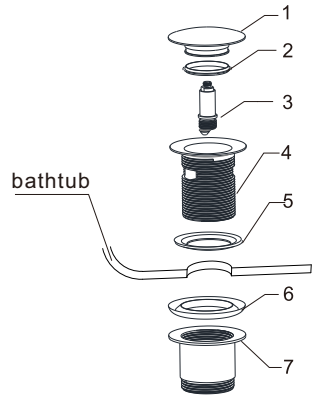


Internal Drain Configuration

No.	ITEM	Qty
1	Pop-up cover	1
2	O ring	1
3	Strainer	1
4	Rubber gasket	1
5	Flat rubber gasket	1
6	Cartridge	1
7	Tee	1
8	Coupling pipe	1
9	Overflow plate	1



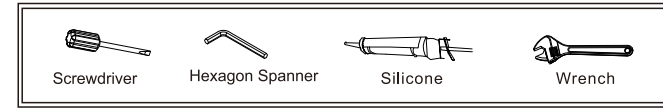
Internal Drain Configuration



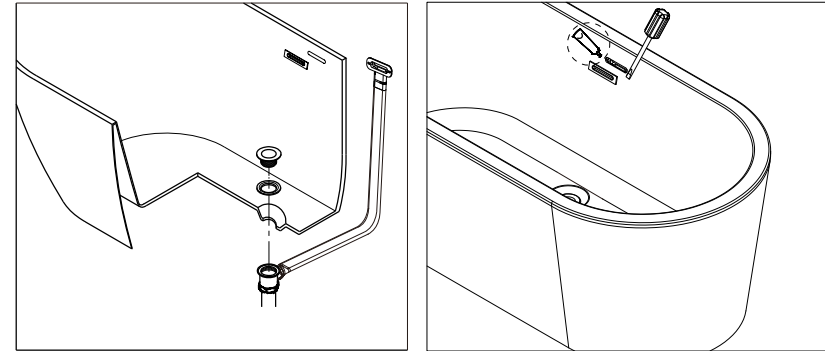
Model:N1606

No.	ITEM	Qty
1	Pop-up cover	1
2	O ring	1
3	Cartridge	1
4	Strainer	1
5	Rubber gasket	1
6	Flat rubber gasket	1
7	Tee	1

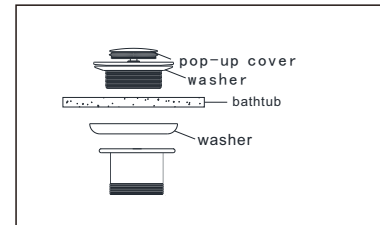
Internal Drain and Overflow Installation



Tools not included



Model:A1845

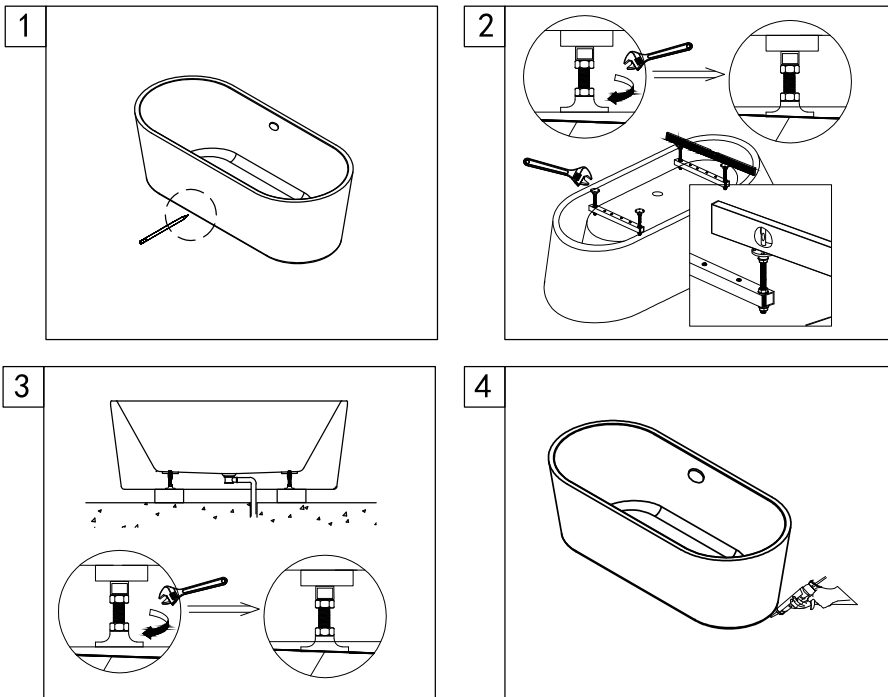
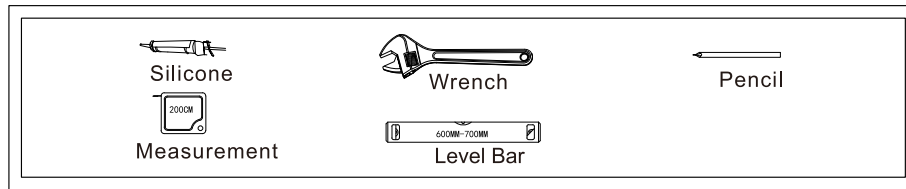


Model:N1606

Note:

If you have any questions, please contact the retailer which you purchased from.

Bathtub Installation



1. Move the bathtub into the desired location and mark on the floor along bathtub's bottom.
2. Set the bathtub upside down on a nonabrasive surface. Loosen the nuts and washers from the metal frame. Adjust the leveling feet to align with bathtub's bottom as well as level the tub with the floor and then tighten the washers and nuts.
3. Move the bathtub back into the desired location and put the drain hose into the floor drain.
4. Apply silicone along the bottom of the bathtub to create airtight seal.

Product Care and Maintenance

- In order to clean the bathtub, please only use soft cotton cloth or soft sponge.
- Never use acidic, alkali, or any products that state on their label that they are not suitable for use on Acrylic, ABS, Polystyrene or Plastic to clean the bathtub.
- To clean inside, fill it with warm water and add a couple of squirts of dish liquid. Allow it to sit for 30 minutes. Let the bathtub drain and wipe away the residue. You can also use cleaning products in aerosol cans or solvents, including acetone to deep clean.
- To remove light marks / scratches apply toothpaste to the area and scrub with soft cloth/sponge.