






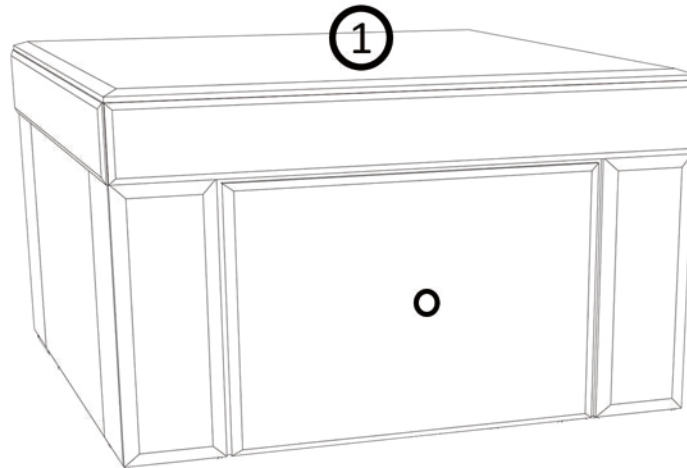


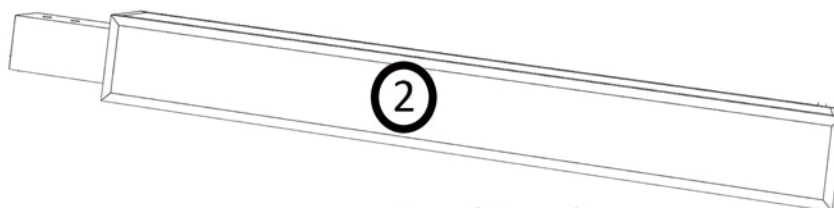
<< Hardware List >>

A 	B 	C 	D 
Bolt (8pcs)	Allen wrench (1pc)	Screw(1pc)	Washer (8pcs)
E 	F 	G 	
Knob (1pc)	Polishing cloth (1pc)	Sleeve(1pc)	

<< Panel List >>



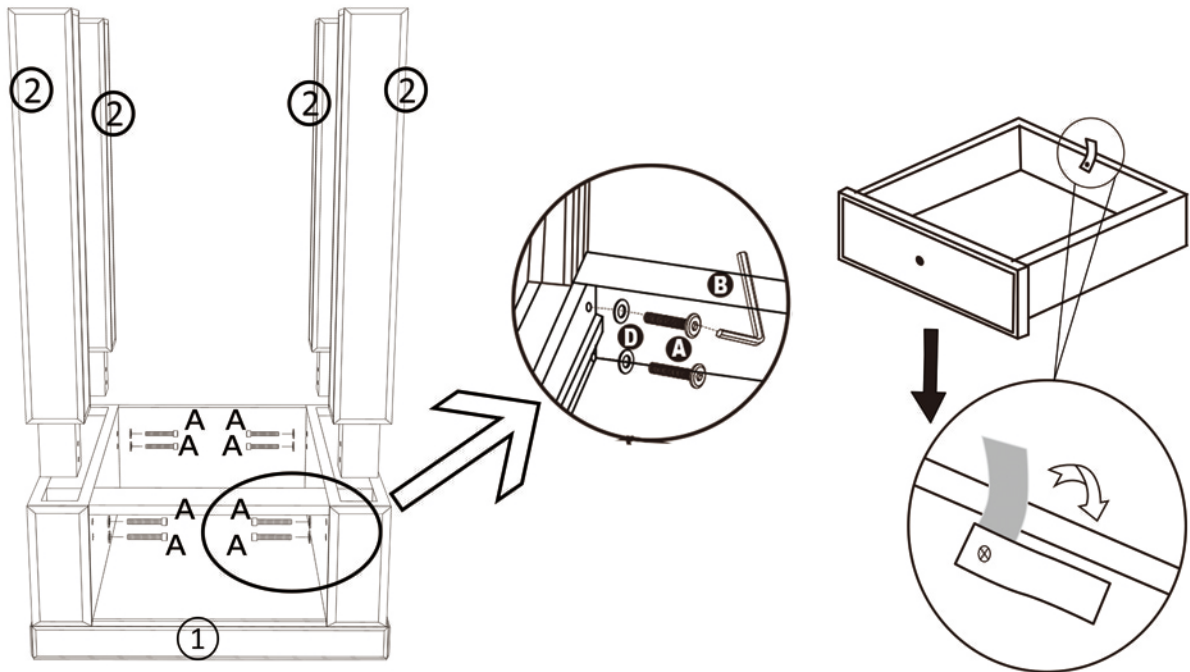
Top panel(1pc)



Leg(4pcs)

Step 1

1. Gently face down the unit on the carpet or soft surface.
2. Remove drawer from top panel ① make sure to move drawer stop, so that drawer can be removed.
3. Connect legs ② to top panel ① using bolts(A), washer(D) and allen wrench(B), as show.



Step 2

1. Remove knob (E) from inside of drawer to outside of drawer using a hand held screwdriver. Screw (C) goes on inside of drawer .
2. Gently reinsert drawer and reposition drawer stop.
3. Please make sure the knob(E) must install with Sleeve(G), to avoid the mirror broken of drawer front.

