



INSTRUCTION MANUAL

EMAIL | patiotimecare@outlook.com

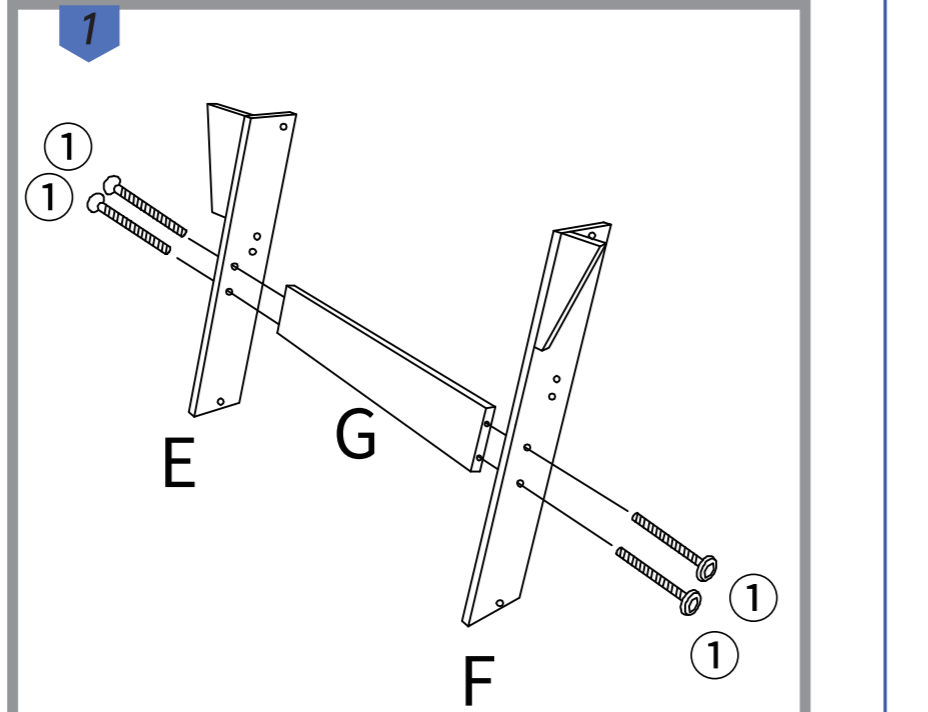
PARTS

A: Chair Seat (1 pc)		B: Chair Backrest (1 pc)	
C: Right Chair Arm (1 pc)	D: Left Chair Arm (1 pc)	E: Right Chair Leg (1 pc)	F: Left Chair Leg (1 pc)
G: Front Rail (1 pc)	H: Locking Block (2 pcs)	I: Back Rail (1 pc)	J: Right Rocking Feet (1 pc)
K: Left Rocking Feet (1 pc)	L: Cup Holder (1 pc)		
①: M6x40mm (5 pc)	②: M6x50mm (8 pc)	③: M6x80mm (4 pc)	④: M6x50mm (4 pc)
6X40mm	6X50mm	6X80mm	6X50mm
TOOLS & MATERIALS NEEDED		⑤: Washer (12 pc)	⑥: Nut (12 pc)
10mm		M6	M6

Please do not over-tighten bolts and screws during assembly

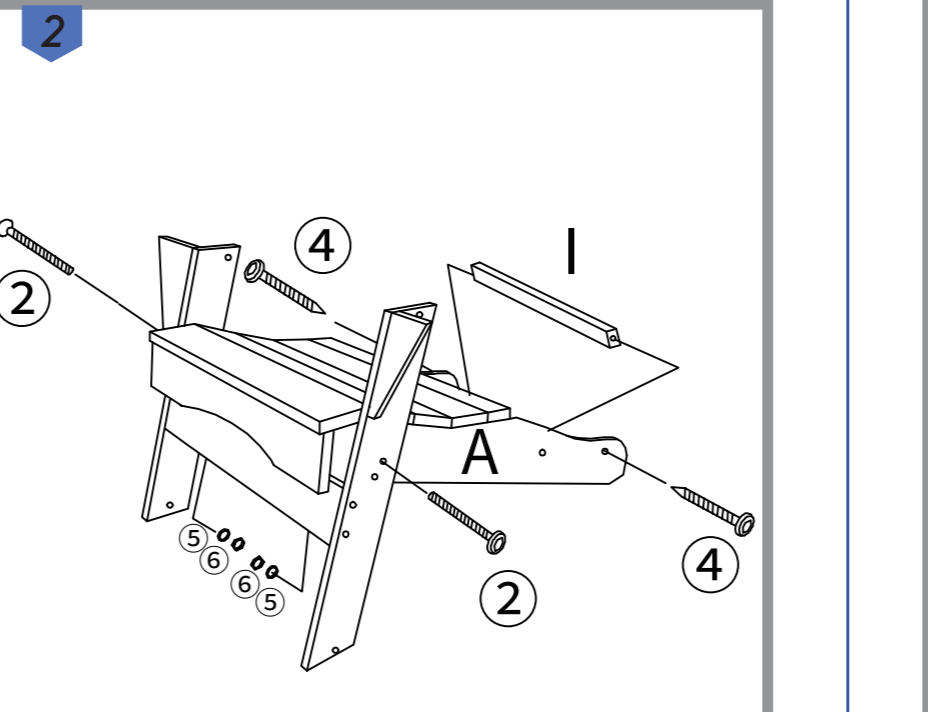
*If you have any issue with our products, such as missing parts, please email: patiotimecare@outlook.com

PRODUCT ASSEMBLY



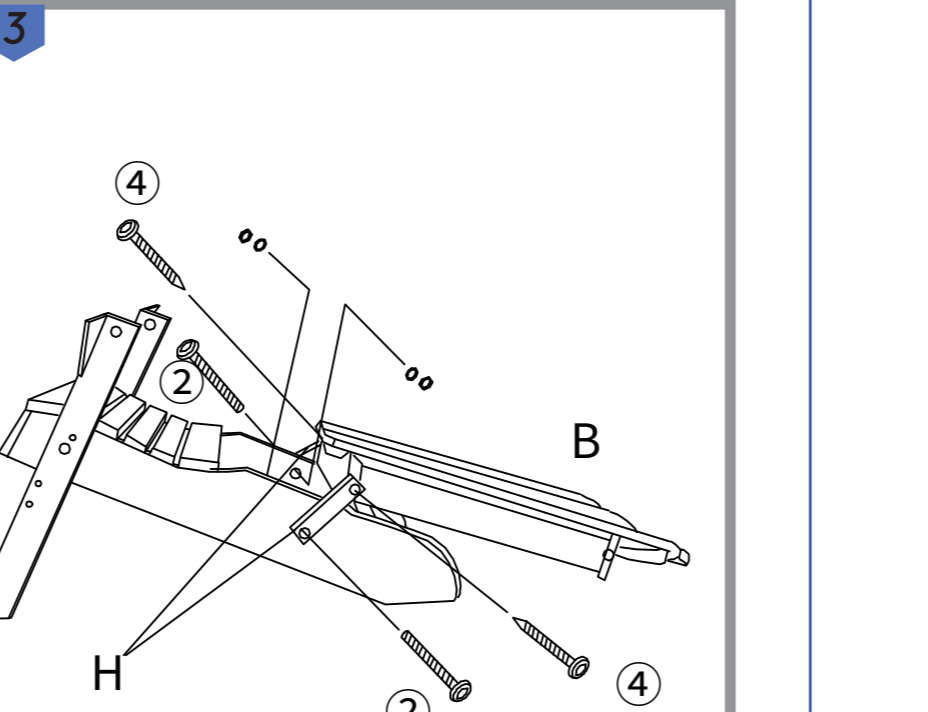
E=1PC
F=1PC
G=1PC
①=4PCS

PRODUCT ASSEMBLY



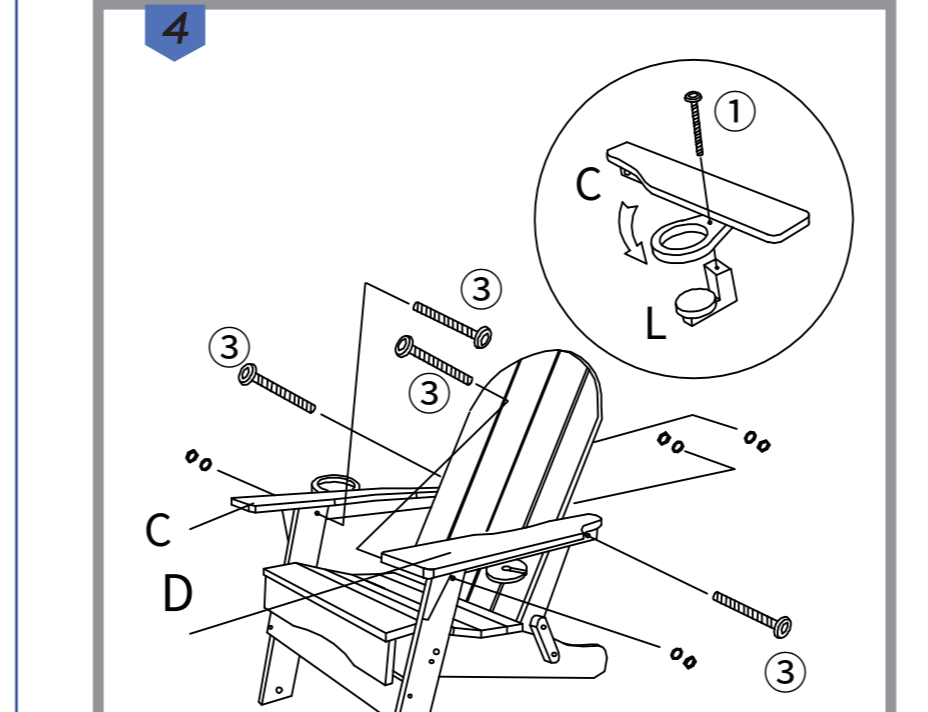
A=1PC
I=1PC
②=2PCS
④=2PCS
⑤=2PCS
⑥=2PCS

PRODUCT ASSEMBLY



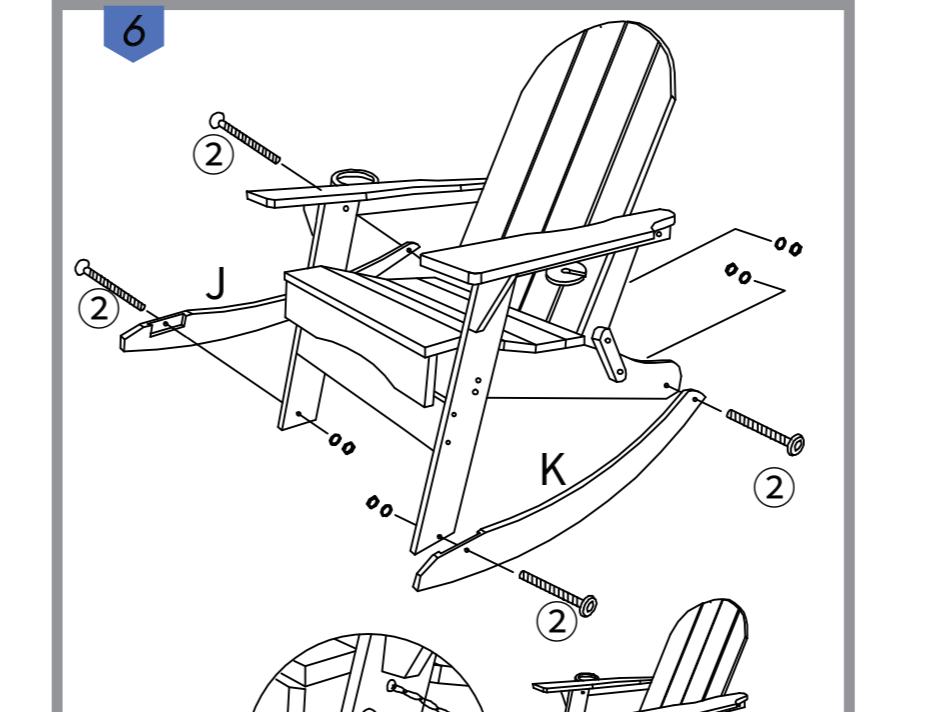
B=1PC
H=2PCS
②=2PCS
④=2PCS
⑤=4PCS
⑥=2PCS

PRODUCT ASSEMBLY



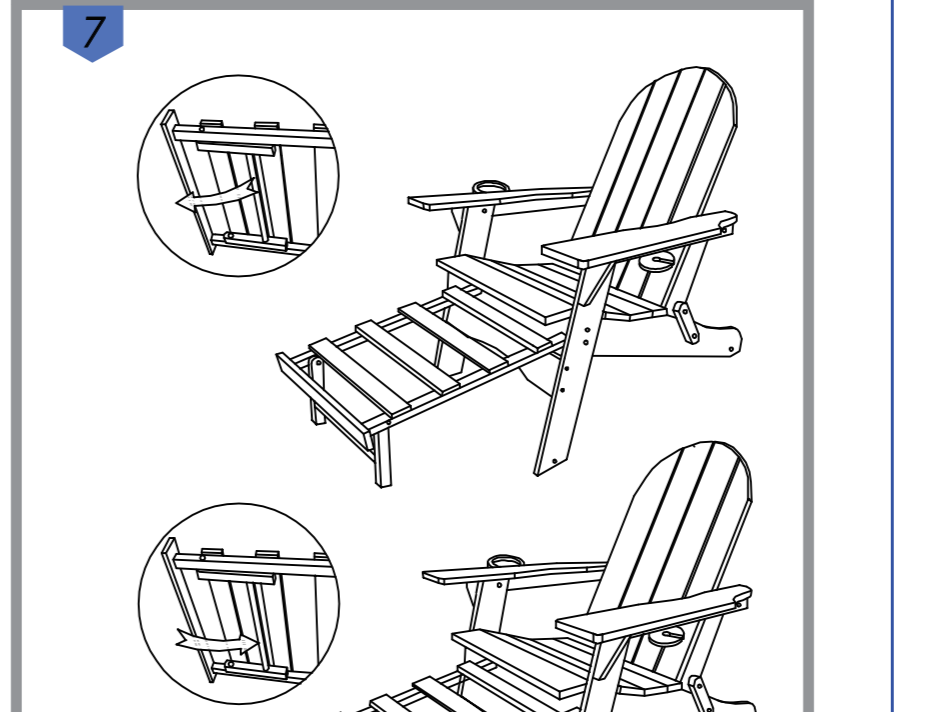
C=1PC
D=1PC
L=1PC
①=1PC
③=4PCS
⑤=2PCS
⑥=4PCS

PRODUCT ASSEMBLY



J=1PC
K=1PC
②=4PCS
⑤=4PCS
⑥=4PCS

PRODUCT ASSEMBLY



Easy to pull out or retract footrest for variety use

WARRANTY

1-YEAR Warranty Program

- For a period of one (1) years after date of purchase, the Manufacturer will either repair or replace defective components in accordance with this Limited Warranty. This warranty is between the Manufacturer and the original purchaser and is valid only when accompanied by the original purchaser's sales receipt showing original date of purchase and location of purchase. Replacements under this warranty revert back to the date of original purchase for future warranty.
- The manufacturer or its authorized dealer can accept or reject warranty claims based on its findings. This warranty applies in normal residential use only and is not intended for commercial use. The Manufacturer can make substitutions as required of materials, components, and sub-components of comparable value and utility. This warranty is limited to product repair or replacement (to be determined solely by the Manufacturer). Warranty return is limited to only the single affected component.
- This limited warranty covers only manufacturing defects and does not cover normal wear and tear, damage due to acts of nature (such as, but not limited to freezing or high winds), abuse or misuse, including chemical damage from suntan oil or other chemicals, exposure to extreme heat or cold, abrasion or excessive weight. This product is intended to be used in standard installations only. This warranty is void if the product is not used for its intended purpose. The Manufacturer disclaims liability for any aspect of installation and any inconvenience caused by a defective part of a component.

HELP CENTER

Question about your product?
We are here to help, contact us by
patiotimecare@outlook.com



Support Service

Email