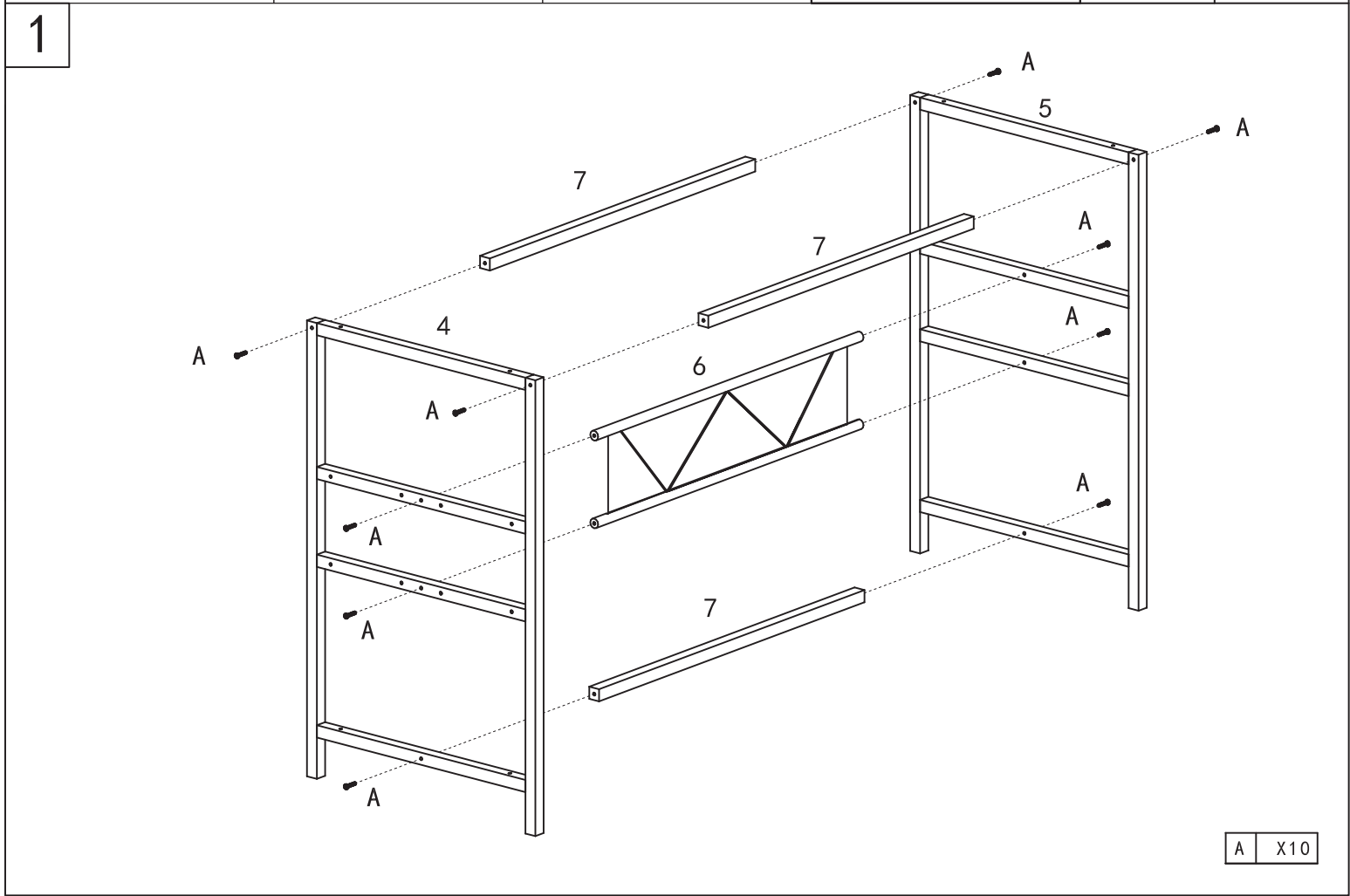
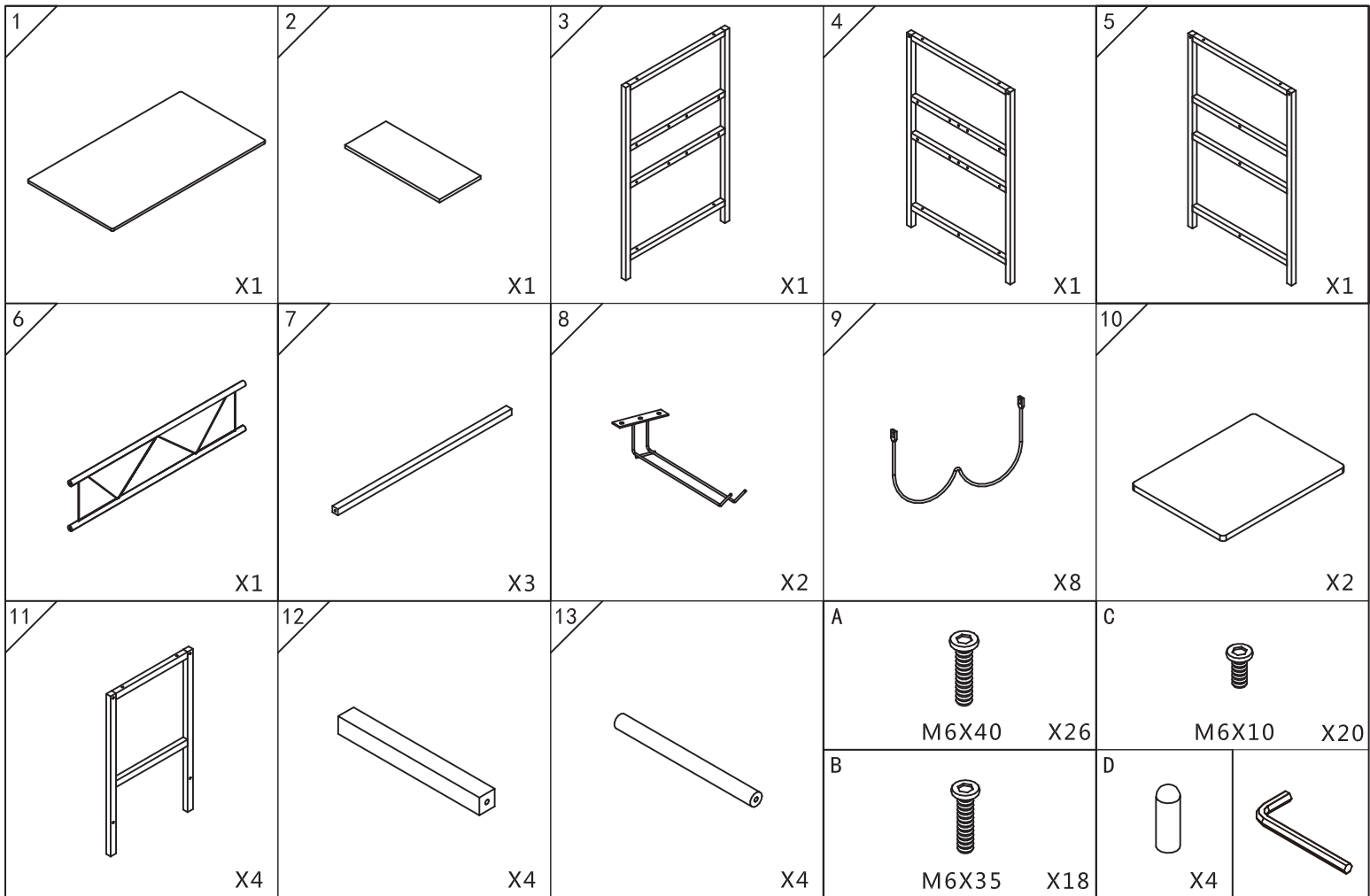


READ AND SAVE THIS INSTRUCTION FOR FUTURE USE

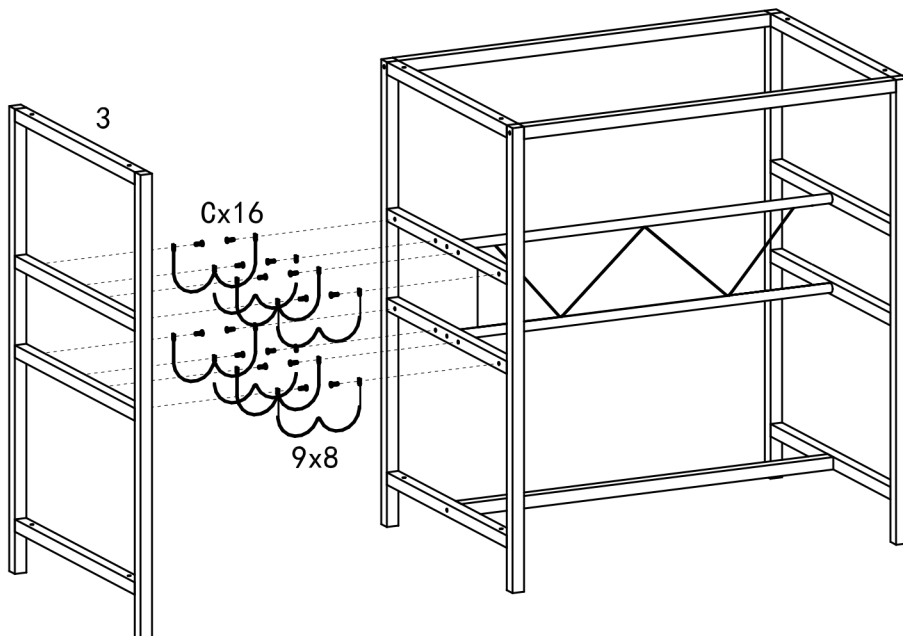
ASSEMBLY INSTRUCTION

Attention: Do not tighten the screws until all of them are in right positions



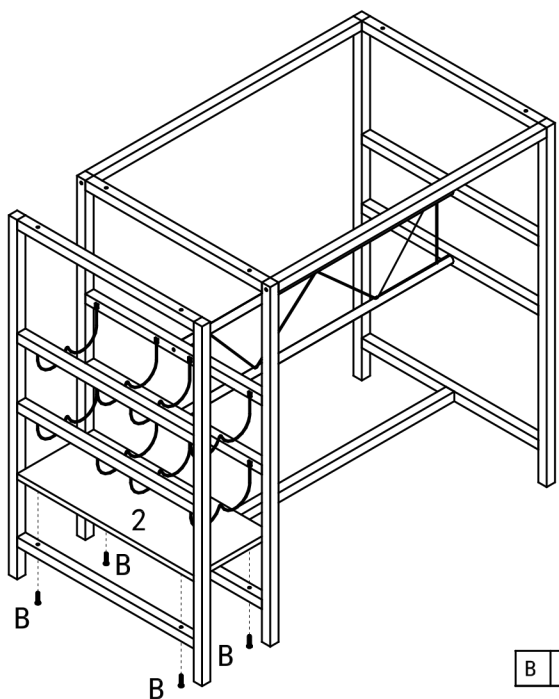
A X10

2



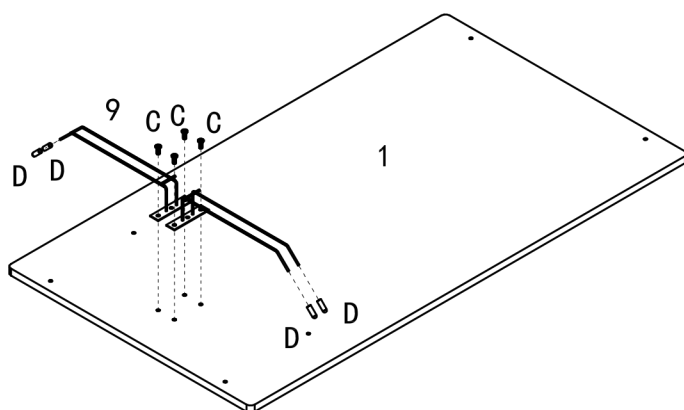
C	X16
---	-----

3



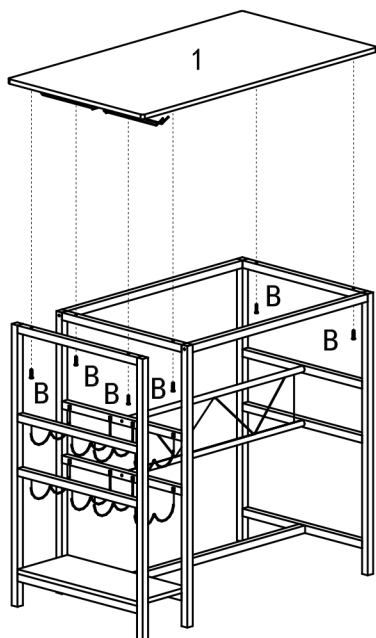
B	X4
---	----

4

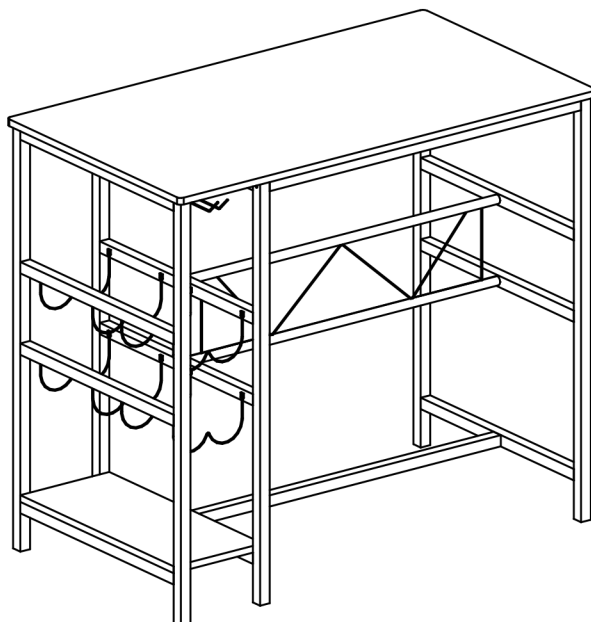


C	X4
D	X4

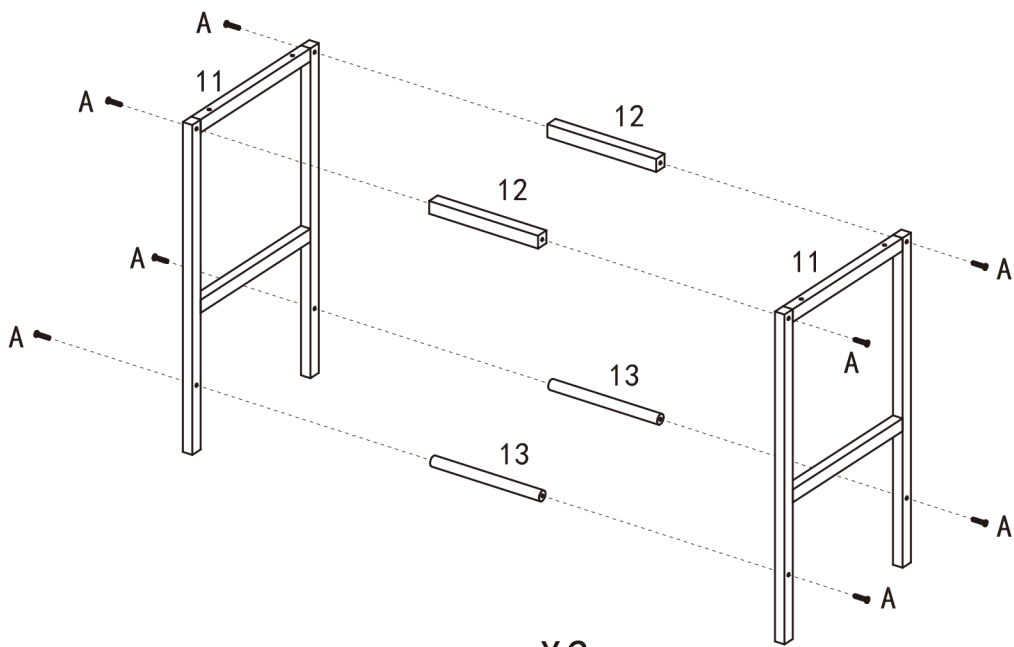
5



B	X6
---	----



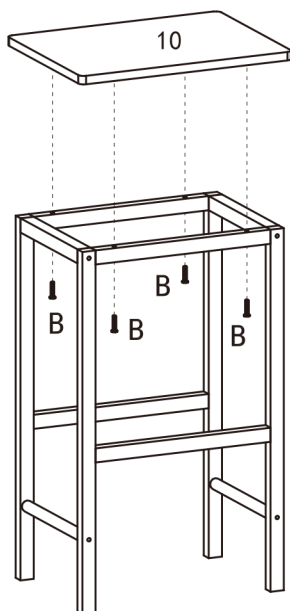
6



X2

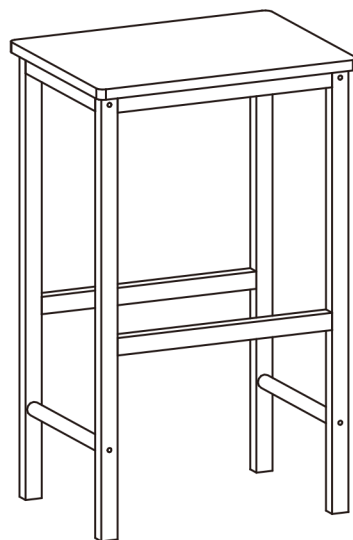
A X16

7



X2

B X8



X2

