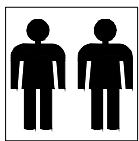


ASSEMBLY INSTRUCTION

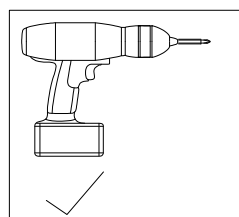


Please TEAR OFF this shrink film from side!
DO NOT USE CUTTER!

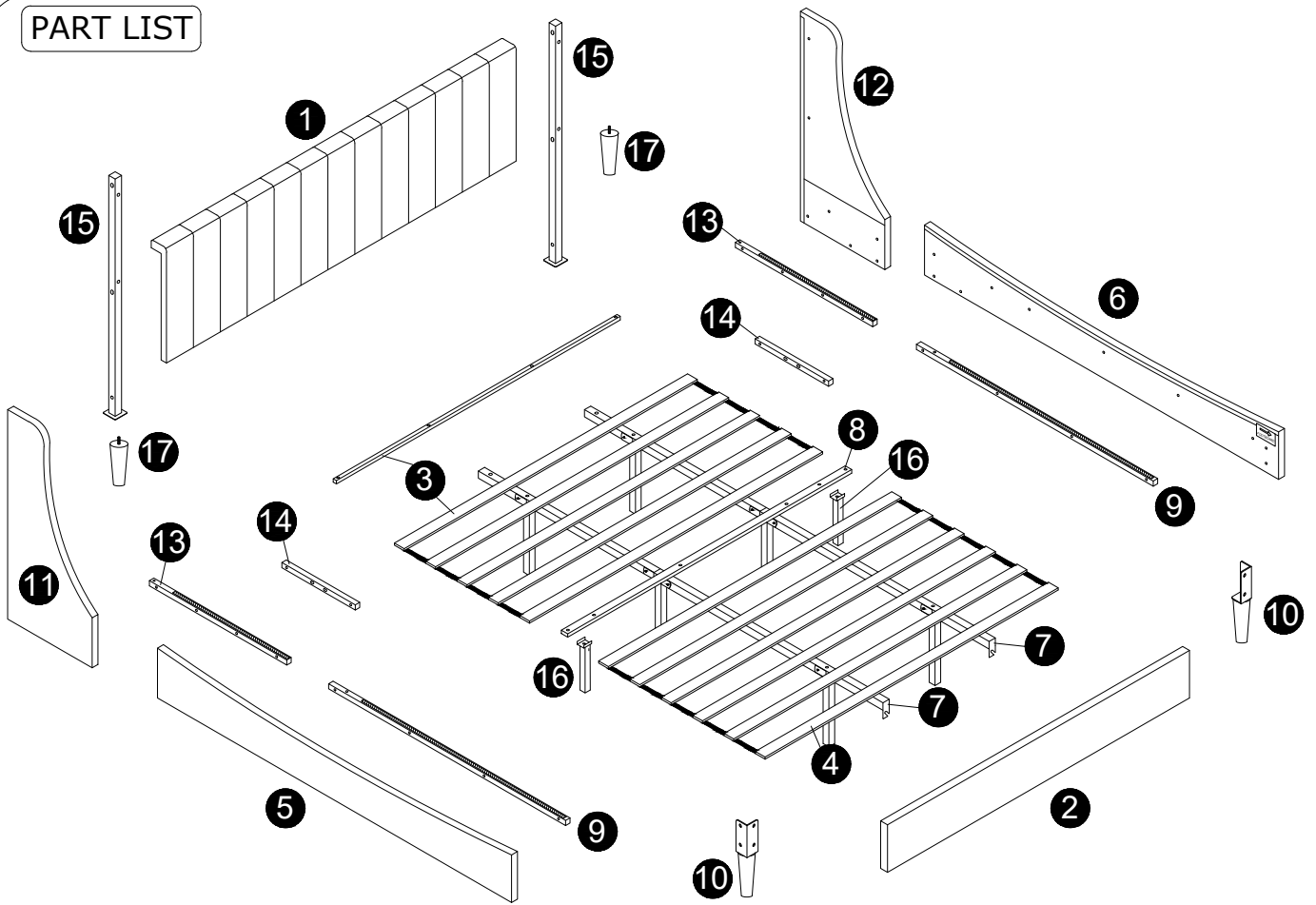
1. FOR THE PROTECTION OF YOUR FURNITURE, PLACE ALL PARTS ON A CLEAN AND SMOOTH SURFACE TO PREVENT ANY DAMAGE.
2. DO NOT USE POWER TOOLS TO ASSEMBLE THE BED.
3. PLEASE PERIODICALLY CHECK ALL FITTINGS AND RE-TIGHTEN AS NECESSARY.
4. DO NOT USE THE BED UNLESS ALL BOLTS AND SCREWS ARE FIRMLY SECURED.
5. YOU CAN ASSEMBLE IT WITH OUR PACKAGING TOOLS OR WITH A.



Minimum two
person assembly



PART LIST



<p>1 x 1pc</p>	<p>2 x 1pc</p>	<p>3 x 1pc</p>	<p>4 x 1pc</p>	
<p>5 x 1pc</p>	<p>6 x 1pc</p>	<p>7 x 2pcs</p>	<p>8 x 1pc</p>	
<p>9 x 2pcs</p>	<p>10 x 2pcs</p>	<p>11 x 1pc</p>	<p>12 x 1pc</p>	
<p>13 x 2pcs</p>	<p>14 x 2pcs</p>	<p>15 x 2pcs</p>	<p>16 x 2pcs</p>	
<p>17 x 2pcs</p>				

HARDWARE LIST



H1 M5 x 1pc



H2 M8x25mm x 10pcs



H3 M8x35mm x 8pcs



H4 M8x45mm x 38pcs



H5 M8 x 54pcs

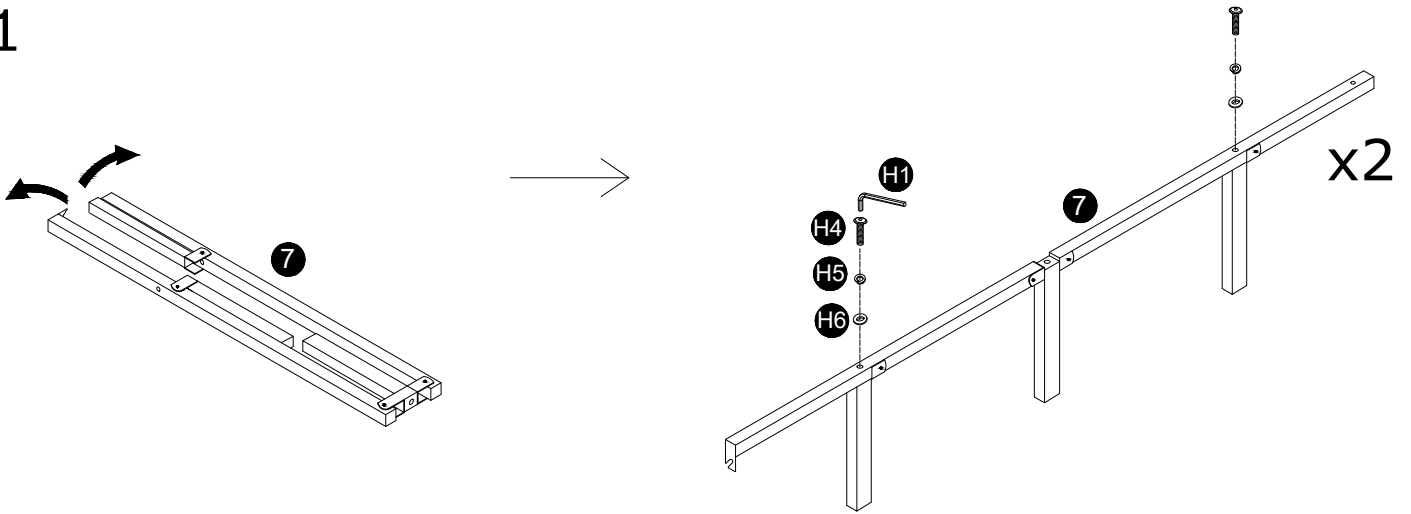


H6 M8x17mm x 58pcs

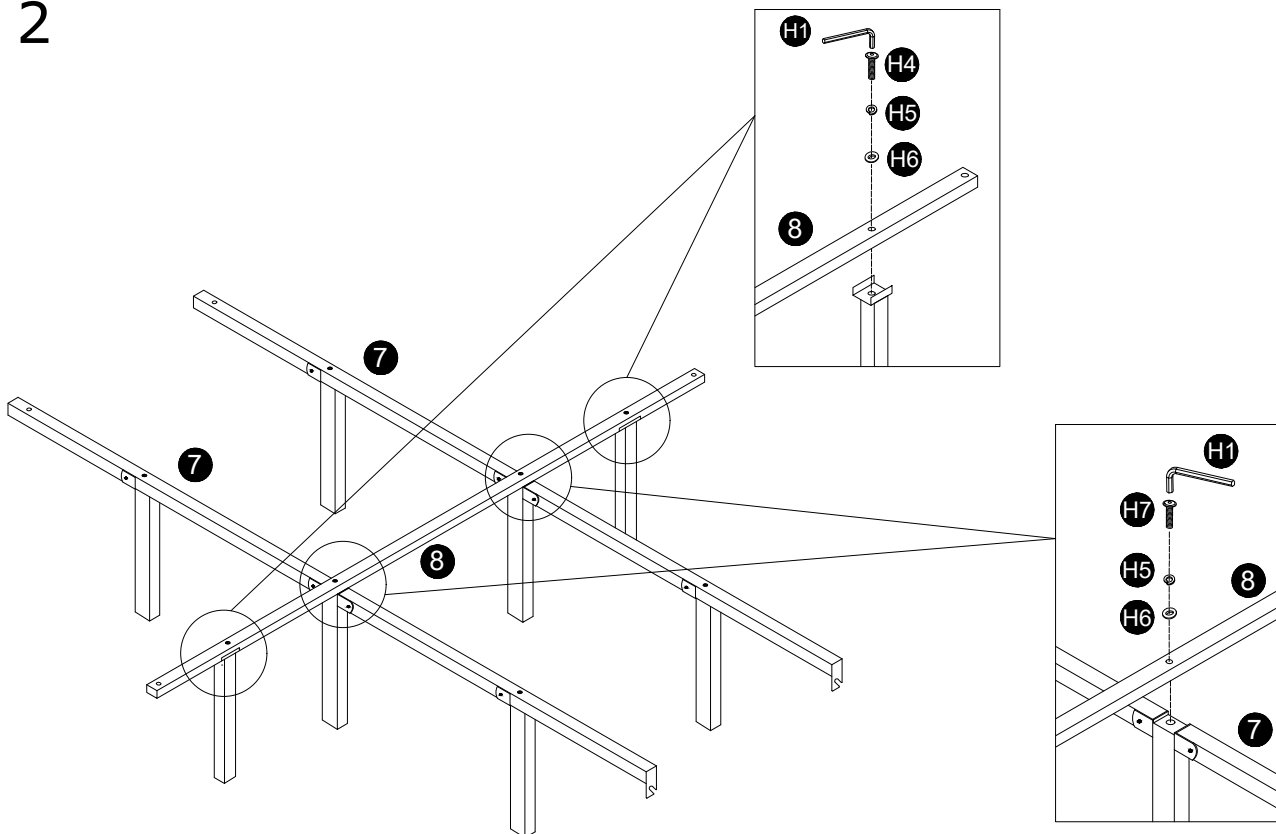


H7 M8x60mm x 2pcs

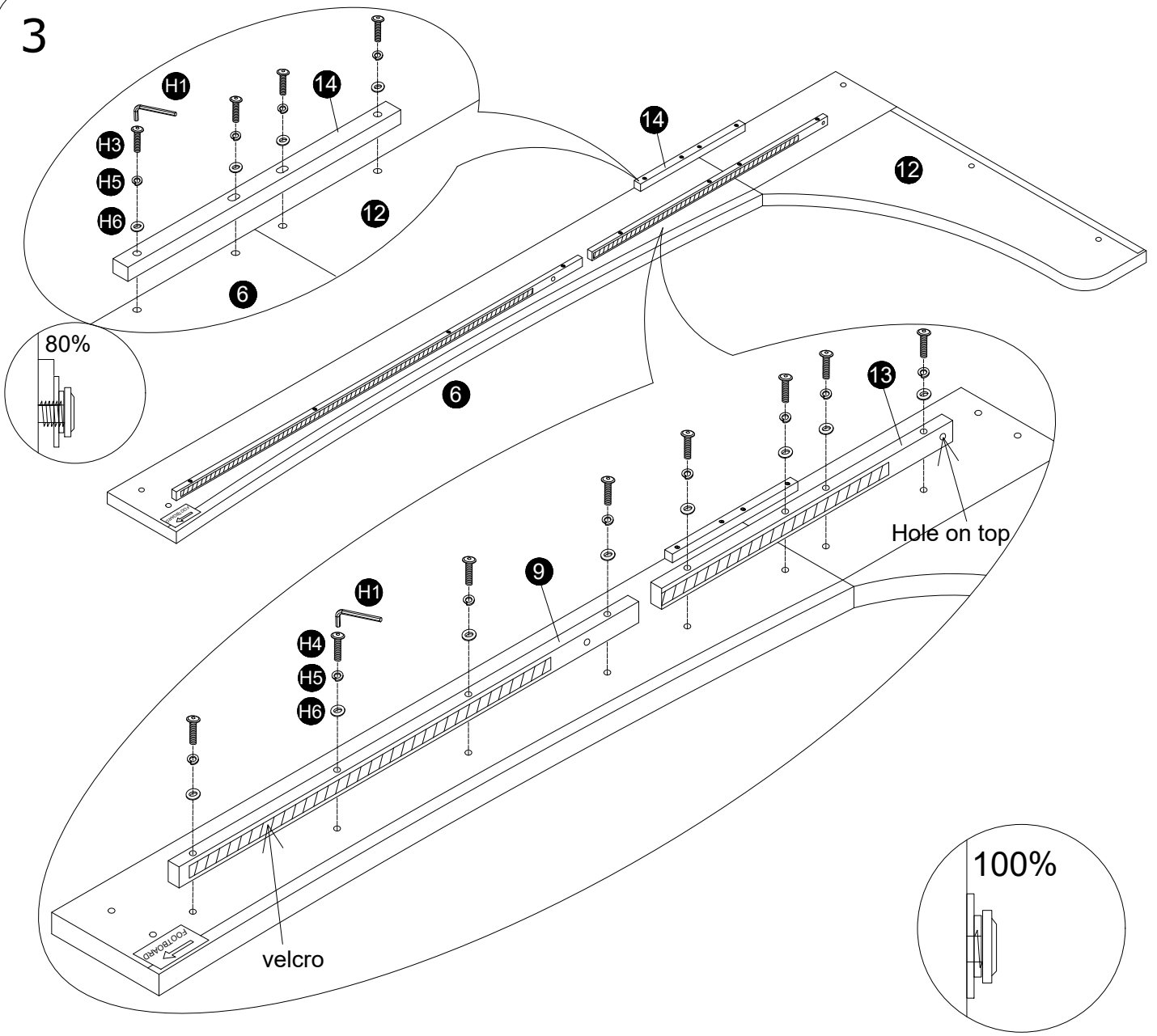
1



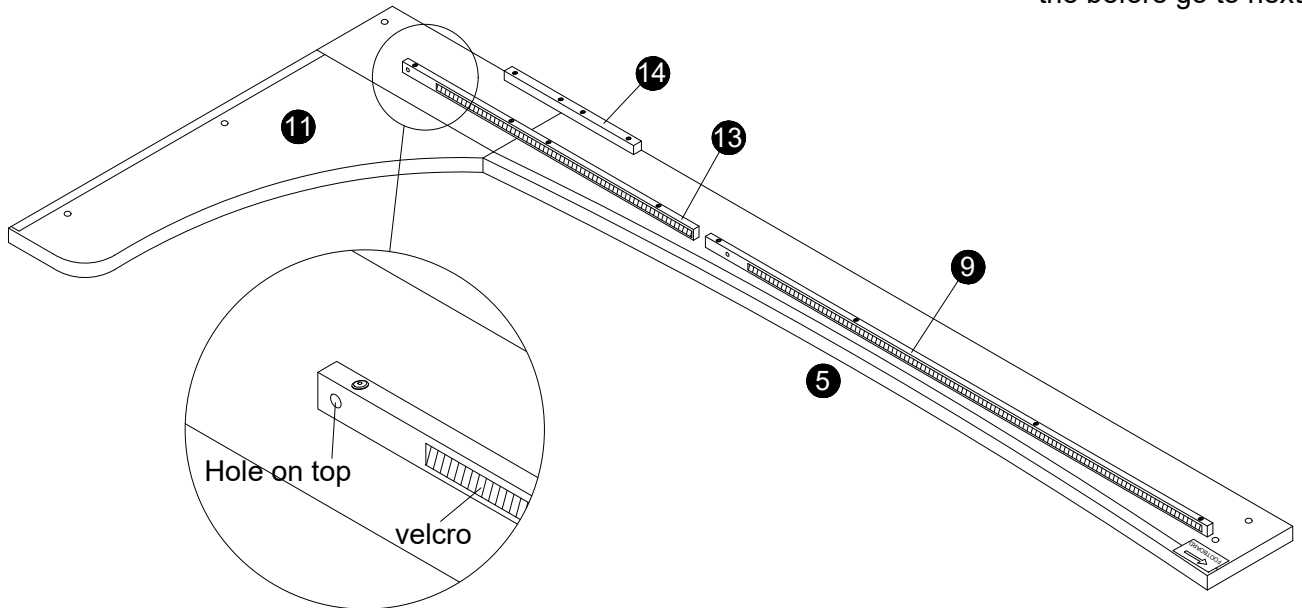
2



3

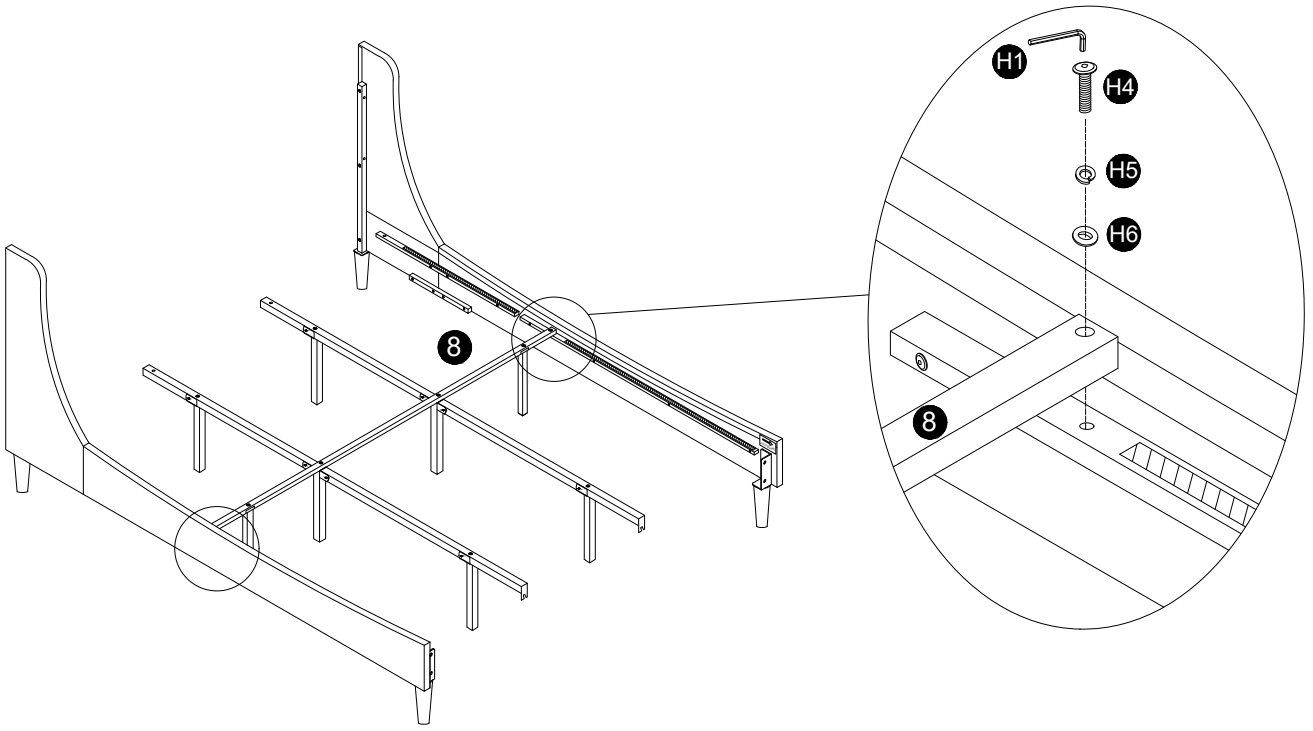


Please fully tighten all fixings the before go to next step.

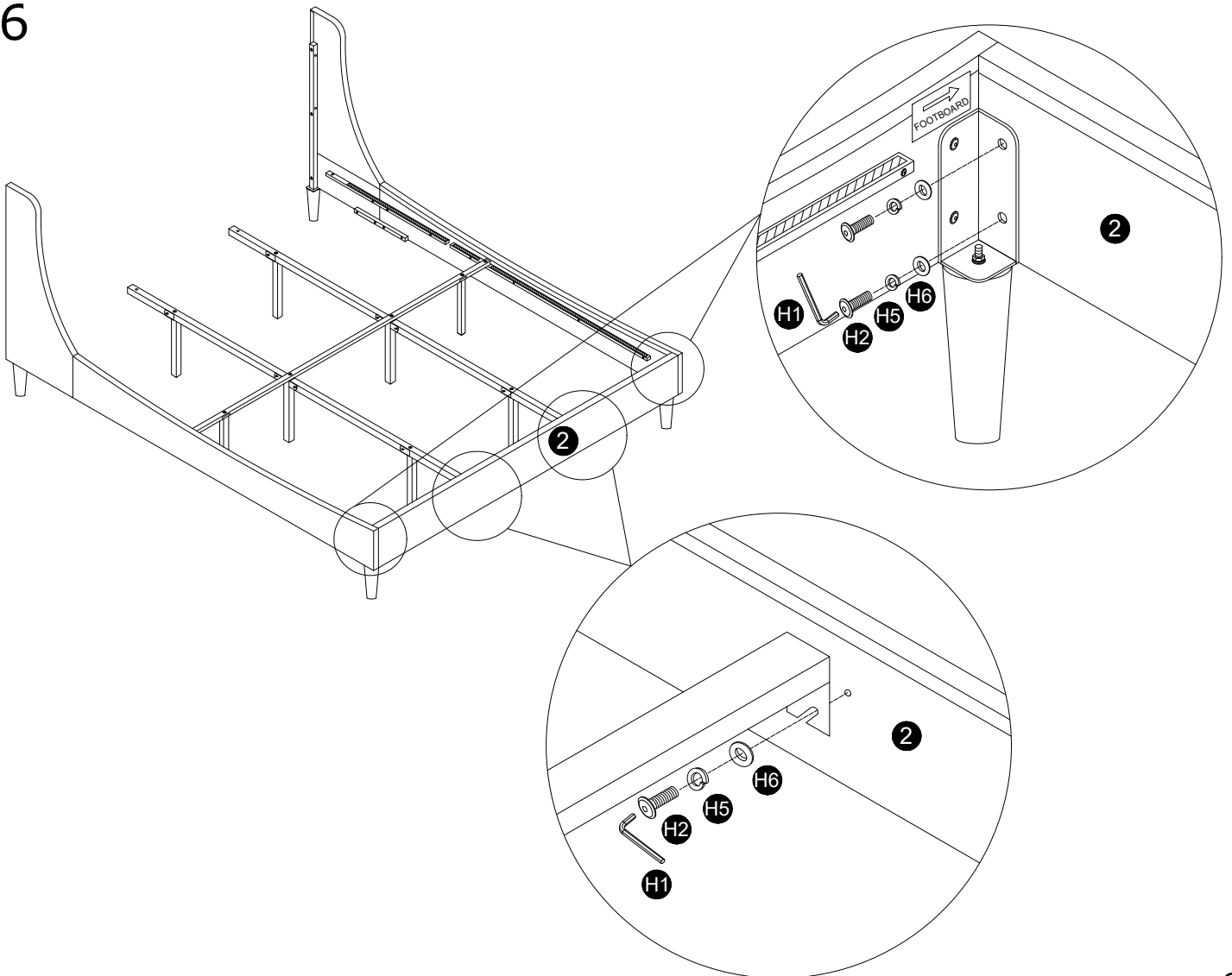


4

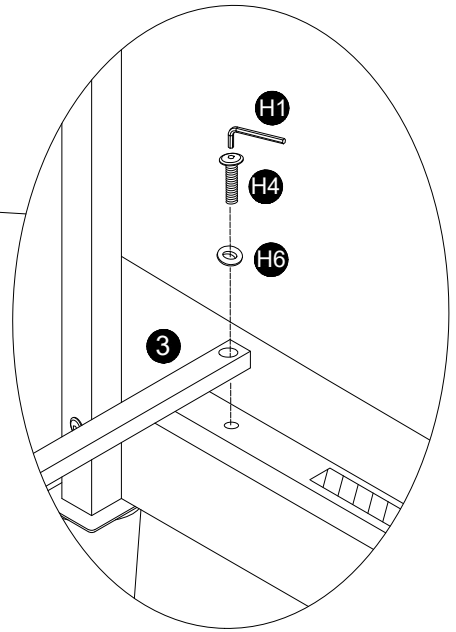
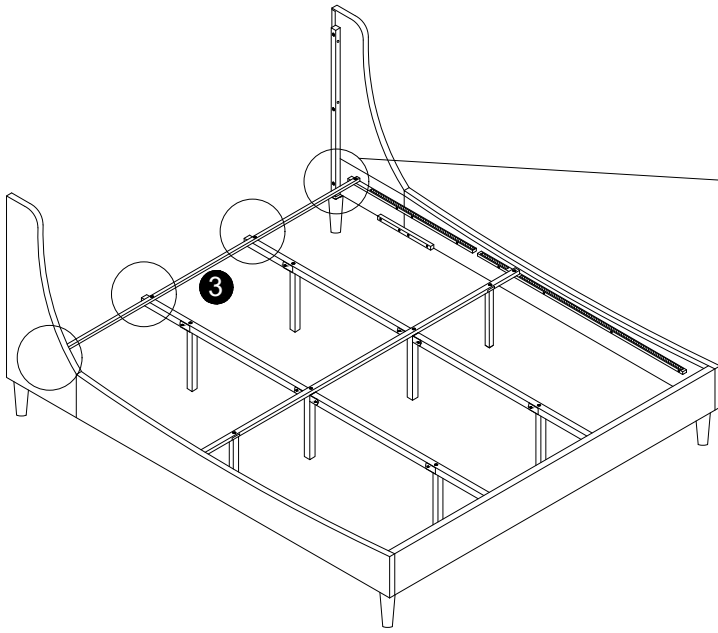
5



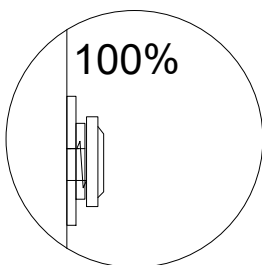
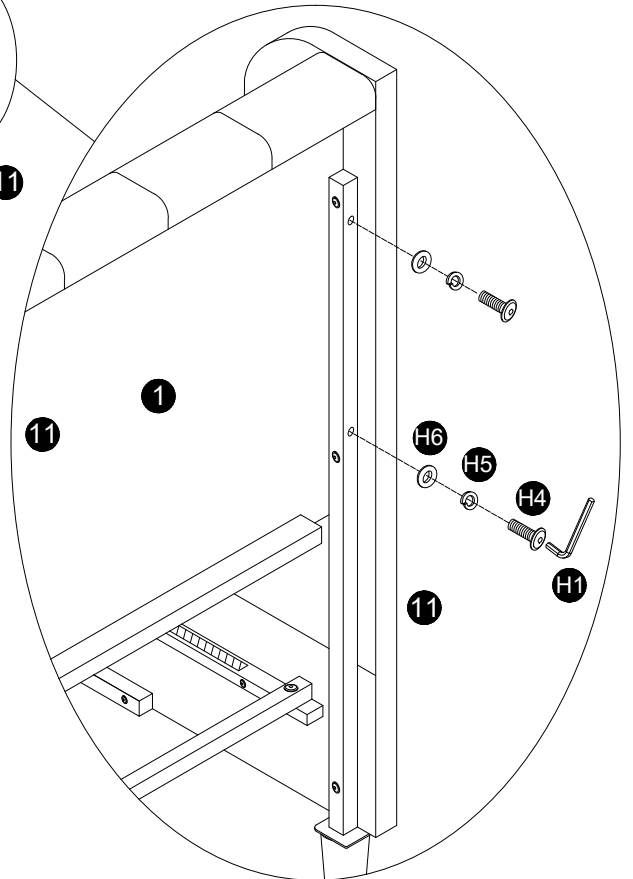
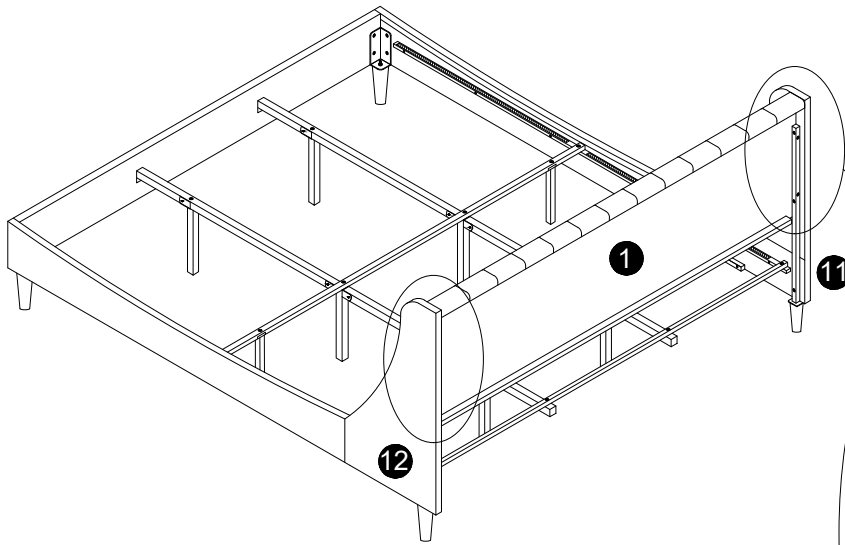
6



7

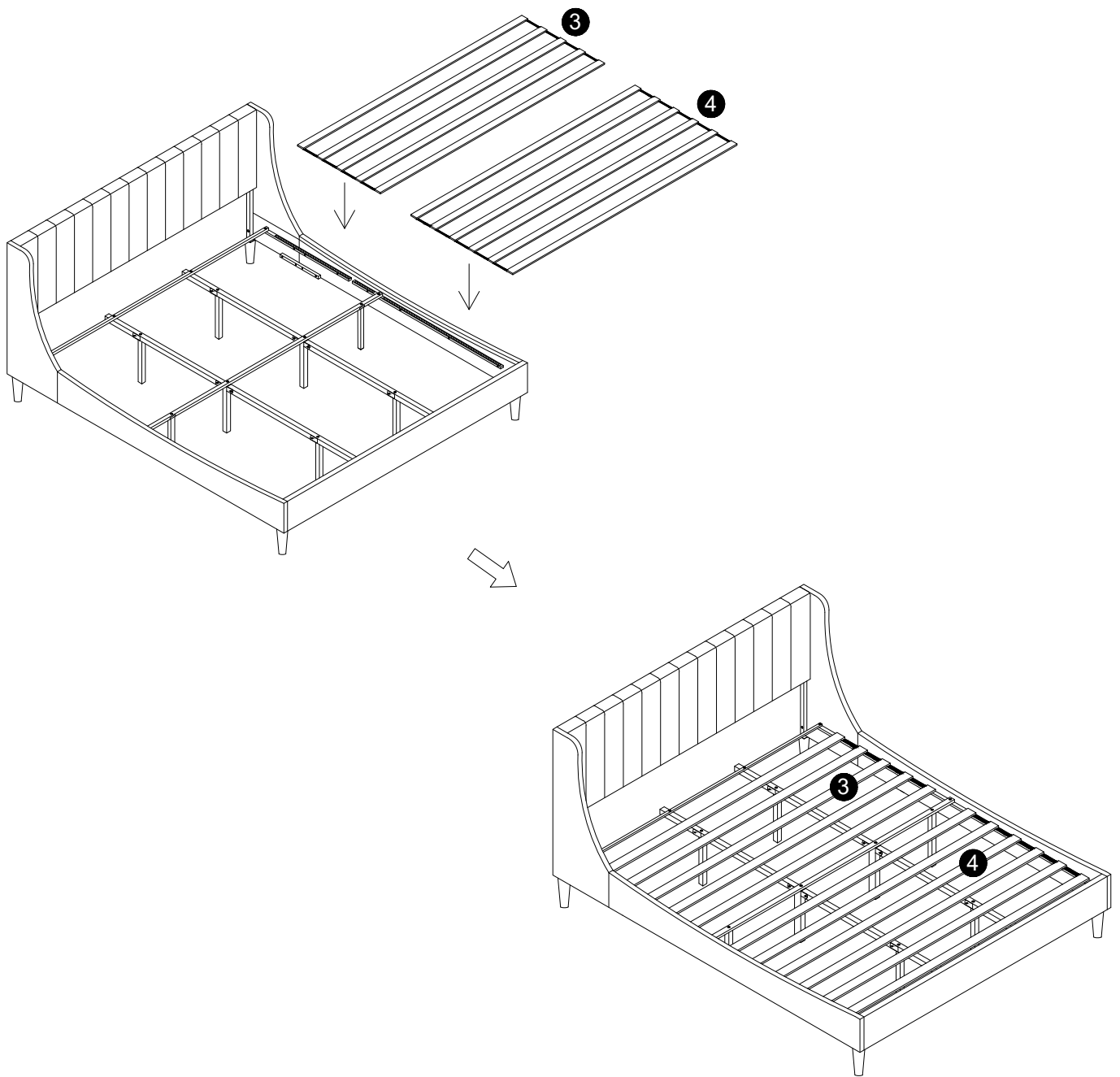


8



After assembly is completed,
Fully tighten step 4 all fixings.

9



Job Complete !

In the interest of our environment please dispose of all packaging thoughtfully.