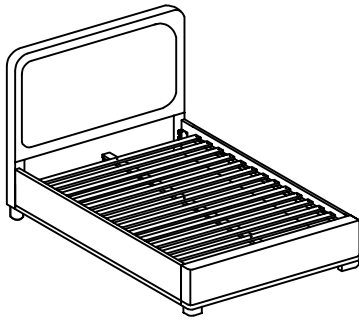


# ASSEMBLY INSTRUCTION

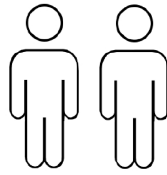


Q

## + Do Not Use Power Tools



## + Suggested Adults



**NOTE:** For questions about parts or assembly please email [support@meridianfurnitureusa.com](mailto:support@meridianfurnitureusa.com) or call us at 718-758-4455.

- 1 Read instructions cover to cover.
- 2 Save all packaging until assembly is completed.

## 1 IMPORTANT SAFETY INFORMATION

**Do not** assemble the product if any of the following parts arrived damaged:

- Part # - Side Rails
- Part # - Center Support Bar
- Part # - Support Legs
- Part # - Slats

## 2 IMPORTANT ASSEMBLY INFORMATION

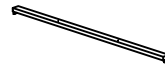
**Assembly Step** Ensure the side rail bracket is fully hooked onto bolt loosely threaded with both washers on the **OUTSIDE** of the bracket first, then proceed to fully tightening all 4 corners.

## + Parts Included

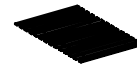
- ① Headboard (1 of pc)    ② Footboard (1 of pc)    ③ Side Rail (2 of pcs)



- ④ Center Rail (1 of pc)    ⑤ Headboard Leg (2 of pcs)    ⑥ Footboard Leg (2 of pcs)

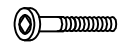


- ⑦ 14 Pcs Slat (1 of set)    ⑧ Support Leg (2 of pcs)

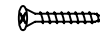


## + Hardware Included

- A JCBB M8x30mm (8 of pcs)    B JCBC M6x40mm (2 of pcs)    C JCBC M6x50mm (4 of pcs)



- D CSK M4 x 25mm (2 of pcs)    E CSK M4 x 32mm (31 of pcs)    F Allen Key M4 x 100mm (1 of pc)

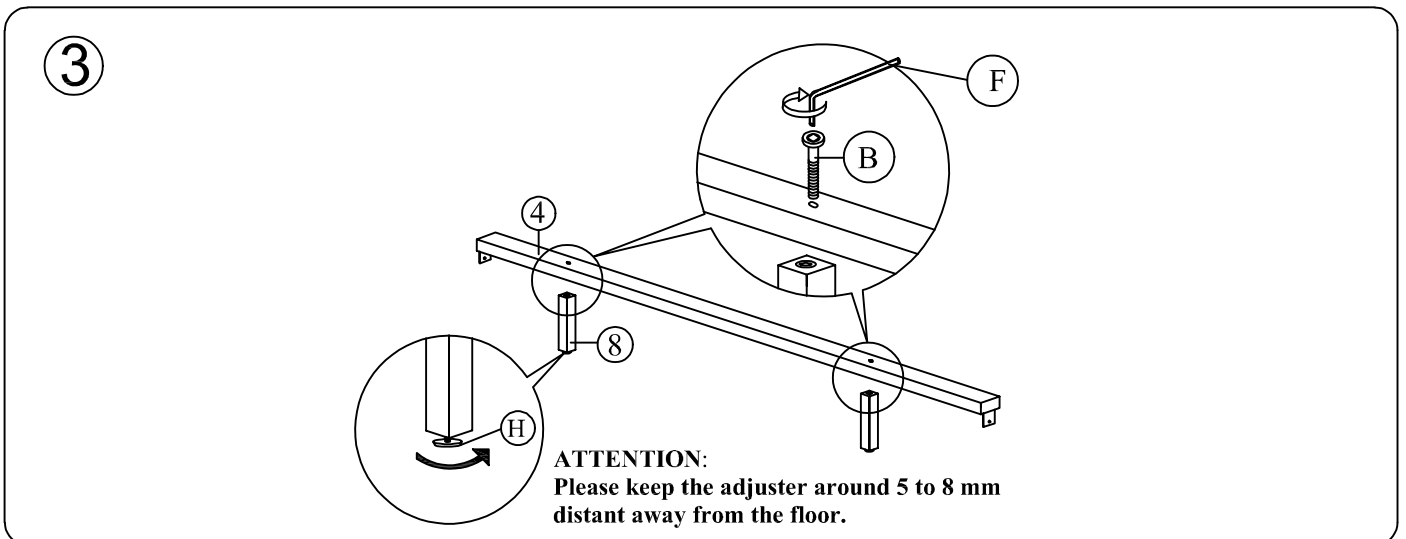
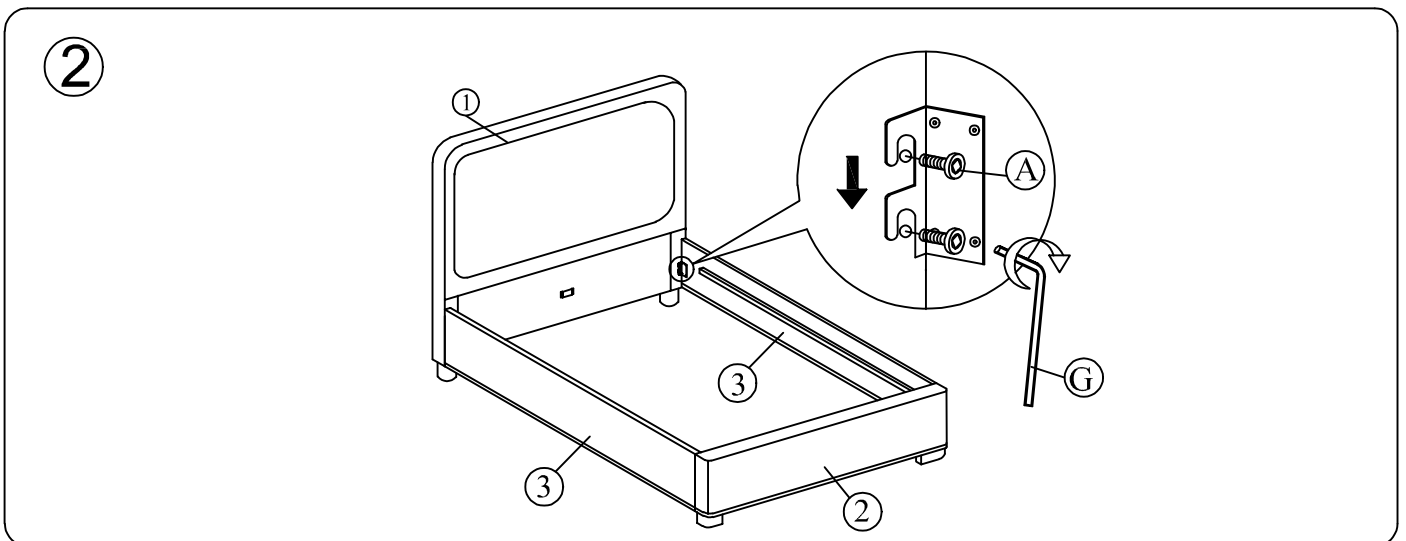
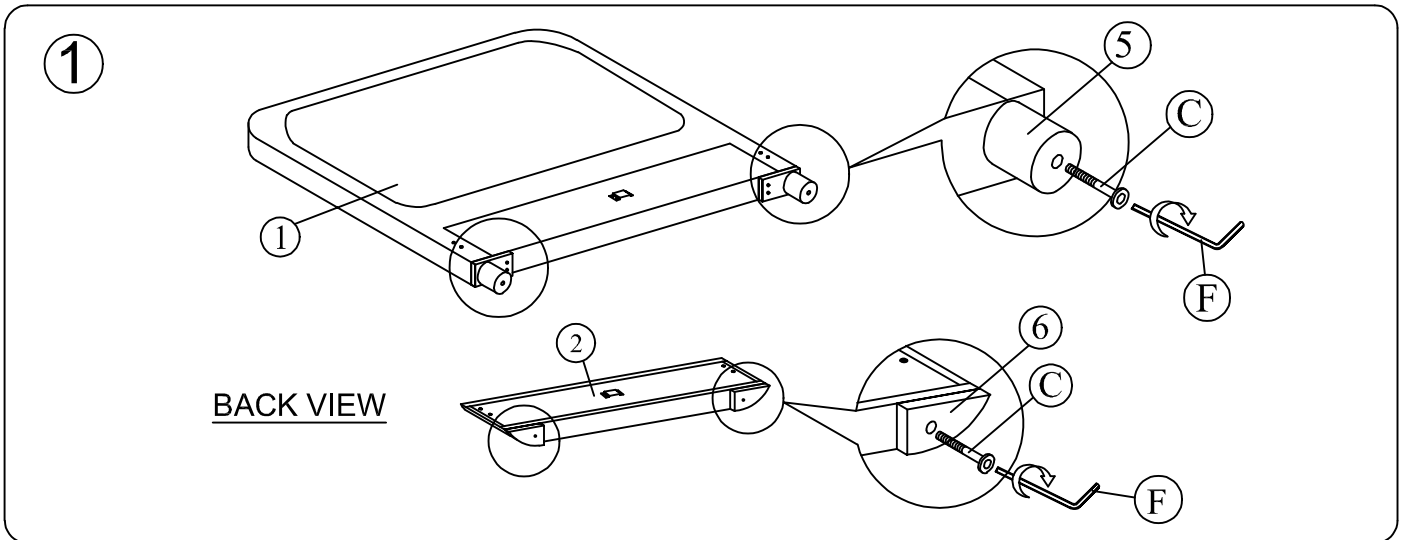


- G Allen Key M5 x 70mm (1 of pc)    H Adjuster (2 of pcs)



# ASSEMBLY INSTRUCTION

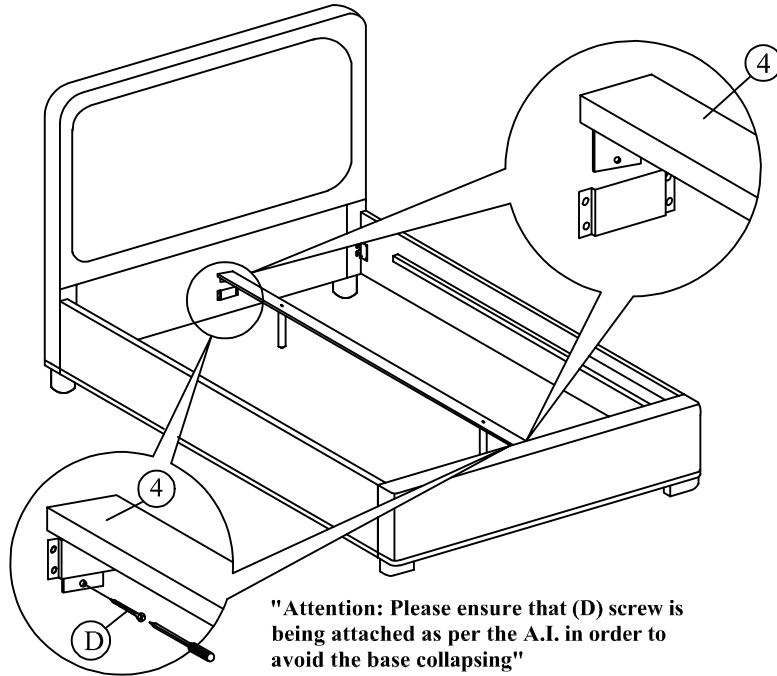
Q



# ASSEMBLY INSTRUCTION

Q

4



"Attention: Please ensure that (D) screw is being attached as per the A.I. in order to avoid the base collapsing"

5

