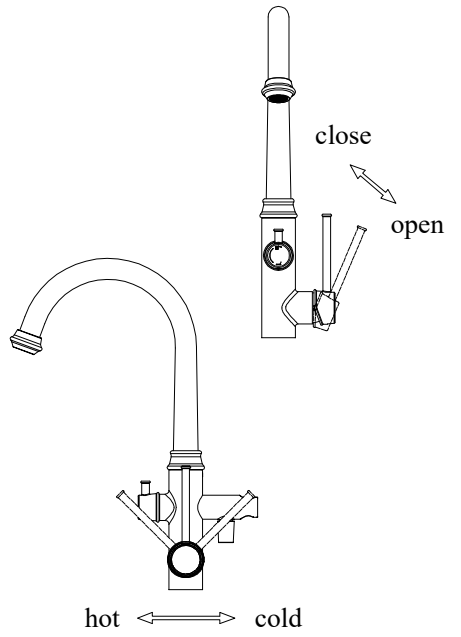
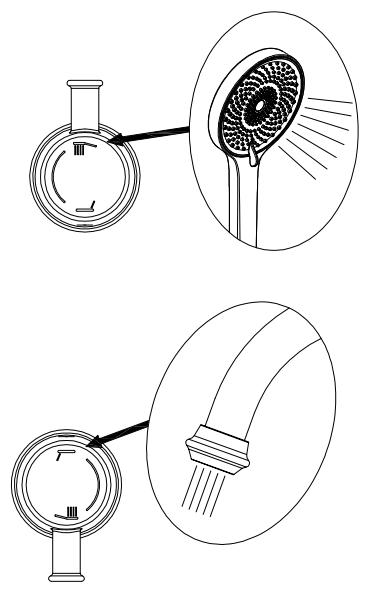


12



13



Repair and maintenance

1. To keep the faucet bright and clean, please clean the faucet frequently or regularly.
2. Rinse with water only, and dry the faucet with soft cotton cloth.
3. Do not use detergent containing coarse particles such as cleaning powder or polishing powder, nylon brush, emery cloth or sandpaper, avoiding wearing the product.
4. Do not use any acidic cleaning agent or rough cleaning agent or soap to polish.
5. When the water flow of the faucet is obviously reduced, please clean the filter screen of the shower head and the rubber particle hole of the shower head, so as not to affect the water flow of the shower head or block it and burst it. Example: The water flow at the shower head is obviously reduced or some rubber particles do not come out. Please rub the rubber particles at the shower head by hand or use sewing needle to make holes in the rubber particles at the shower head.
6. If a lot of cleaning work is needed, please follow the following procedures:
 - A. Use clean water and soft cloth to remove dirt and scale film on the surface as far as possible;
 - B. Use any of the following cleaning agents to remove surface dirt and scale film;
 - Mild liquid cleaner;
 - Colorless glass cleaner, powder cleaner that has no grinding effect and can be completely dissolved (and mixed according to the manufacturing instructions);
 - Polishing liquid without abrasion;
 - Stubborn dirt can be soaked in hot vinegar, then wiped with wax or scrubbed with toothpaste or with special hardware cleaner;
 - C. After cleaning, please remove all cleaning agents with clean water and wipe them dry with soft cotton cloth.