

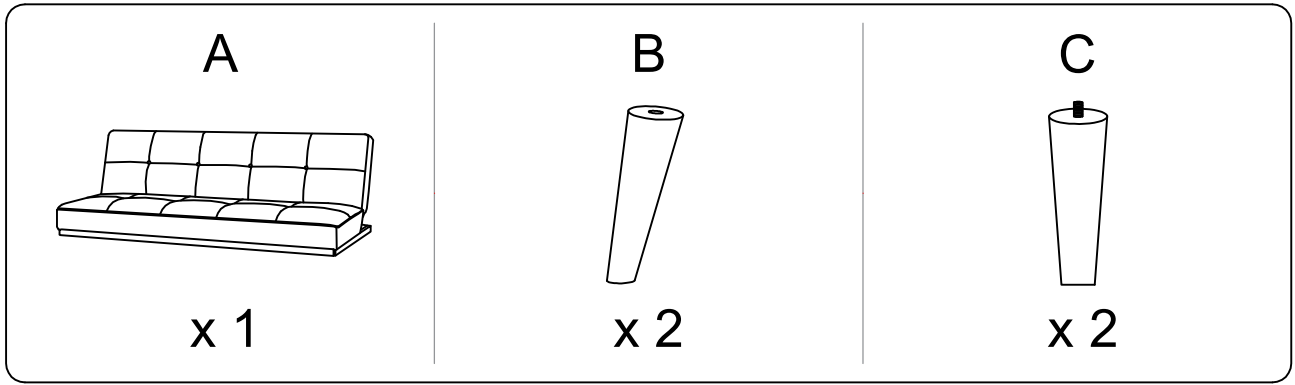
Assembly instructions for the sofa, including warnings, time, and person count.

Warning 1: Do not use a power drill. Use an Allen key (shown in a circle) to tighten the screws.

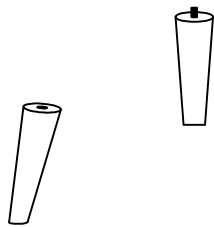
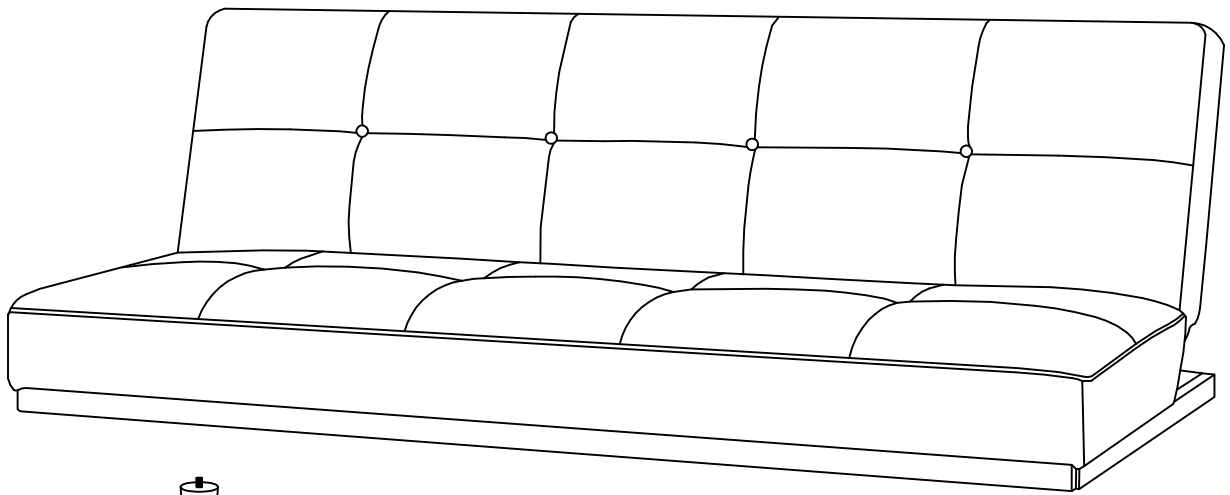
Warning 2: Do not use a screwdriver to tighten the screws. Use a block of wood (shown in a circle) to support the screw head.

Time: 15'

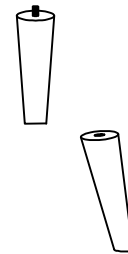
Person Count: 1



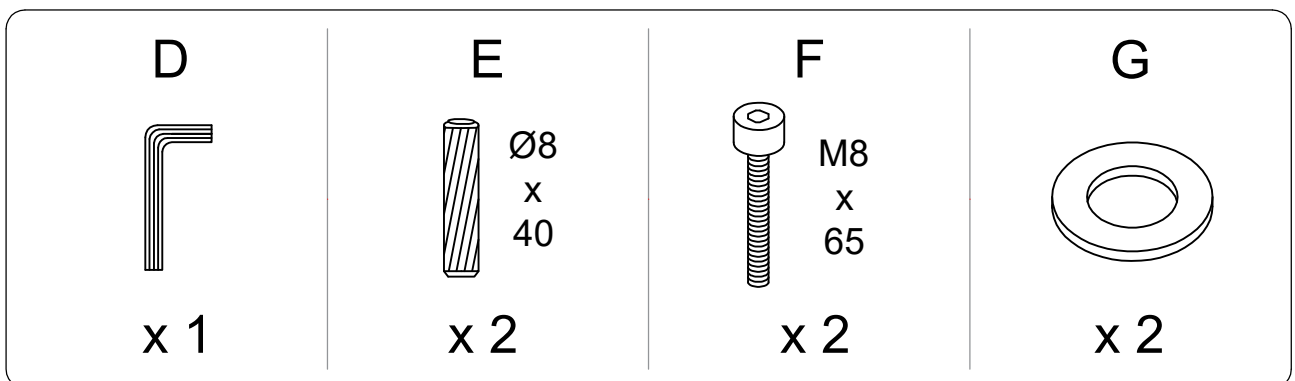
A x 1

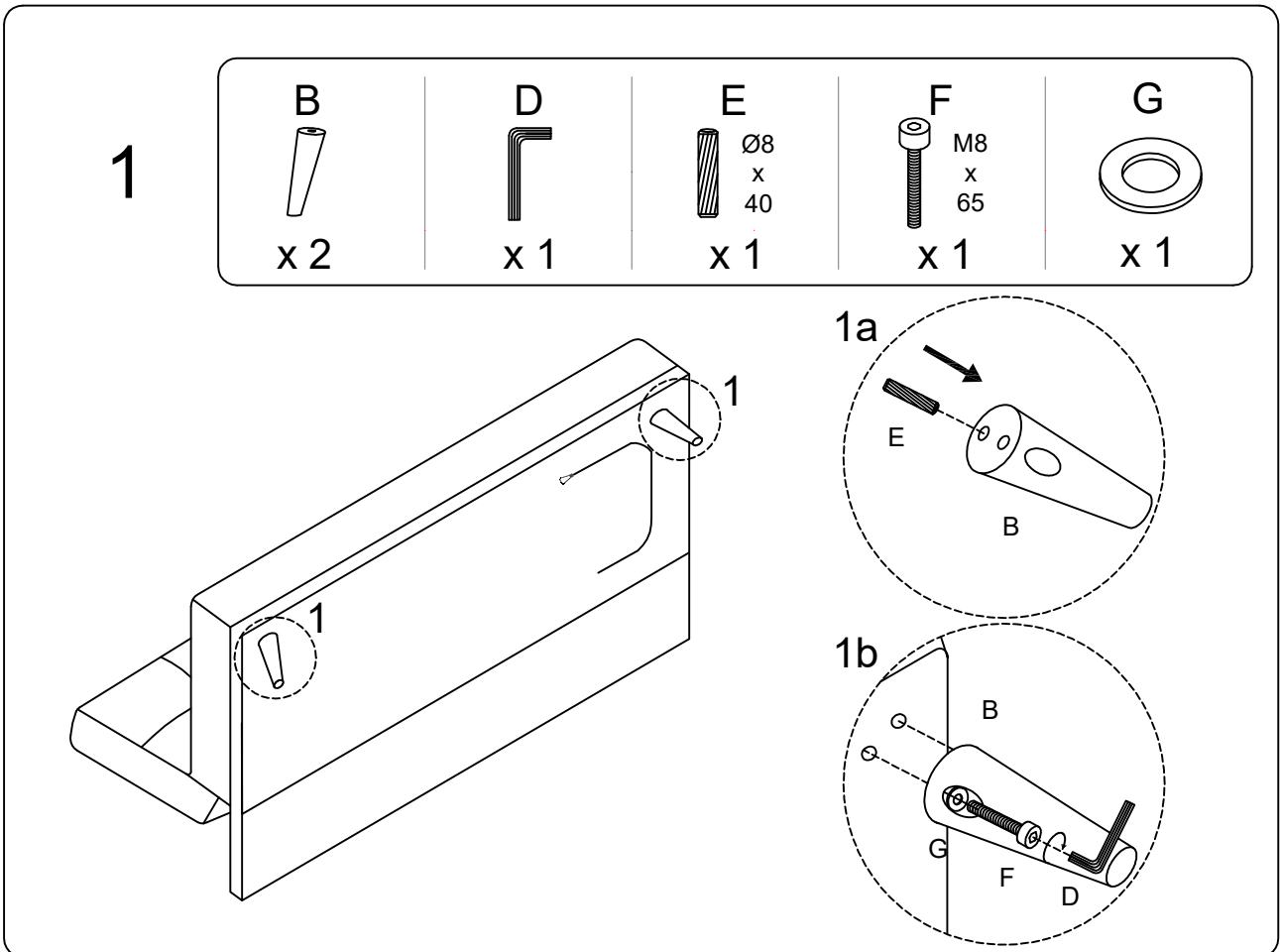
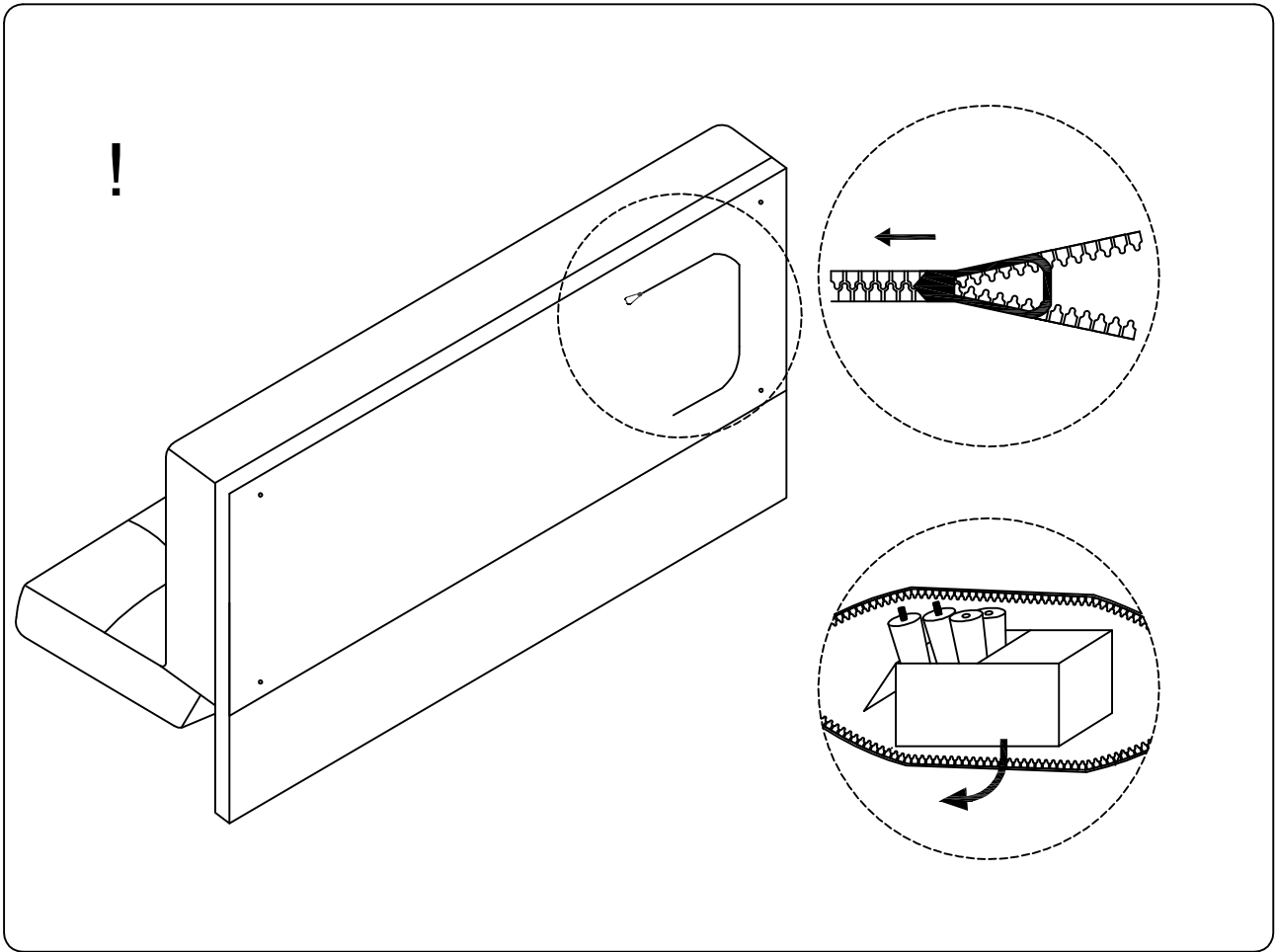


C x 2

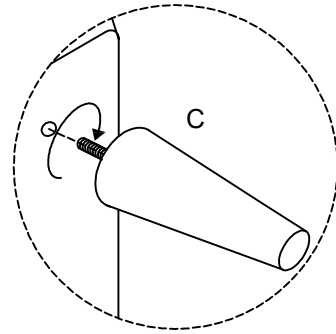
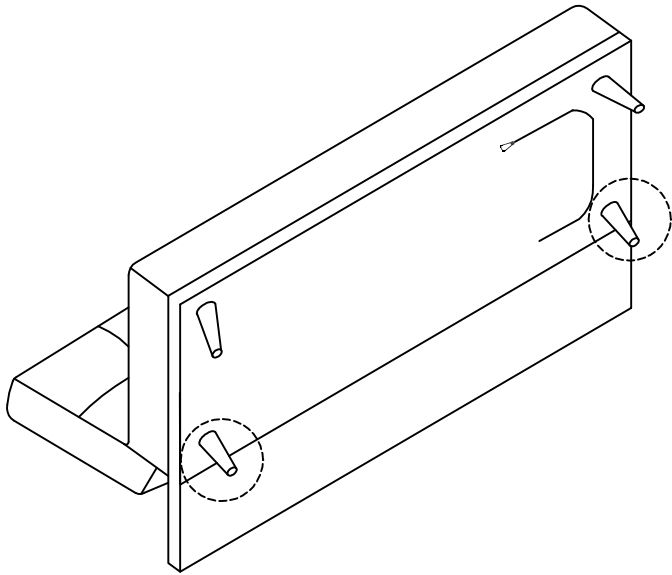


B x 2





2



3

