

INSTALLATION INSTRUCTIONS

PARTS LIST

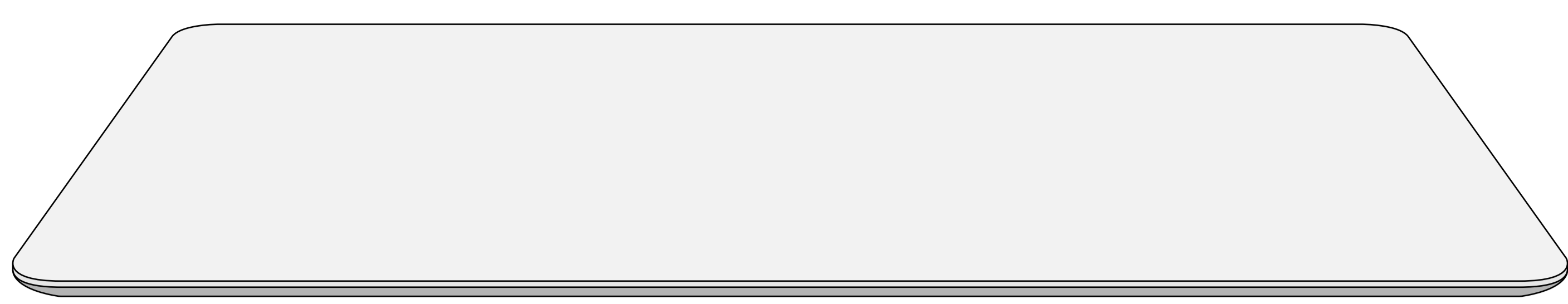
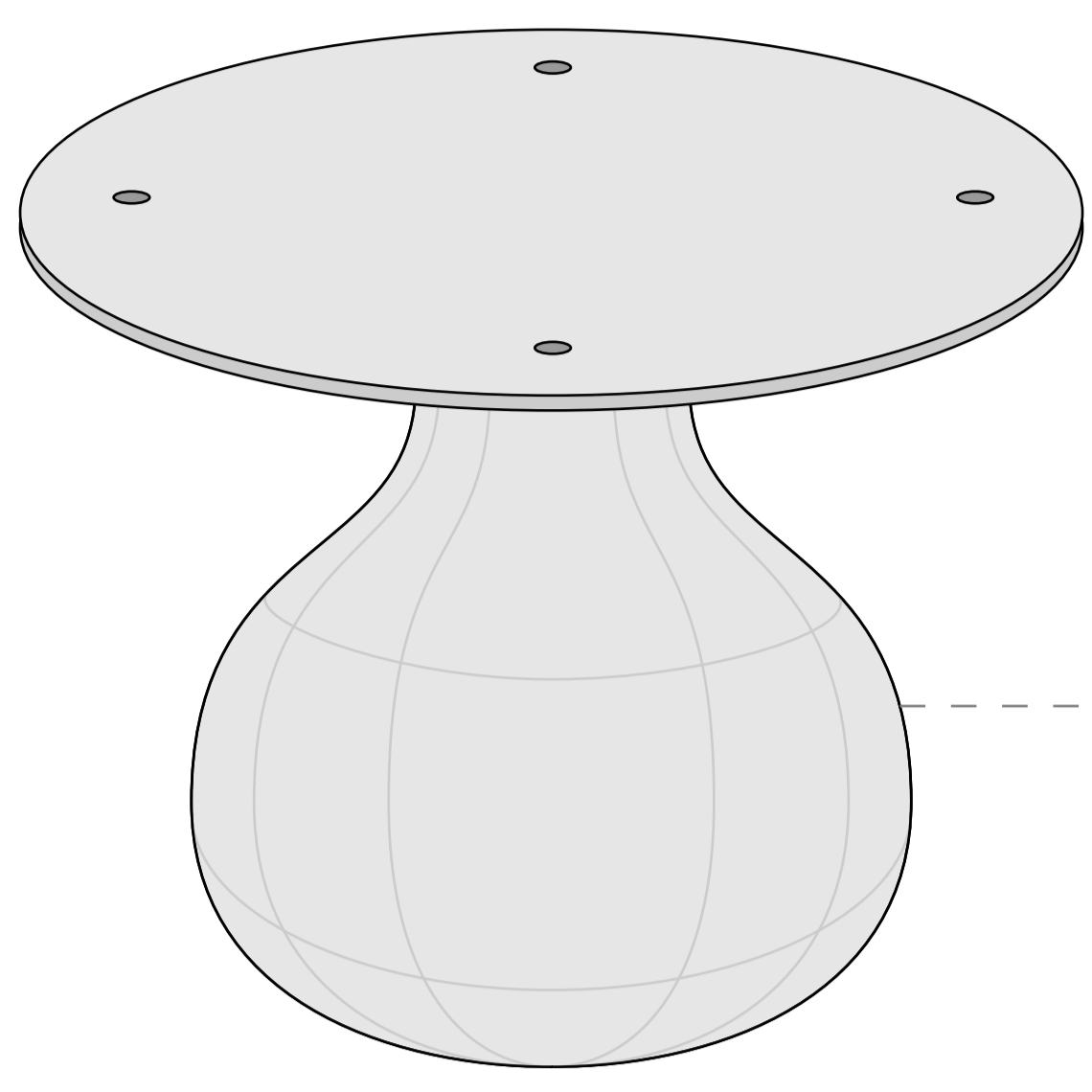
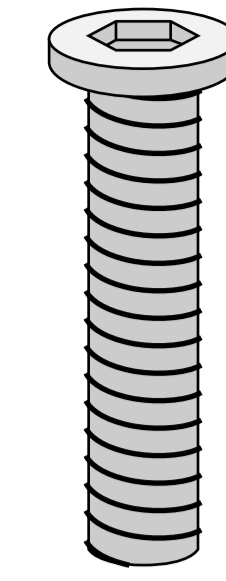


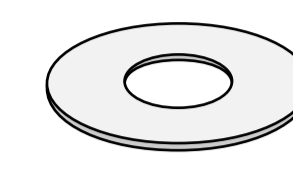
Table top



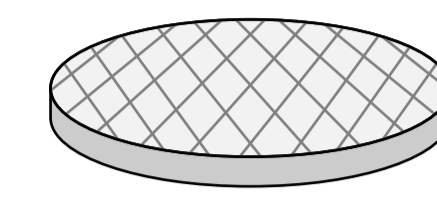
Base



Screw x4



Gasket x4

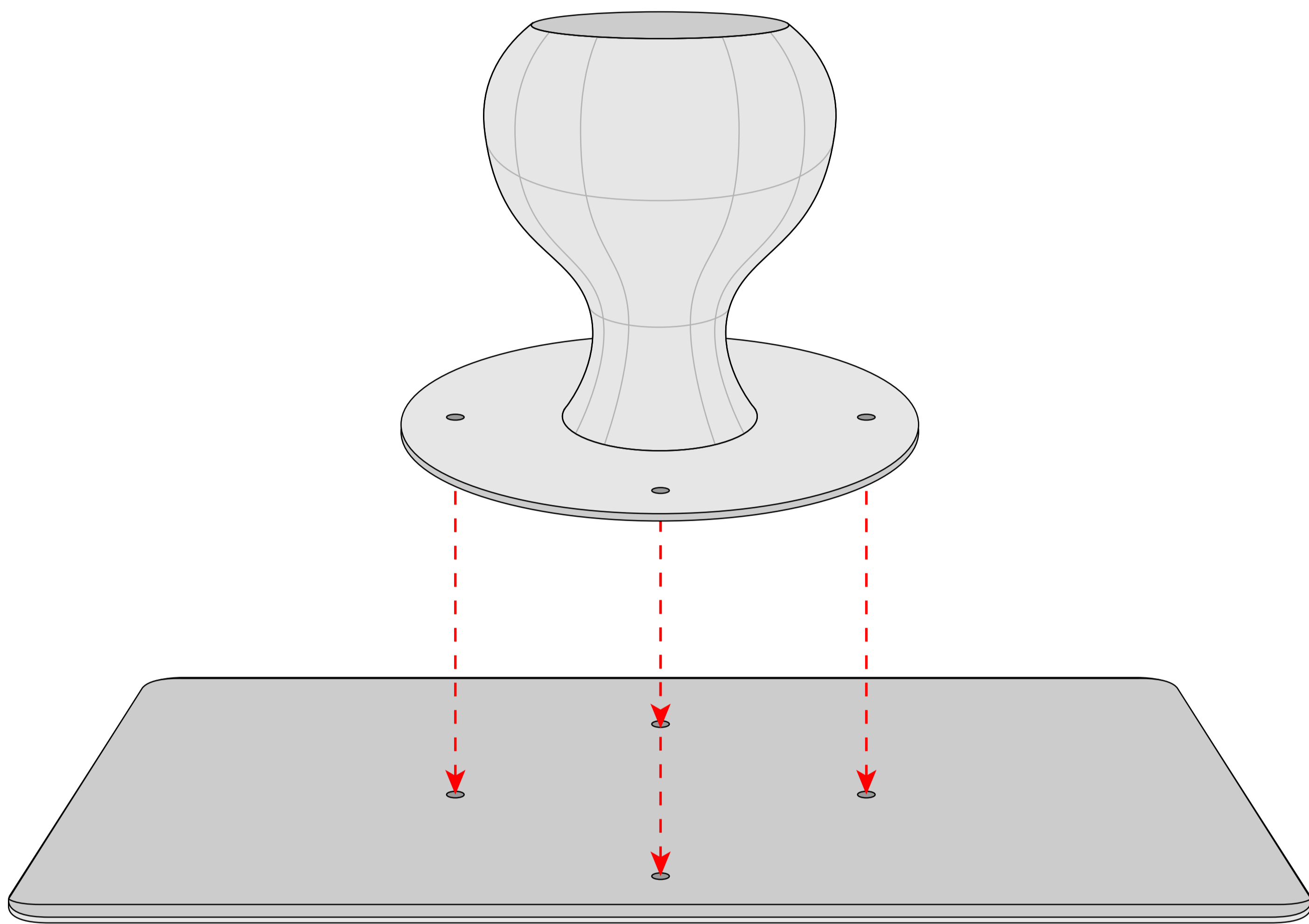


Non-slip rubber pad x3

The extra parts are for spare

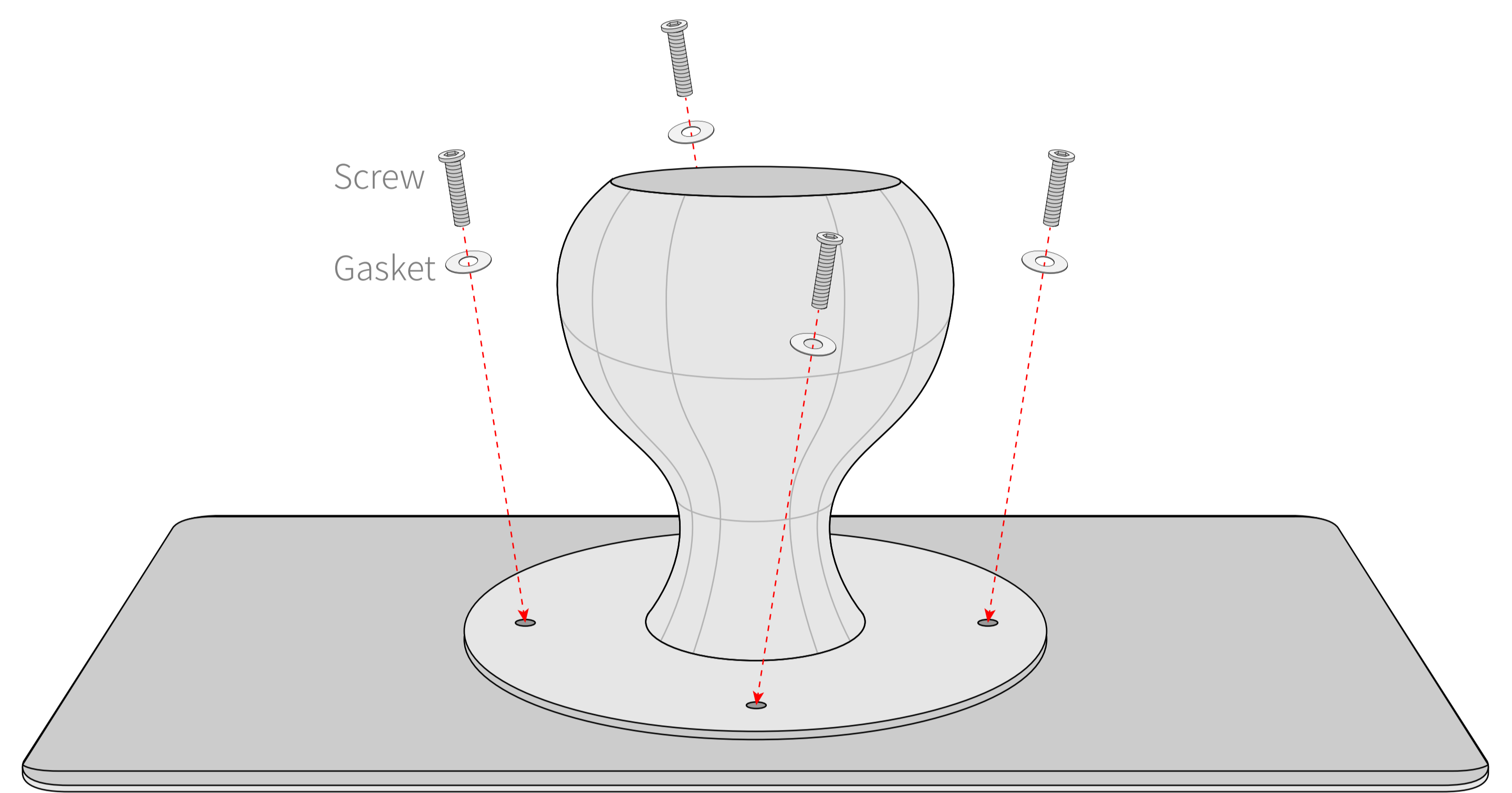
STEP 1

Place the "Table top" back side up, flat on the floor,
Place the "Base" back side up on the back of the "Table top",
Align the holes



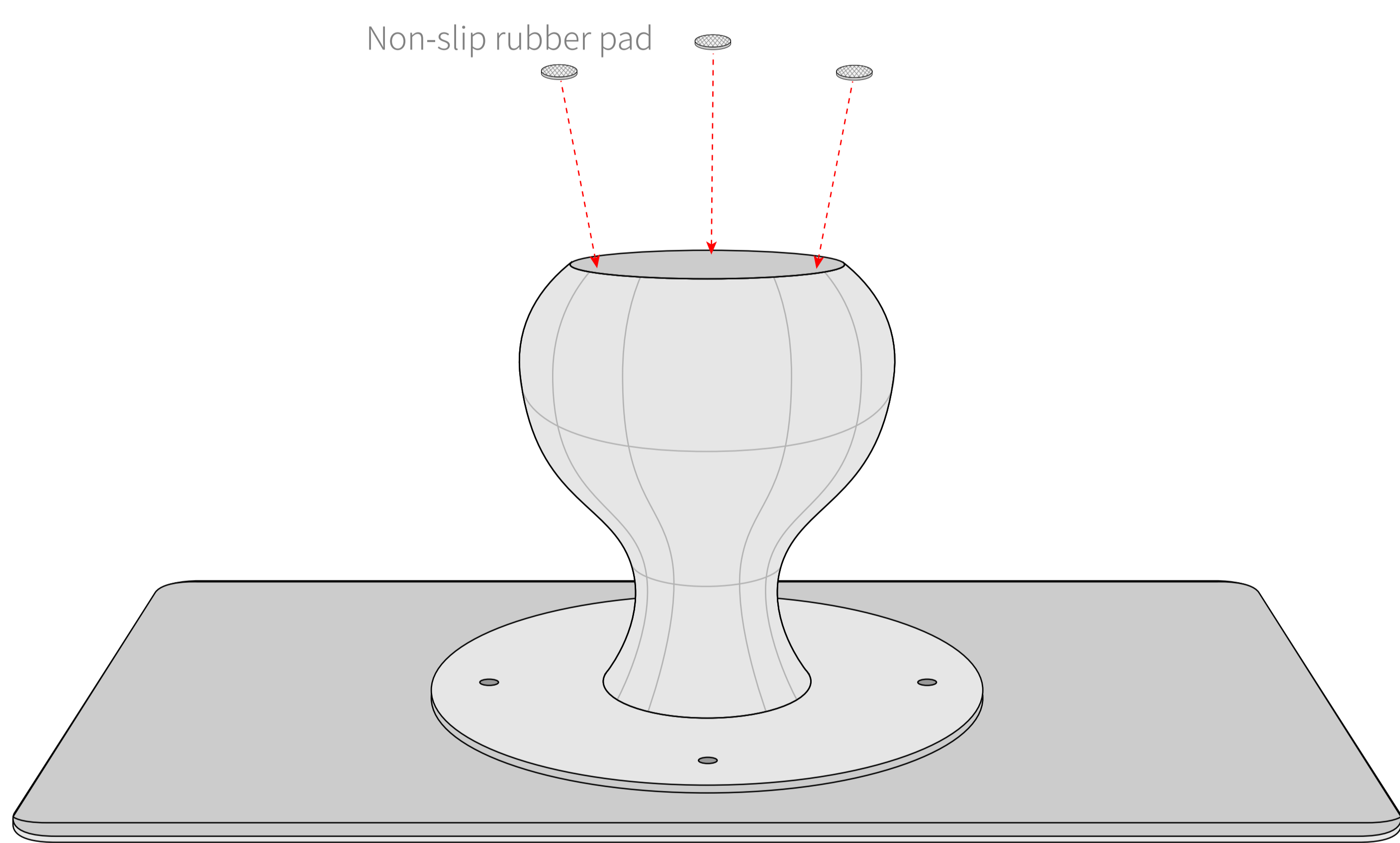
STEP 2

Secure with screws and a Gasket

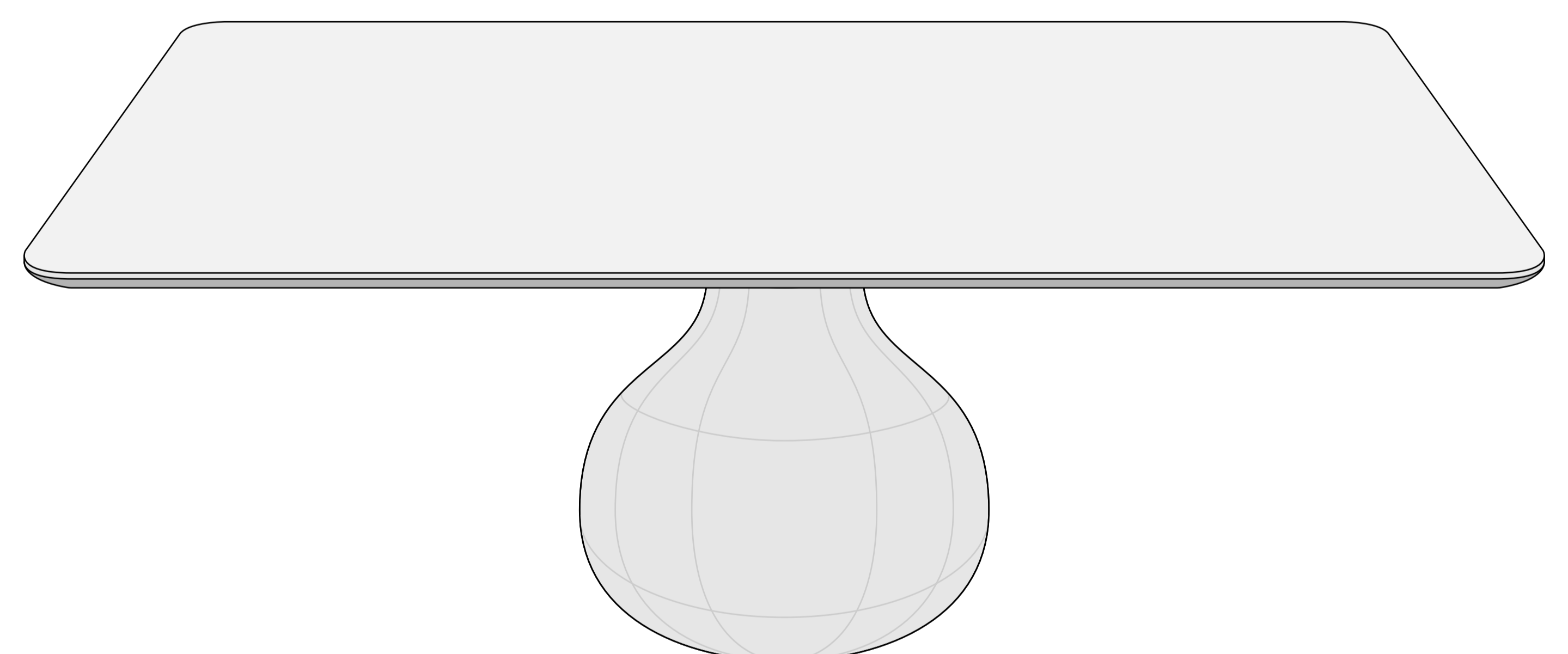


STEP 3

Install a Non-slip rubber pad at the bottom of the base



INSTALLATION COMPLETE



MARBLE CLEANING. MAINTENANCE. PRECAUTIONS

· REGULAR CLEANING:

The marble should be cleaned with special cleaning agents to avoid damaging the surface structure. In general, a neutral cleaner, such as alcohol or warm water, should be used and then wiped with a clean cloth to maximize the cleaning of the surface

· DECONTAMINATION:

To remove dirt on the marble, you can use a one-time wet, and then rinse it off with water. If there is oil, you can use dish soap, but be careful not to use too much, So as not to break the internal structure of the marble.

· MAINTENANCE:

The marble should be regularly maintained with paraffin wax to increase the surface light, and to effectively protect the surface from pollution erosion. In addition, it is also important to polish the marble regularly to maintain the finish and water resistance.

· NOTE:

When cleaning, note: do not use detergent containing acid components, do not use metal or other hard objects to clean the marble, so as not to wear the surface.