



33 35TH STREET, INDUSTRY CITY BLDG.5, A405, BROOKLYN, NY 11232
 T 212.355.0625 F 212.355.0628 WWW.OASIQ.COM



215-SR Sectional, Right

W 45 5/8" D 42 1/4" H 30 7/8"

AH 27" SH 9" OSH 13"

55.69 lbs

Teak & black PP webbing

Cushions: 215-SR-X

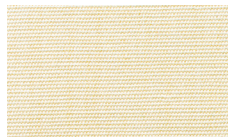
Seat cushion: L 25" W 29"/48" H 4"

Pillow: L 24" W 24" (2pcs/set)

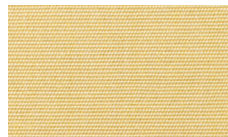
FABRIC AVAILABLE FOR ASTOR, HAMILTON, MADISON, DELANCEY & LIMITED COLLECTIONS



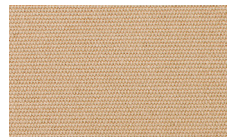
Canvas Natural 5404-0000



Canvas Vellum 5498-0000



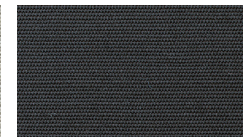
Canvas Wheat 5414-0000



Canvas Camel 5468-0000



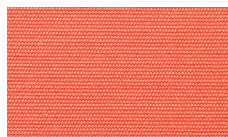
Canvas Granite 5402-0000



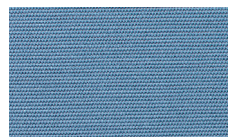
Canvas Black 5408-0000



Canvas Buttercup 5438-0000



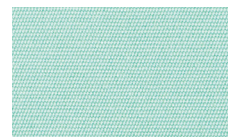
Canvas Melon 5415-0000



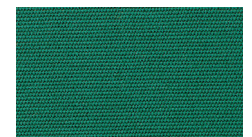
Canvas Sapphire Blue 5452-0000



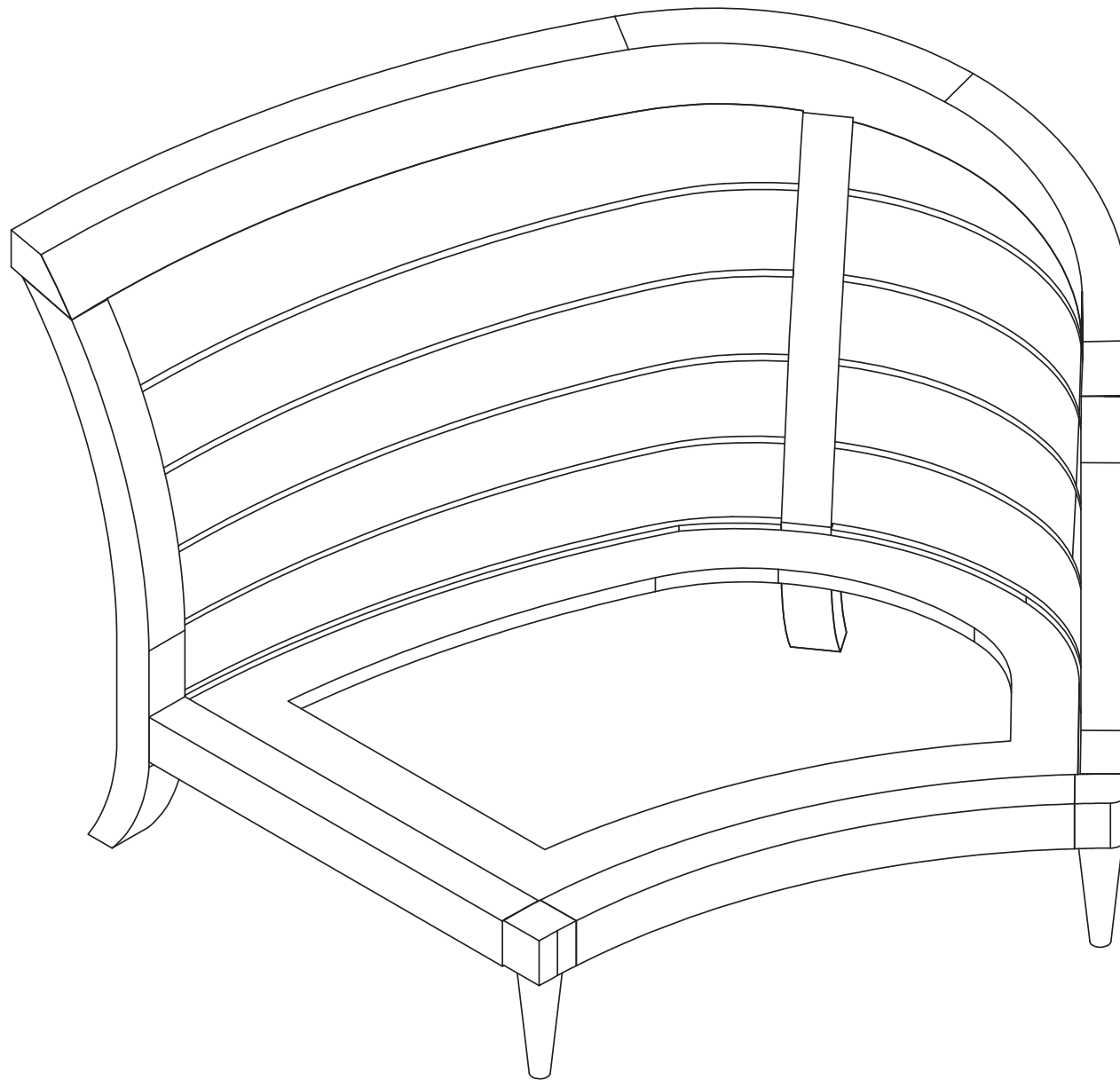
Canvas Sky Blue 5424-0000



Canvas Glacier 5428-0000



Canvas Forest Green 5446-0000



ISO VIEW

ISO

OASIQ

DWG.NO: FAEDG0002T-7

TITLE : ISO VIEW

DIM EXT: 1159.4x1071.7x783MM

MATERIAL: TAEK

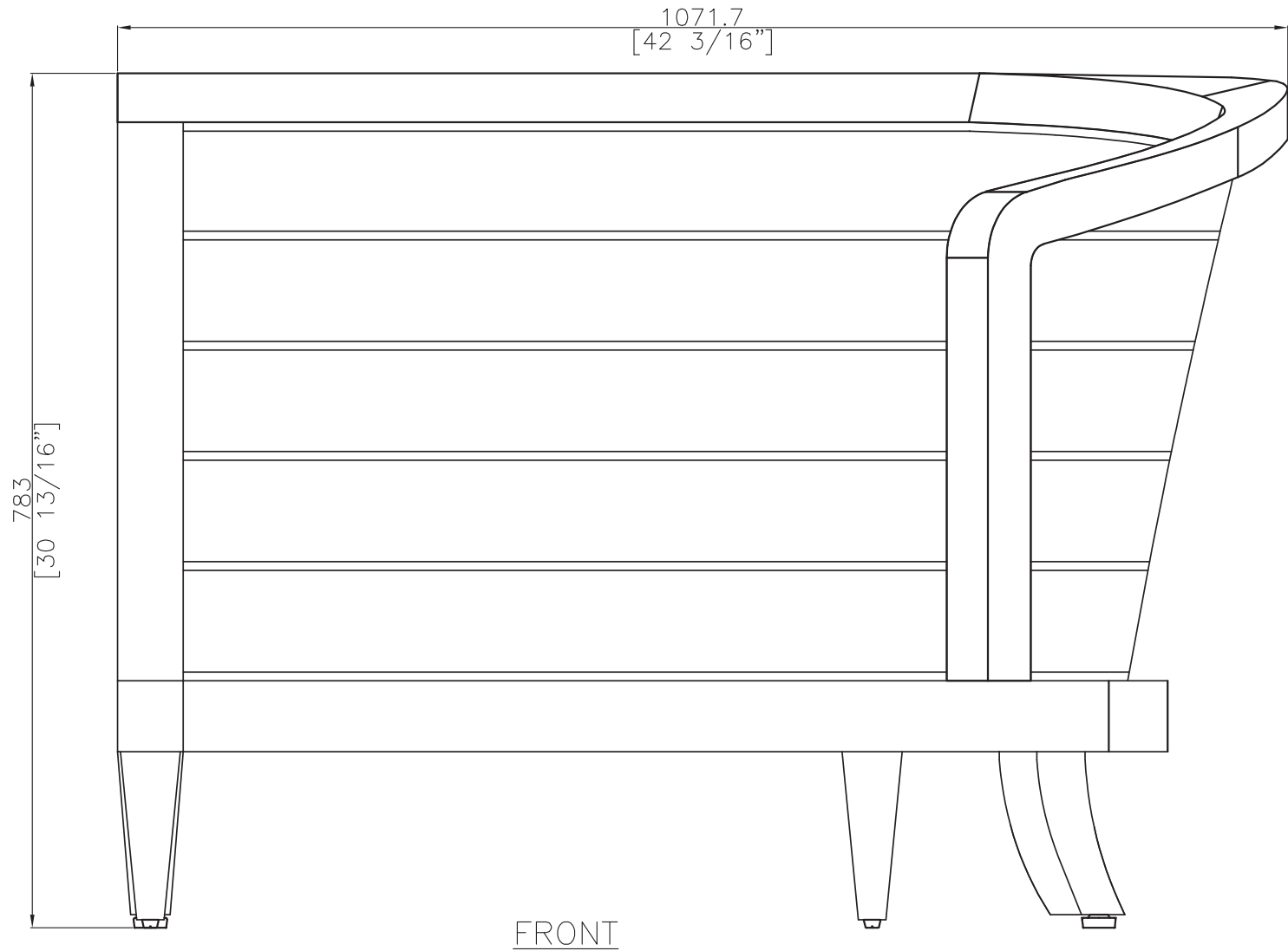
DRAWN BY : AEKCHAI

FINISH DATE : 18-01-07
BEGIN DATE : 11-10-06

AEK
AEK

SCALE : 1:1

P.3



EF

OASIQ

DWG.NO: FAEDG0002T-7

TITLE : FRONT

DIM EXT: 1159.4x1071.7x783MM

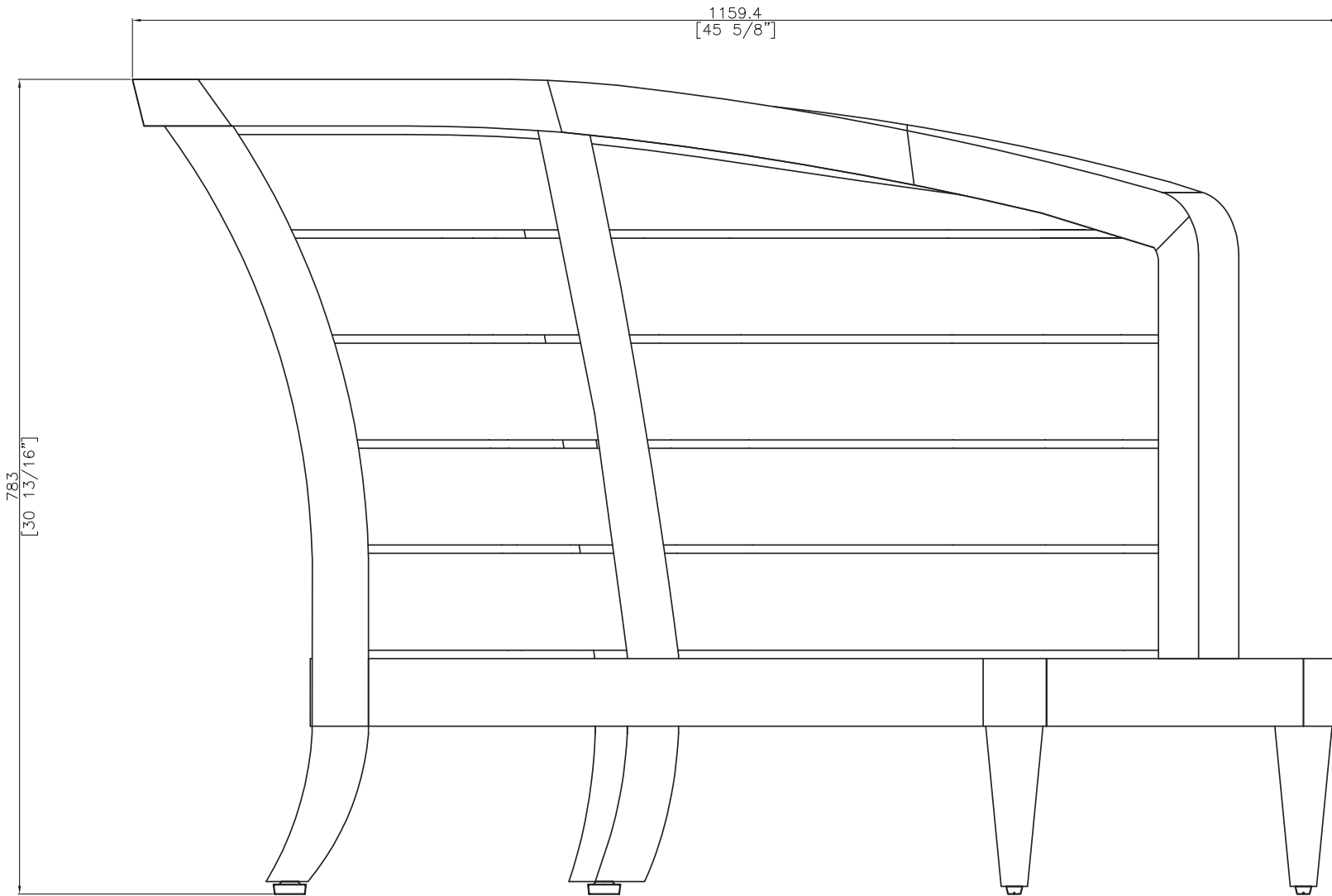
MATERIAL: TEAK

DRAWN BY : AEKCHAI

FINISH DATE :11-06-07	AEK
BEGIN DATE : 11-10-06	AEK

SCALE : 1:1

P.5



SIDE

ES

OASIQ

DWG.NO: FAEDG0002T-7

TITLE : SIDE

DIM EXT: 1159.4x1071.7x783MM

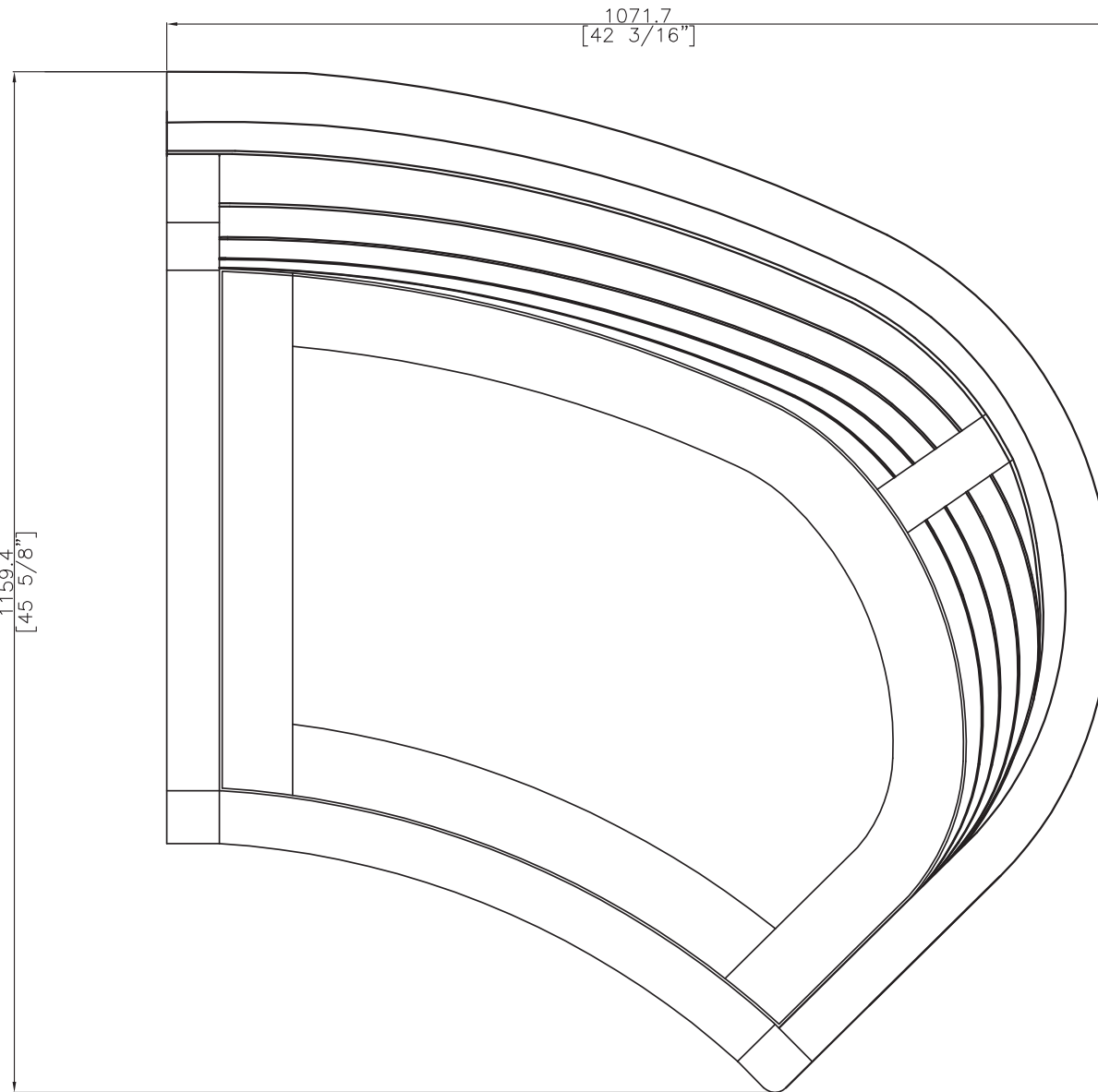
MATERIAL: TEAK

DRAWN BY : AEKCHAI

FINISH DATE :11-06-07	AEK
BEGIN DATE : 11-10-06	AEK

SCALE : 1:1

P.6



TOP

ET

OASIQ

DWG.NO: FAEDG0002T-7

TITLE : TOP

DIM EXT: 1159.4x1071.7x783MM.

MATERIAL: TAEK

DRAWN BY : AEKCHAI

FINISH DATE : 18-01-07	AEK
BEGIN DATE : 11-10-06	AEK

SCALE : 1:1

P.4