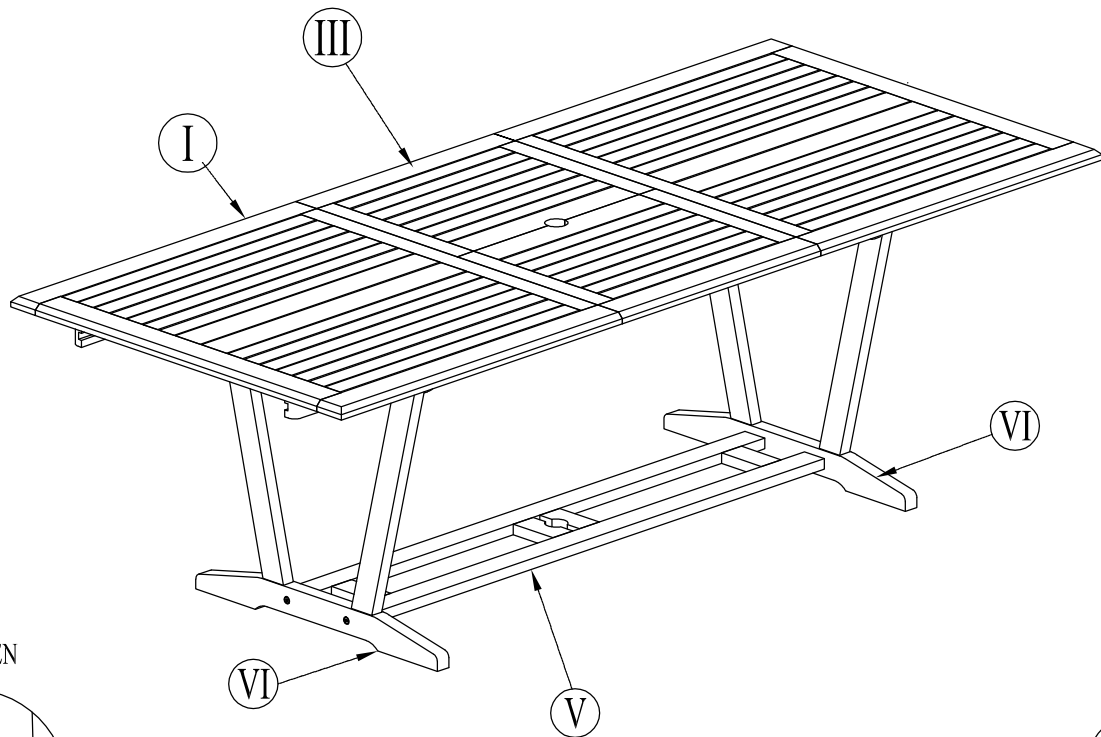
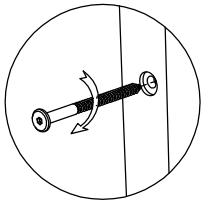


Weight capacity : 100kgs/ 220 Lbs

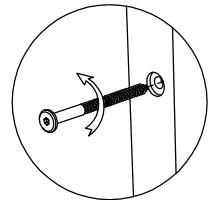




TIGHTEN

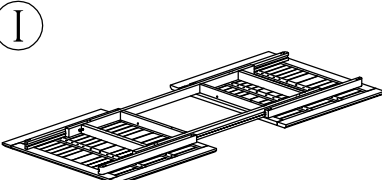
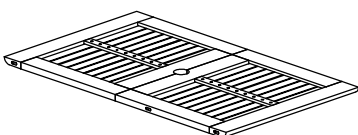
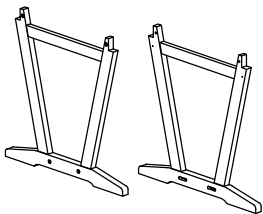
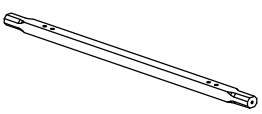
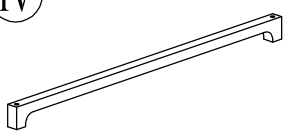
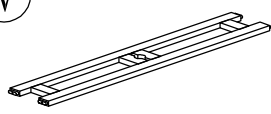
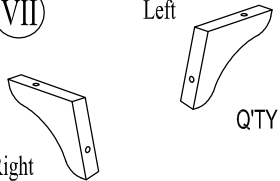


LOOSEN






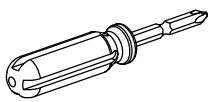


NOTE: 50% TIGHTEN BEFORE FIXING ALL BOLTS & SCREWS

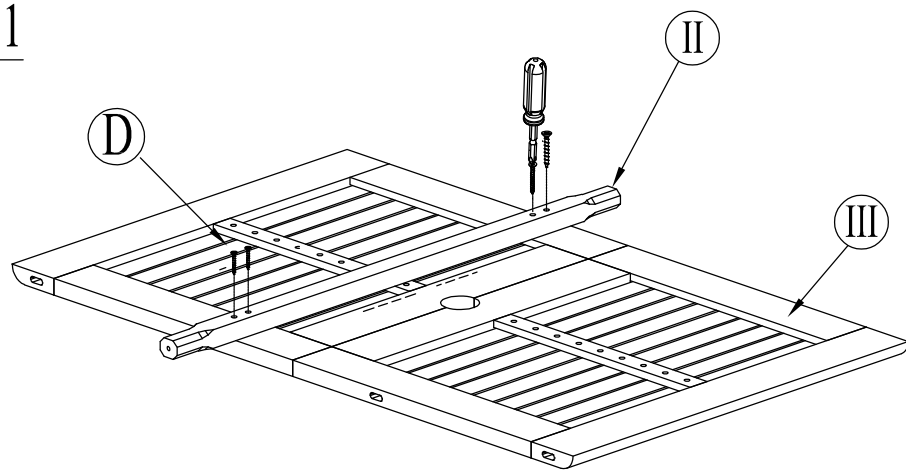
### COMPONENTS LIST

 <p>I</p> <p>Q'TY 1</p>	 <p>III</p> <p>Q'TY 1</p>	 <p>VI</p> <p>Q'TY 2</p>	
 <p>II</p> <p>Q'TY 1</p>	 <p>IV</p>	 <p>V</p> <p>Q'TY 1</p>	 <p>VII</p> <p>Left</p> <p>Right</p> <p>Q'TY 2</p>

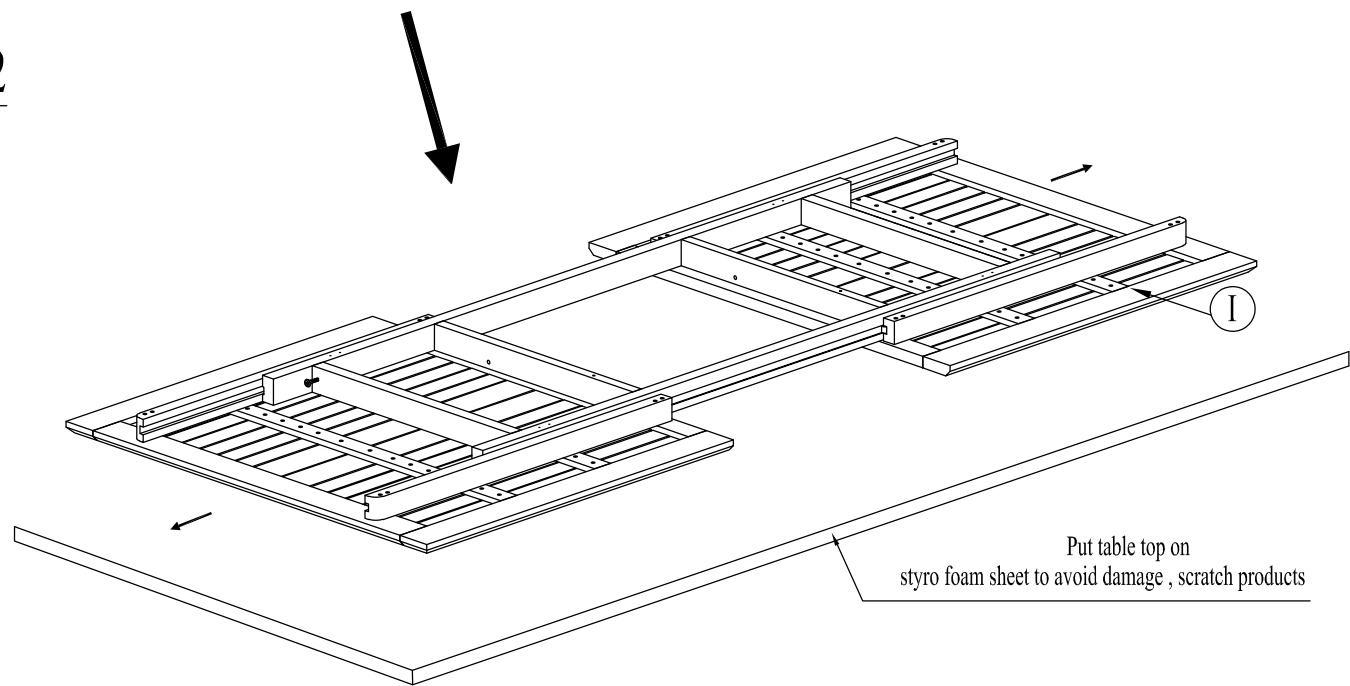
### HARDWARE LIST

A		14	Screw 7x50	D		4	Screw 4x40
B		2	Screw 7x70	E		2	Allen Key
C		4	Screw 7x90	Supporting tools Screw driver			

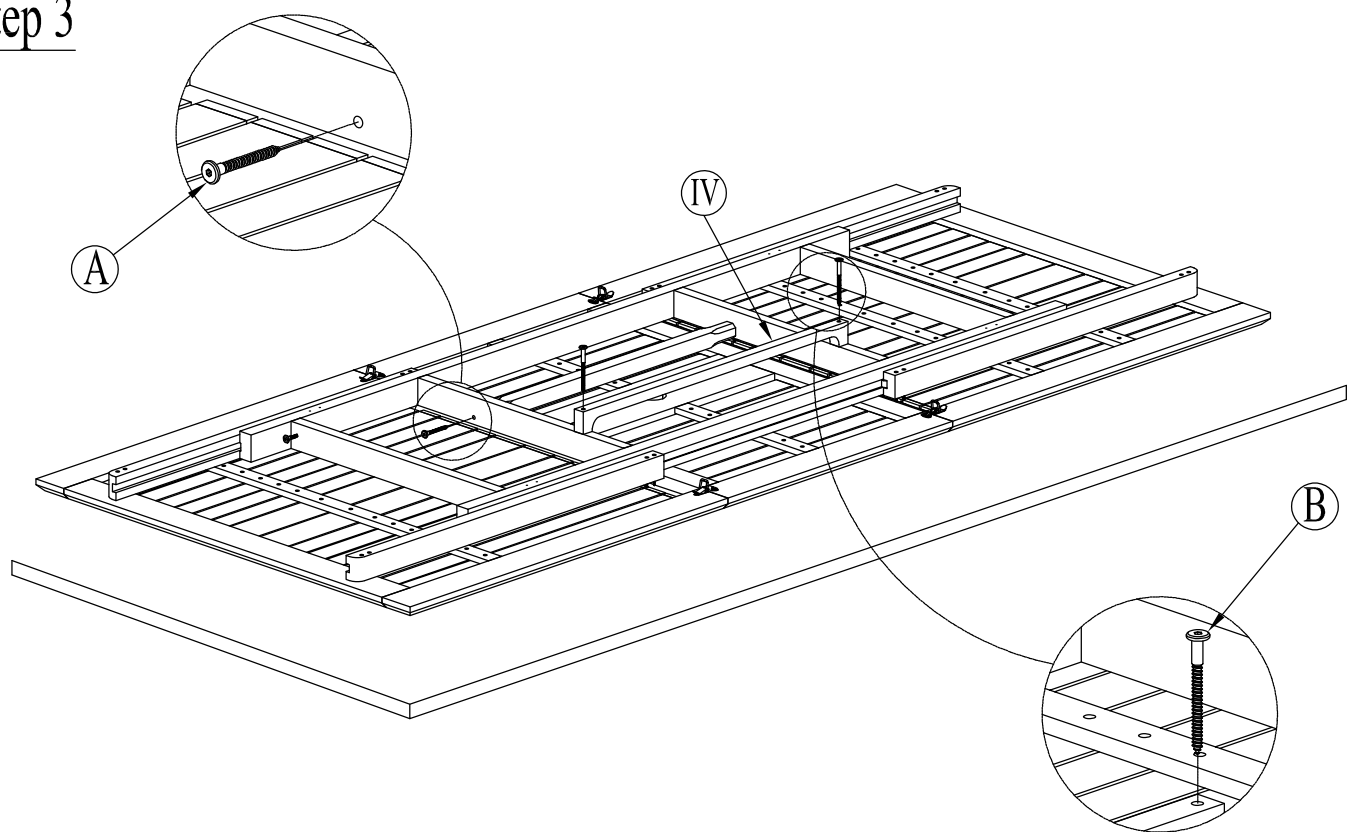
# Step 1



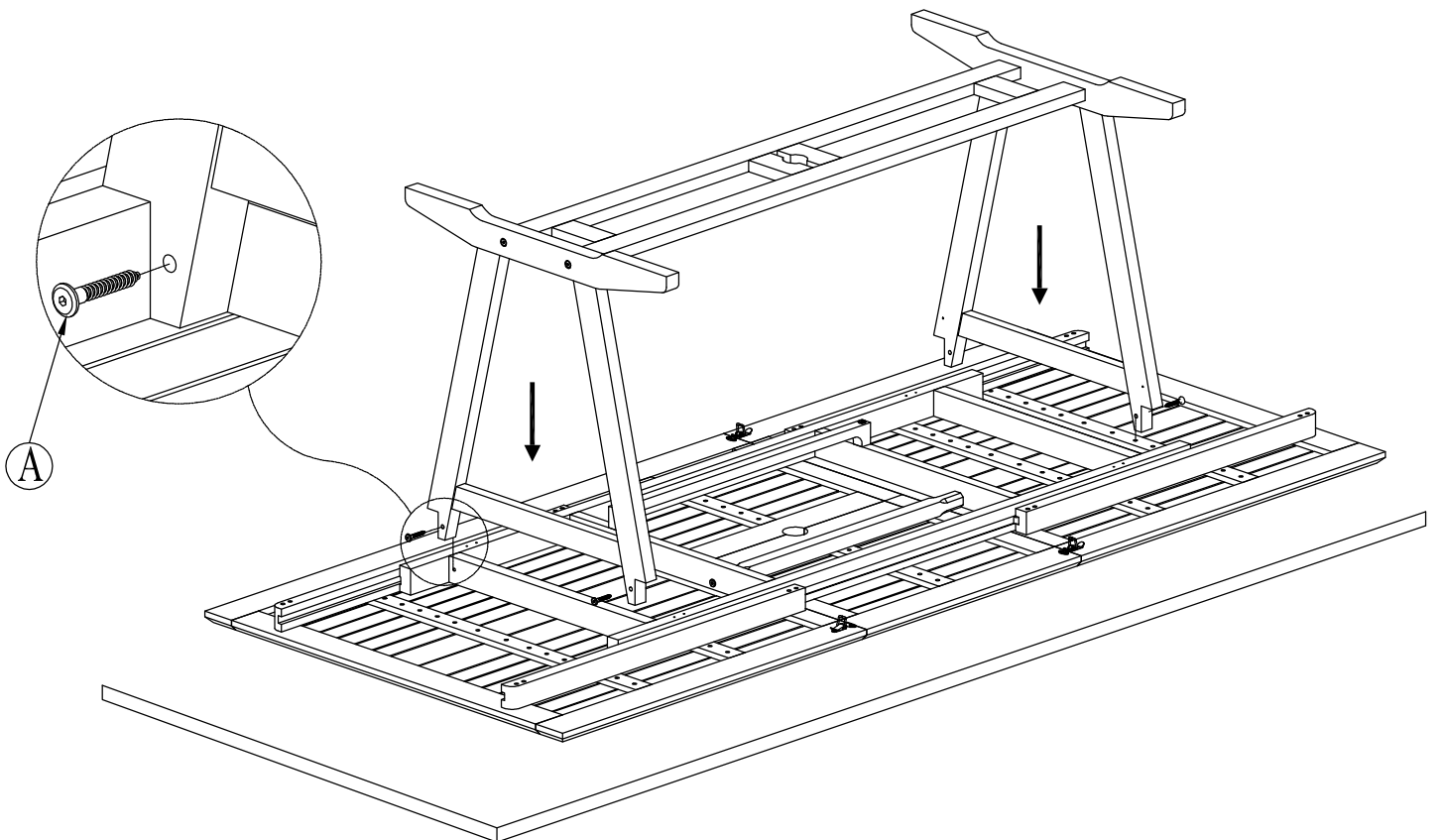
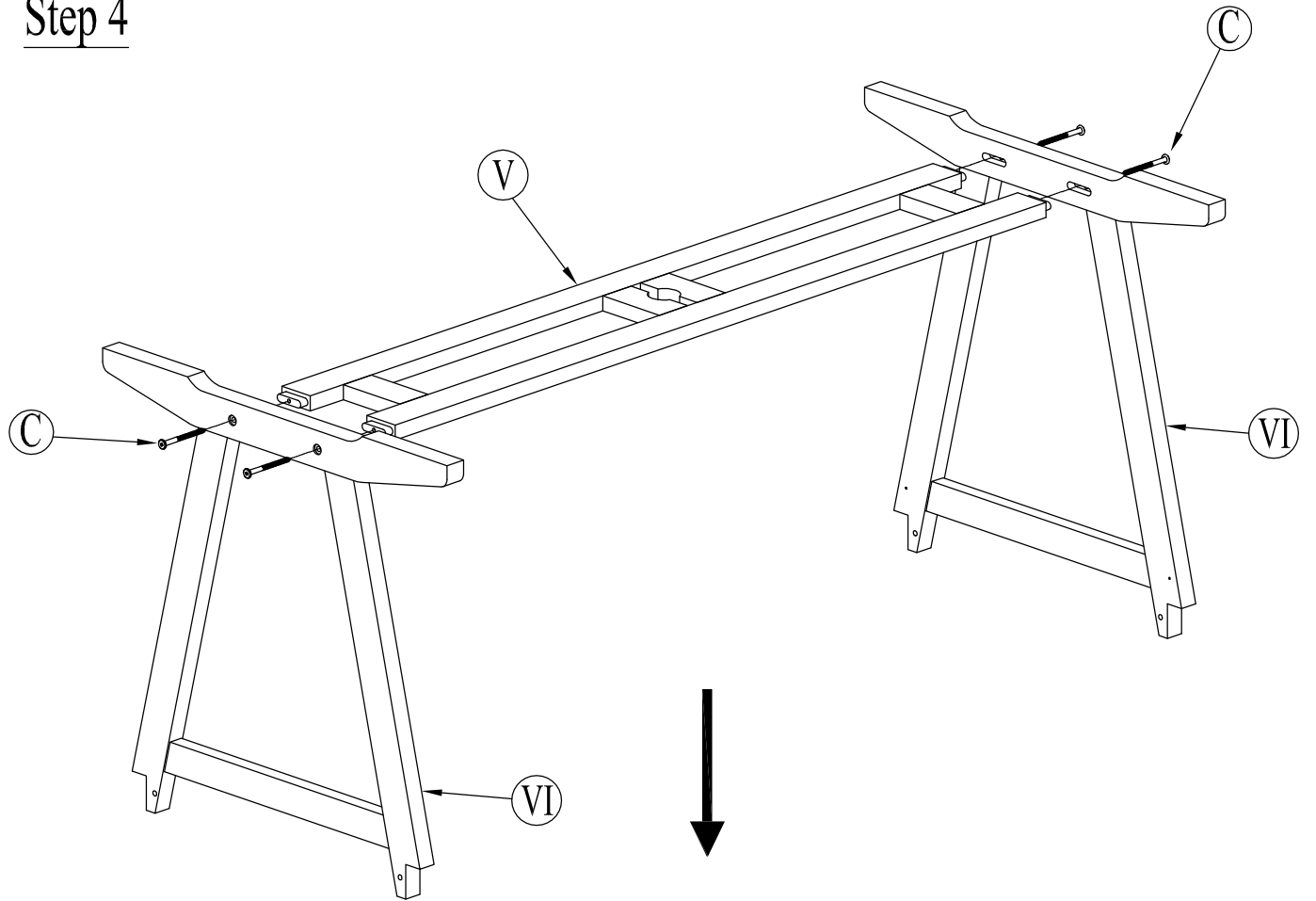
# Step 2



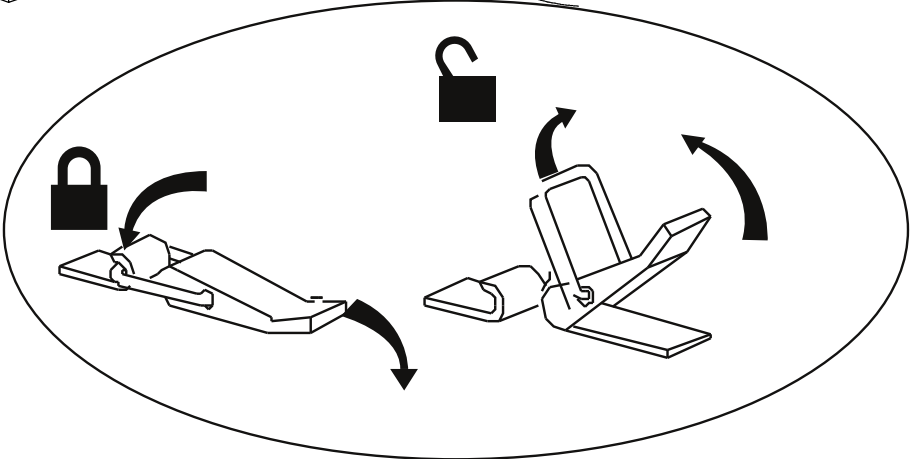
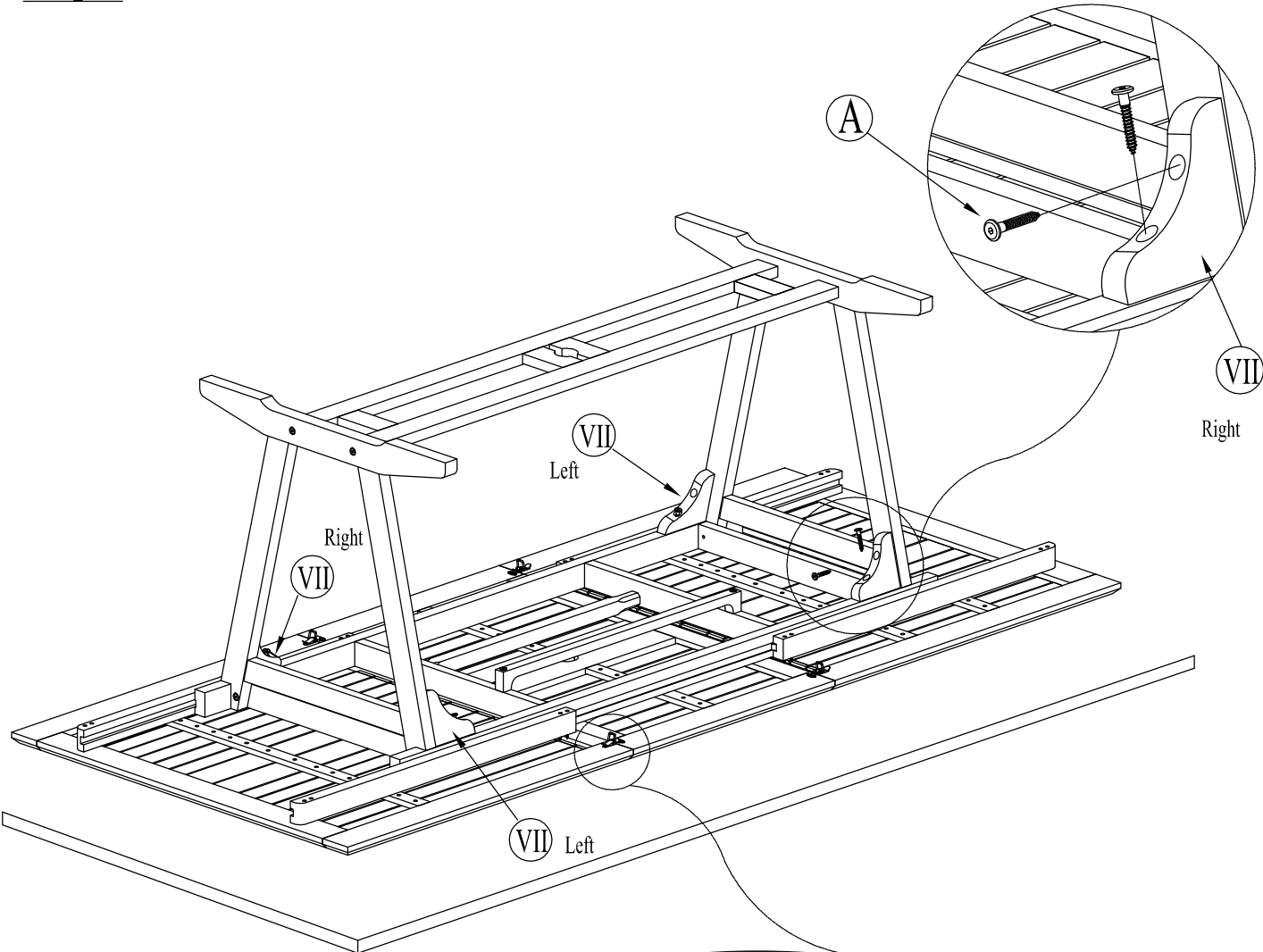
# Step 3



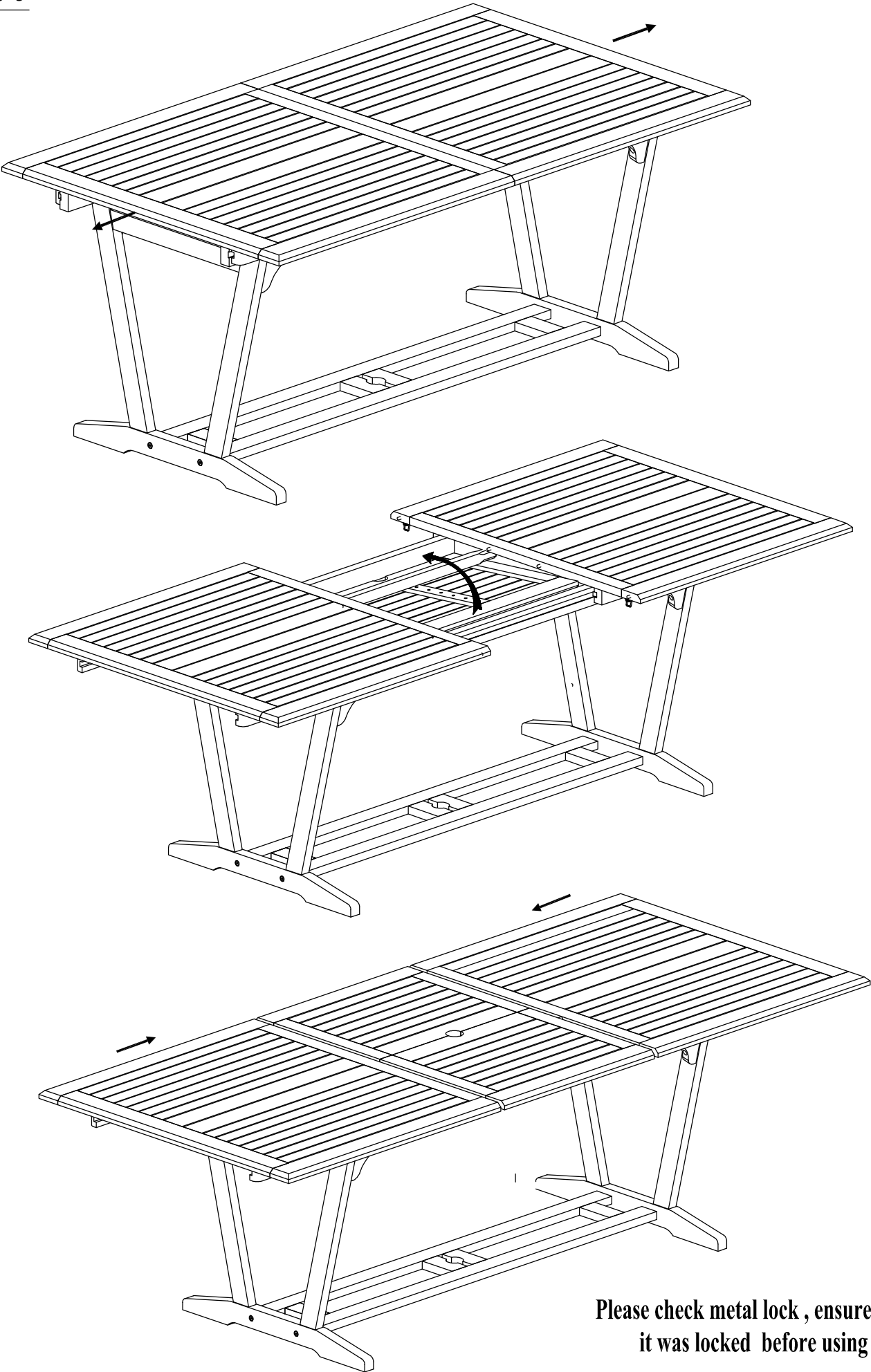
Step 4



Step 5



Step 5



**Please check metal lock , ensure that it was locked before using**