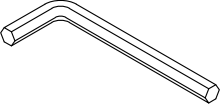
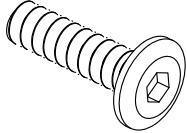
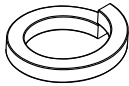
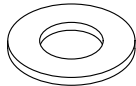

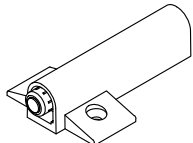
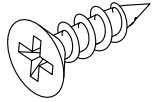
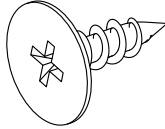
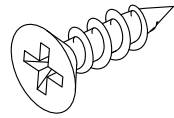
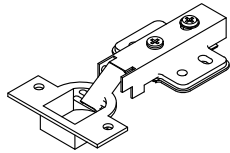
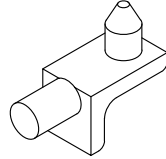



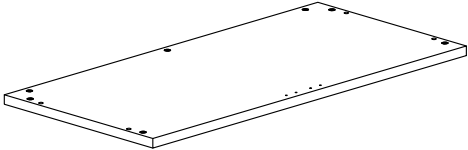
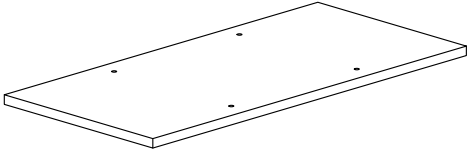
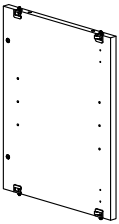
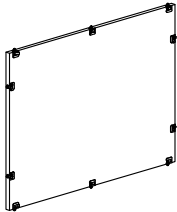
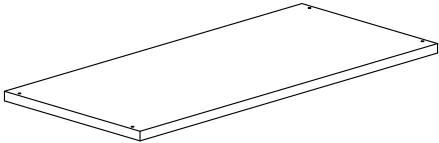
**HARDWARE LIST:**

LABEL	PICTURE	DESCRIPTION	QTY
A		ALLEN KEY ( $\phi 4$ )	1PC
B		SCREW (M6*55)	12PCS
C		NUT (M6)	12PCS
D		WASHER ( $\phi 16-\phi 6*1.5$ )	12PCS
E		WOOD PLUG ( $\phi 8*40$ )	8PCS
F		REBOUND DEVICE (74*44*19)	2PCS

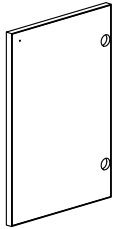
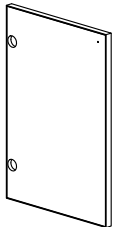
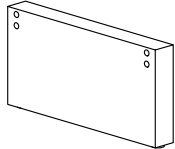

**HARDWARE LIST:**

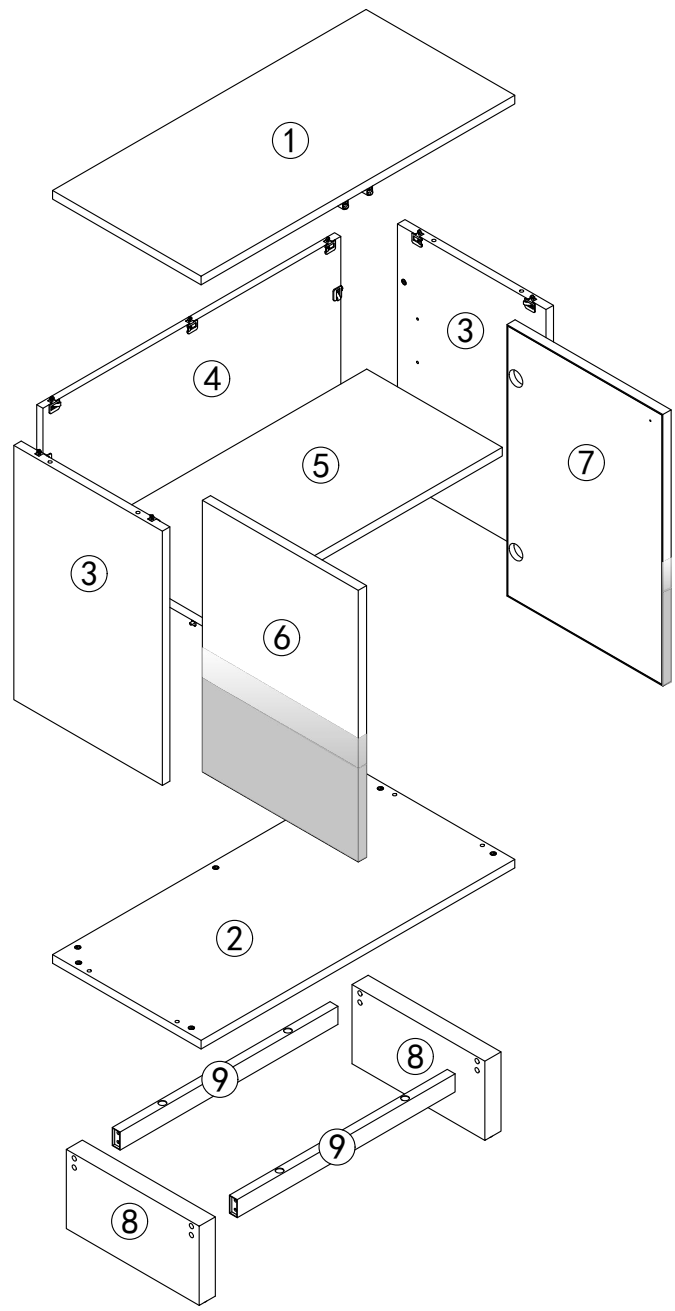
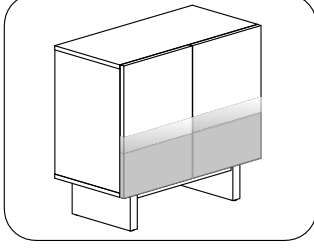
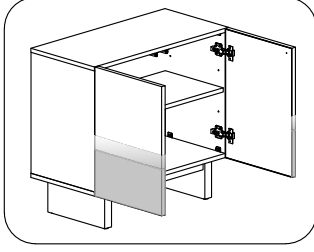
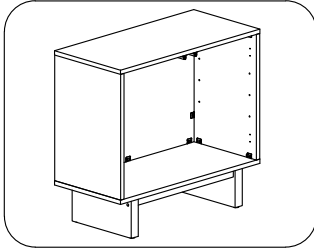
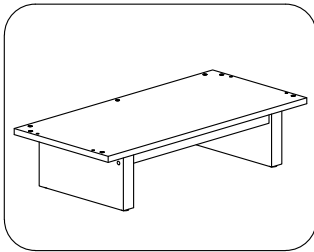
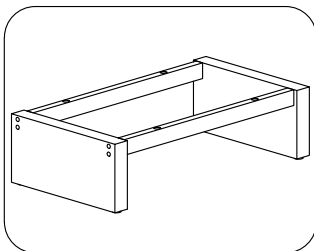
LABEL	PICTURE	DESCRIPTION	QTY
G		SCREW (M3.5*10)	4PCS
H		SCREW ( $\phi 12-M4*10$ )	2PCS
I		SCREW (M4*16)	24PCS
J		FULL OVERLAY HINGE ( $\phi 35$ )	4PCS
K		SHELF SUPPORT (21*16*9)	4PCS
L		TIPPING RESTRAIN	2PCS

**PART LIST:**

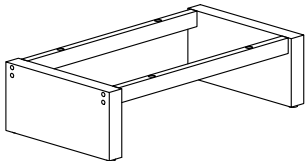
LABEL	PICTURE	DESCRIPTION	QTY
1		TOP PANEL	1PC
2		BOTTOM PANEL	1PC
3		SIDE PANEL	2PCS
4		BACK PANEL	1PC
5		ADJUSTABLE SHELF	1PC

**PART LIST:**

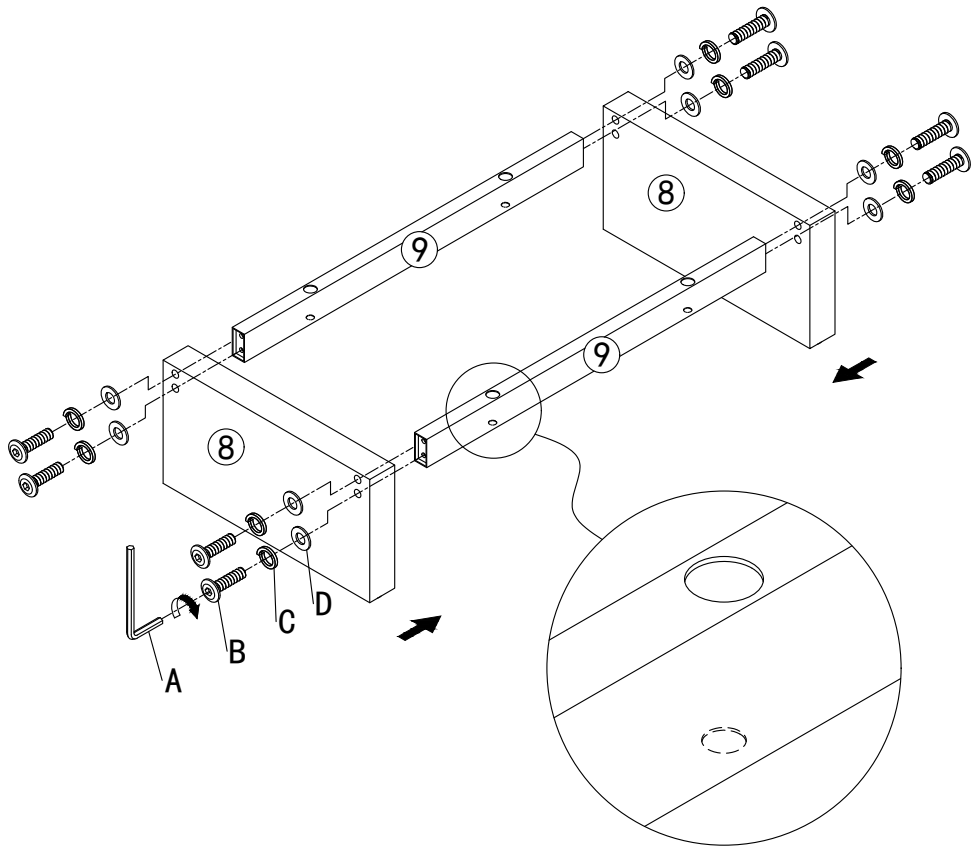
LABEL	PICTURE	DESCRIPTION	QTY
6		LEFT DOOR	1PC
7		RIGHT DOOR	1PC
8		LEG	2PCS
9		CONNECTING BAR	2PCS



STEP 1

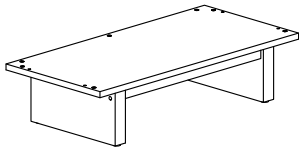


LABEL	PICTURE	QTY
A		1PC
B		8PCS
C		8PCS
D		8PCS

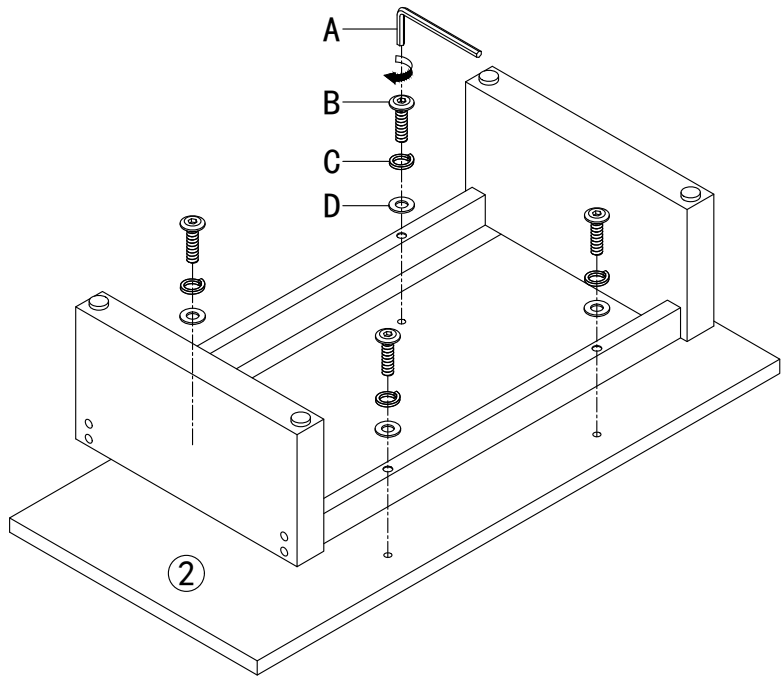


Keep the large hole upward.

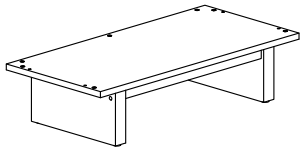
STEP 2



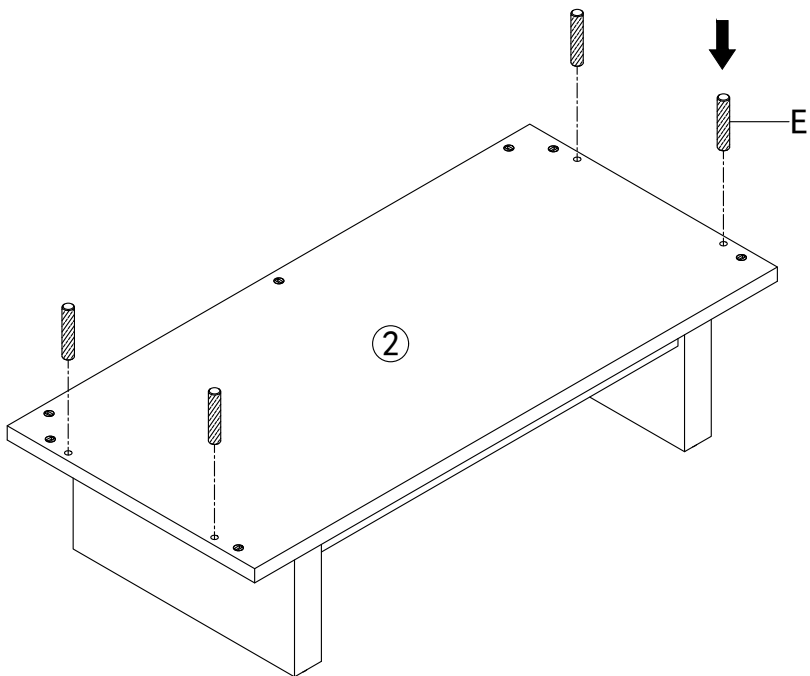
LABEL	PICTURE	QTY
A		1PC
B		4PCS
C		4PCS
D		4PCS



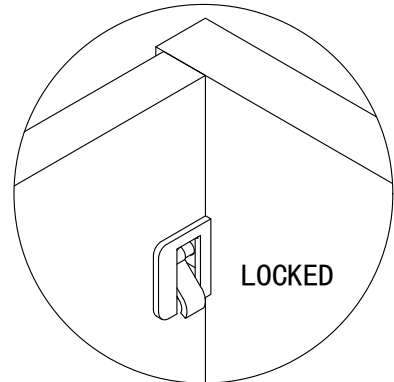
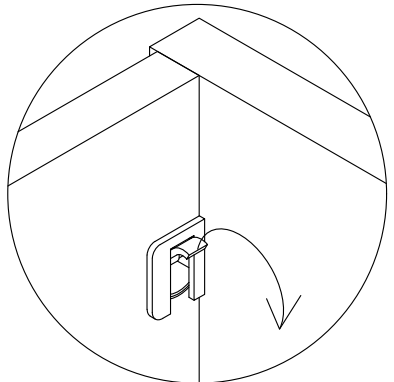
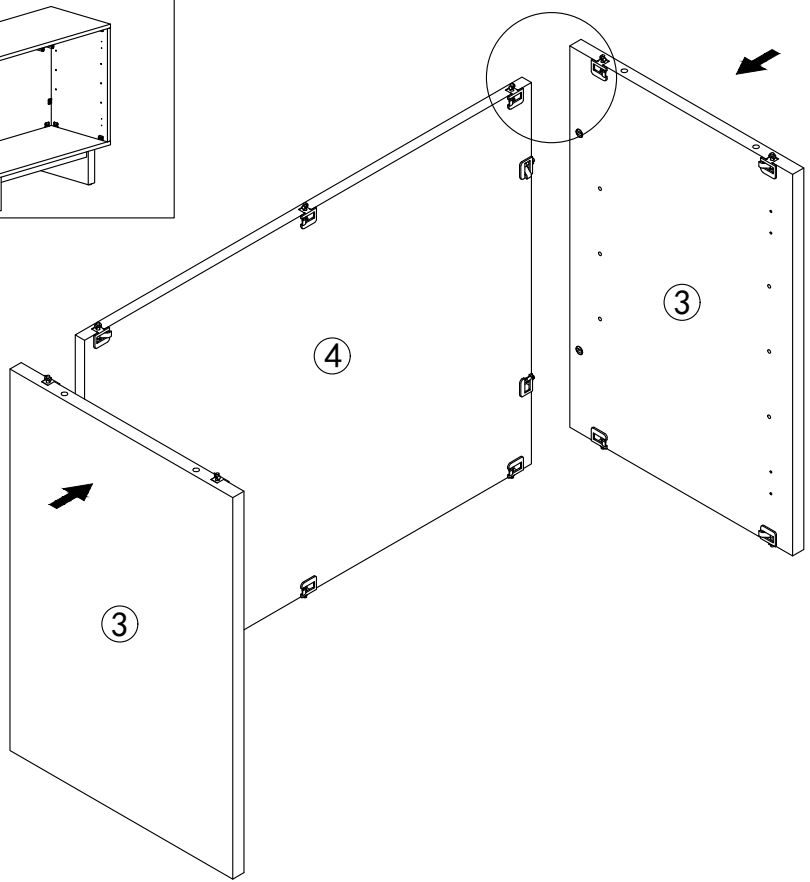
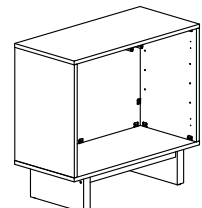
STEP 3



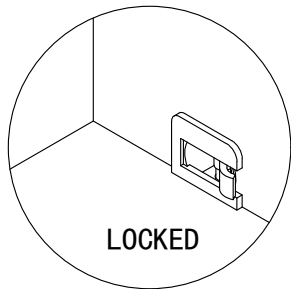
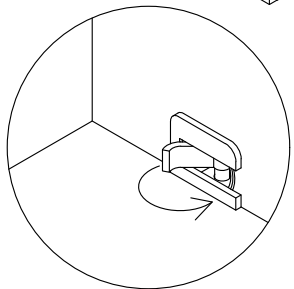
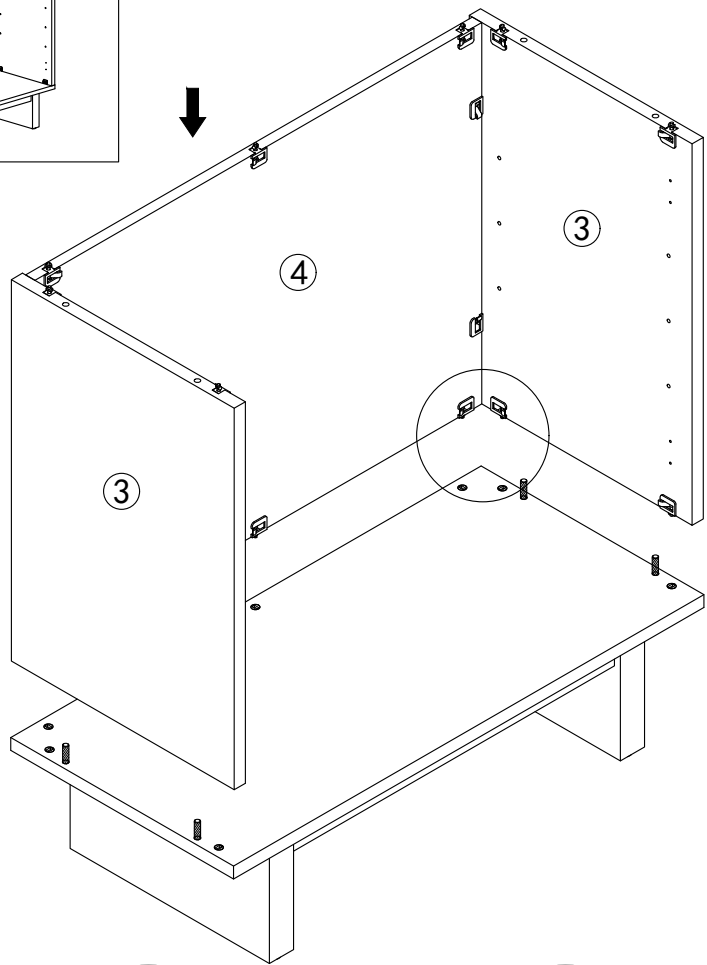
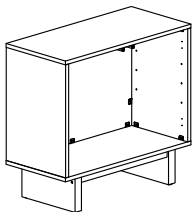
LABEL	PICTURE	QTY
E		4PCS



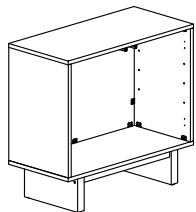
STEP 4



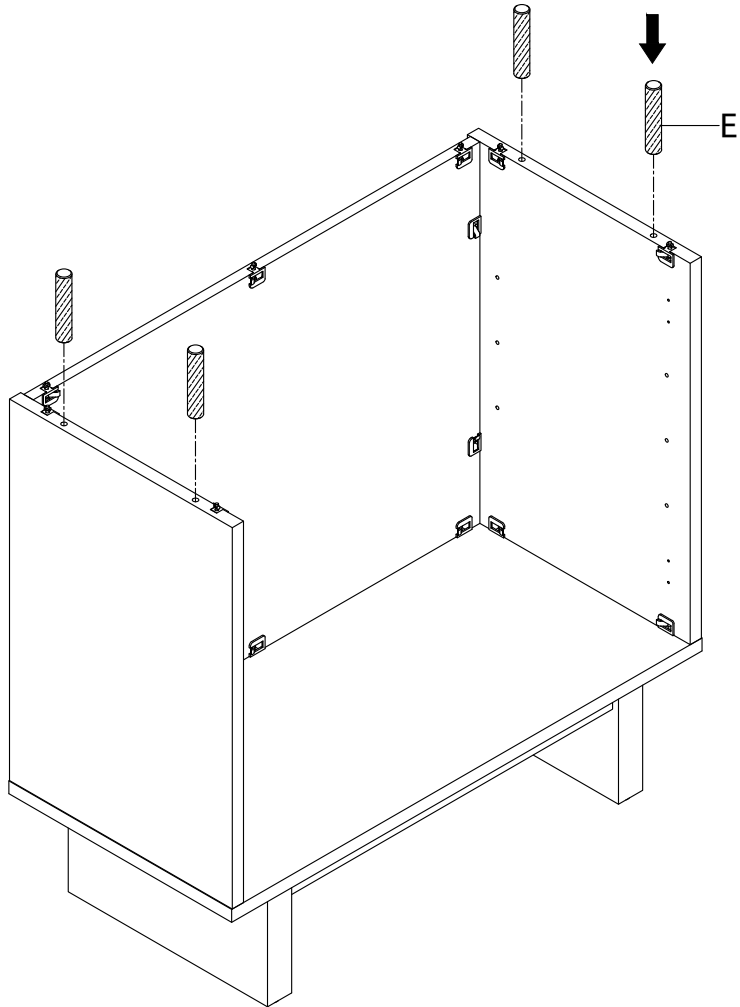
STEP 5



STEP 6

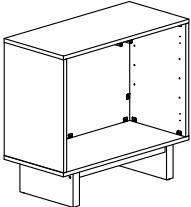


LABEL	PICTURE	QTY
E		4PCS

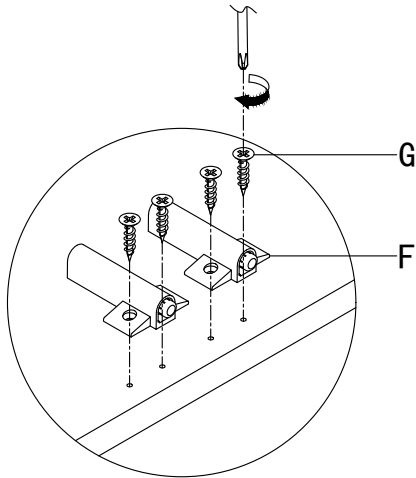
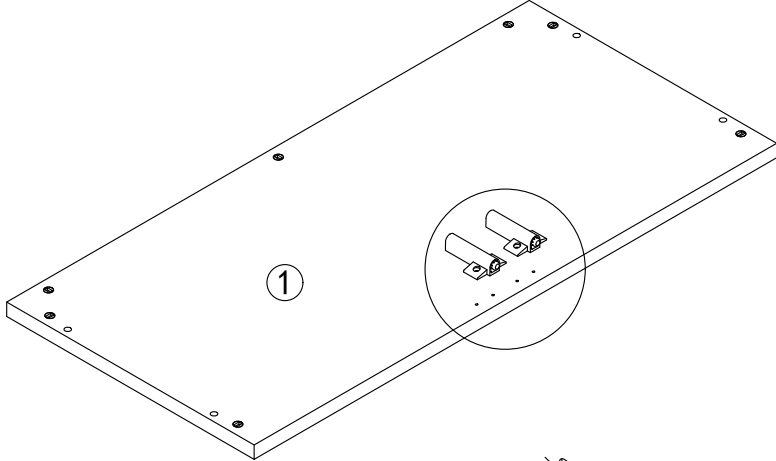


E

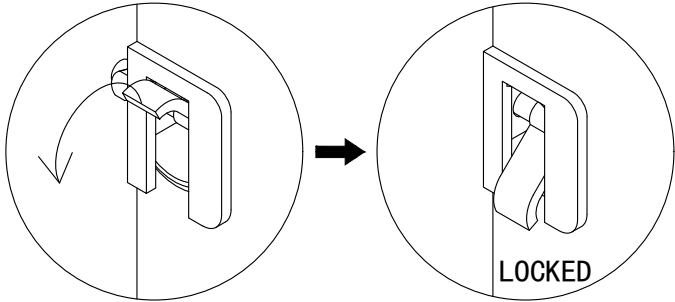
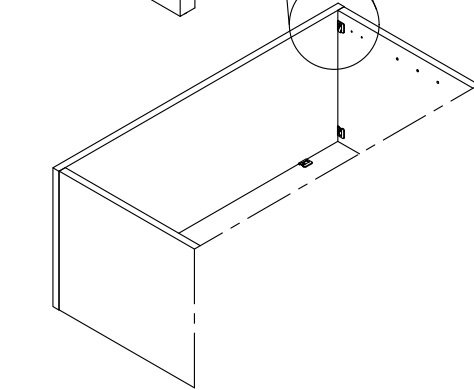
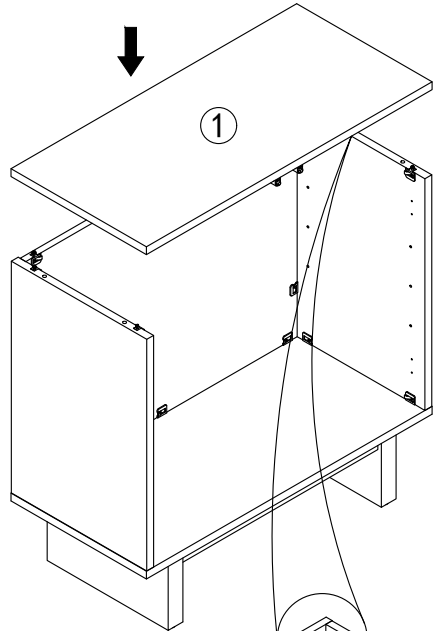
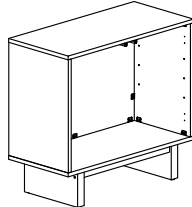
STEP 7



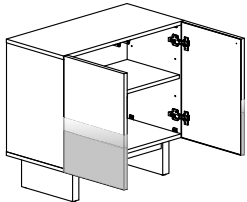
LABEL	PICTURE	QTY
F		2PCS
G		4PCS



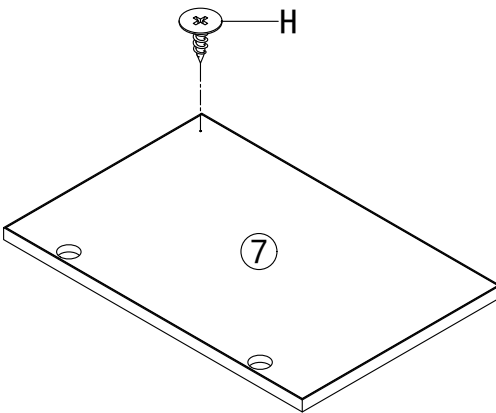
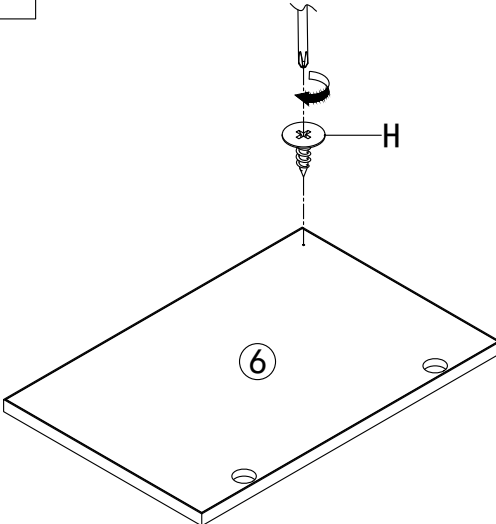
STEP 8



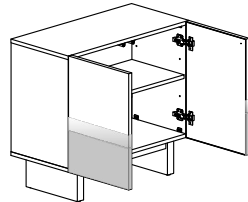
STEP 9





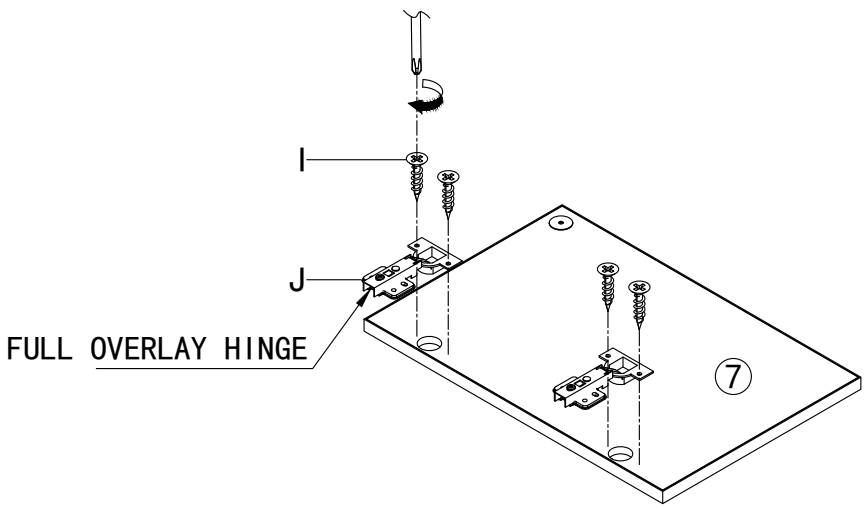
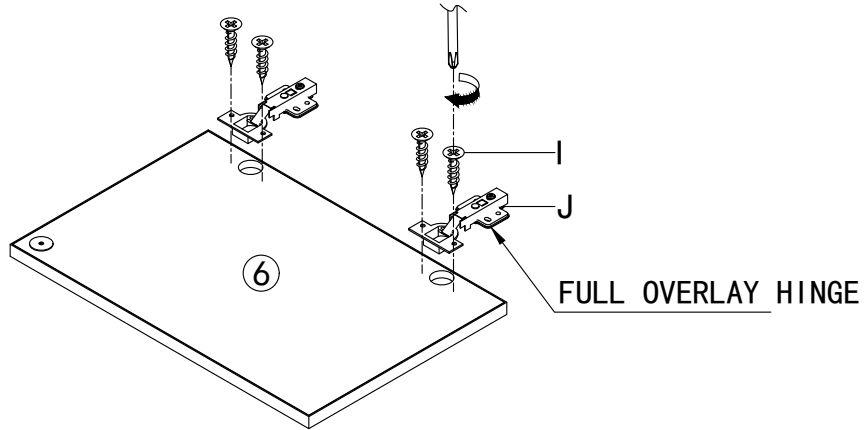
LABEL	PICTURE	QTY
H		2PCS



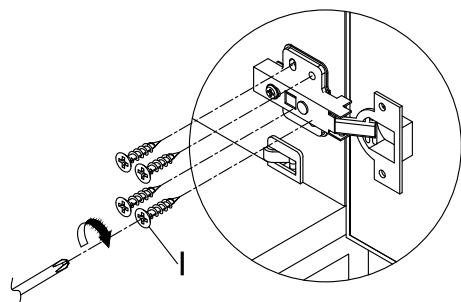
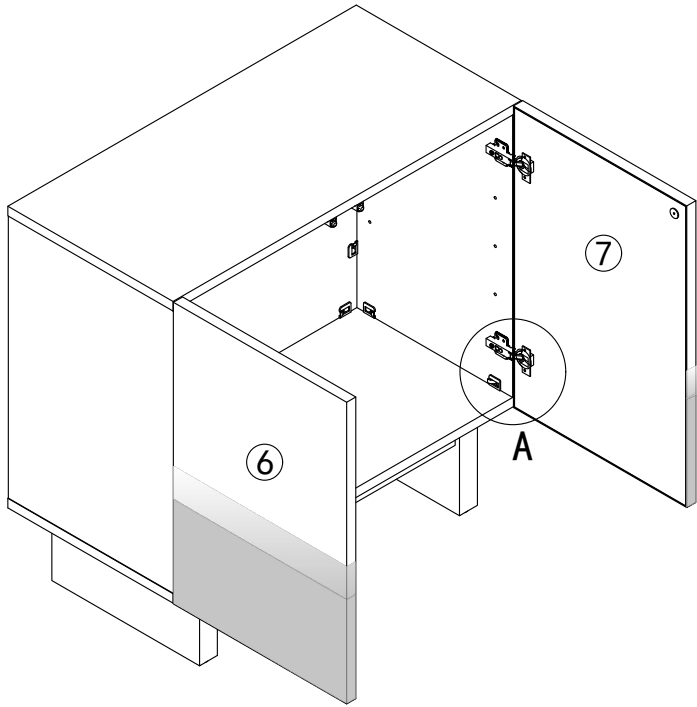
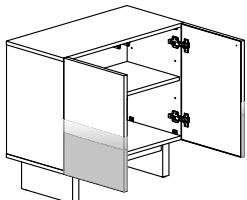
STEP 10



LABEL	PICTURE	QTY
I		8PCS
J		4PCS



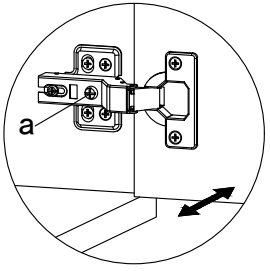
STEP 11



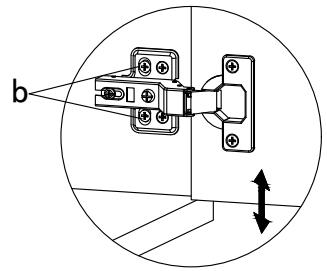
DETAIL A

LABEL	PICTURE	QTY
I		16PCS

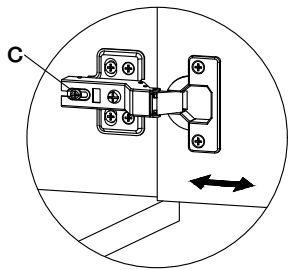
DOOR FITTING



To adjust in width

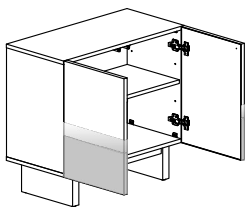


To adjust in height

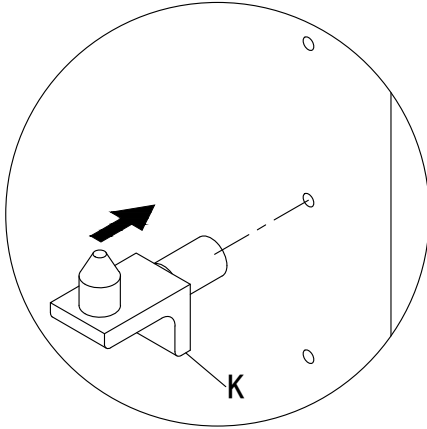
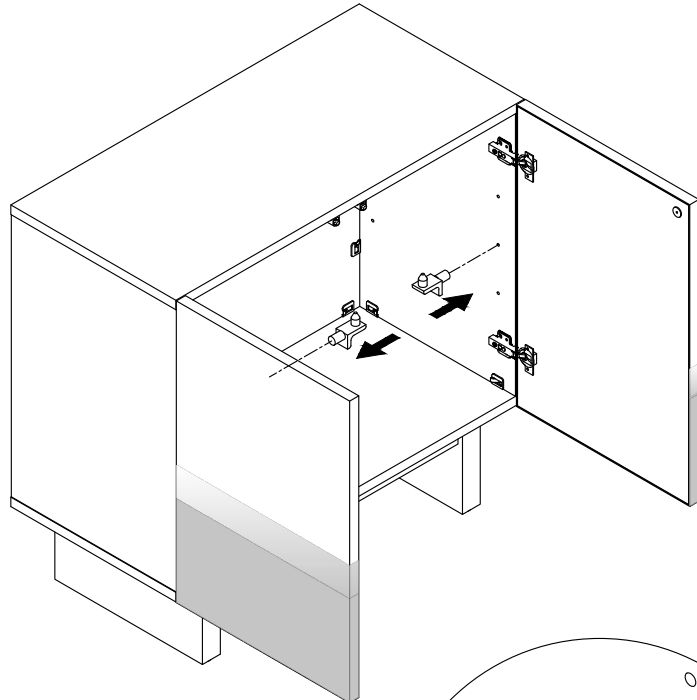


To adjust in depth

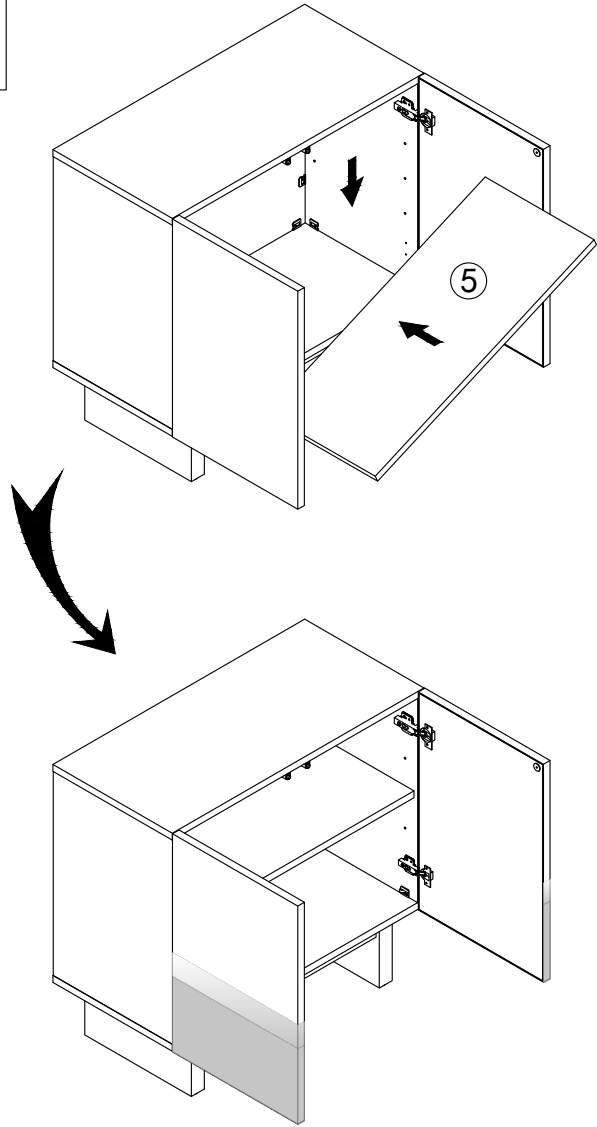
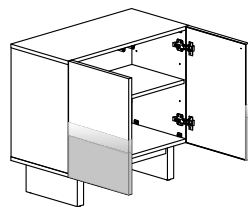
STEP 12



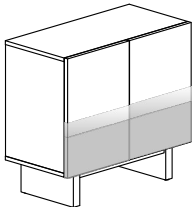
LABEL	PICTURE	QTY
K		4PCS



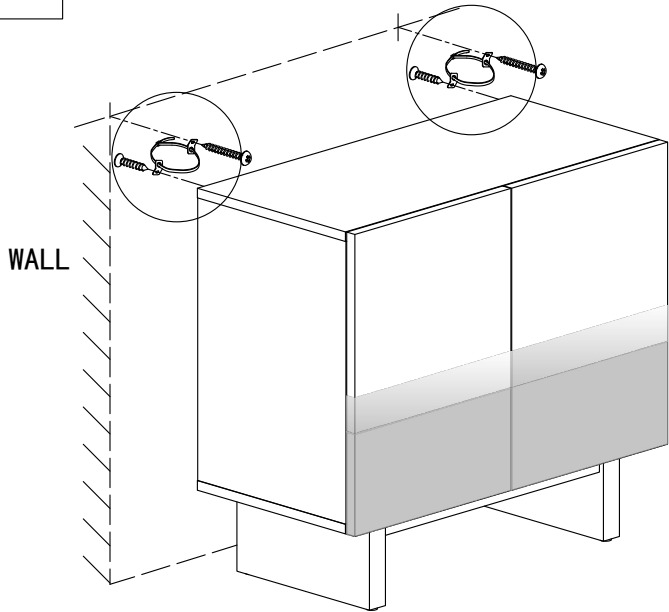
STEP 13



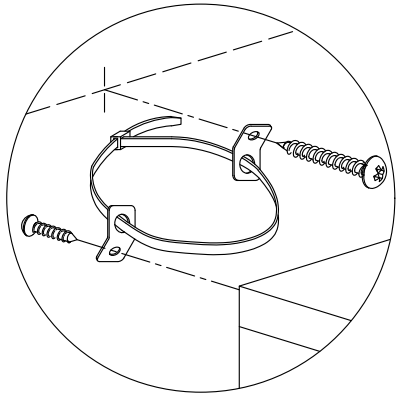
STEP 14



LABEL	PICTURE	QTY
L		2PCS

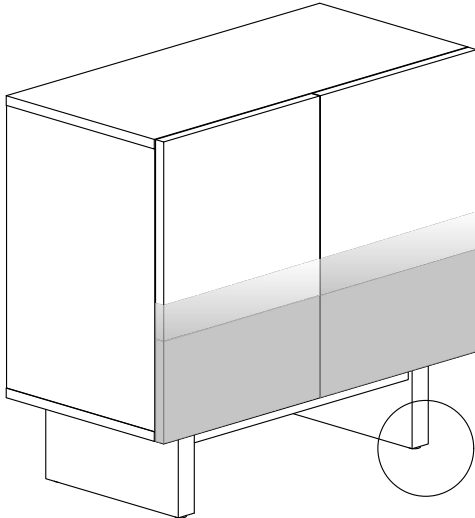
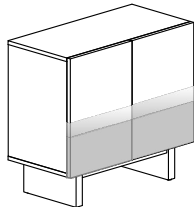


WALL

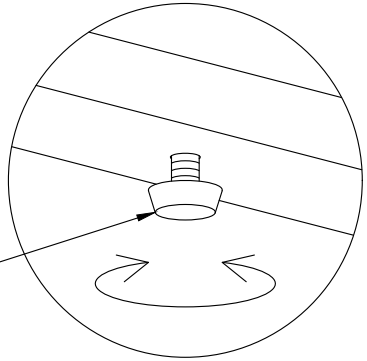


ANTI-TIP KIT INSTALLATION

STEP 15



ADJUSTABLE LEVELERS



To ensure the unit is level on the floor, please use the adjustable leveler on the bottom of each leg.