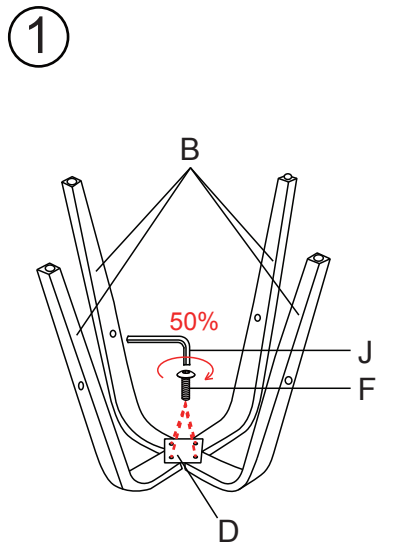
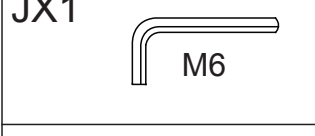
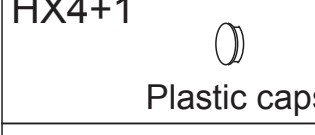
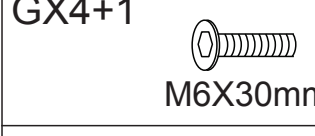
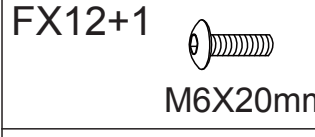
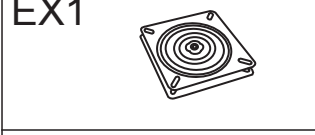
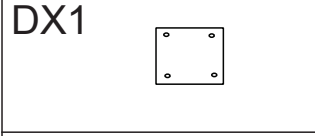
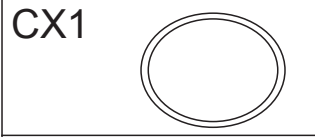
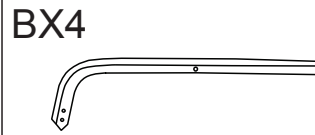
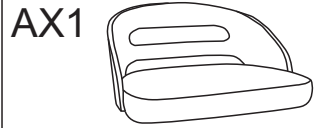
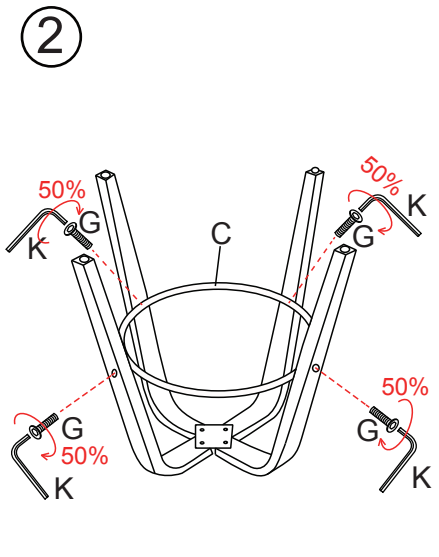


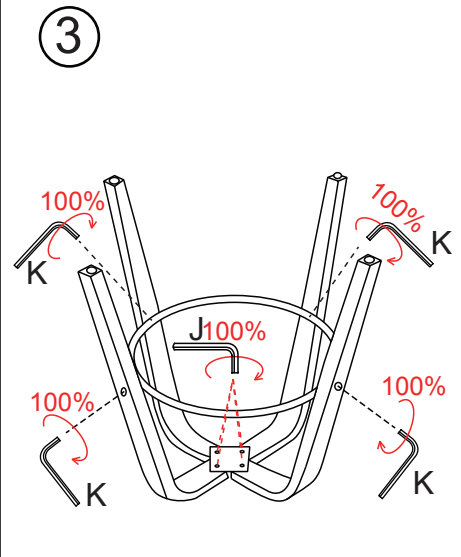
# ASSEMBLY INSTRUCTION



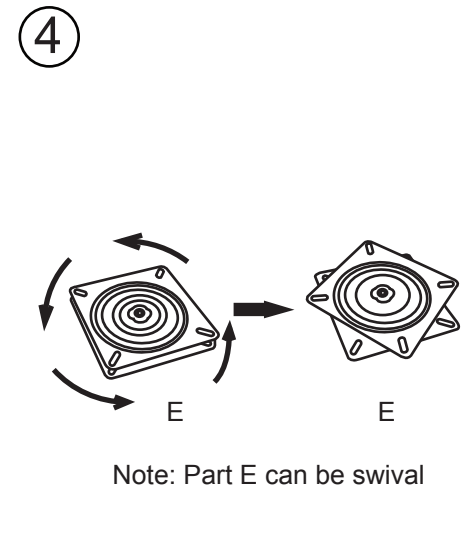
Note: Do NOT tighten the screws(F) in step 1



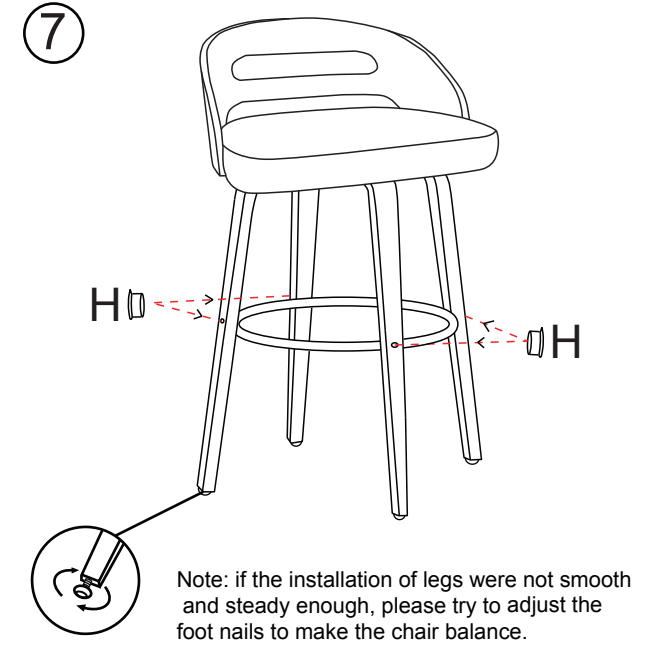
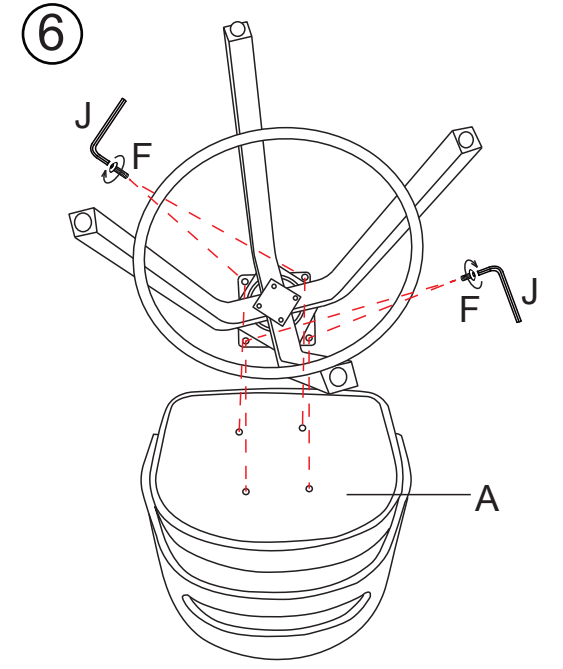
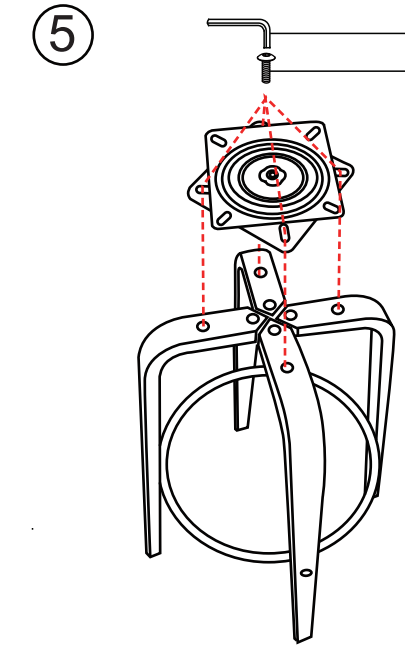
Note: Do NOT tighten the screws(G) in step 2



Note: Tighten the screws(F) and screws(G) in step 3



Note: Part E can be swival



Note: if the installation of legs were not smooth and steady enough, please try to adjust the foot nails to make the chair balance.