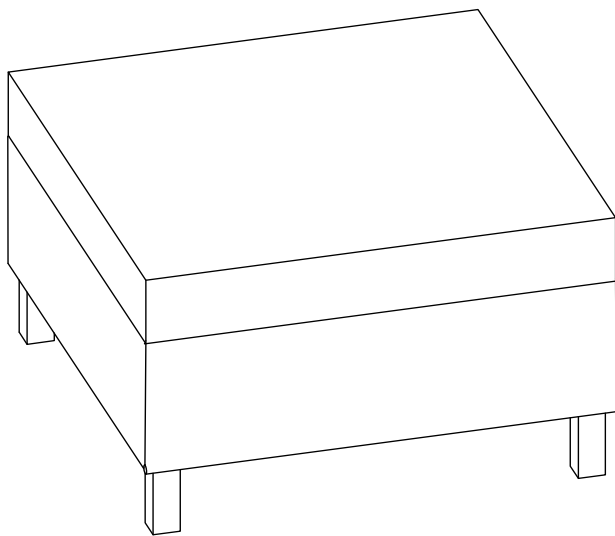


# Instruction Manual

## Rattan Stool



# CONTENTS

---

Safety and care advice	<b>1</b>
Components	<b>2</b>
Assembly instructions	<b>4</b>

# ⚠ SAFETY AND CARE ADVICE ⚠

---

## PLEASE READ THESE INSTRUCTIONS CAREFULLY AND KEEP FOR FUTURE REFERENCE

- **Warning:** Please lift with care.
- Check you have all the components and tools listed on pages 2 and 3.
- Remove all fittings from the plastic bags and separate them into their groups.
- Keep children and animals away from the work area, small parts could choke if swallowed.
- Make sure you have enough space to lay out the parts before starting.
- Do not stand or put weight on the product, this could cause damage.
- Assemble the item as close to its final position (in the same room) as possible.
- Assemble on a soft level surface to avoid damaging the unit or your floor (use opened out unit carton).



- We do not recommend the use of power drill/drivers **for inserting screws**, as this could damage the unit. Only use hand screwdrivers.
- Dispose of all packaging carefully and responsibly.

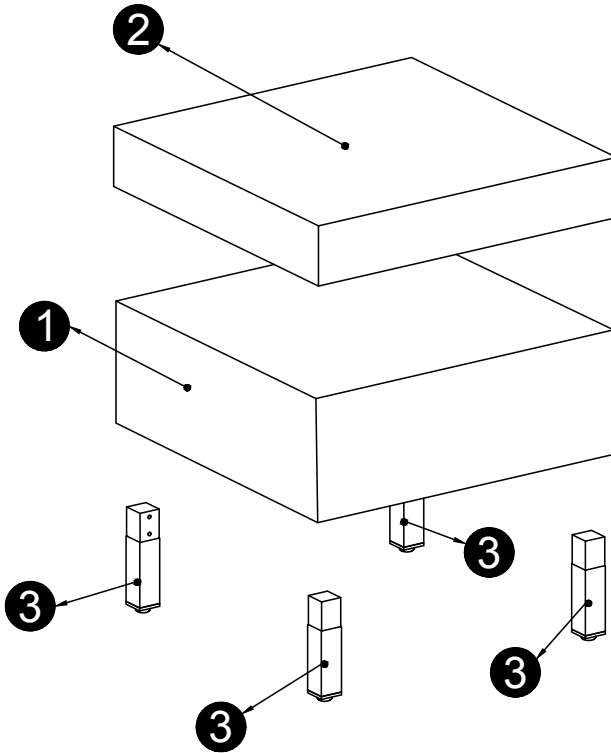
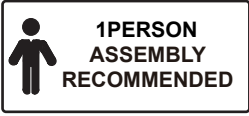
## CARE AND MAINTENANCE

---

- Only clean using a damp cloth and mild detergent, do not use bleach or abrasive cleaners.
  - From time to time check that there are no loose screws on this unit.
  - This product should not be discarded with household waste. Take to your local authority waste disposal center.
- Note** *If required the next page can be cut out and used as reference throughout the assembly. Keep this page with these instructions for future reference.*

# COMPONENTS

Please check you have all the panels listed below:



1	Seat Stool	x1
2	Seat Stool Cushion	x1
3	Legs	x4



# COMPONENTS

---

Please check you have all the fittings listed below:

A



Bolt M6x20 (8 pcs)

B



Flat Washer (8 pcs)

C



Allen Key (1 pc)

D

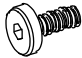





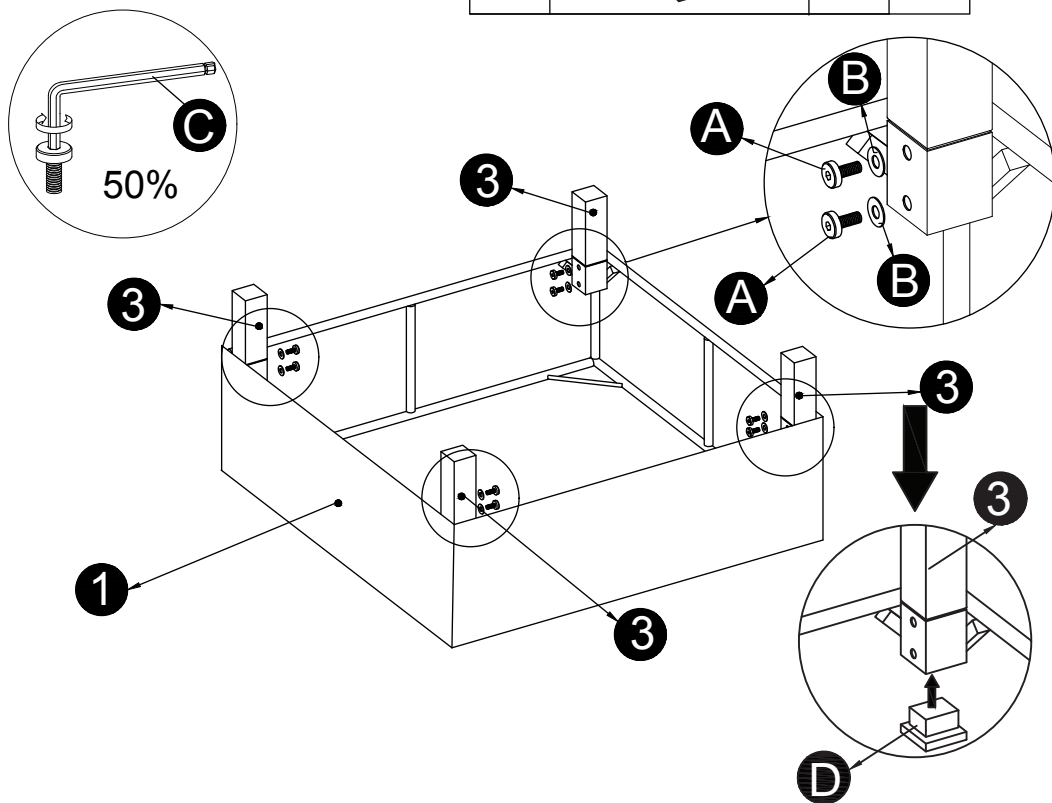
Cover (4 pcs)



# ASSEMBLY INSTRUCTIONS

Step 1: Connect The Seat Stool (1) & Leg (3) tighten Bolt (A), Flat Washer (B) with Allen Key (C) and Put to Cover (D).

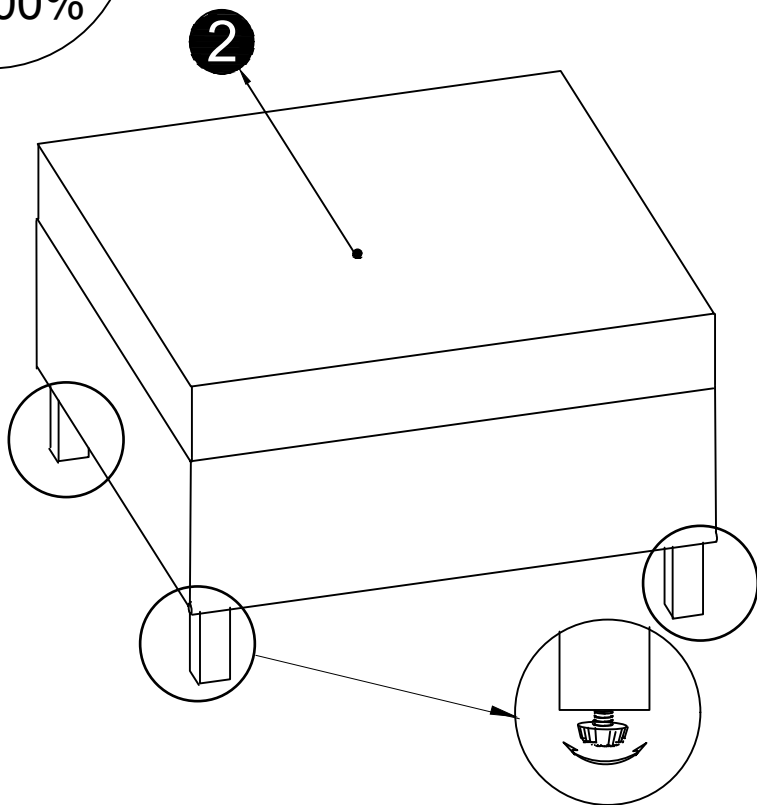
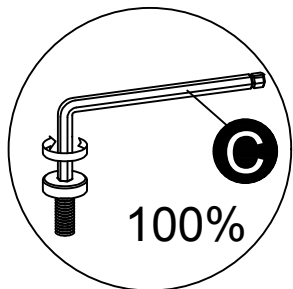
A		8
B		8
C		1
D		4



# ASSEMBLY INSTRUCTIONS

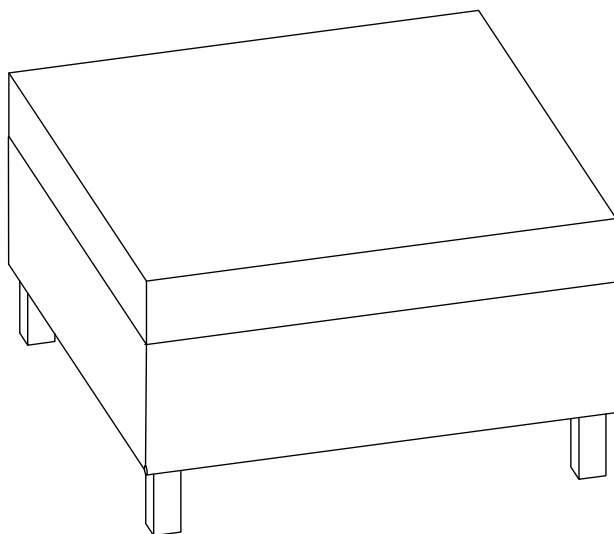
---

Step 2: Put the Stool upright and make sure all legs are level, then firmly tighten Bolts with Allen Key (C) & Put Seat Stool Cushion (2) on Stool to finish Stool.



# ASSEMBLY INSTRUCTIONS

---



Congratulations! Now you have finished assembling the product.