



Quick Guide

EOC06



It is recommended that beginners to test refer to the Quick Guide first, and any questions please feel free to contact us.

Security

Please safely use power, follow operating procedures to avoid needle breaking.

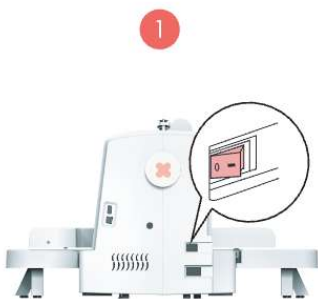
Environment

Place the machine in a dry environment and keep it away from children.

Voltage

The machine supports wide voltage input, the voltage range is 110V to 240V.

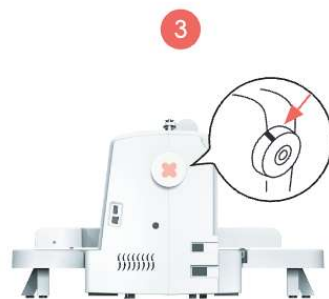
Before threading and installing the embroidery frame, please ensure the machine is in the following state:



Turn off the power



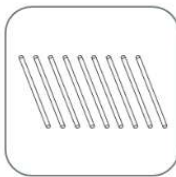
Raise the presser foot for proper threading



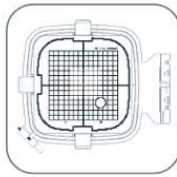
Reset the handwheel to ensure the needle is in the highest point



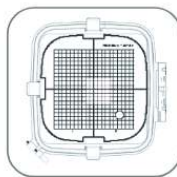
Bobbin



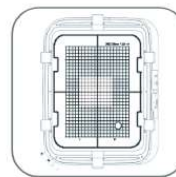
Buckle Connection



Hoop 140*140



Hoop 200*200



Hoop 200*280



Screwdriver



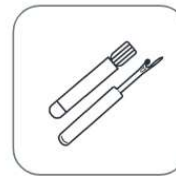
Tweezers



Stylus



Scissors



Seam Ripper/Brush



Needles



USB



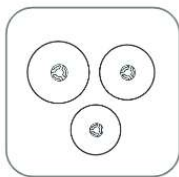
User manual



An envelope



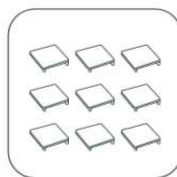
Quick guide



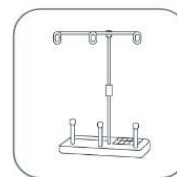
Pin cap



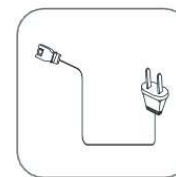
Wrench



Buckles

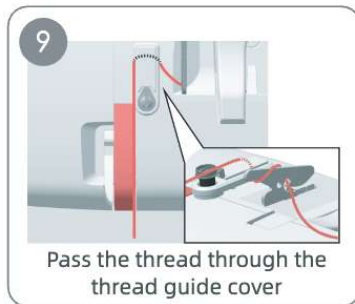
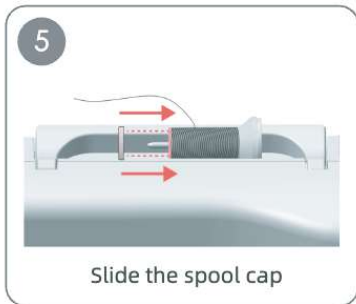
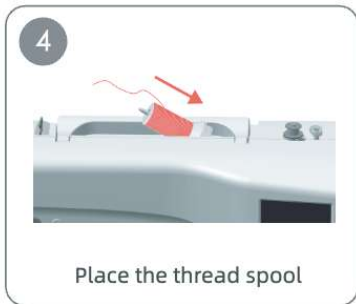
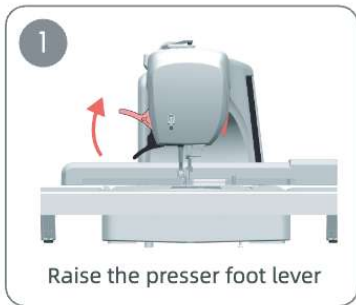


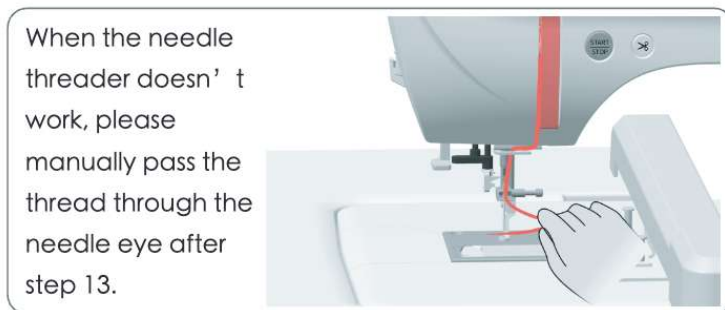
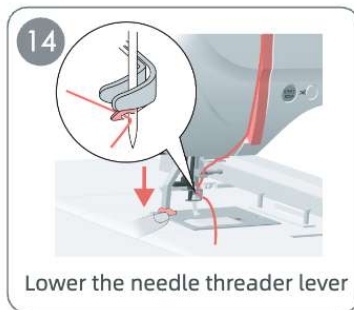
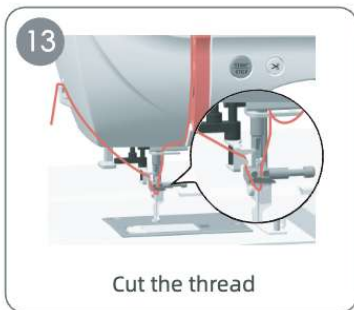
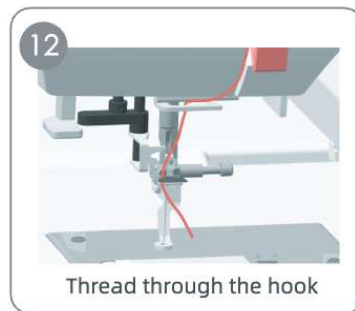
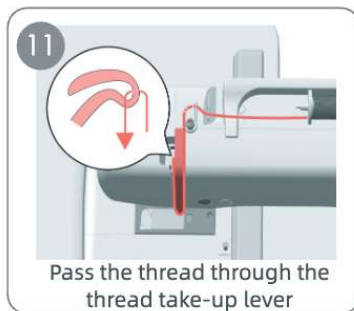
Wire Rack



Power cable

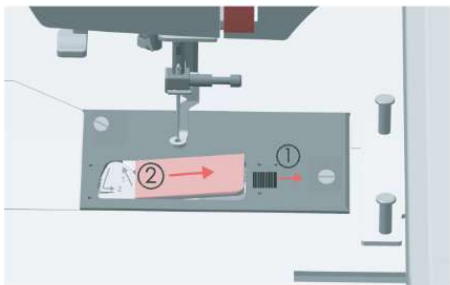
 Tips: Please refer to the teaching video named "Unboxing" in USB.





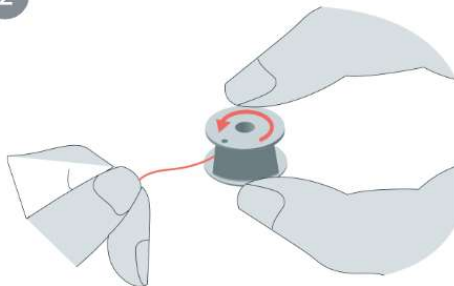
! Tips: Please make sure to lift the presser foot before threading.

1



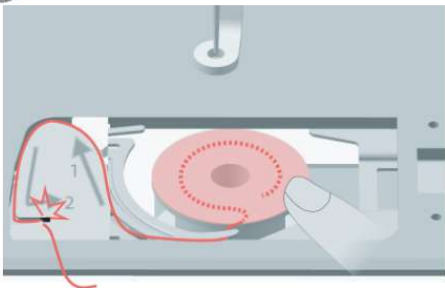
Remove the bobbin cover and the used bobbin

2



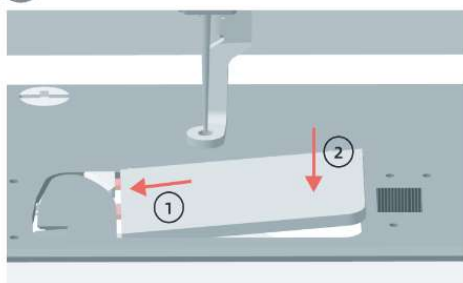
Place the bobbin counterclockwise

3



Follow the arrow to wrap the bobbin thread
Cut off the excess thread

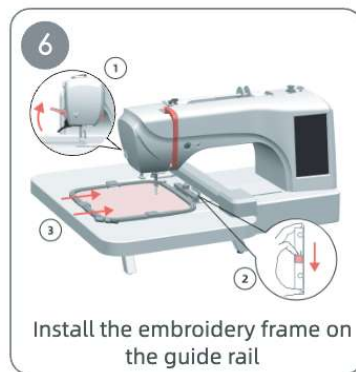
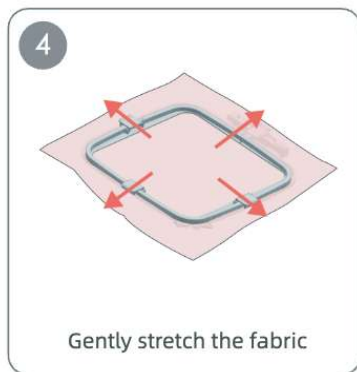
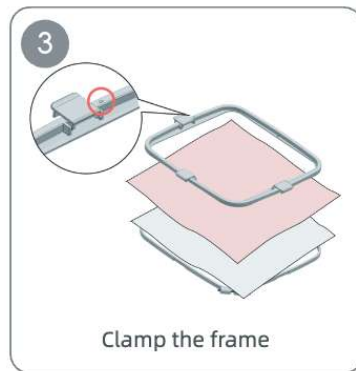
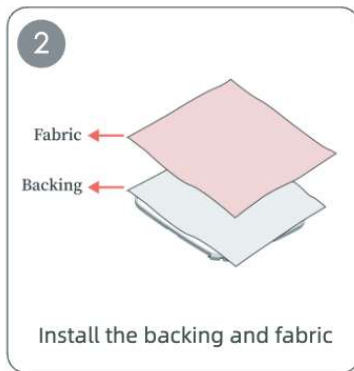
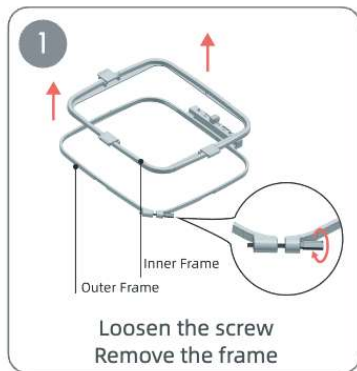
4



Clamp the cover on the left side
Press the cover



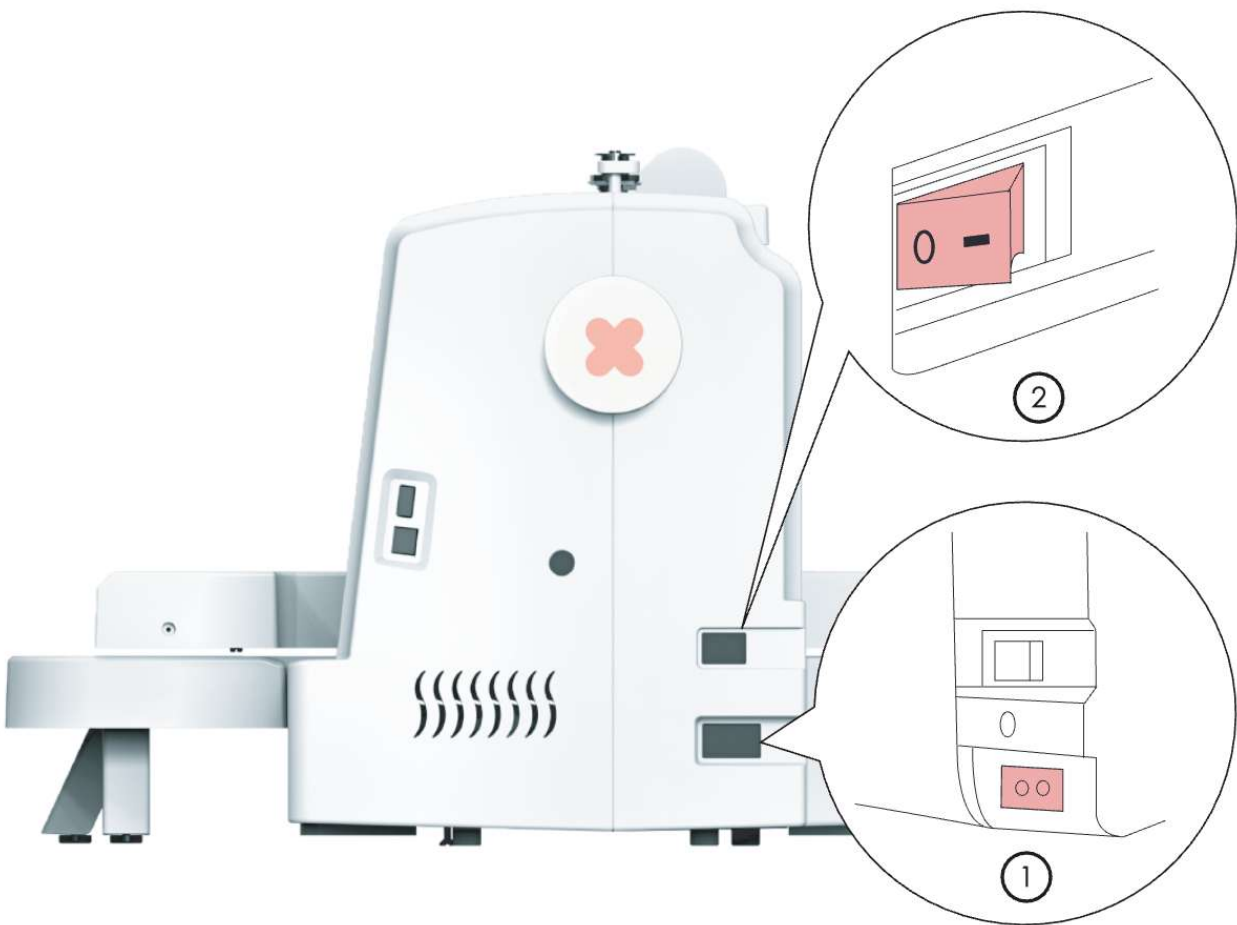
Tips: We have prepared a pre-wound bobbin, which is installed inside the machine.



 Tips:

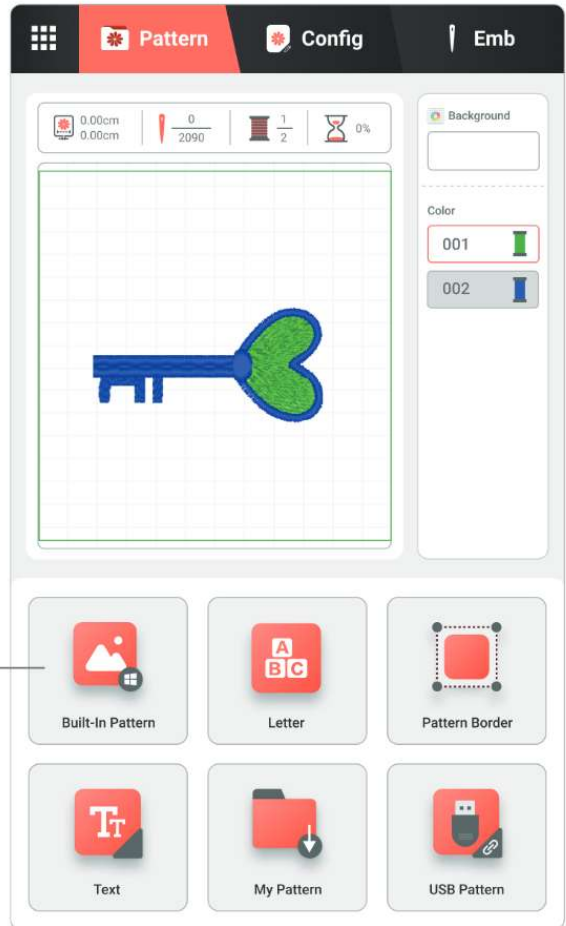
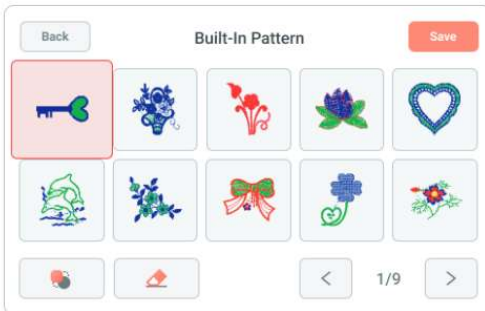
1. For better installation, loosen the screws first.
2. Please place a layer of backing under the fabric.
3. Place fabric and backing inside the frame, then

- 1 Plug in
- 2 Press the switch button



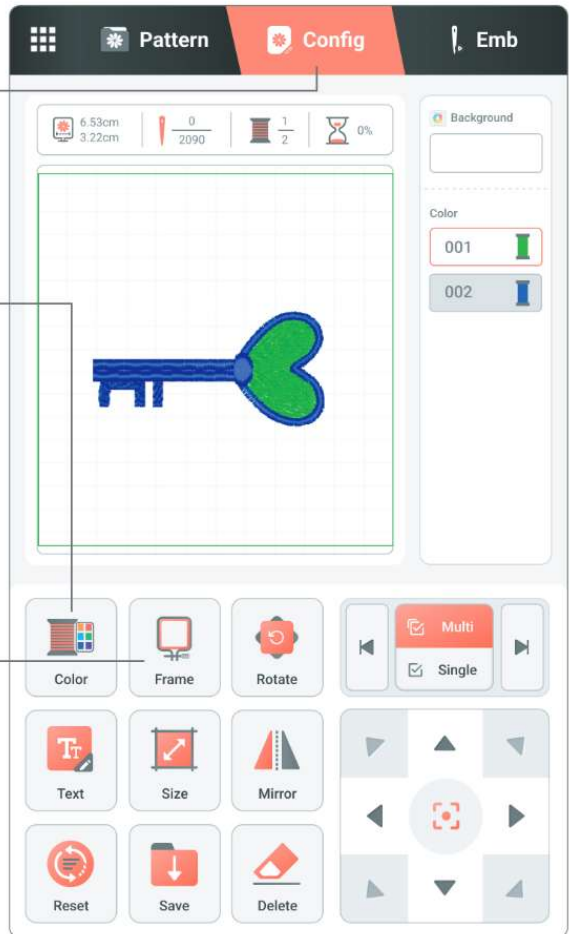
1 Click built-in pattern

2 Choose a pattern



Config the pattern

3 Click Config



4 Choose the color



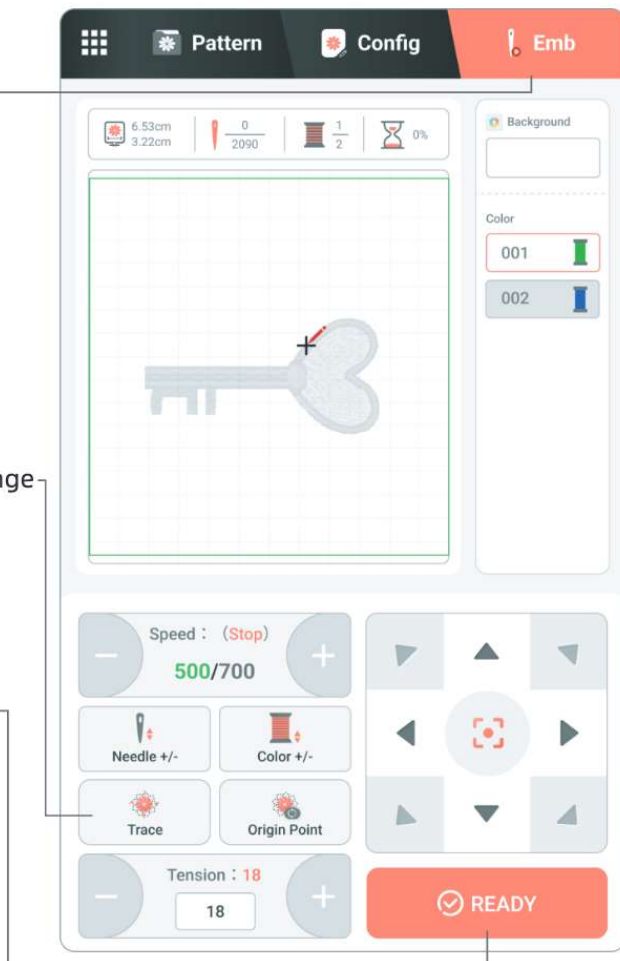
5 Choose the corresponding frame



6 Click Emb

7 Click Trace, confirm embroidery range

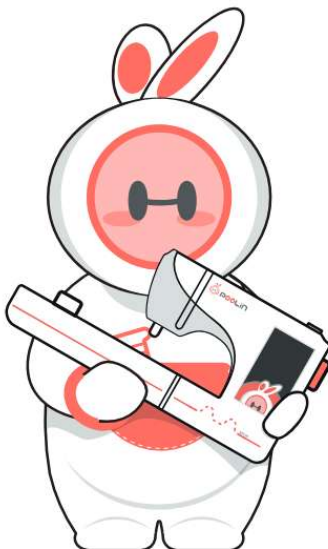
8 Click READY



9 Lower the presser foot, click the Start/Stop button on machine

Contact us

After completing the above tests, you can start your own diy embroidery journey. If you encounter any problems, you can check the user manual or feel free to contact us at any time.



✉ Poolinservice@richword.com

☎ +8618900635078

f POOLIN Users Group

YouTube POOLIN Sewing Machine

