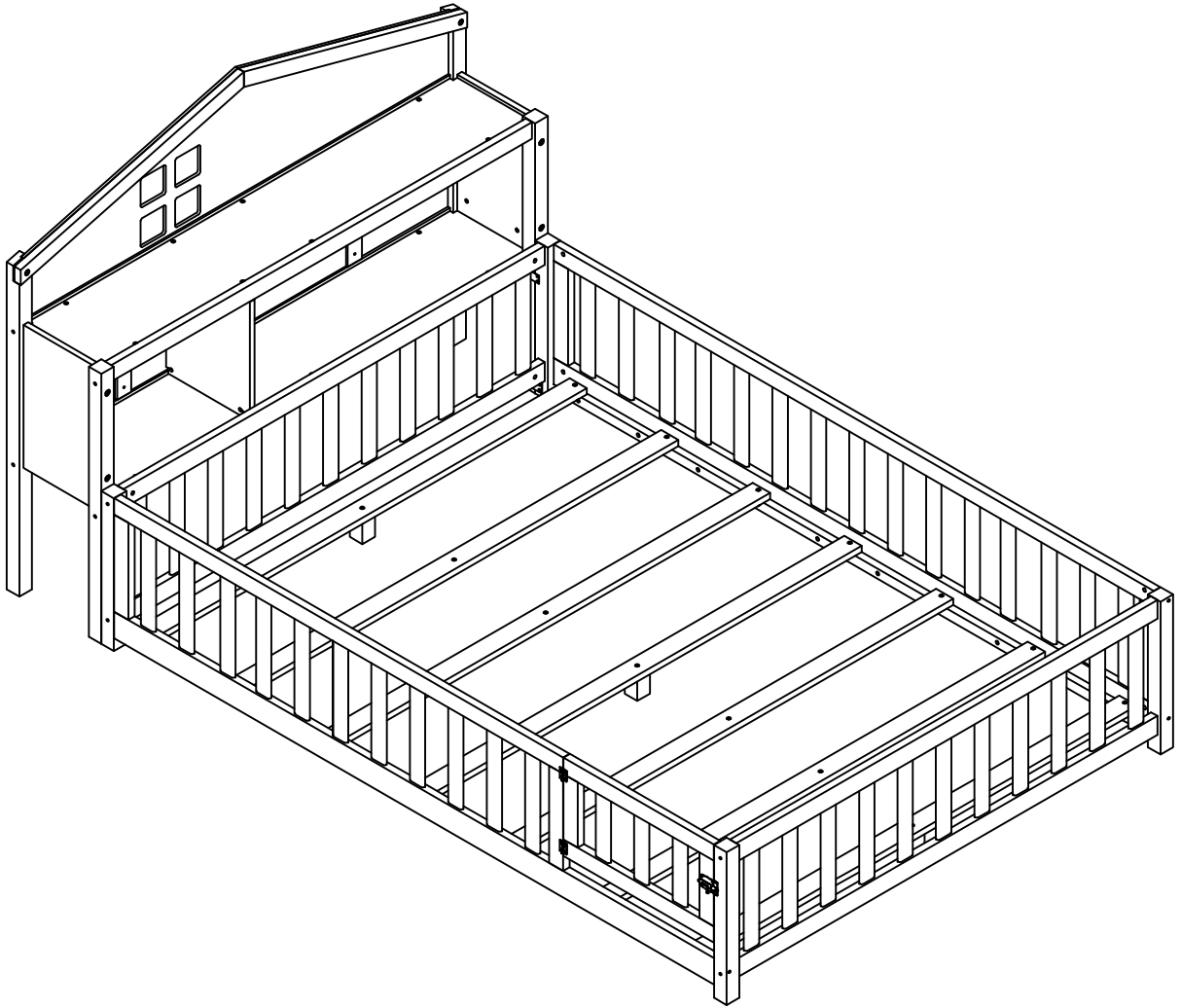


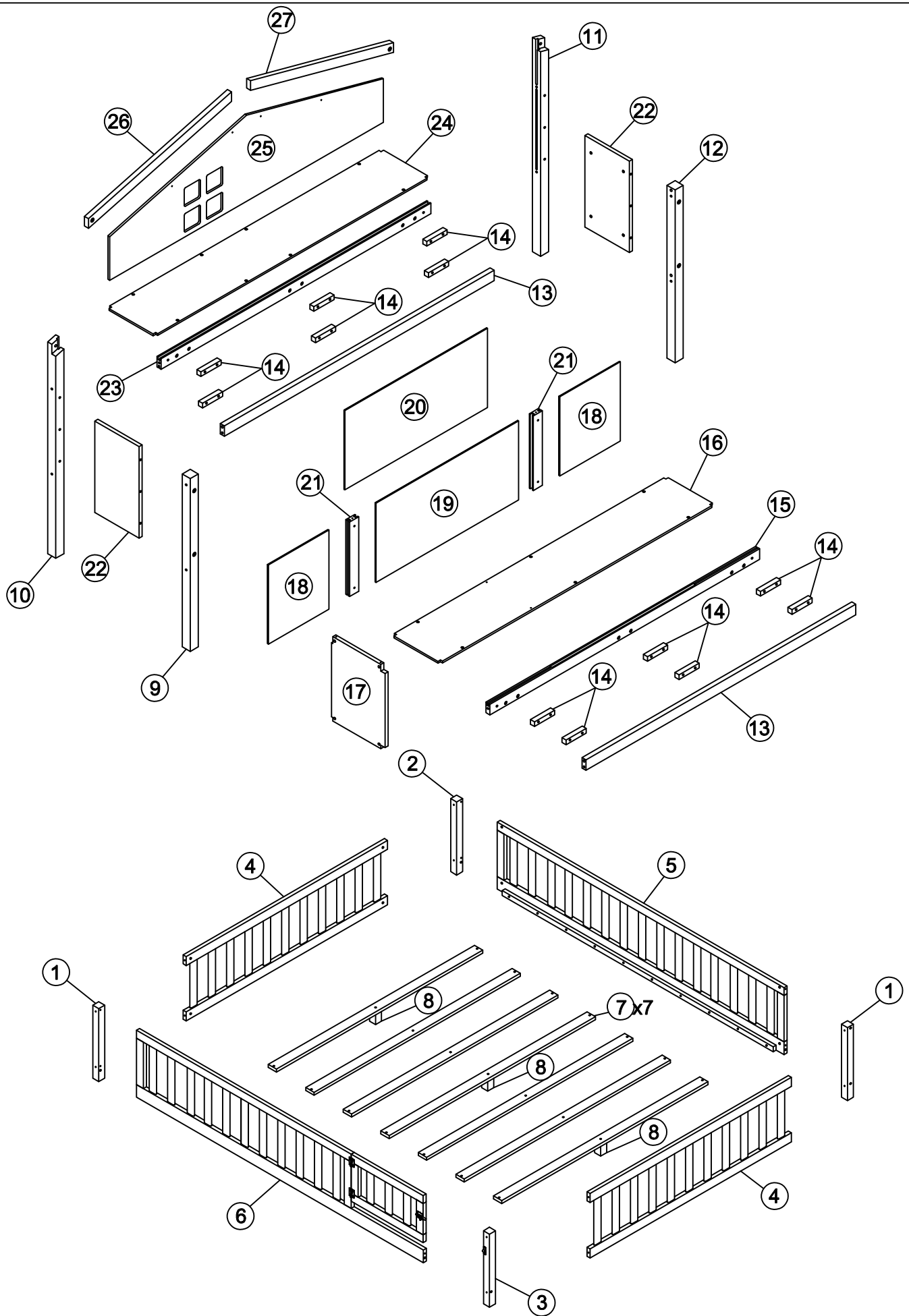
ASSEMBLY INSTRUCTIONS

FULL SIZE - BOOKCASE HEADBOARD



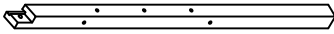

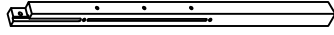

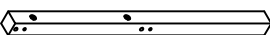
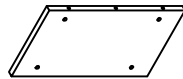
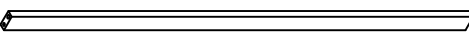

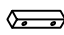

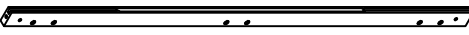

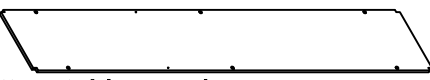
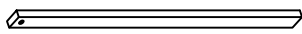
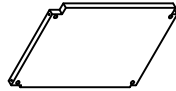
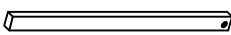
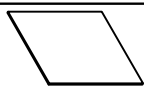
FULL SIZE - FLOOR PLATFORM BED











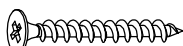


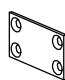

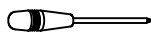
ASSEMBLY INSTRUCTIONS



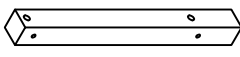
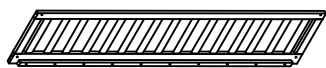
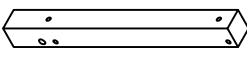
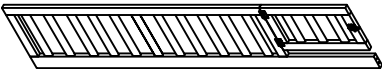
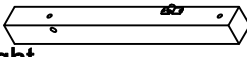
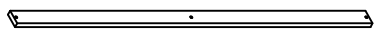
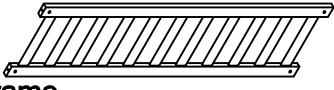
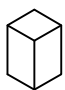
ASSEMBLY INSTRUCTIONS

9	 Leg front right	1pc		19	 Front between panel frame	1pc
10	 Leg front left	1pc		20	 Back blackboard panel frame	1pc
11	 Leg back left	1pc		21	 Table crossbar	2pcs
12	 Leg back right	1pc		22	 Side panels	2pcs
13	 Front table crossbar	2pcs		23	 Back table crossbar	1pc
14	 Support table crossbar	12pcs		24	 Top table panel	1pc
15	 Back table crossbar	1pc		25	 Front panel	1pc
16	 Bottom table panel	1pc		26	 Support panel	1pc
17	 Table frame panel	1pc		27	 Support panel	1pc
18	 Right & left panel frame	2pcs				





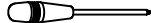
HARDWARE LIST (JBS0324006-W/S0324006-G/S0324006-WD)

A	1/4x90		8PCS		I	1/4x75		8PCS
C	Ø10x40		4PCS		J	Ø8x30		4PCS
D	4x58		1PC		K	1/4x30		2PCS
E	Ø4x45		4PCS		L	1/4x30		24PCS
F	Ø4x38		4PCS		M	9x10		8PCS
G	Ø4x20		16PCS		N	50x28x2		4PCS
H	Ø4x15		16PCS			Phillip head screw Not include		

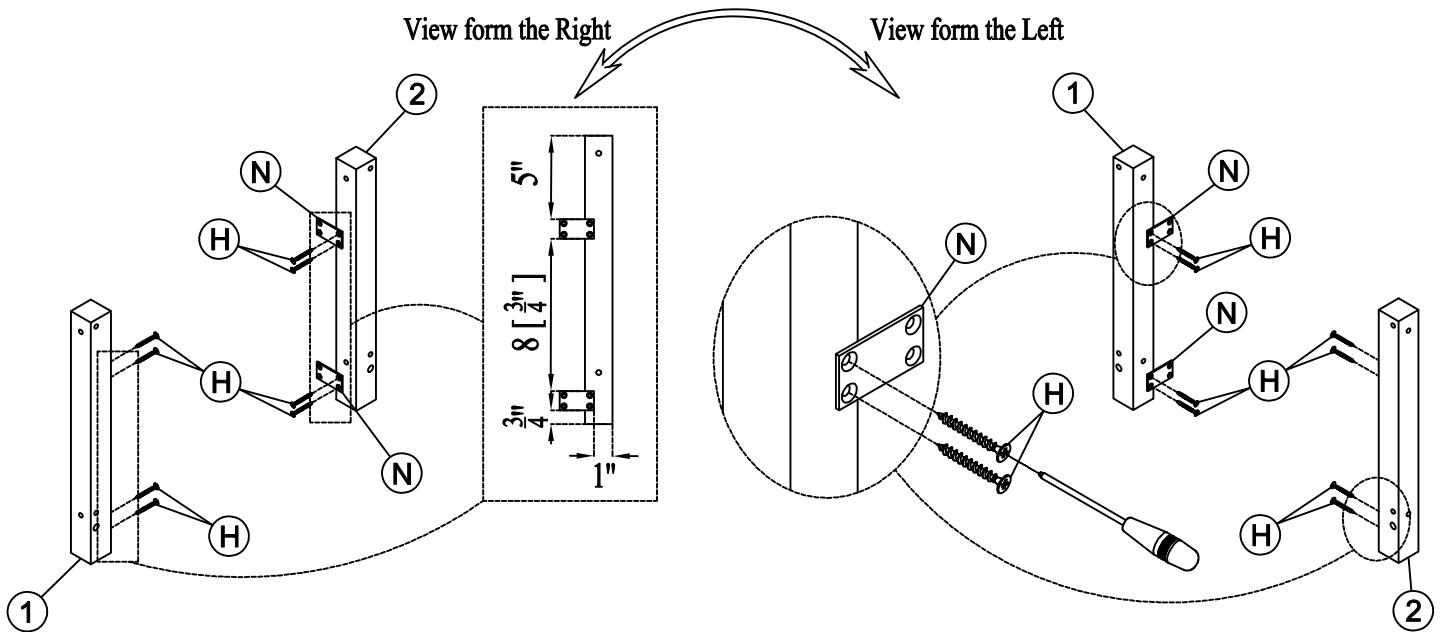
ASSEMBLY INSTRUCTIONS

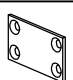

1	 Legs of the front left & rear right	2pcs		5	 Guard rails	1pc
2	 Legs of the back left	1pc		6	 Guard rails	1pc
3	 Legs of the front right	1pc		7	 Slats	7pcs
4	 Headboard frame	2pcs		8	 Center rails support legs	3pcs

HARDWARE LIST (JBSP0822003/JBSP0822004/JBSP0822005)

A	1/4x90		15PCS	D	4x58		1PC
B	Ø4x30		17PCS		Phillip head screw		
C	Ø10x40		4PCS		Not include		

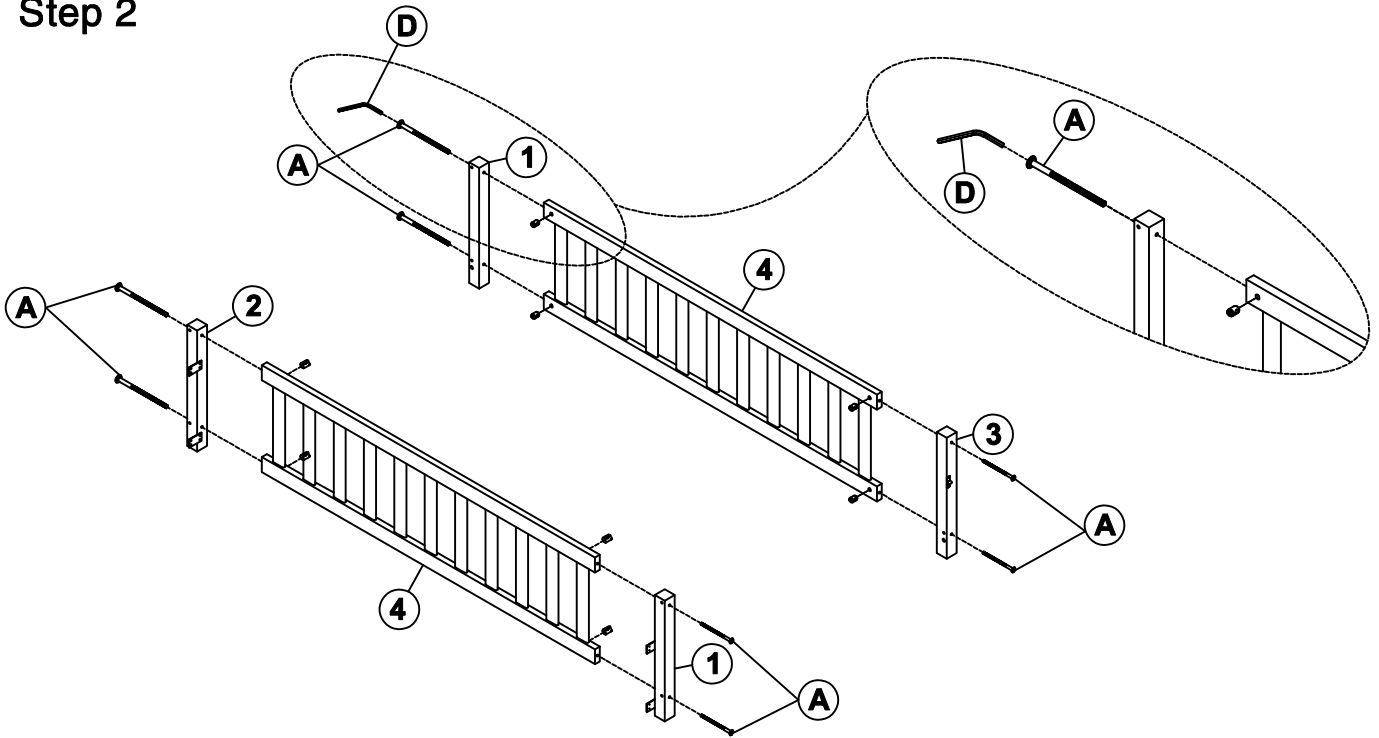
Step 1





N	50x28x2		4PCS	H	Ø4x15		8PCS
----------	---------	---	------	----------	-------	---	------

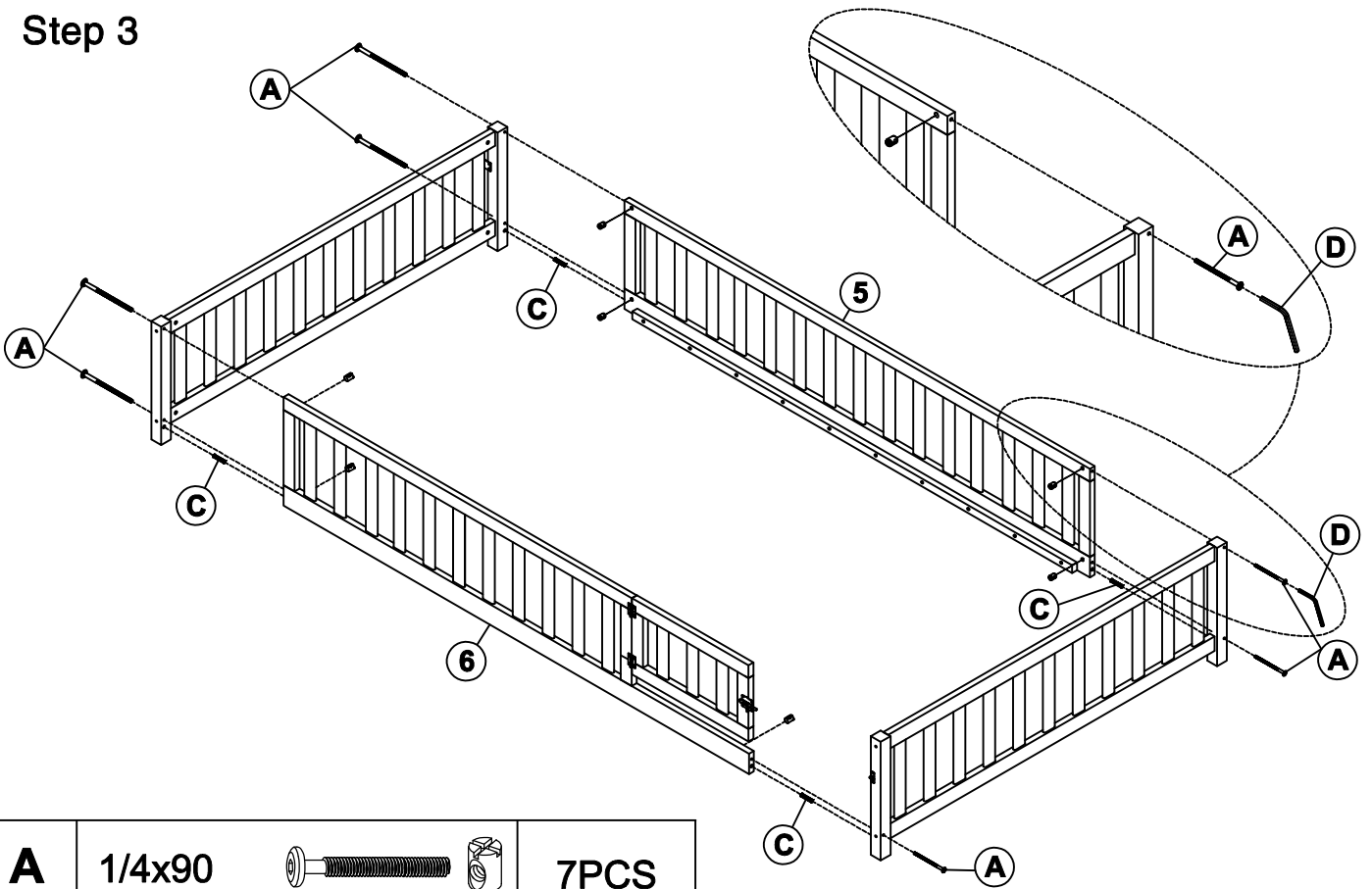
ASSEMBLY INSTRUCTIONS




Step 2



A	1/4x90		8PCS	D	4x58		1PC
----------	--------	--	------	----------	------	--	-----

Step 3



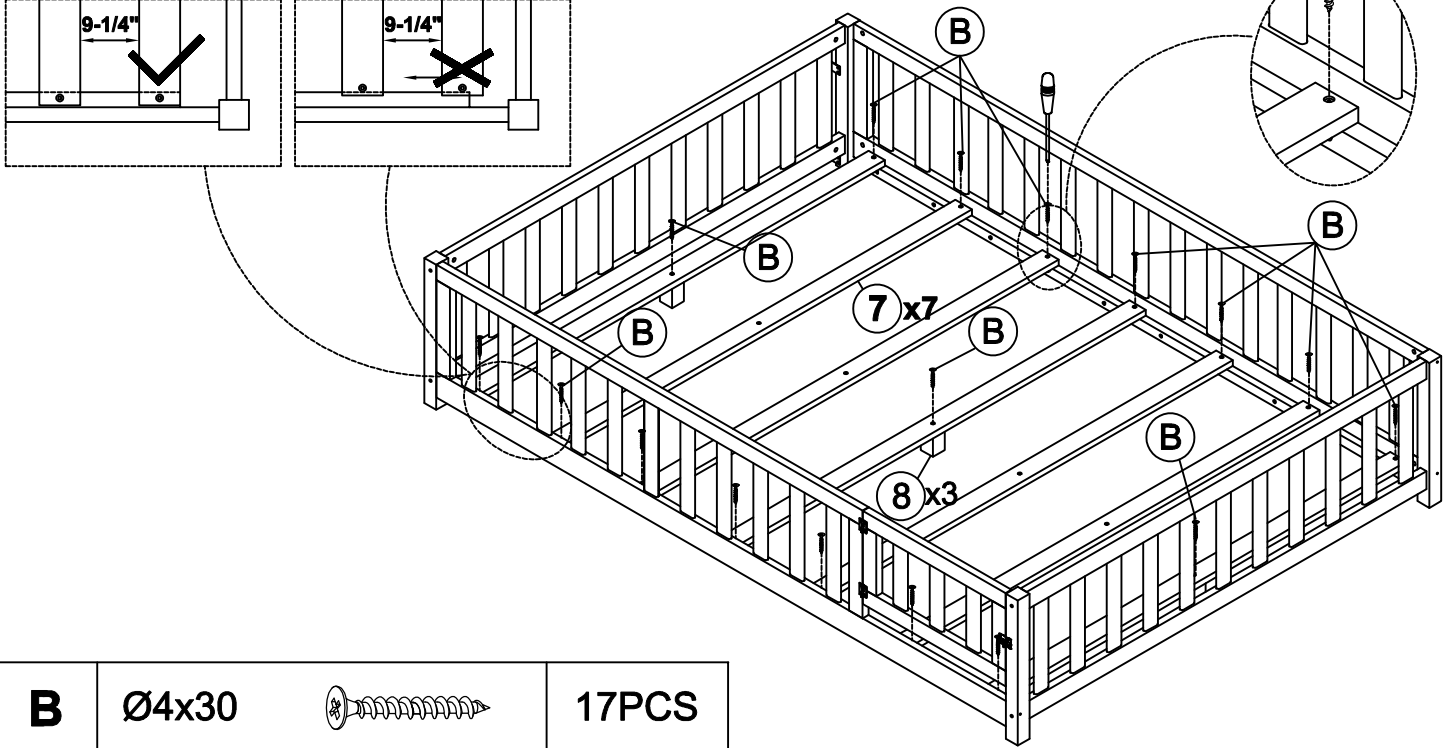
A	1/4x90		7PCS	C	Ø10x40		4PCS	D	4x58		1PC
----------	--------	---	------	----------	--------	---	------	----------	------	---	-----

ASSEMBLY INSTRUCTIONS

Step 4

First attach 2pcs part 7 to the front and end of the frame, between side rails.

Then attach the remaining part 7 equidistantly between side rails.

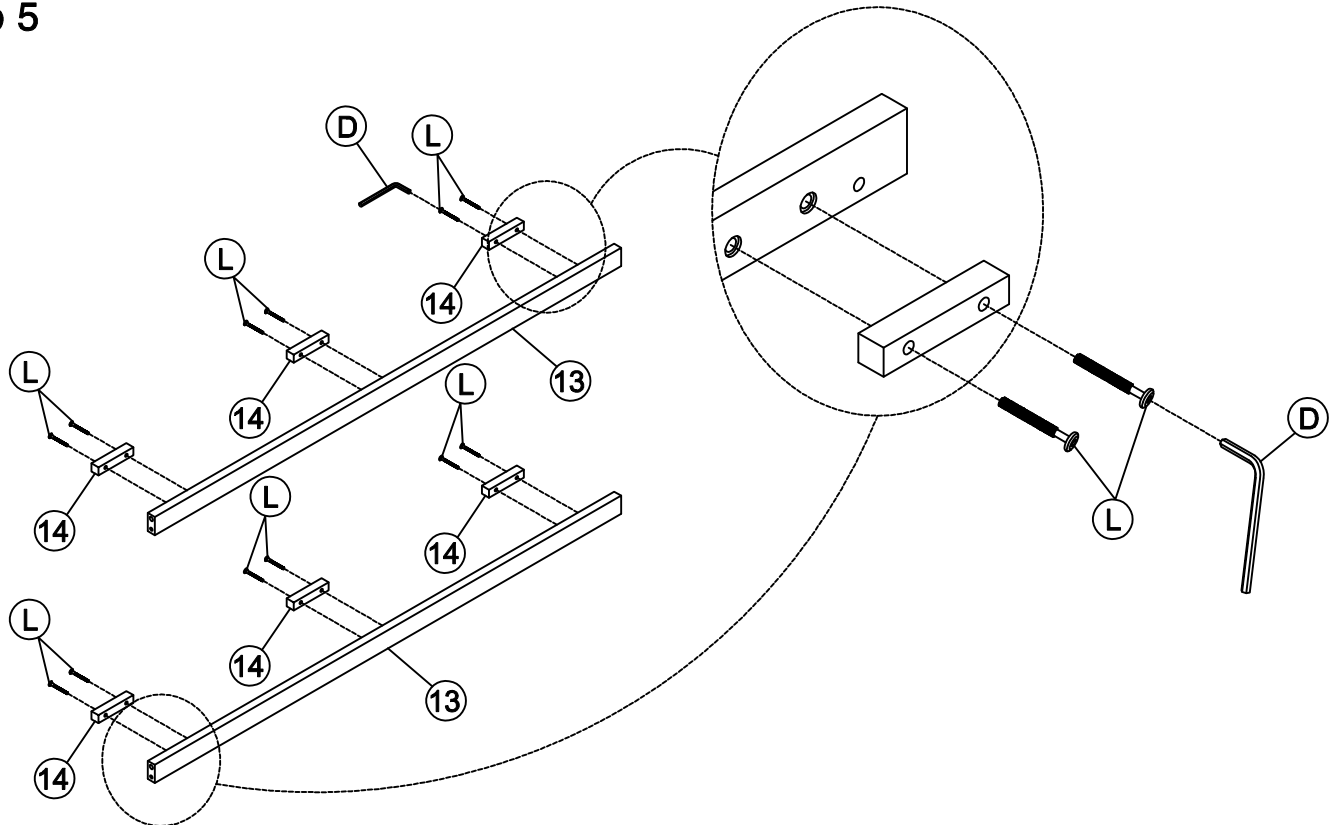


B Ø4x30



17PCS

Step 5

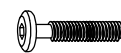


D 4x58



1PC

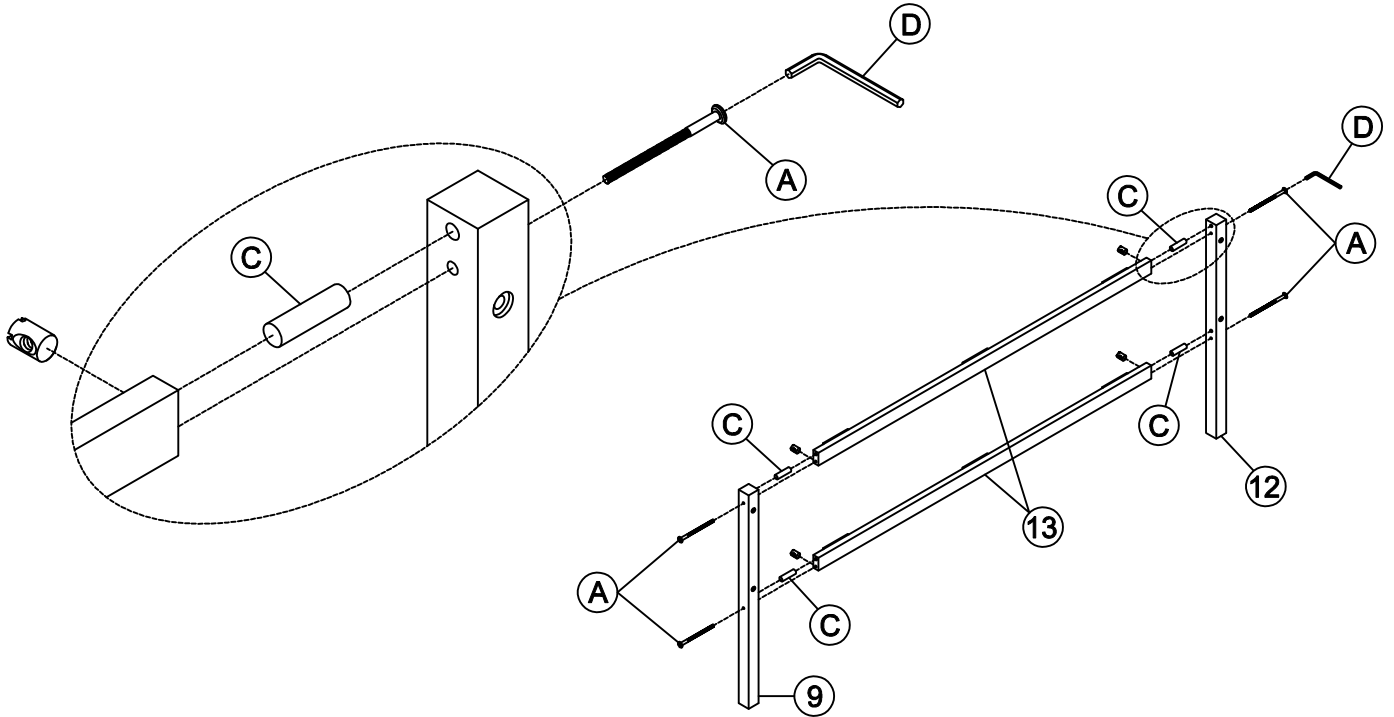
L 1/4x30






12PCS

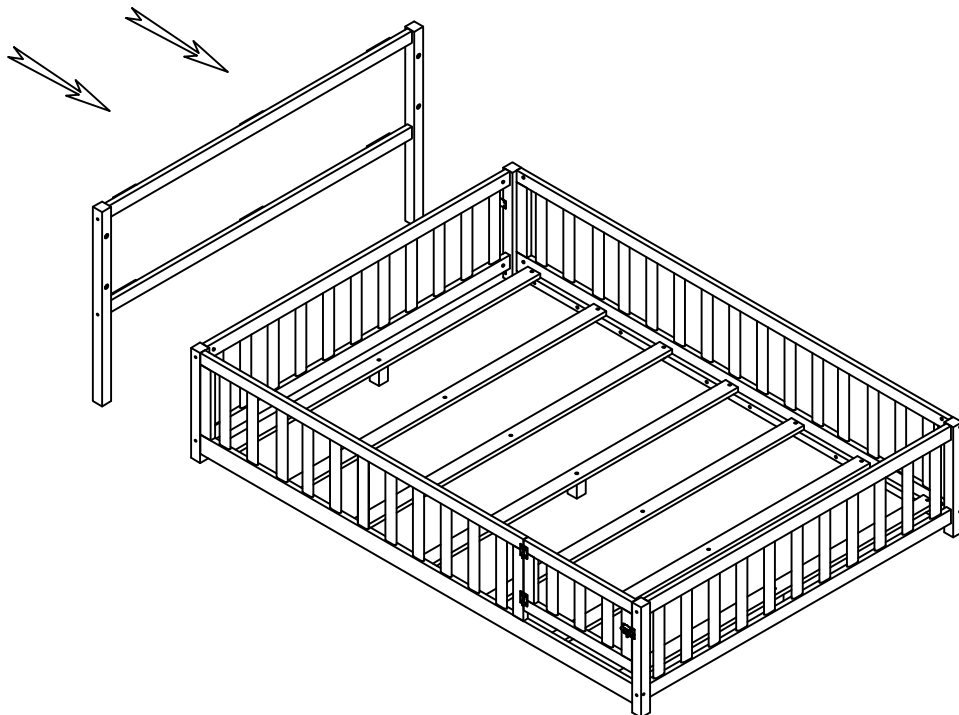
ASSEMBLY INSTRUCTIONS

Step 6



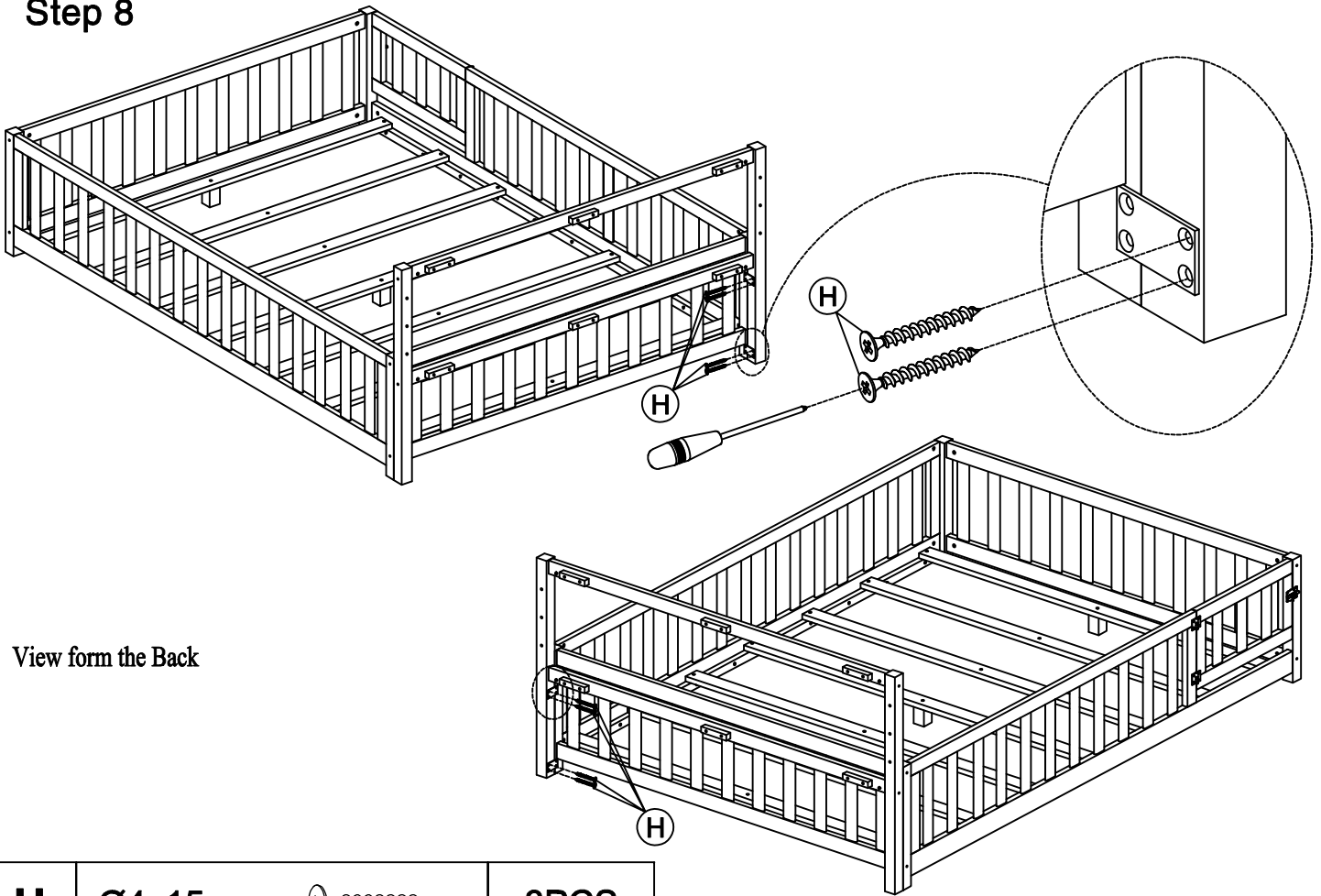
D	4x58		1PC				
C	Ø10x40		4PCS	A	1/4x90		4PCS

Step 7



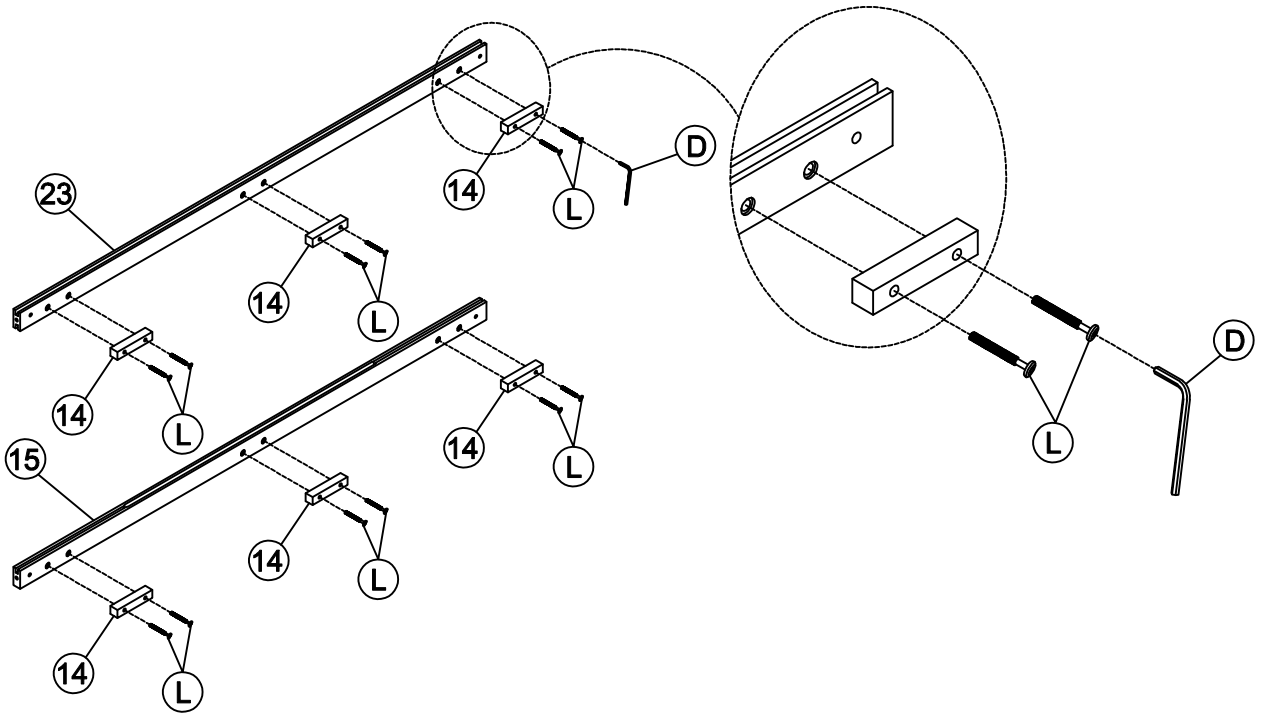
ASSEMBLY INSTRUCTIONS



Step 8



H Ø4x15  **8PCS**

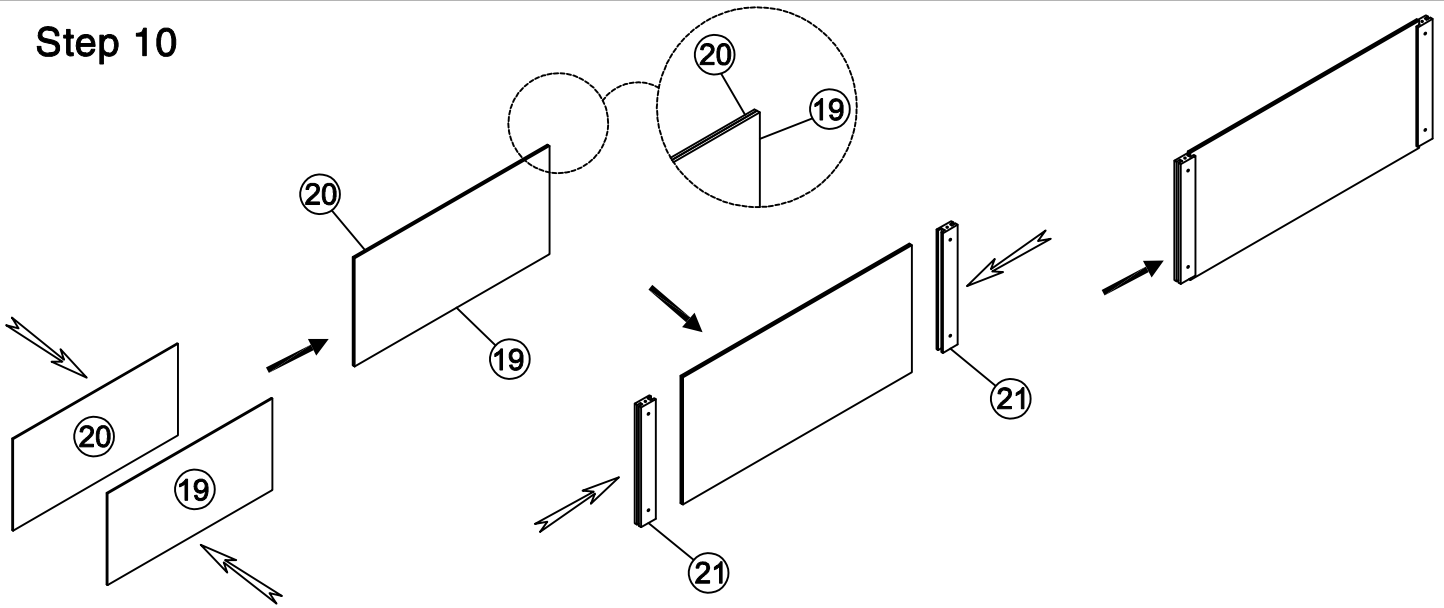
Step 9



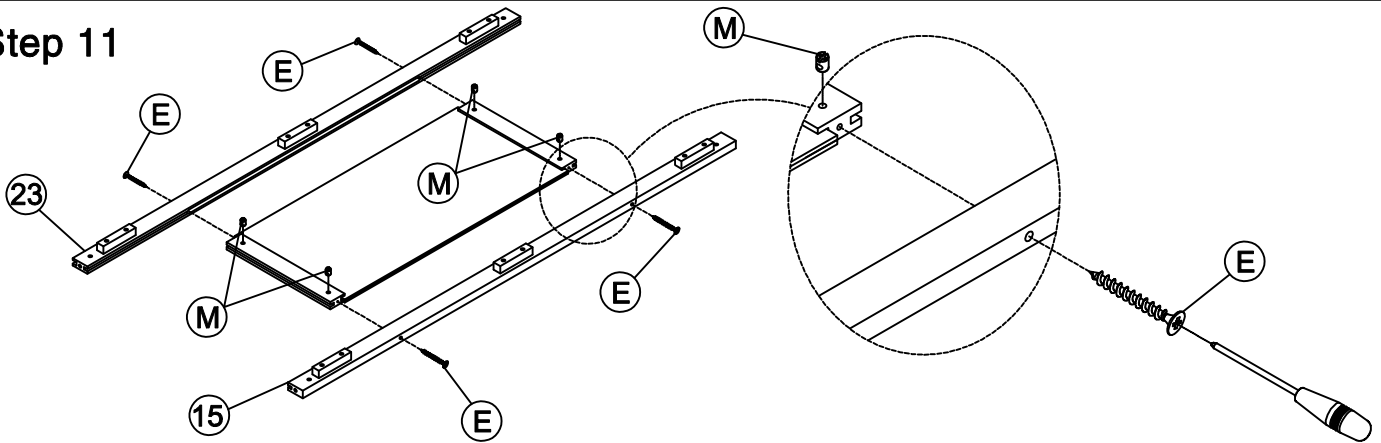
D 4x58  **1PC** **L** 1/4x30  **12PCS**



ASSEMBLY INSTRUCTIONS

Step 10

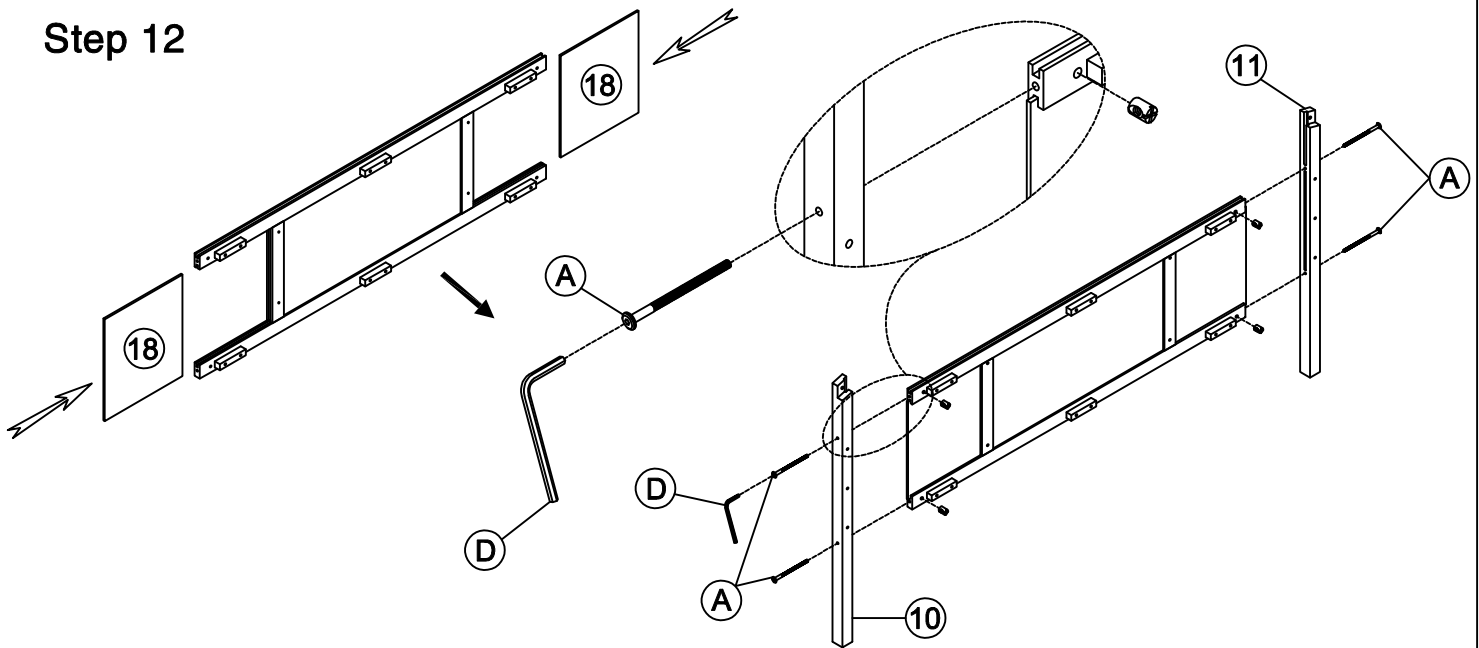




Step 11



E	Ø4x45		4PCS	M	9x10		4PCS
----------	-------	---	------	----------	------	---	------

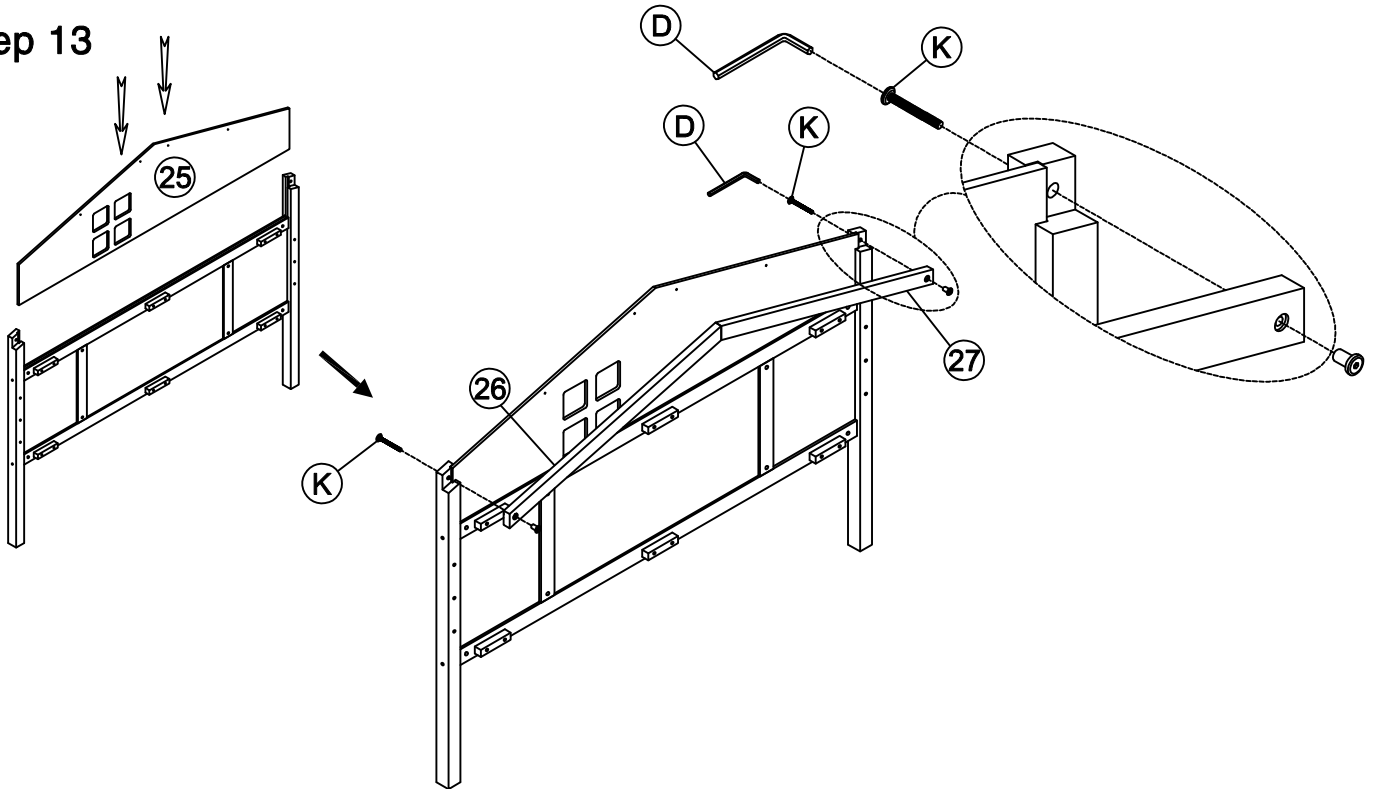
Step 12





A	1/4x90		4PCS	D	4x58		1PC
----------	--------	---	------	----------	------	---	-----

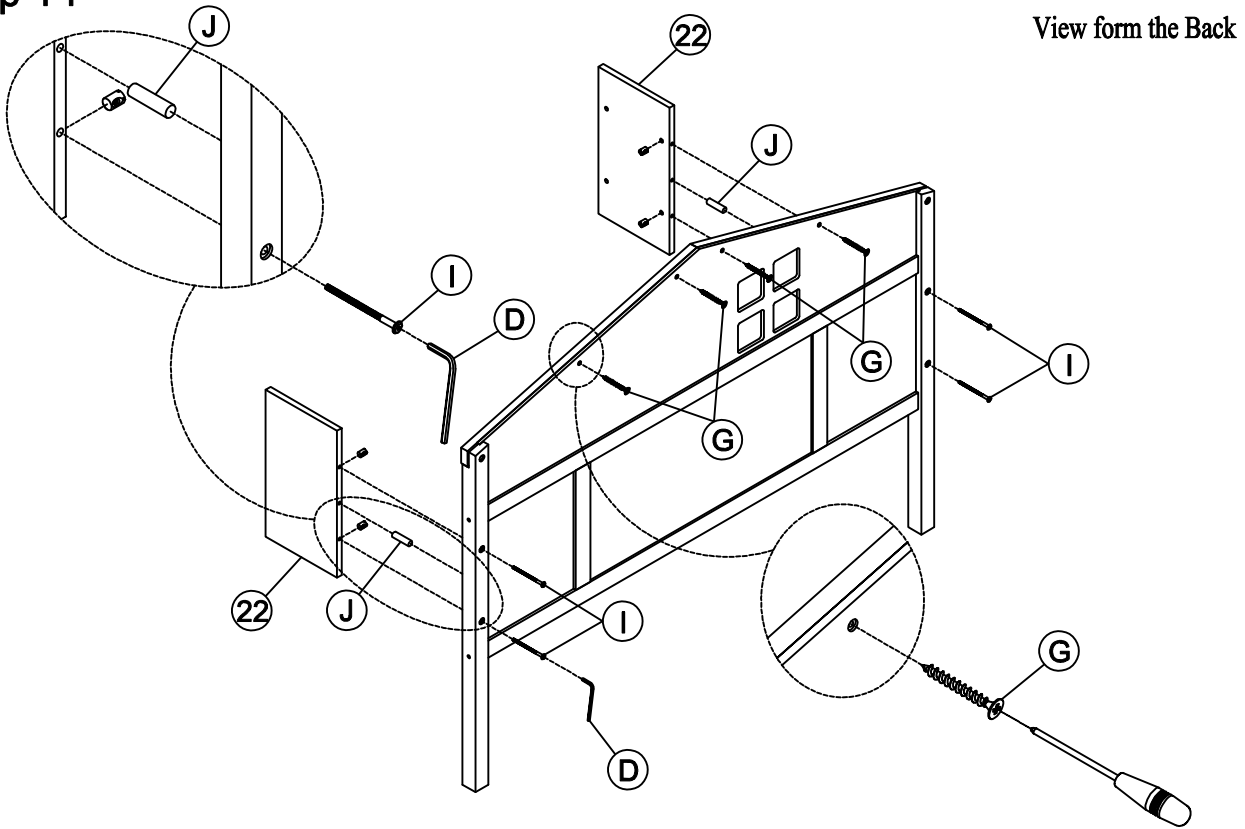
ASSEMBLY INSTRUCTIONS





Step 13



K	1/4x30		2PCS	D	4x58		1PC
----------	--------	--	------	----------	------	--	-----

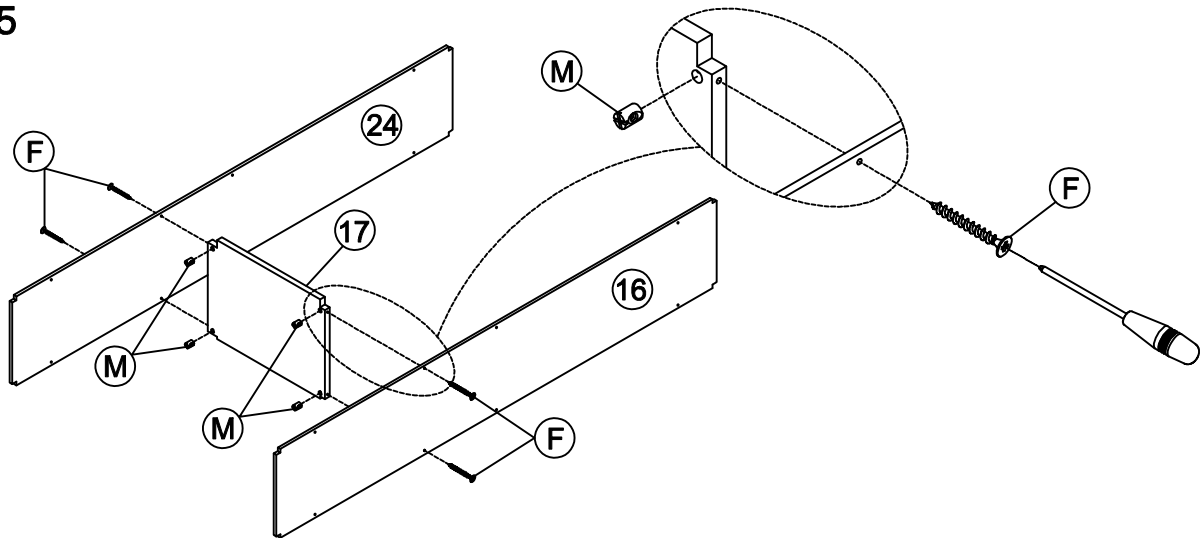
Step 14





G	Ø4x20		4PCS	D	4x58		1PC
I	1/4x75		4PCS	J	Ø8x30		2PCS

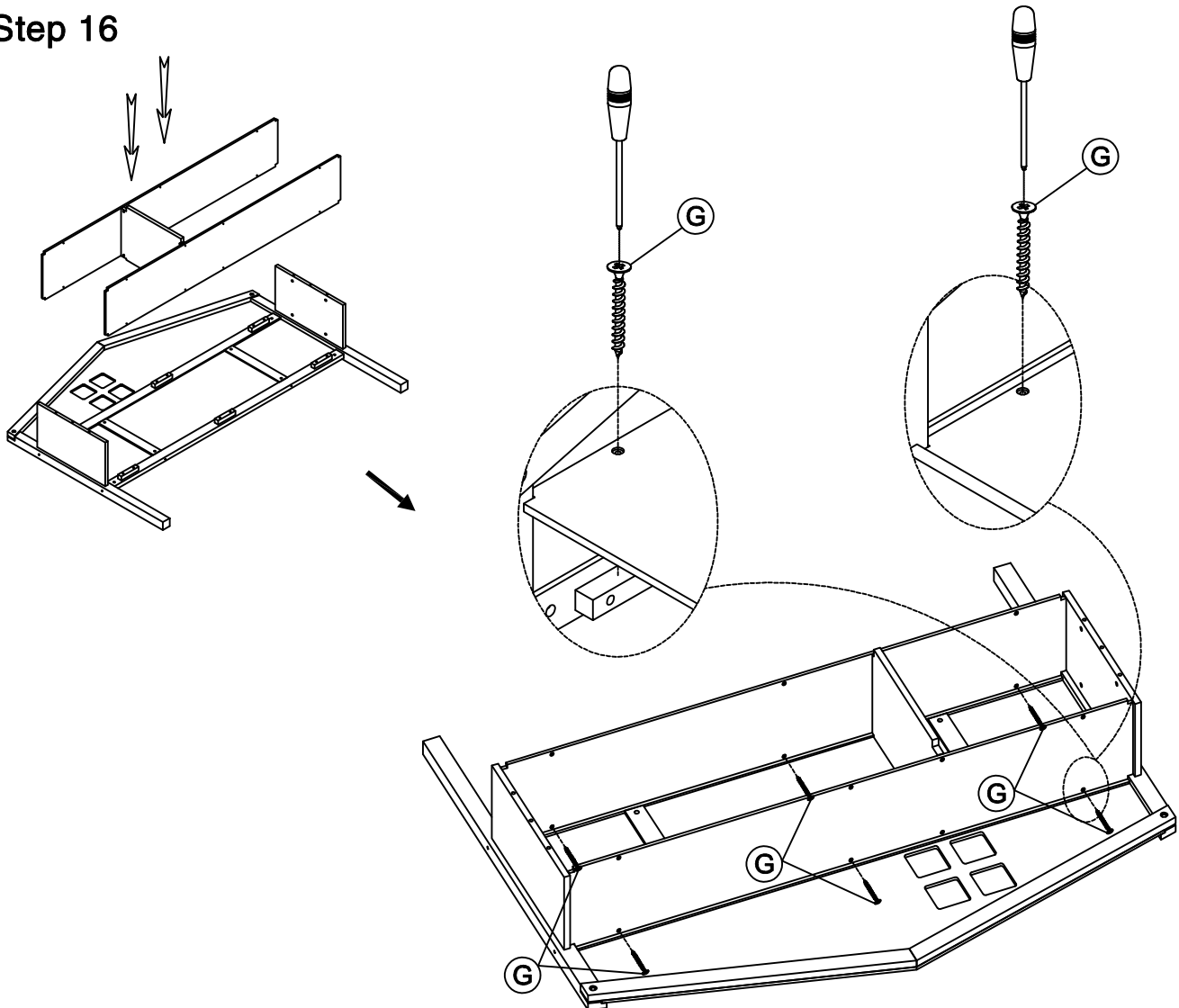
ASSEMBLY INSTRUCTIONS

Step 15



F	Ø4x38		4PCS	M	9x10		4PCS
----------	-------	---	------	----------	------	---	------

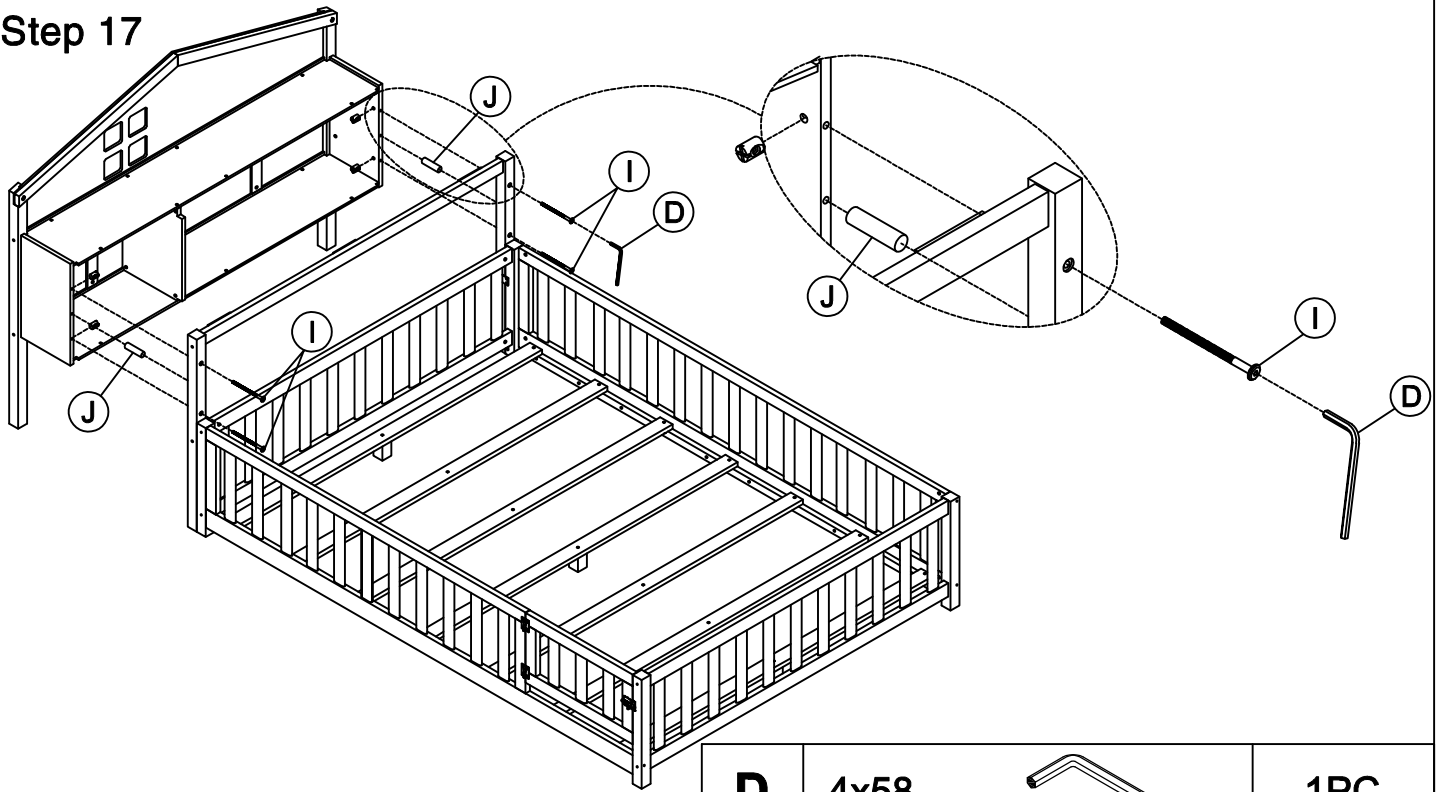
Step 16






G	Ø4x20		6PCS
----------	-------	---	------

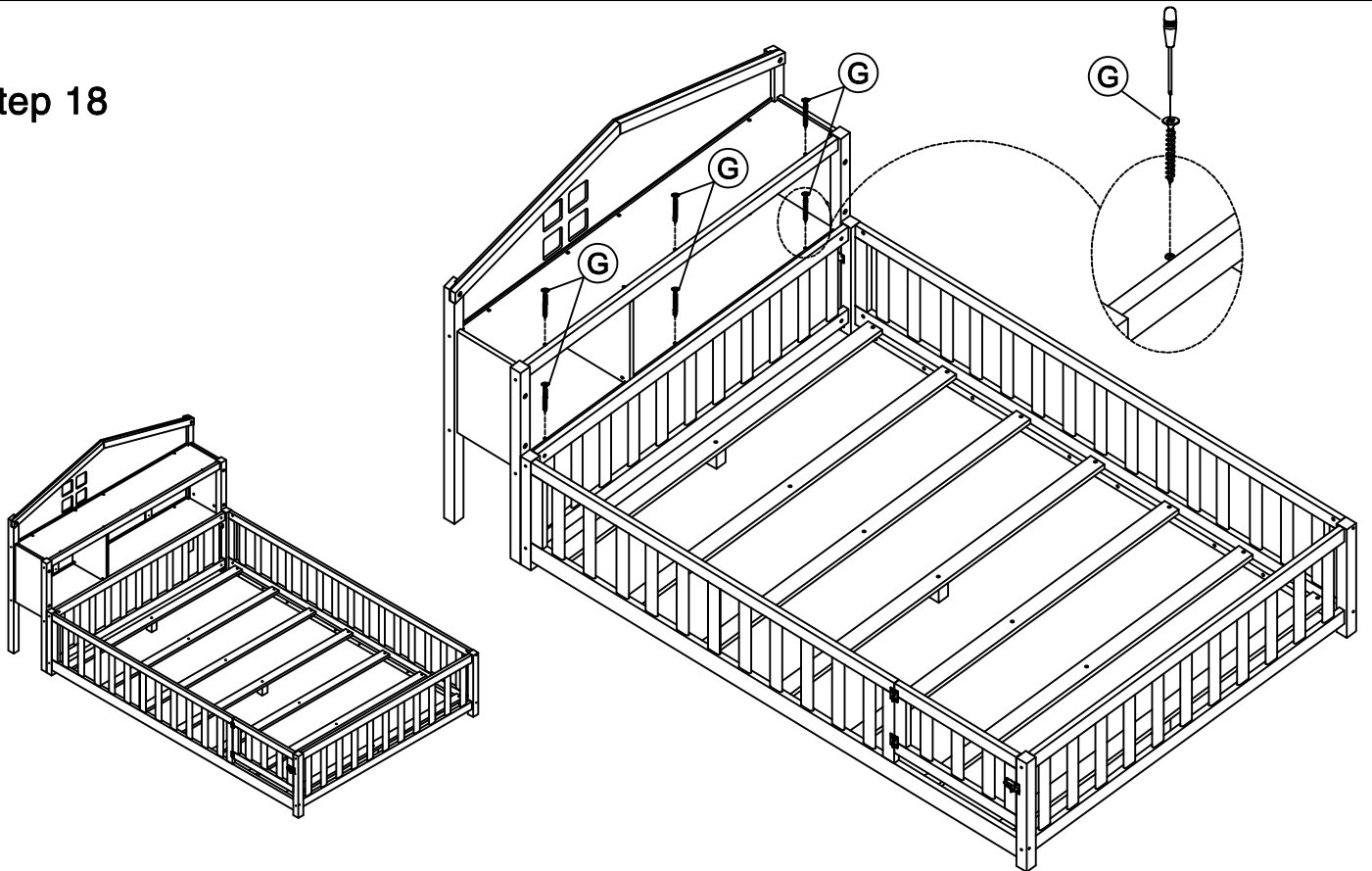
ASSEMBLY INSTRUCTIONS


Step 17



D	4x58		1PC
I	1/4x75		4PCS
J	Ø8x30		2PCS

Step 18



G	Ø4x20		6PCS
----------	-------	---	------