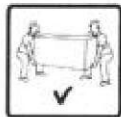




ASSEMBLY TIPS :

1. Remove hardware from box and sort by size.
2. Please check to see that all hardware and parts are present prior to start of assembly.
3. Please follow attached instruction in the same sequence as numbered to assure fast & easy assembly.

**Warning !**

1. Don't attempt to repair or modify parts that are broken or defective. Please contact the store immediately.
2. This product is for home use only and not intended for commercial establishment.





**ASSEMBLY TIME****30 MINUTES****PARTS IDENTIFICATION:****B1 (BOX1)**

A		TABLE TOP	1PC
B		TRESTLE BAR	1PC

B2 (BOX2)

C		TABLE LEG	2PCS
----------	---	-----------	------

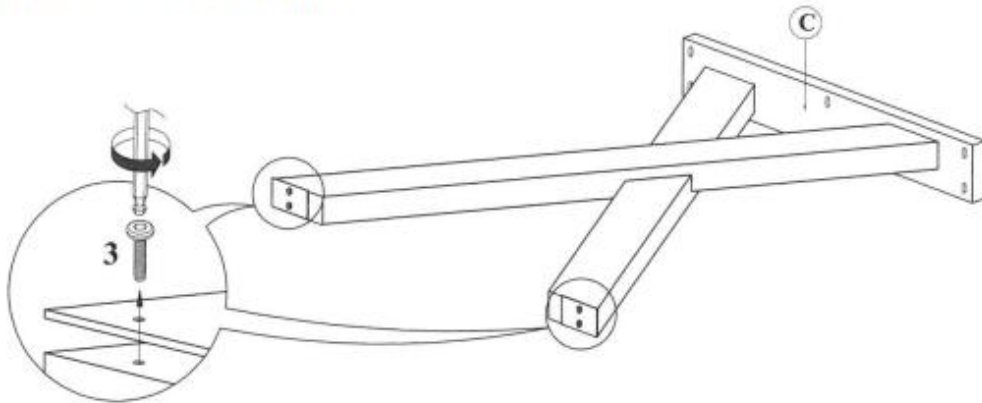
HARDWARE IDENTIFICATION:**Z-B2 (BOX2) - HARDWARE PACK IS LOCATED IN (B2)**

1		ALLEN WRENCH	1PC
2		LONG BOLT	2PCS
3		SHORT BOLT	4PCS
4		LOCK WASHER	14PCS
5		FLAT WASHER	14PCS

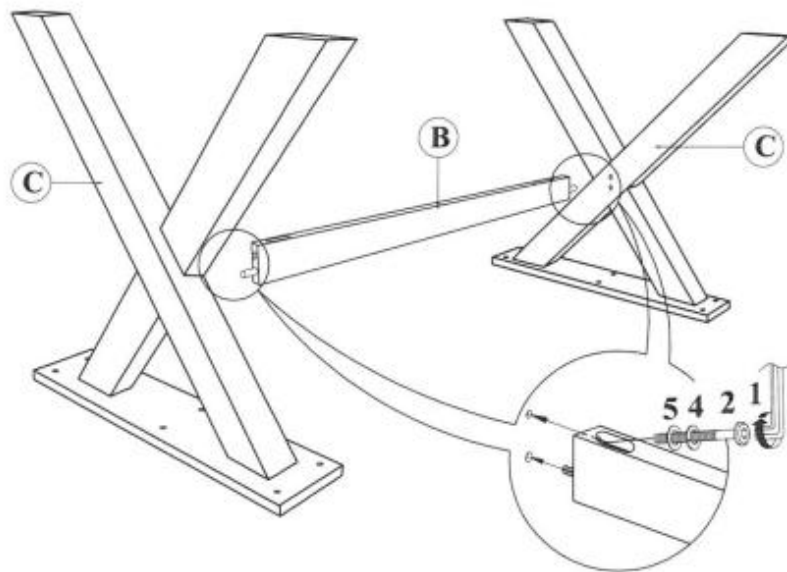
STEP 1

Unscrew short bolt to detach plywood from table leg.

(Pls keep the short bolt to be use in STEP 3)



STEP 2



STEP 3



STEP 4

