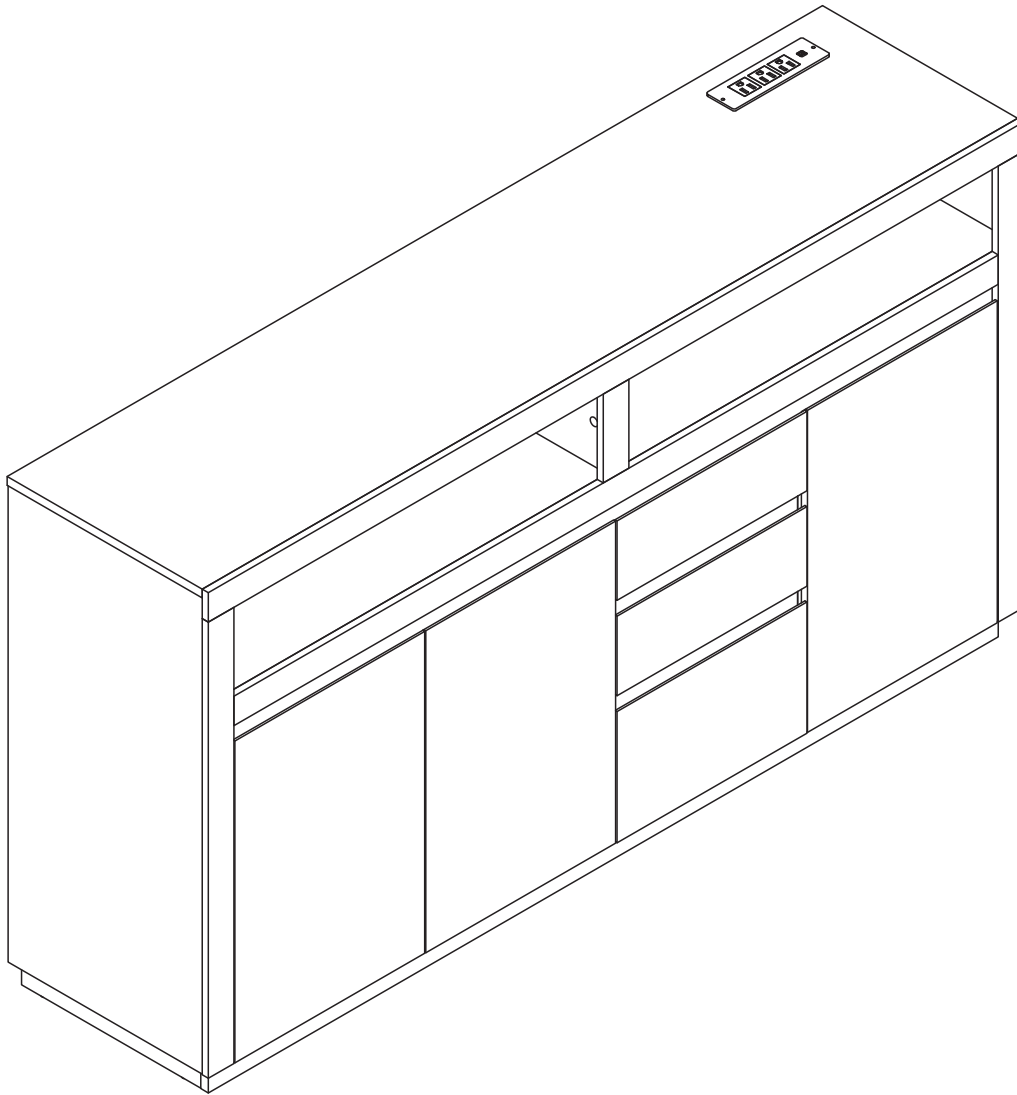


Cabinet > Manual



Thank you for purchase on our products. Please contact us if you have difficulty with assembly or need replacement parts. Our customer service is here to assist you. Please attach your User Name or Order ID so that we can assist you better.

Vielen Dank für Ihren Kauf von uns Produkten. Bitte kontaktieren Sie uns, wenn Sie Probleme mit Montage haben oder Ersatzteile benötigen. Wir Kundenservice ist für Sie da. Bitte geben Sie Ihren Benutzernamen oder Ihre Bestellnummer an, damit wir Sie besser unterstützen können.

EN

WARNING

Serious or fatal injury may occur from unexpected assembly or use.

1. During the assembly process, keep all parts away from babies or children.
2. Always securely fix this product to the wall. Make sure the wall area to be drilled is free from hidden electrical wires, water and gas pipes.
3. Use of tip-over restraints may only reduce, but not eliminate the risk of tip-over.
4. Unless specially designed to accommodate, do not set heavy objects on top of this product.
5. Place the heaviest items on the lowest shelf.
6. Never allow children to climb or bang on drawers, doors or shelves.

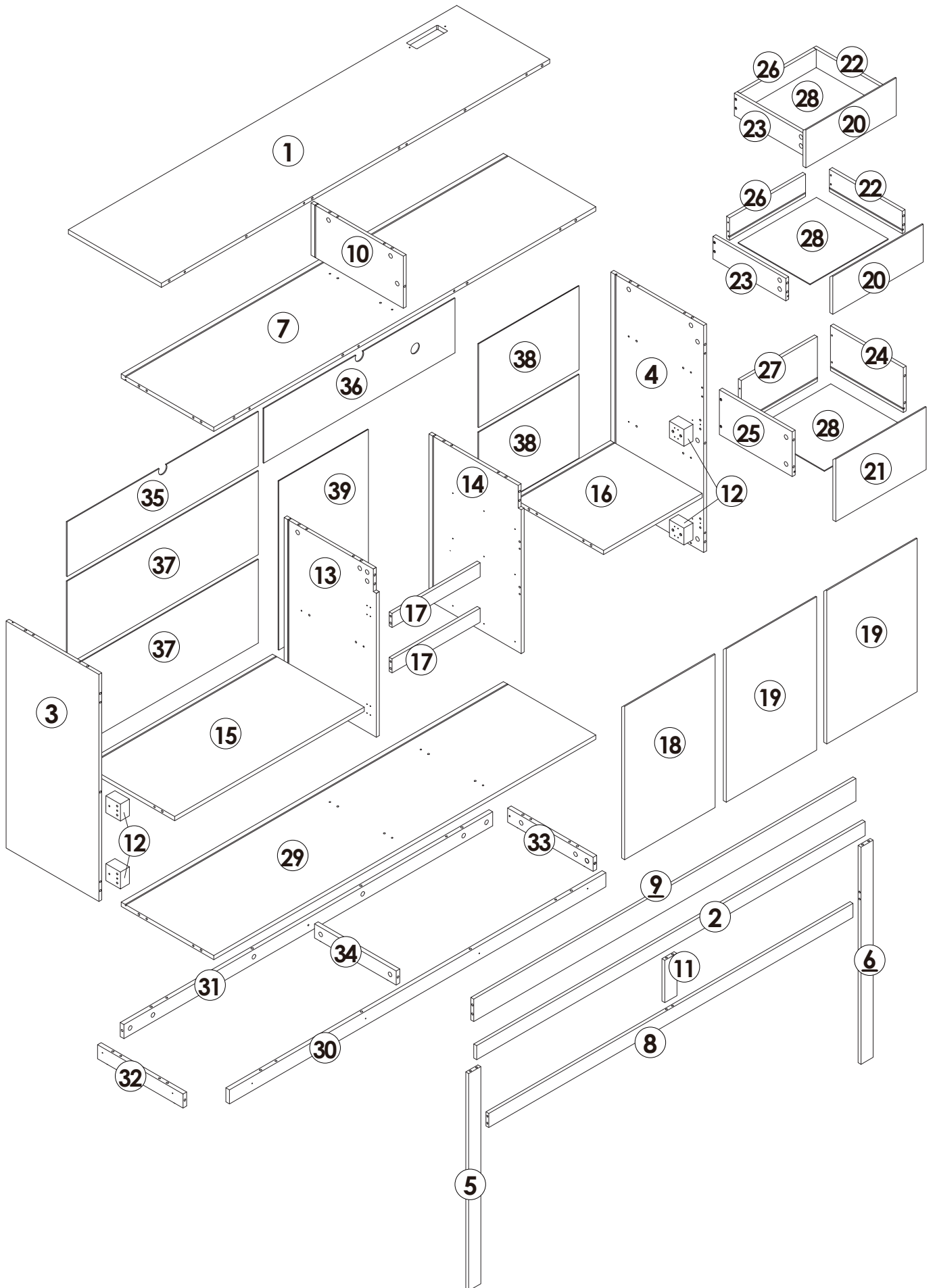
DE

WARNUNG

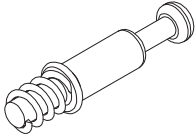

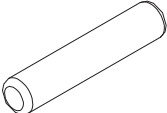
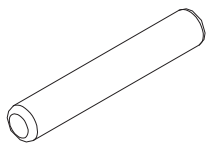
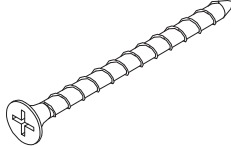
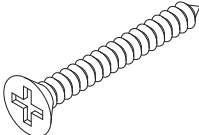
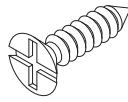
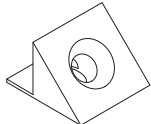
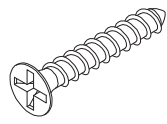

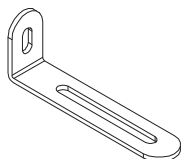
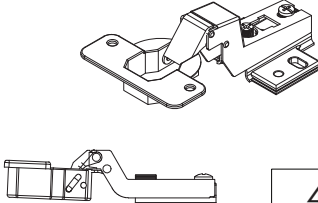
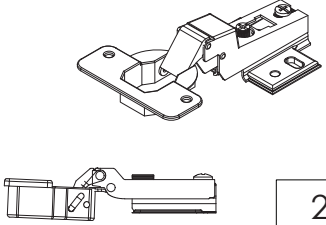
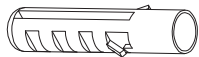
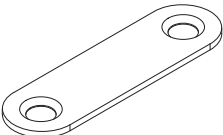
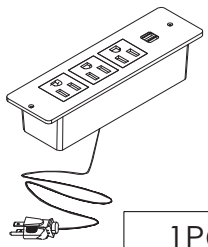
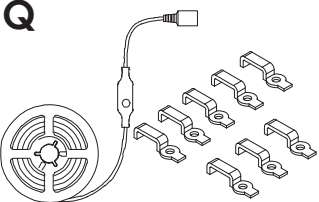

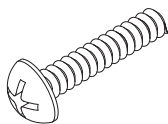
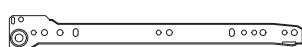
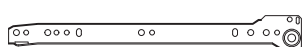
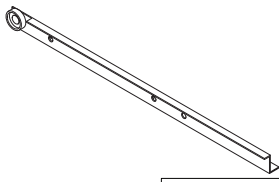
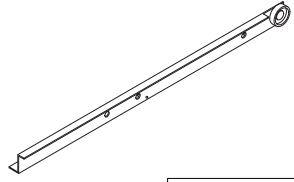
Bei unerwarteter Montage oder Verwendung können schwere oder tödliche Verletzung auftreten.

1. Legen Sie in den Montageprozess alle Teile weg von Babys oder Kindern.
2. Stellen Sie sicher, dass der gebohrte Wandbereich frei von verborgenen Stromkabeln, Wasser- und Gasleitungen ist, wenn Sie dieses Produkt an der Wand befestigen.
3. Die Verwendung von Kippsicherungen kann die Gefahr eines Kippens nur verringern, jedoch nicht beseitigen.
4. Setzen Sie bitte keine schweren Gegenstände auf dieses Produkt, es sei denn, dass das Produkt speziell für die Unterbringung konzipiert wird.
5. Legen Sie bitte die schwersten Gegenstände auf das unterste Regal.
6. Erlauben Sie nie Kindern, auf Schubladen, Türen oder Regale zu klettern oder zu knallen.

Parts List(EN) / Teile Liste(DE)

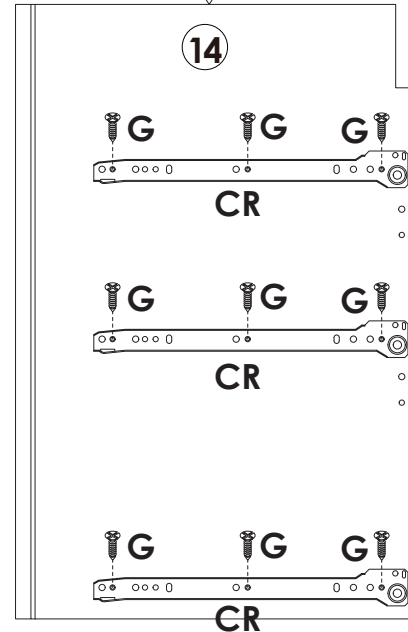
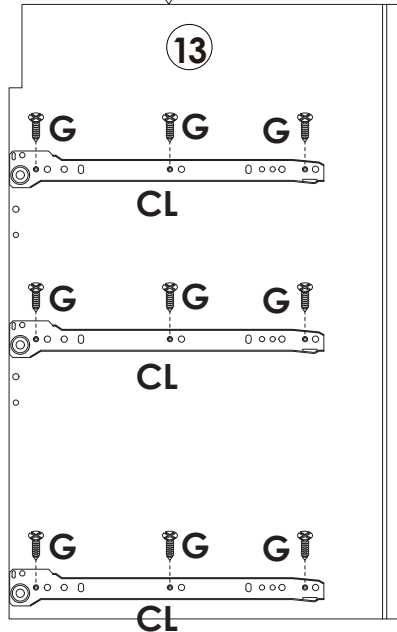
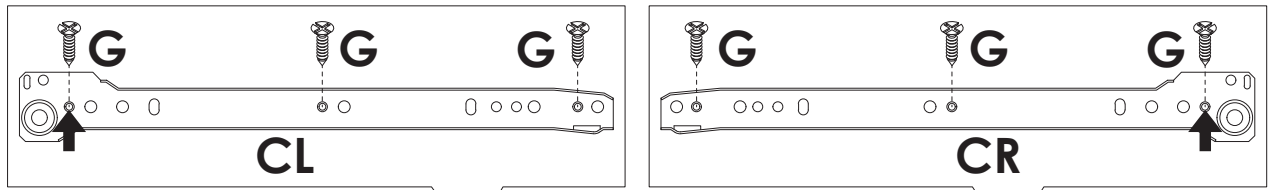


Parts List(EN) / Teile Liste(DE)

<p>A</p>  <p>M6×33.5mm 85+2PCS</p>	<p>B</p>  <p>∅15×9.5mm 85+2PCS</p>	<p>C</p>  <p>∅6×30mm 64+2PCS</p>	
<p>D</p>  <p>∅6×40mm 12+1PCS</p>	<p>E</p>  <p>M4×50mm 6+1PCS</p>	<p>F</p>  <p>M4×35mm 14+1PCS</p>	
<p>G</p>  <p>M3×12mm 86+2PCS</p>	<p>H</p>  <p>28+2PCS</p>	<p>I</p>  <p>M3×16mm 28+2PCS</p>	
<p>J</p>  <p>M4×14mm 2PCS</p>	<p>K</p>  <p>2PCS</p>	<p>L</p>  <p>4PCS</p>	
<p>M</p>  <p>2PCS</p>	<p>N</p>  <p>∅8×38mm 2PCS</p>	<p>O</p>  <p>2PCS</p>	
<p>P</p>  <p>1PC</p>	<p>Q</p>  <p>1SET</p>	<p>R</p>  <p>9+1PCS</p>	<p>S</p>  <p>M5×30mm 8+1PCS</p>
<p>CL</p>  <p>L300mm 3PCS</p>	<p>CR</p>  <p>L300mm 3PCS</p>	<p>DL</p>  <p>L300mm 3PCS</p>	<p>DR</p>  <p>L300mm 3PCS</p>

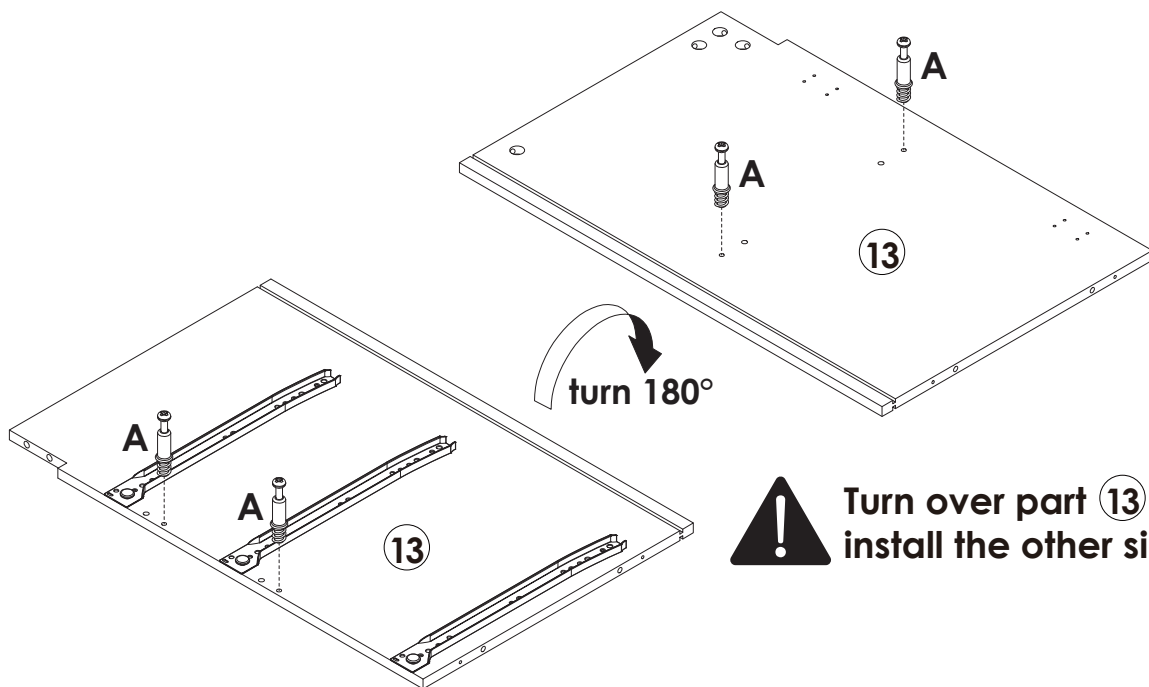
Assembly Steps(EN) / Montageschritte(DE)

STEP 1



	G x 18PCS
	CL x 3PCS
	CR x 3PCS

STEP 2

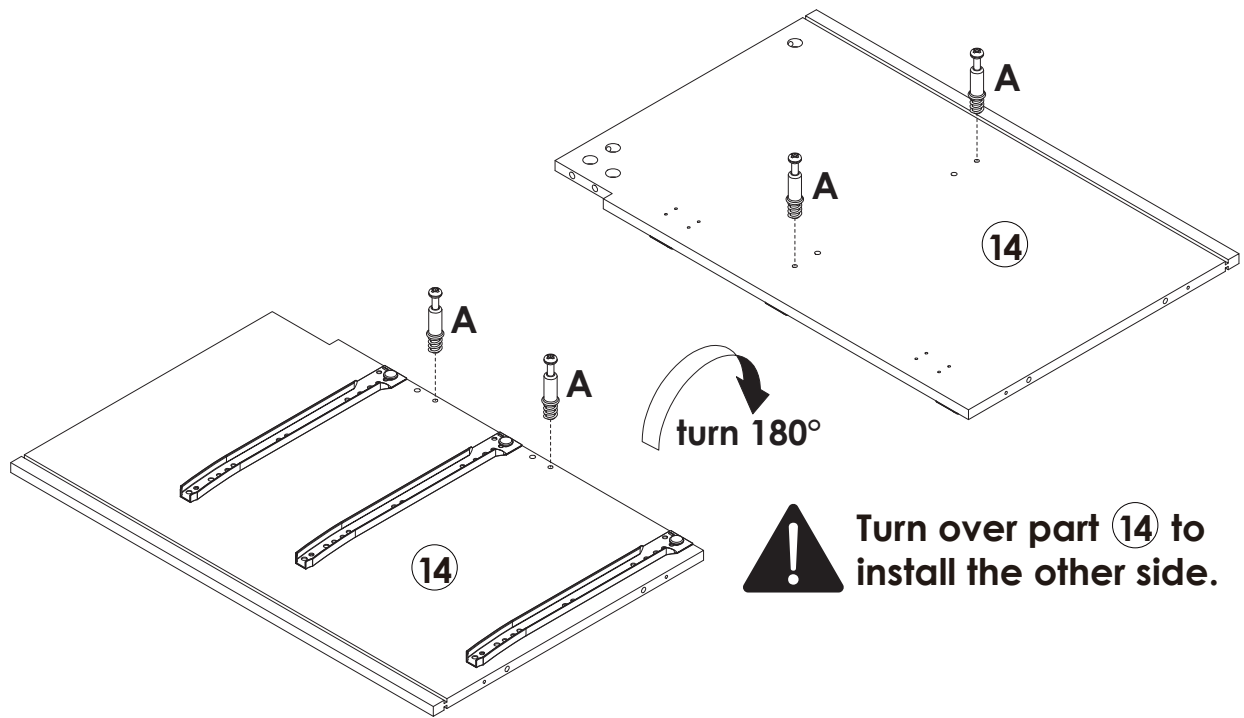


Turn over part 13 to install the other side.

	A x 4PCS
--	-----------------

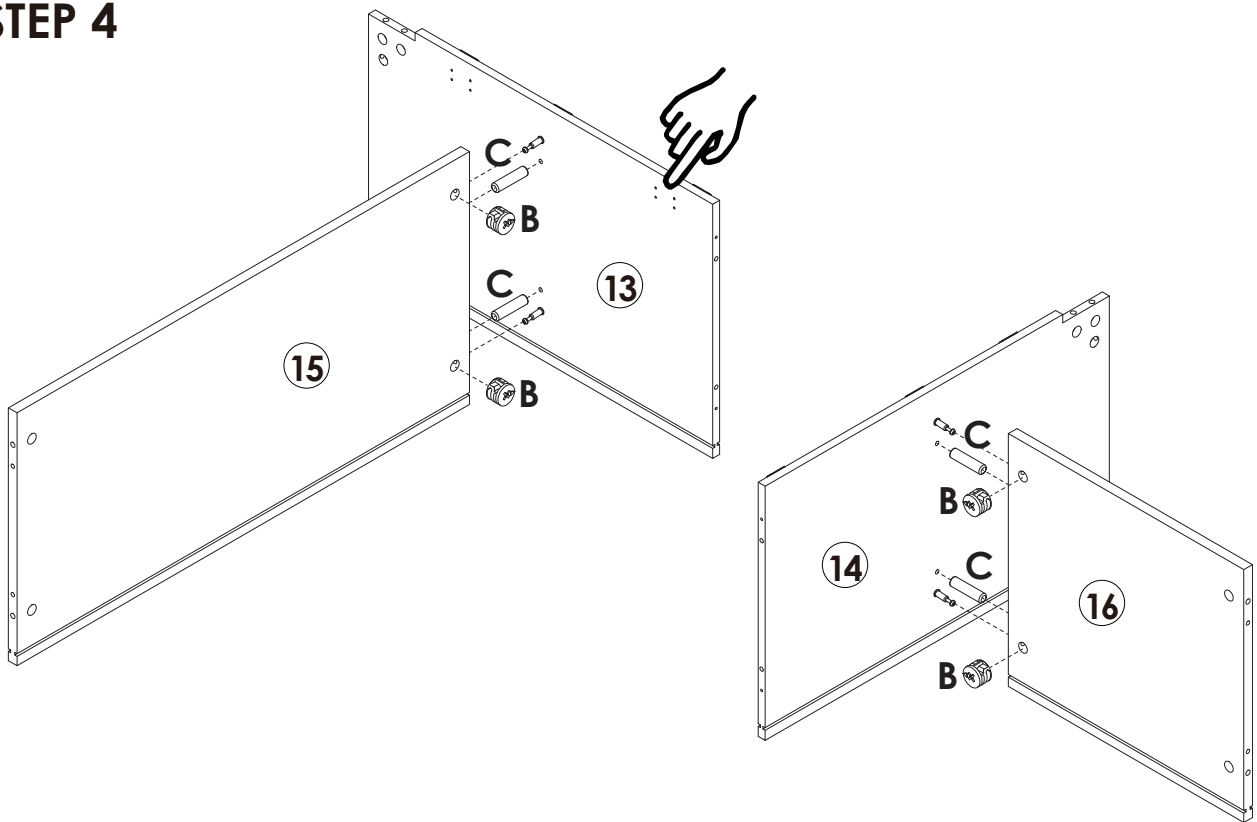
Assembly Steps(EN) / Montageschritte(DE)


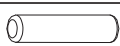
STEP 3

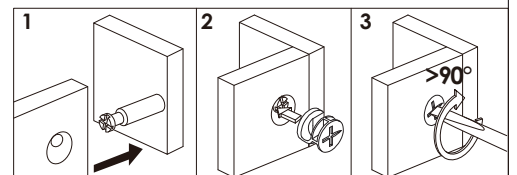


 **A x 4PCS**

STEP 4

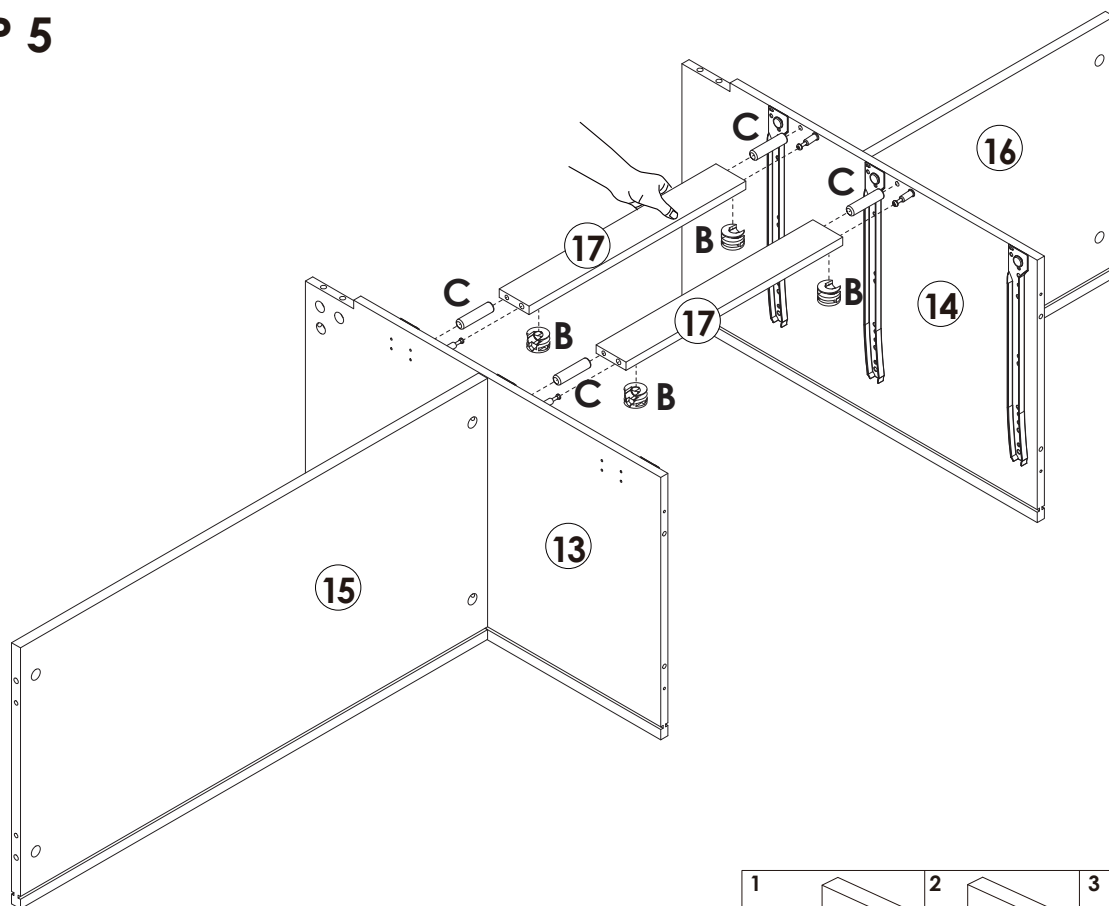




 **B x 4PCS**
 **C x 4PCS**

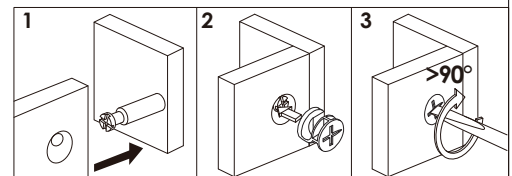


Assembly Steps(EN) / Montageschritte(DE)

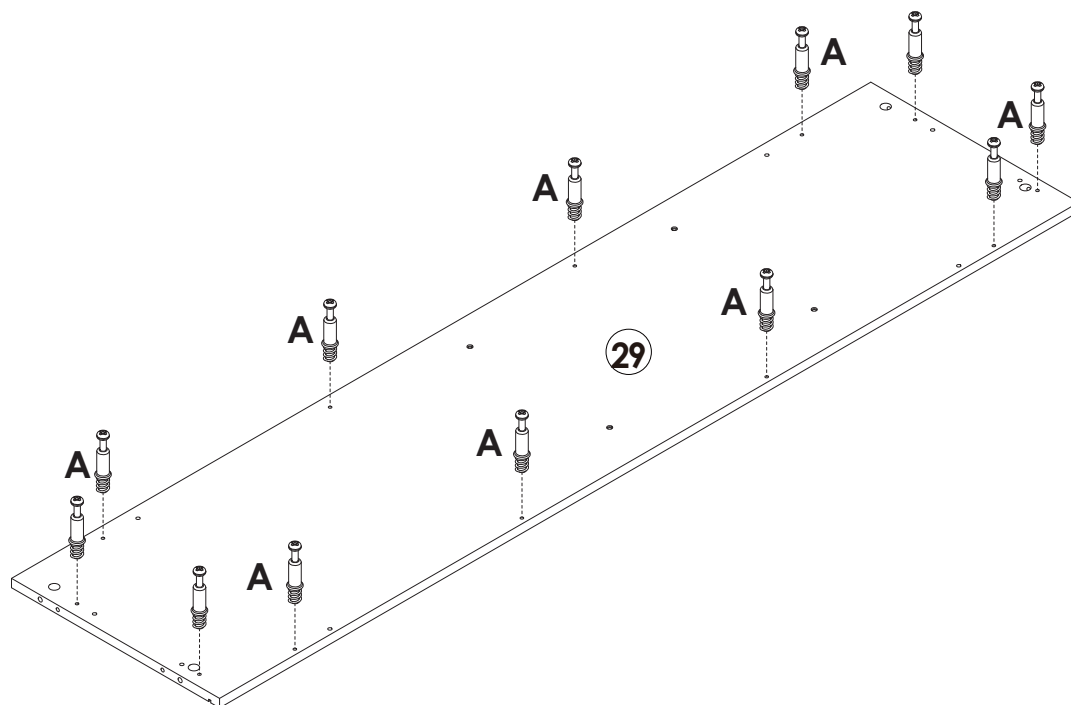
STEP 5



	B x 4PCS
	C x 4PCS



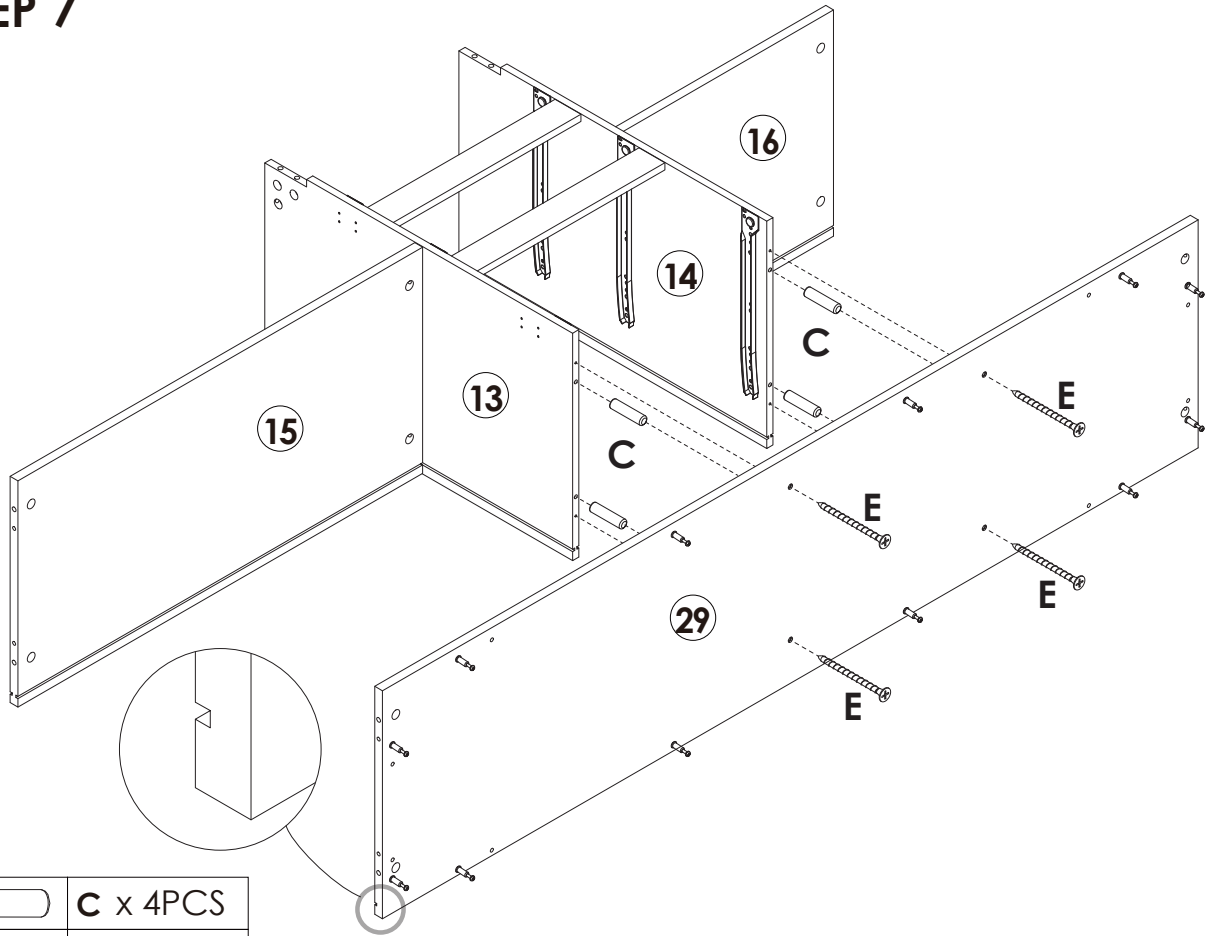
STEP 6

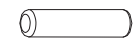
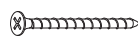


	A x 12PCS
---	------------------

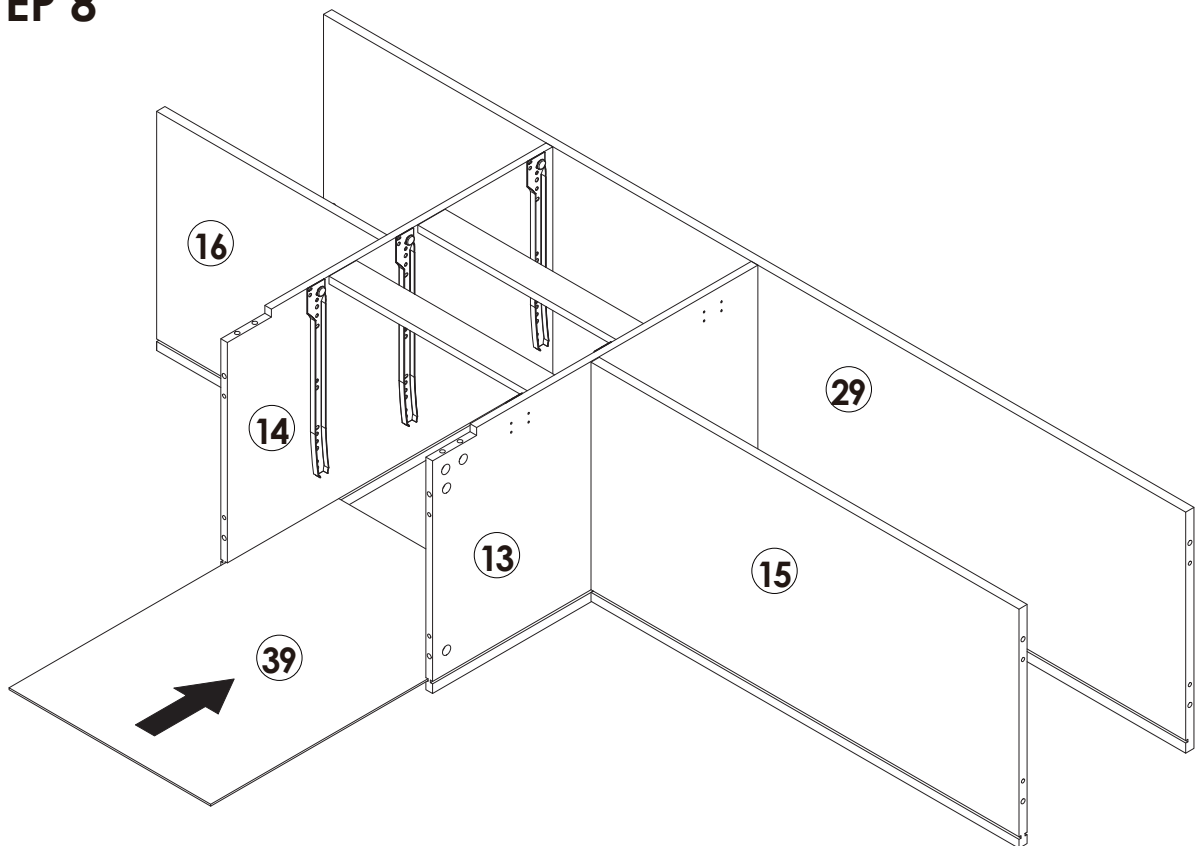
Assembly Steps(EN) / Montageschritte(DE)

STEP 7



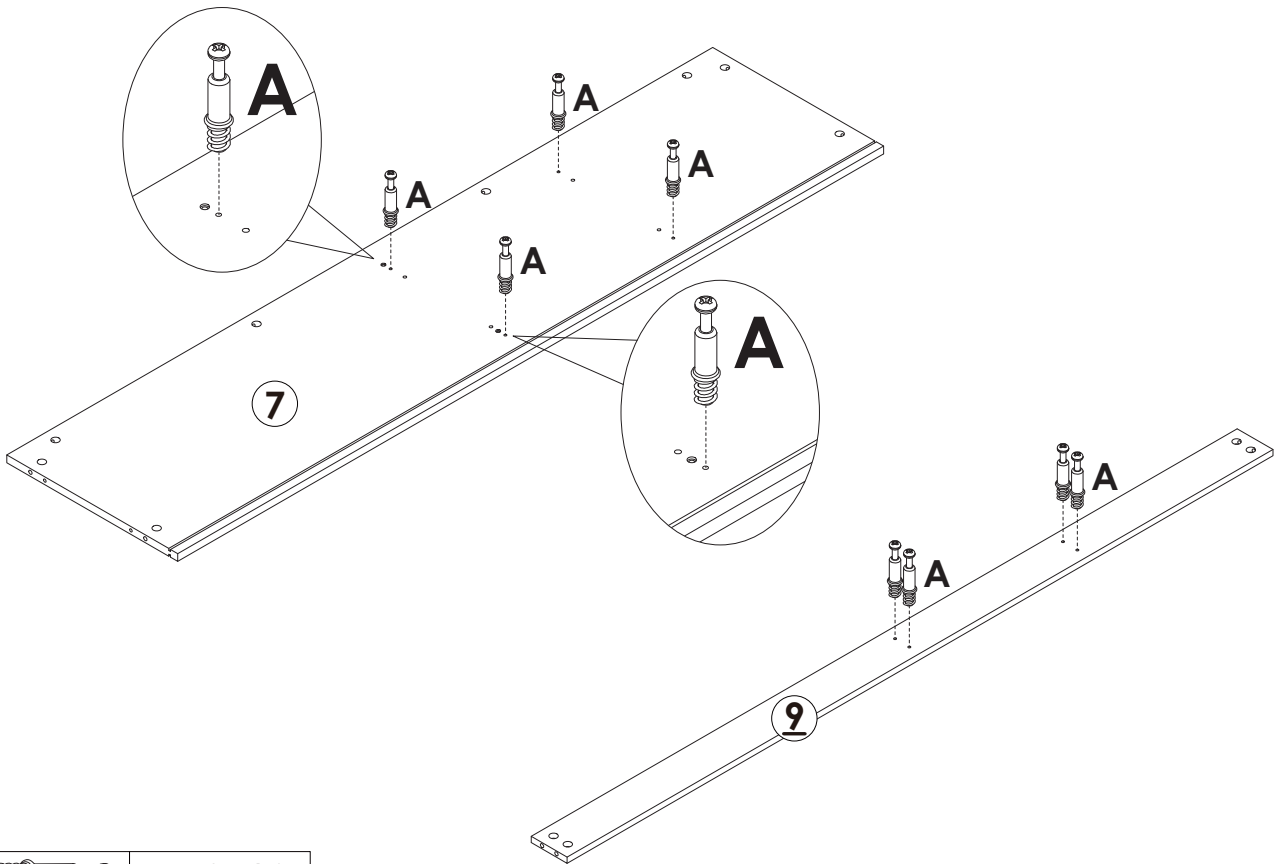
	C x 4PCS
	E x 4PCS

STEP 8



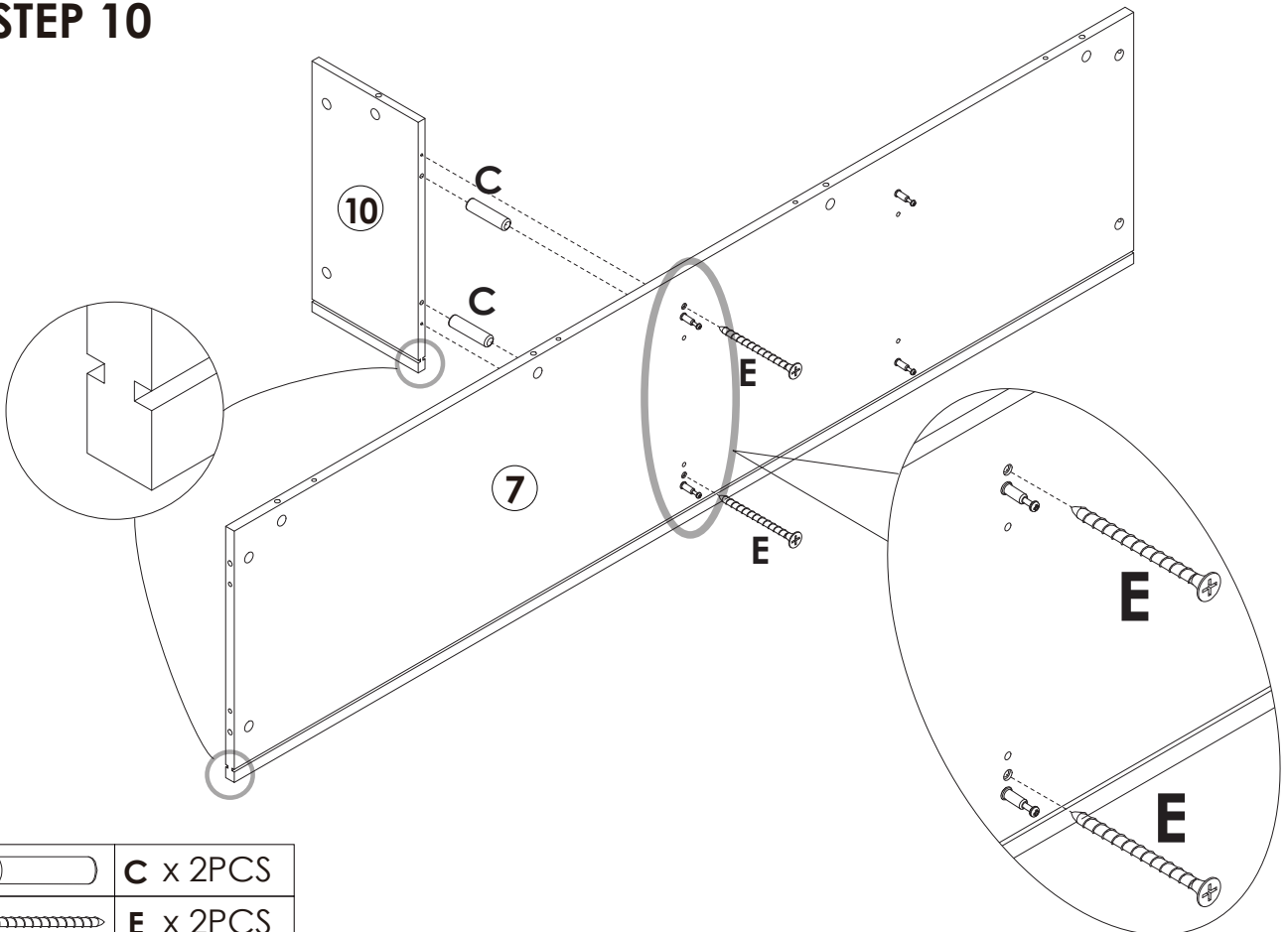
Assembly Steps(EN) / Montageschritte(DE)


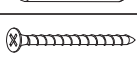
STEP 9



	A x 8PCS
---	-----------------

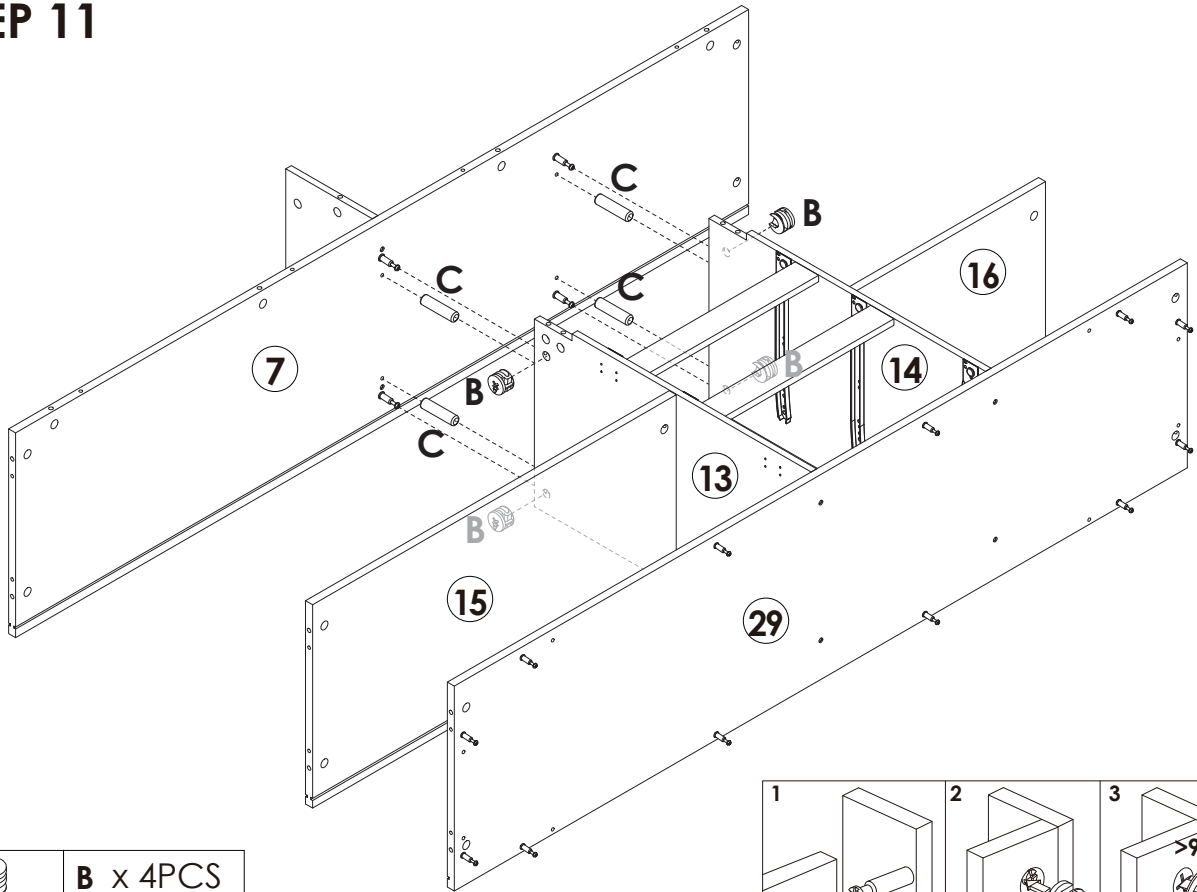
STEP 10





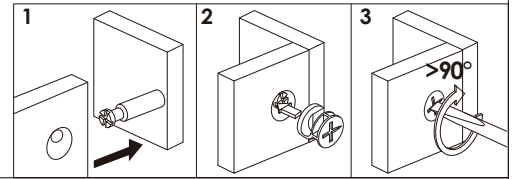
	C x 2PCS
	E x 2PCS

Assembly Steps(EN) / Montageschritte(DE)

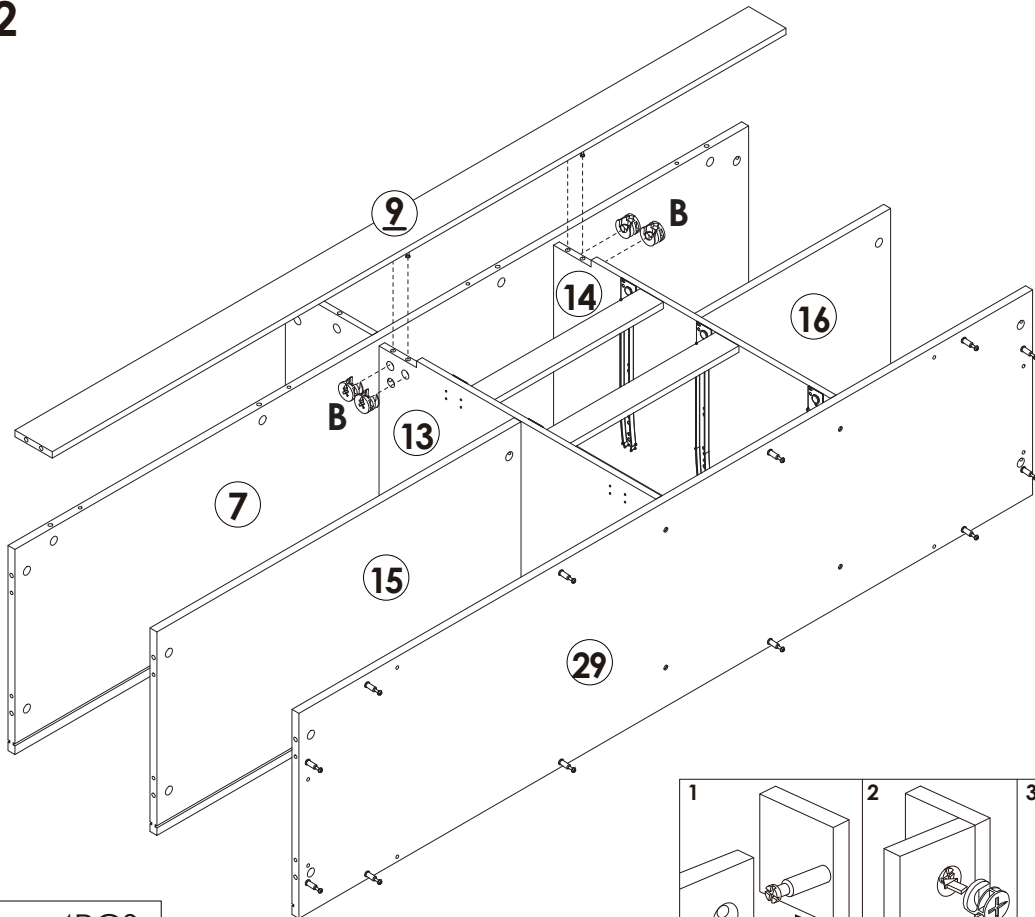
STEP 11




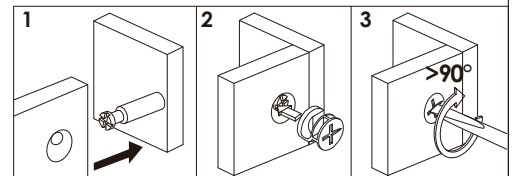
	B x 4PCS
	C x 4PCS



STEP 12

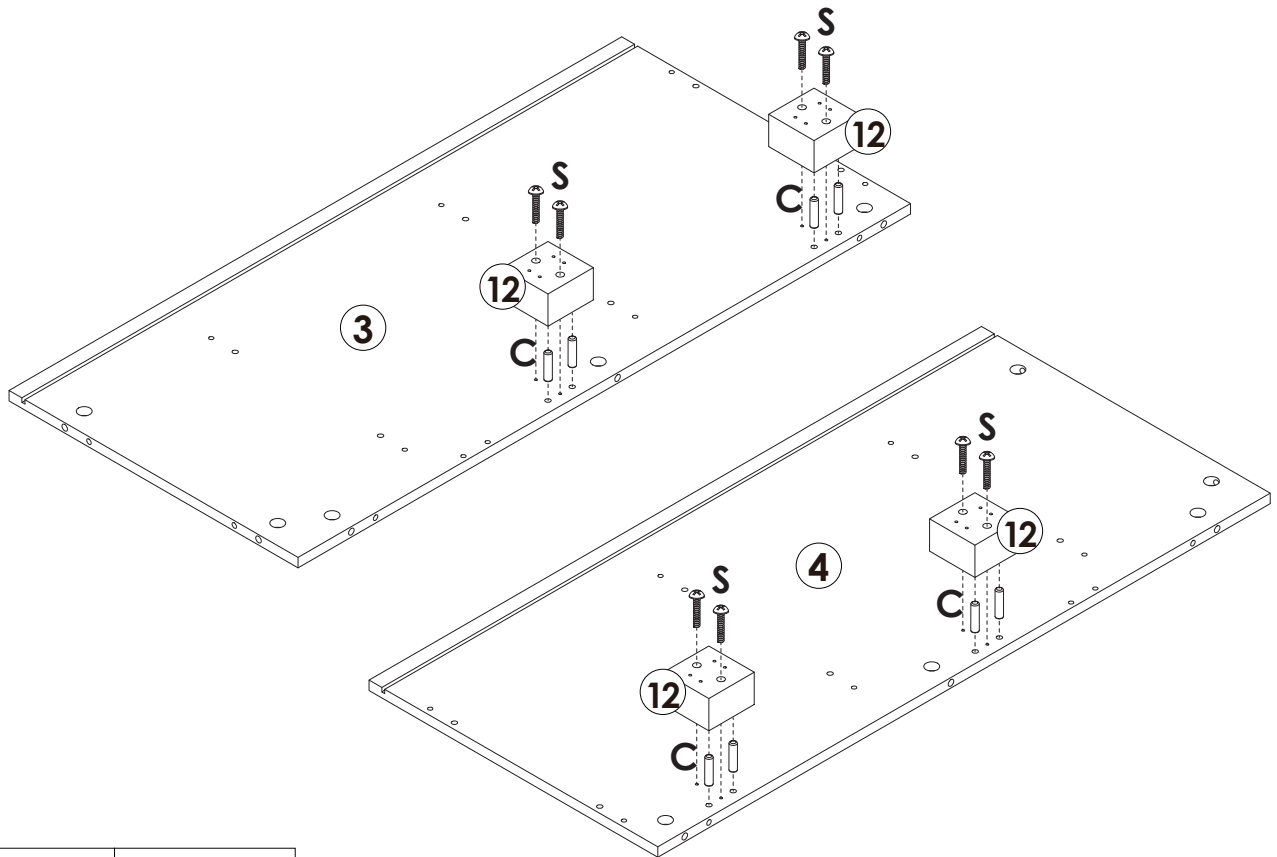


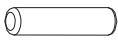

	B x 4PCS
---	-----------------



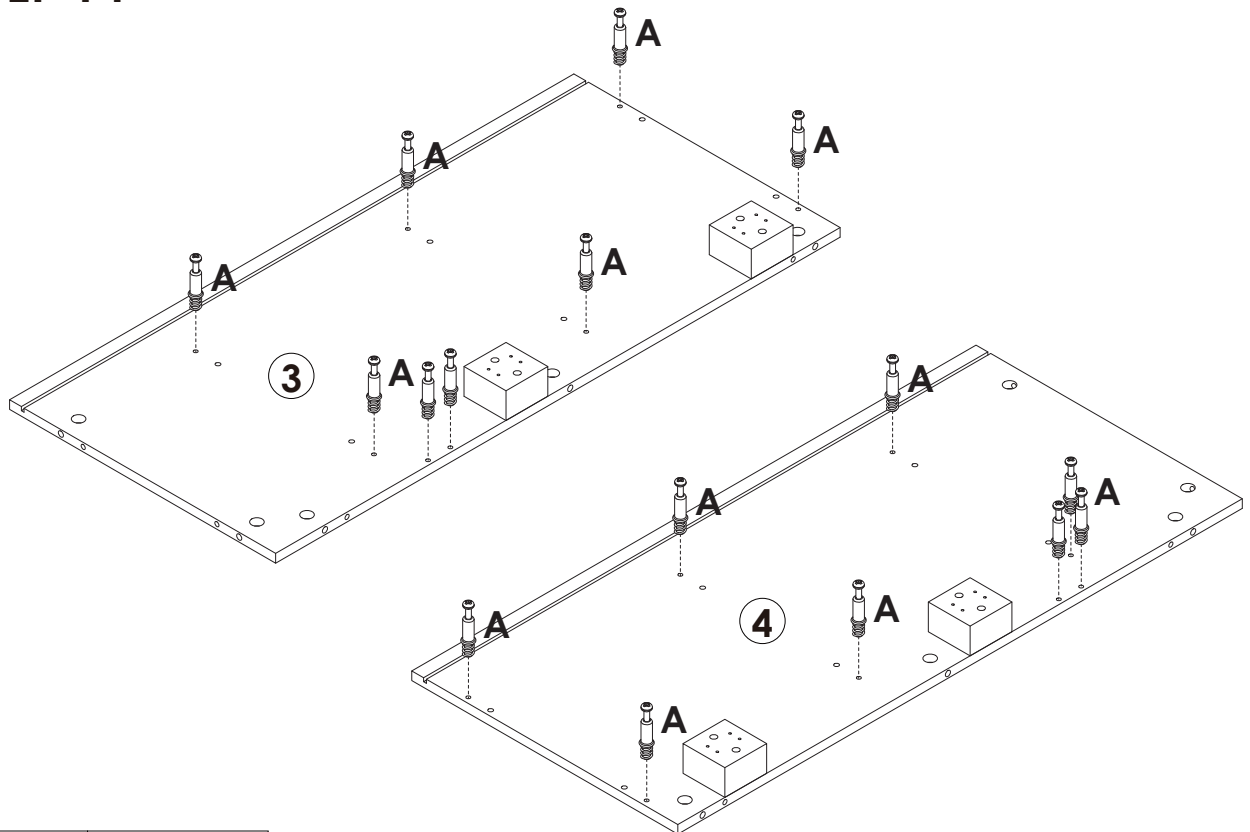
Assembly Steps(EN) / Montageschritte(DE)

STEP 13



	C x 8PCS
	S x 8PCS

STEP 14



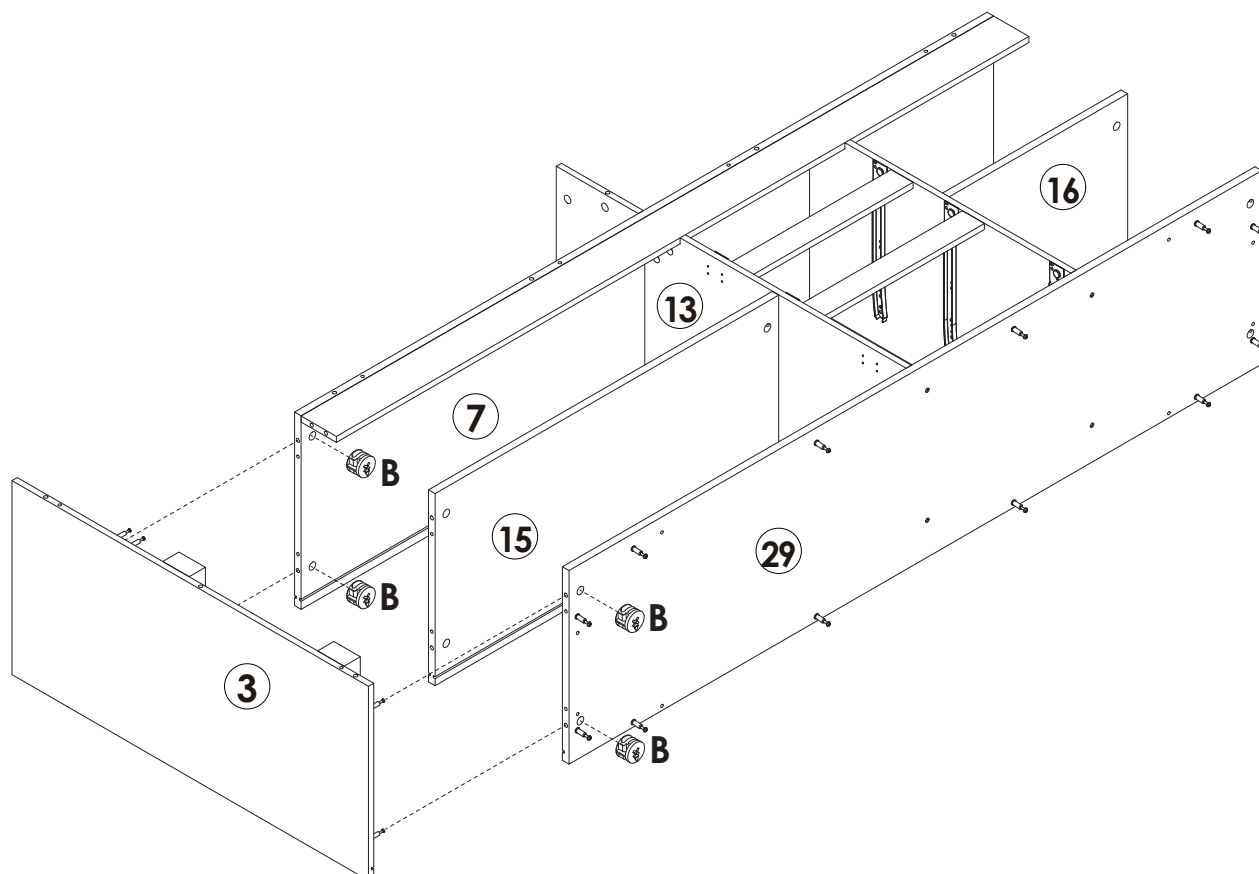
	A x 16PCS
---	------------------

Assembly Steps(EN) / Montageschritte(DE)

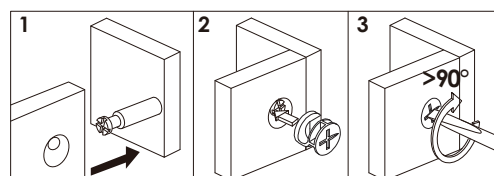
STEP 15



To easily assemble the right side cabinet, please install plate 3 and tighten the 4 accessories "B" before proceeding to the next step (in step 18, plate 3 will be loosened again to assemble the left side cabinet)

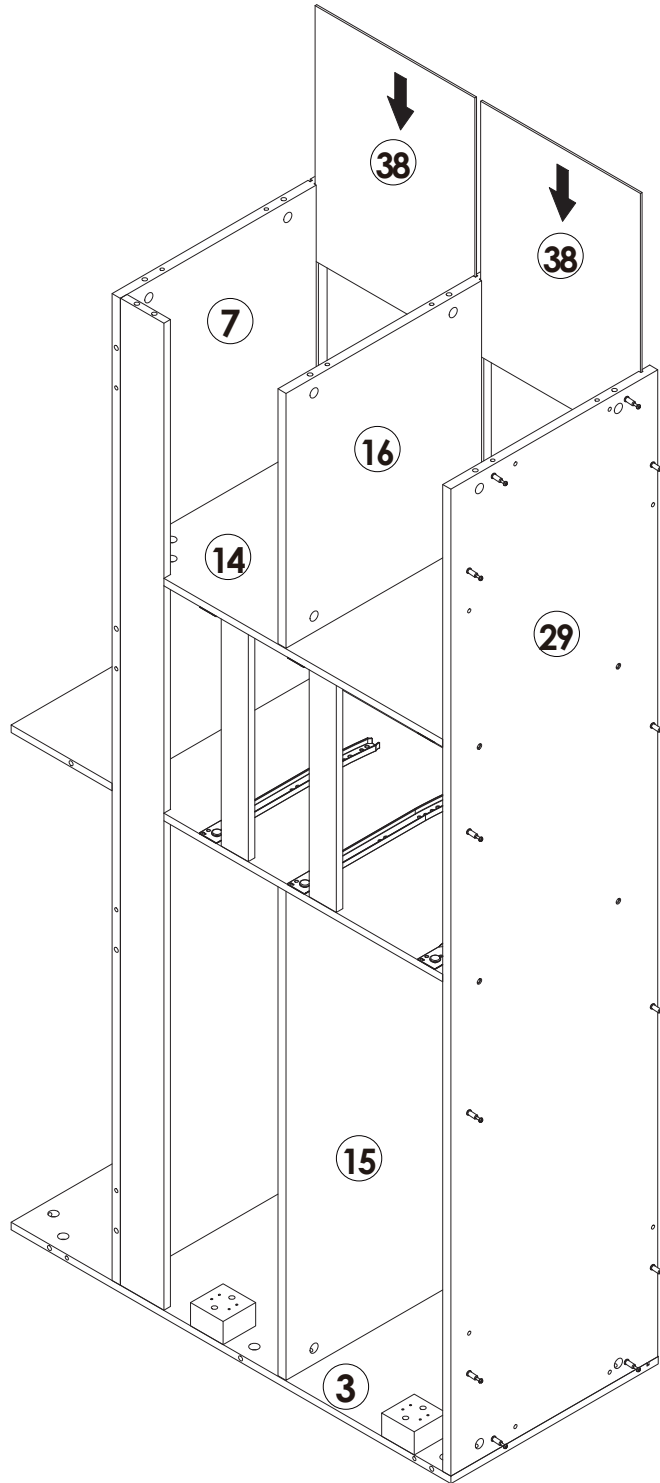


B x 4PCS



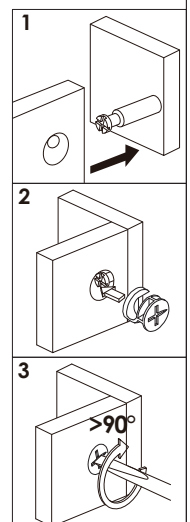
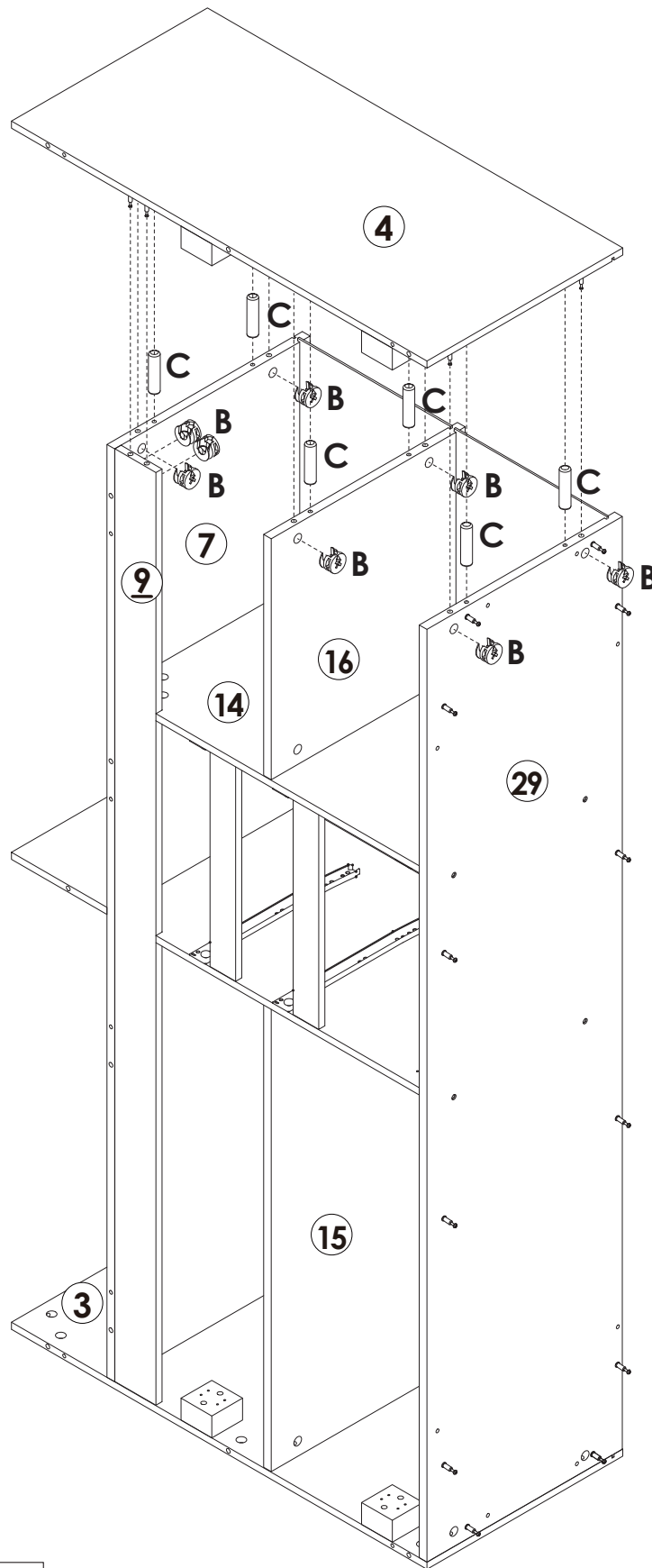
Assembly Steps(EN) / Montageschritte(DE)



STEP 16



Assembly Steps(EN) / Montageschritte(DE)

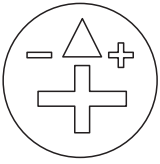
STEP 17



	B x 8PCS
	C x 6PCS

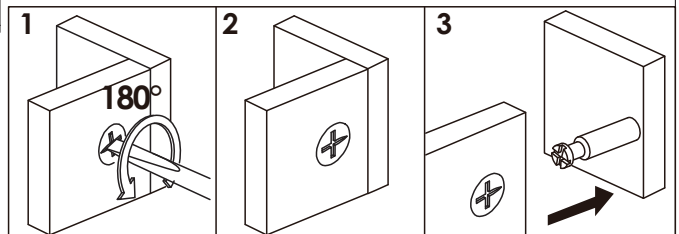
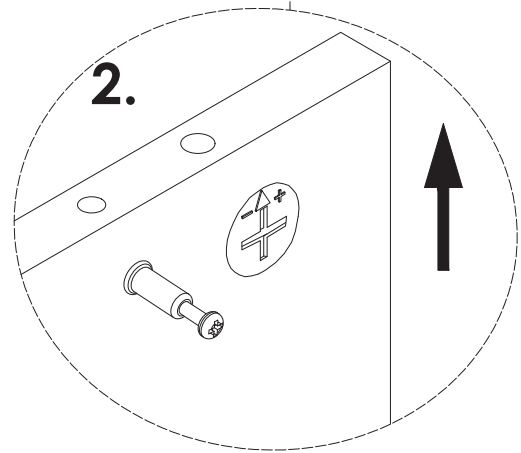
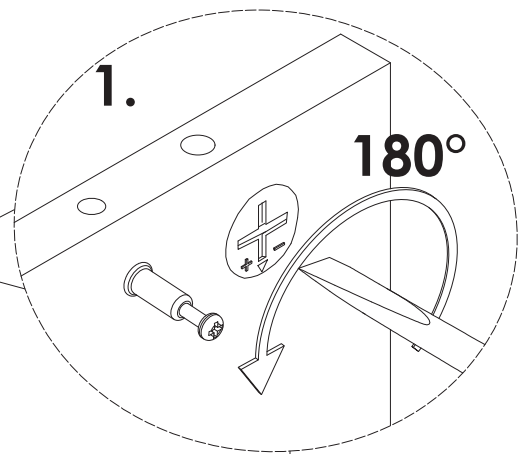
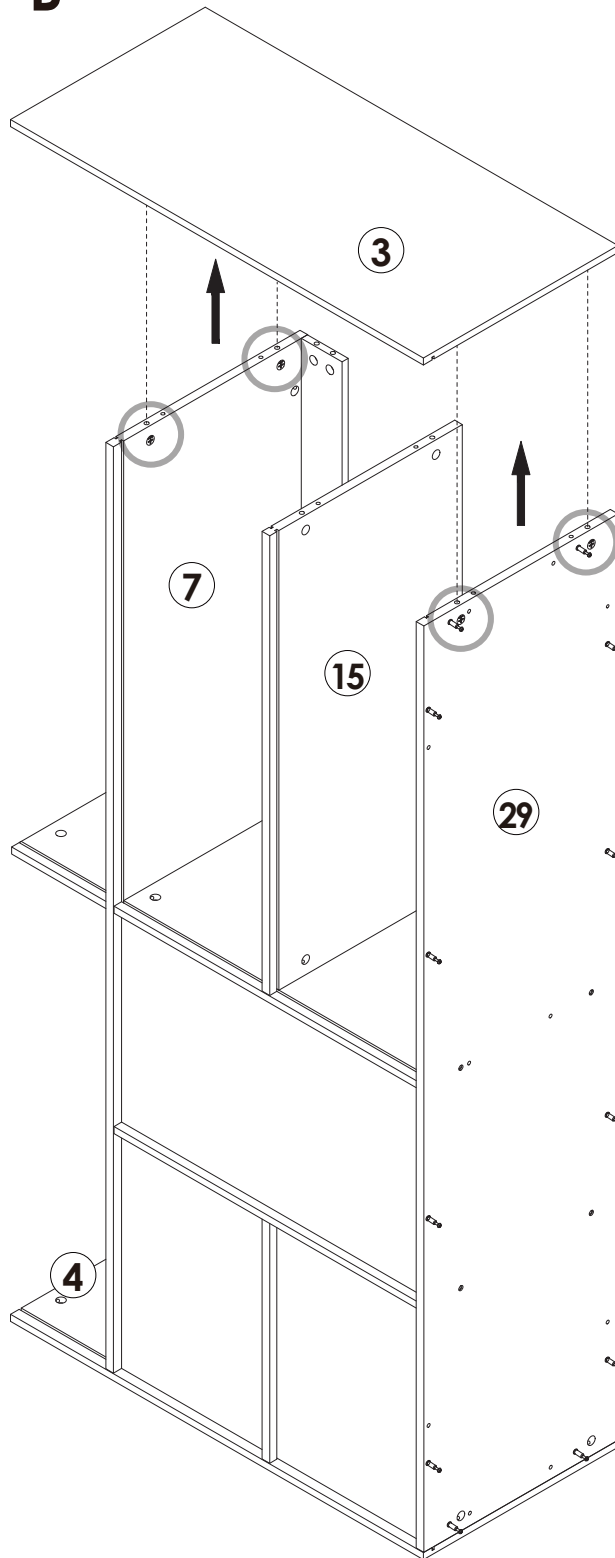
Assembly Steps(EN) / Montageschritte(DE)

STEP 18



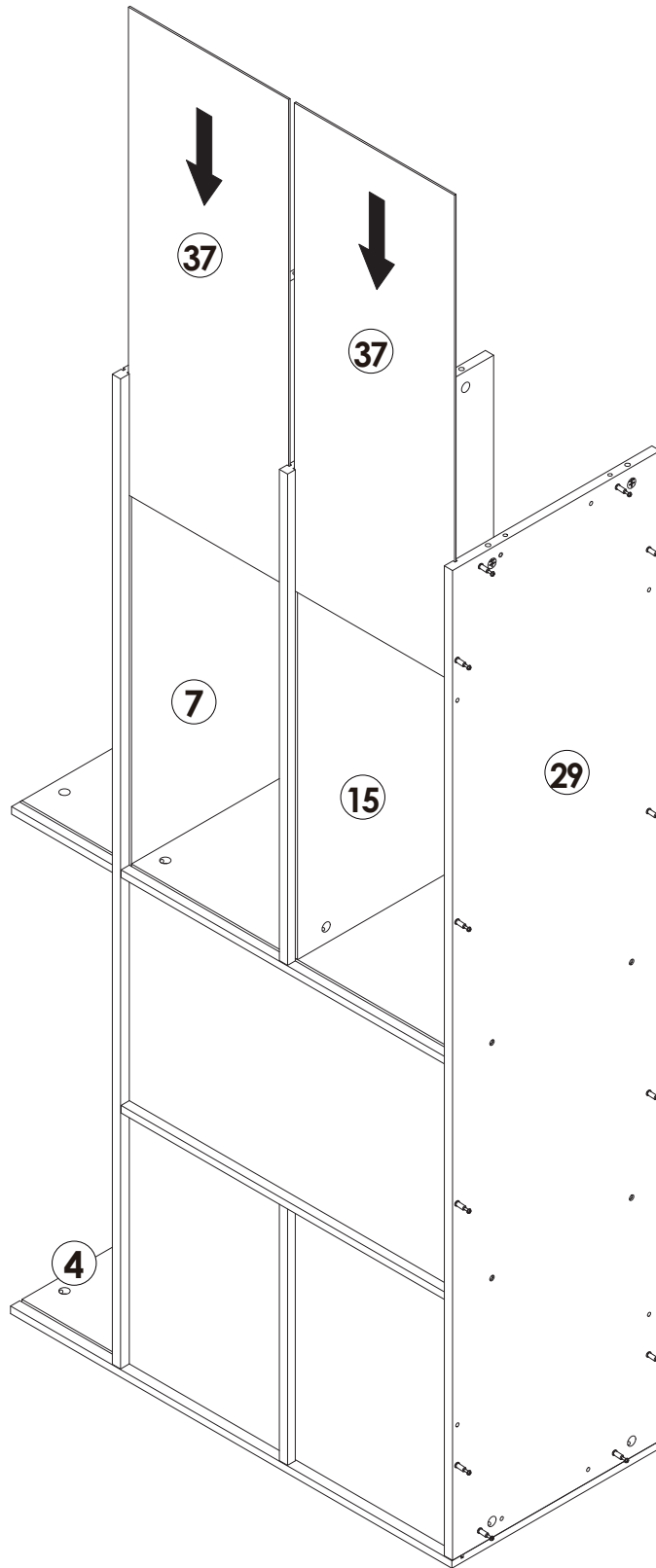
B

Note: Rotate the triangle icons on the 4 accessories "B" to face upwards before releasing the No.3 plate.



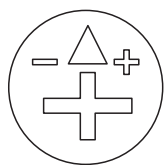
Assembly Steps(EN) / Montageschritte(DE)

STEP 19



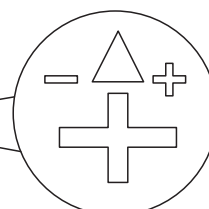
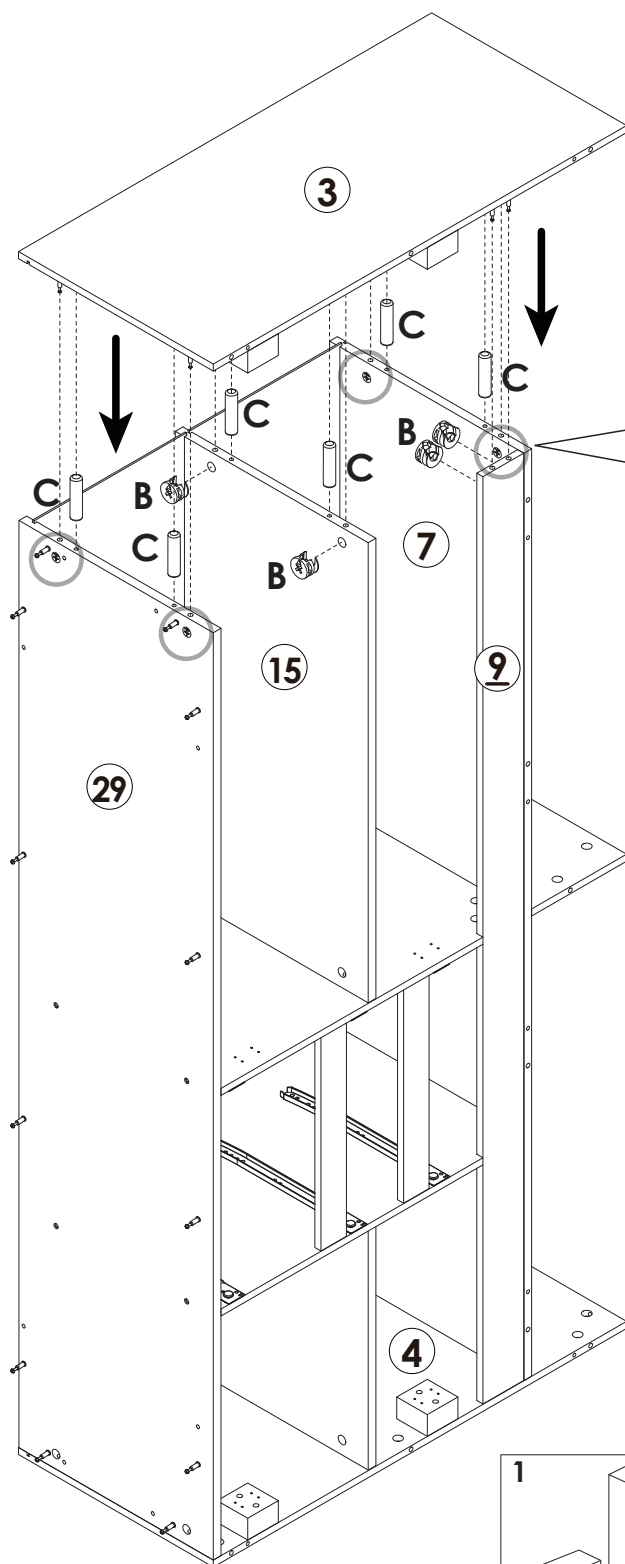
Assembly Steps(EN) / Montageschritte(DE)

STEP 20



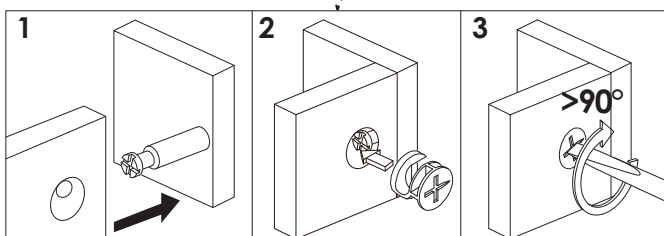
B



Note: If the screws "A" on plate #3 do not fully align with the holes and cannot be pushed down, please check whether the triangular arrow of the "B" fittings on plates #7 and #29 is pointing upwards.



B

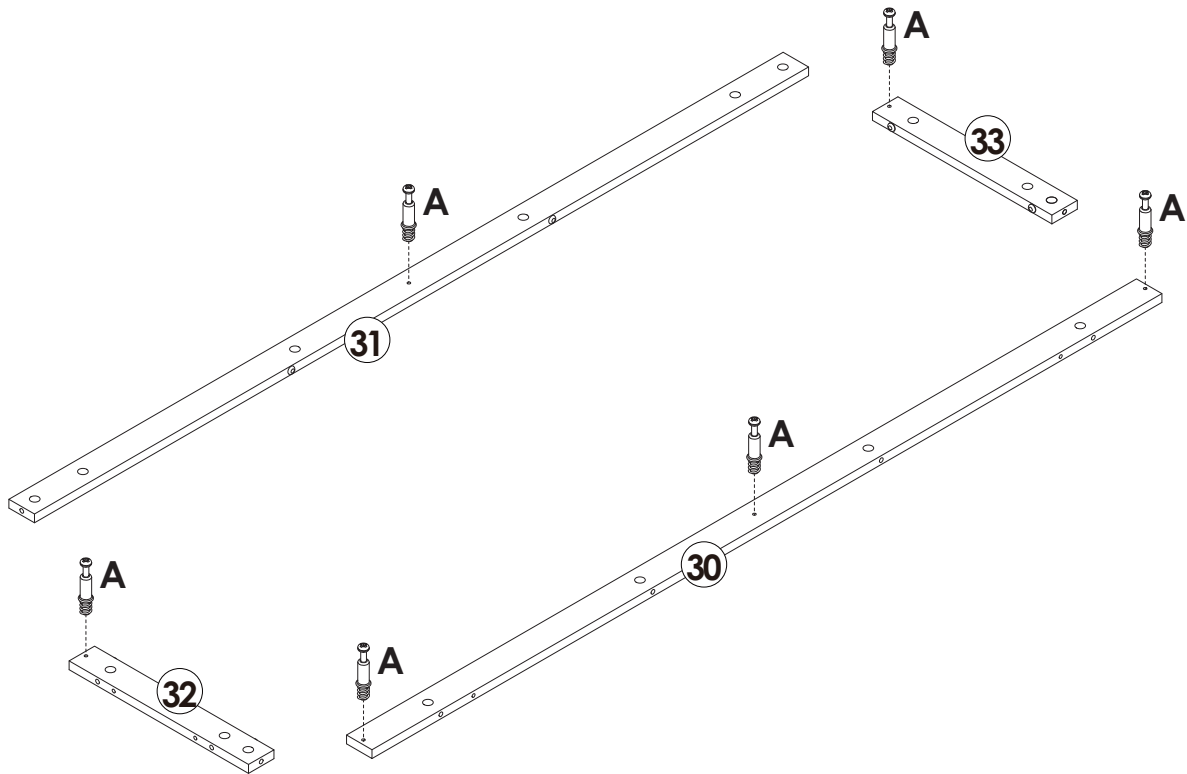
After aligning plate #3 with all the plate holes correctly, then tighten all the "B" fittings. Pay attention to the direction (see picture).



	B x 4PCS
	C x 6PCS

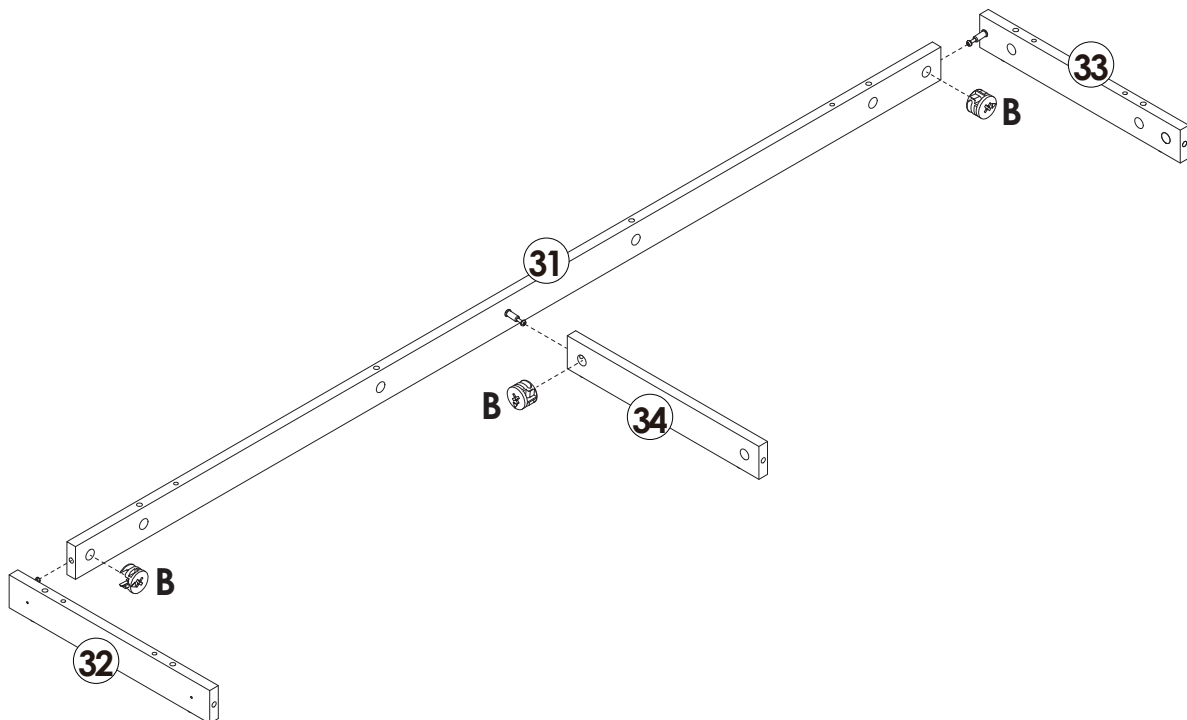
Assembly Steps(EN) / Montageschritte(DE)


STEP 21

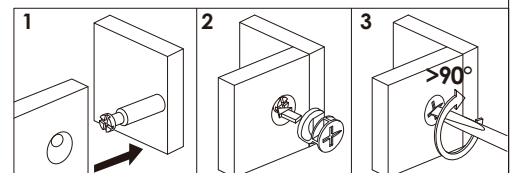


 A x 6PCS

STEP 22

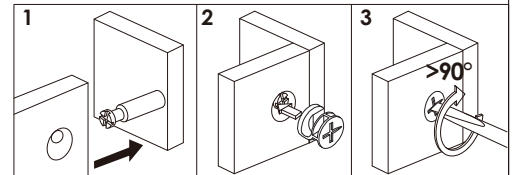
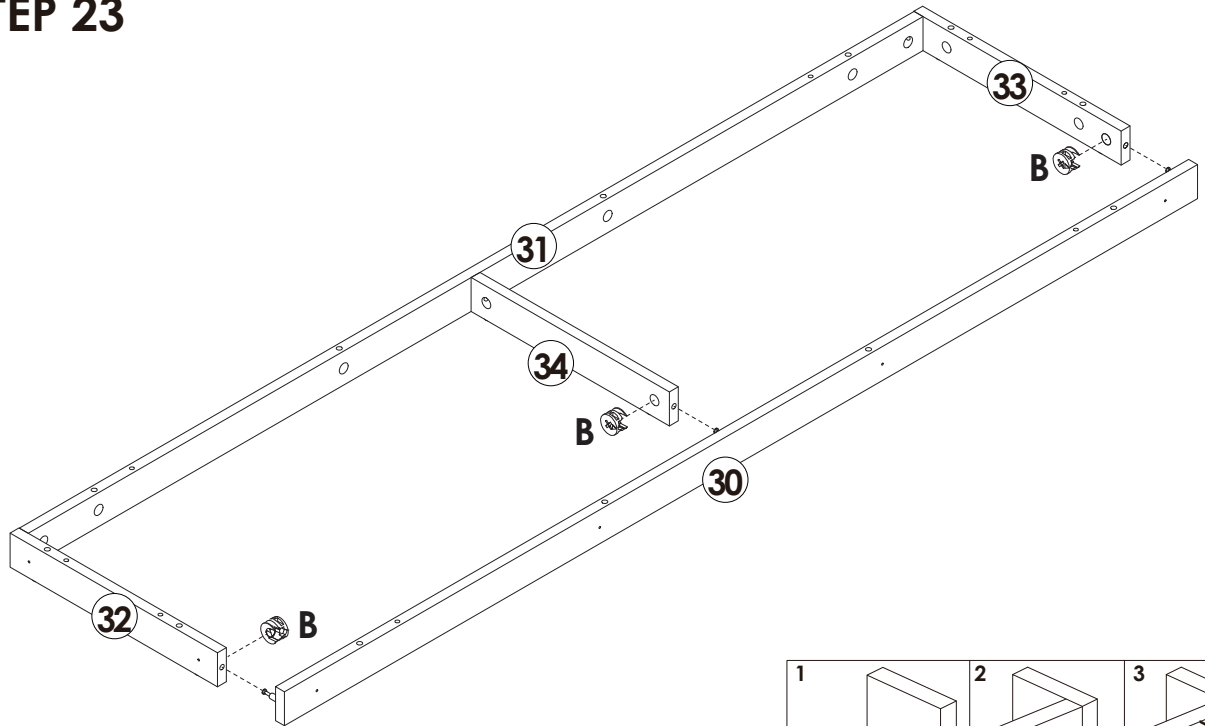


 B x 3PCS



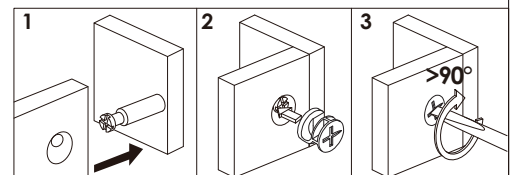
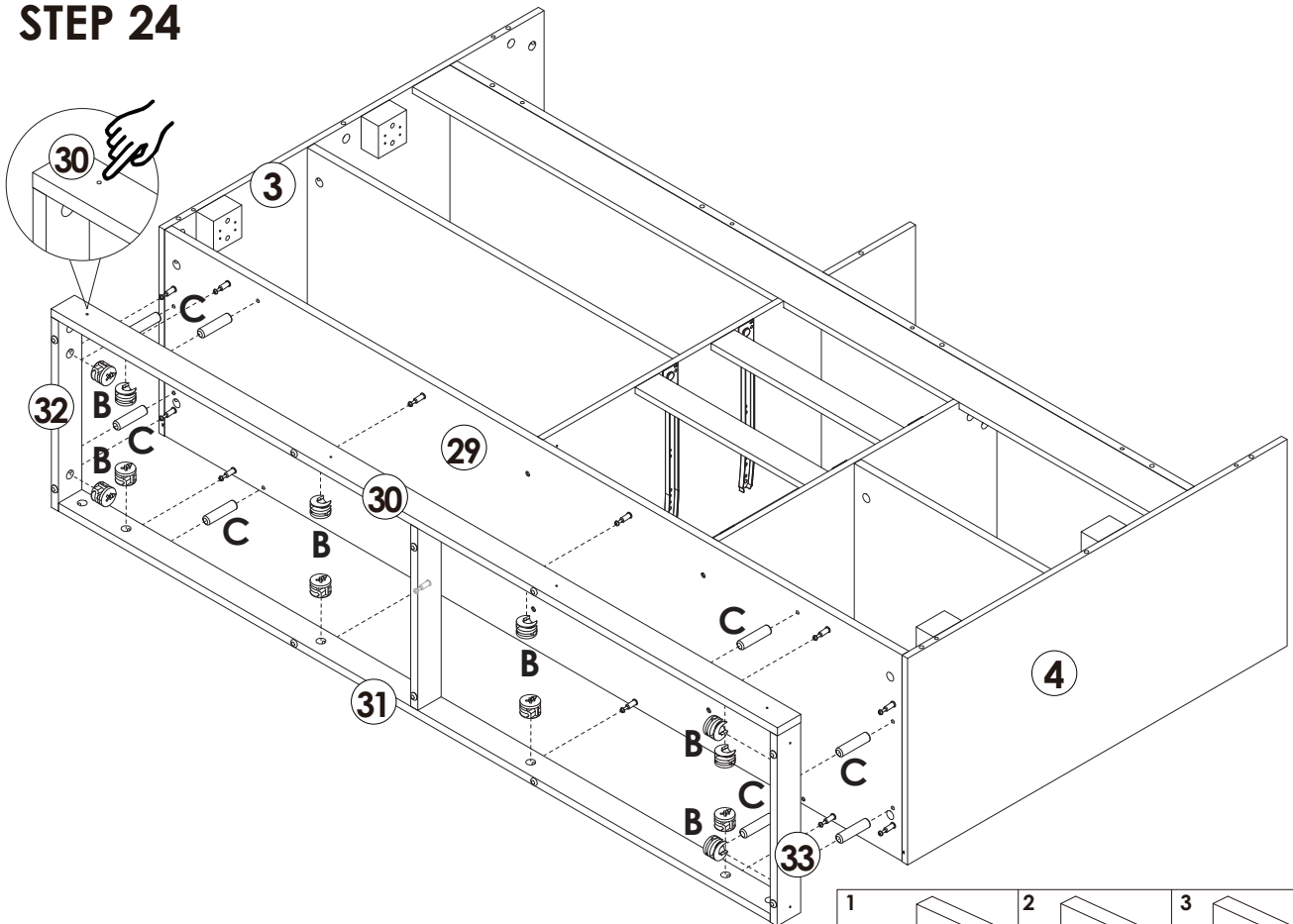
Assembly Steps(EN) / Montageschritte(DE)

STEP 23



B x 3PCS

STEP 24



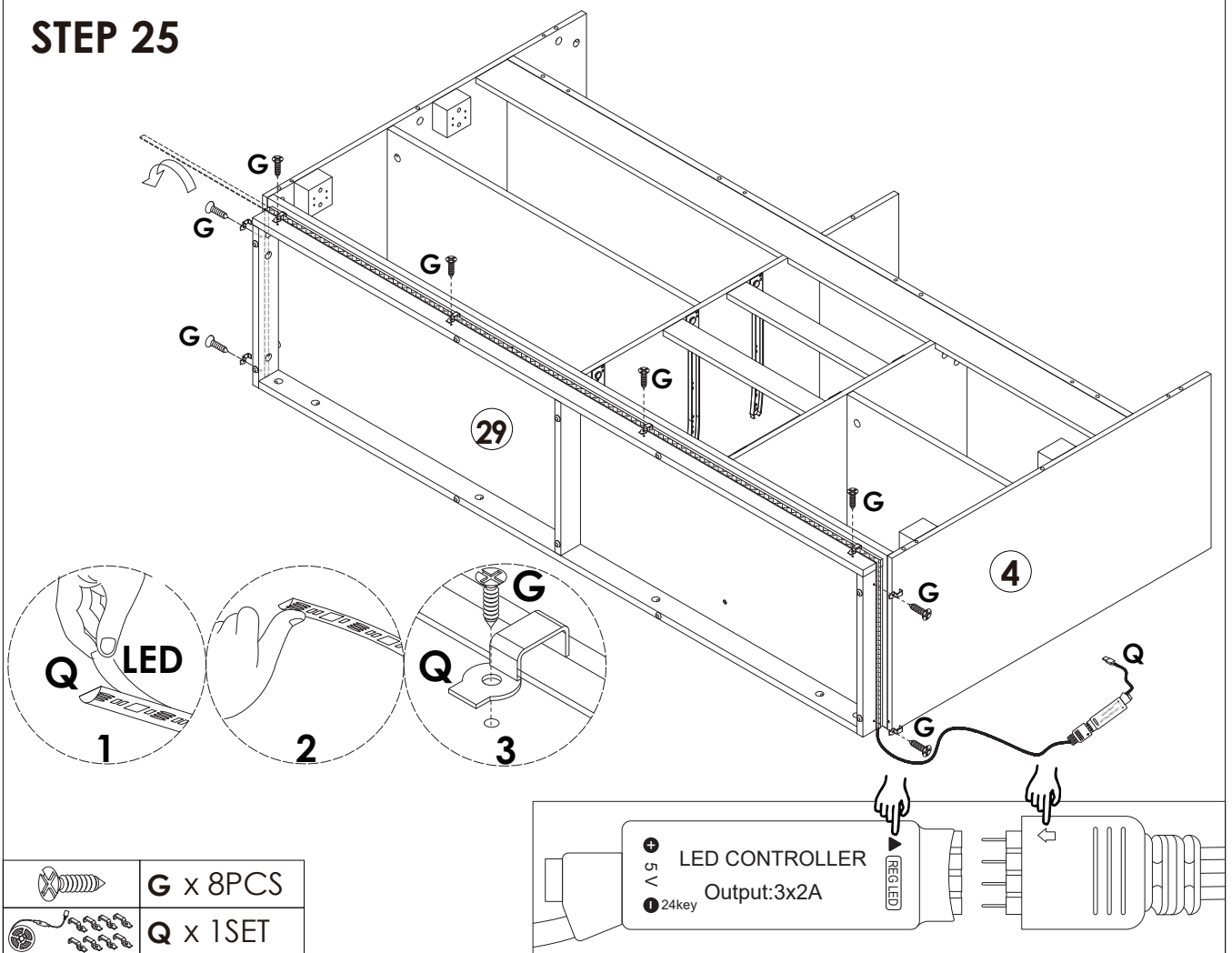
B x 12PCS



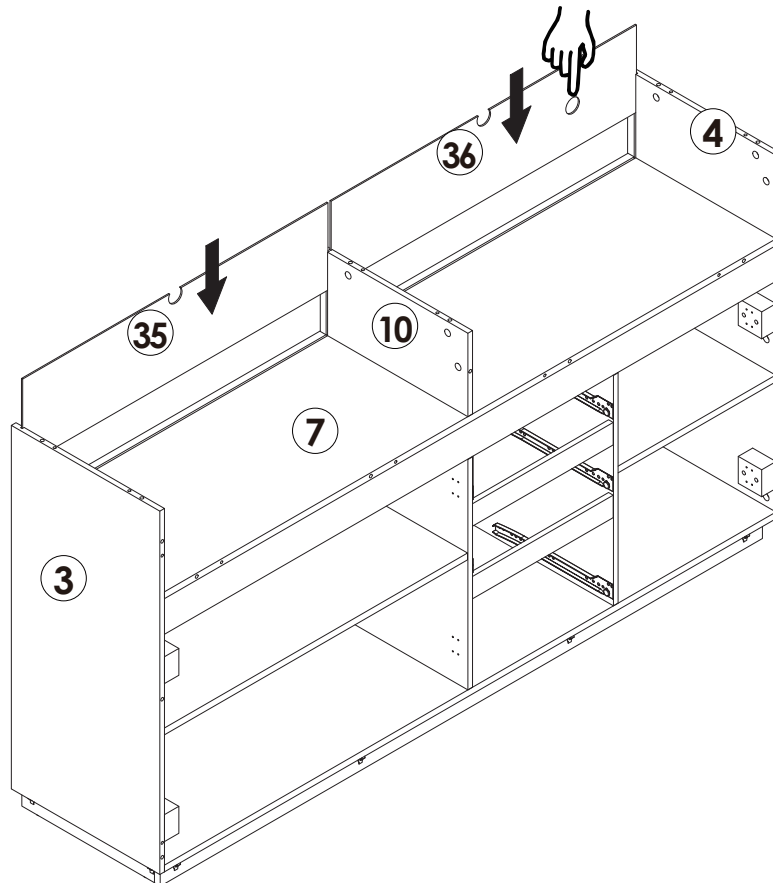
C x 8PCS

Assembly Steps(EN) / Montageschritte(DE)

STEP 25



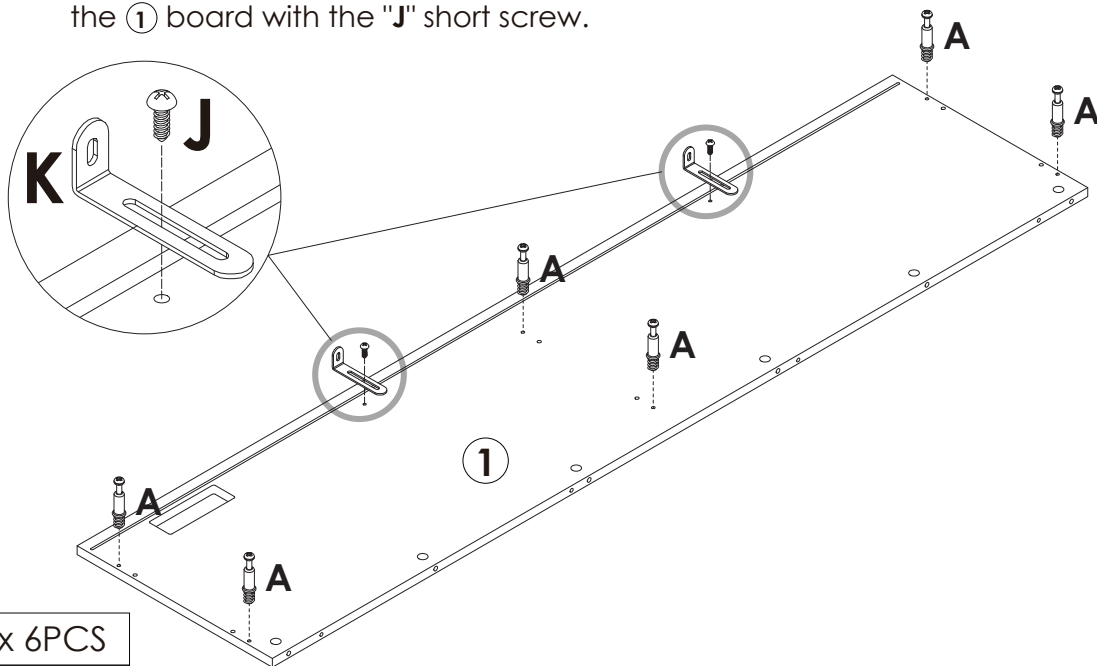
STEP 26






Assembly Steps(EN) / Montageschritte(DE)

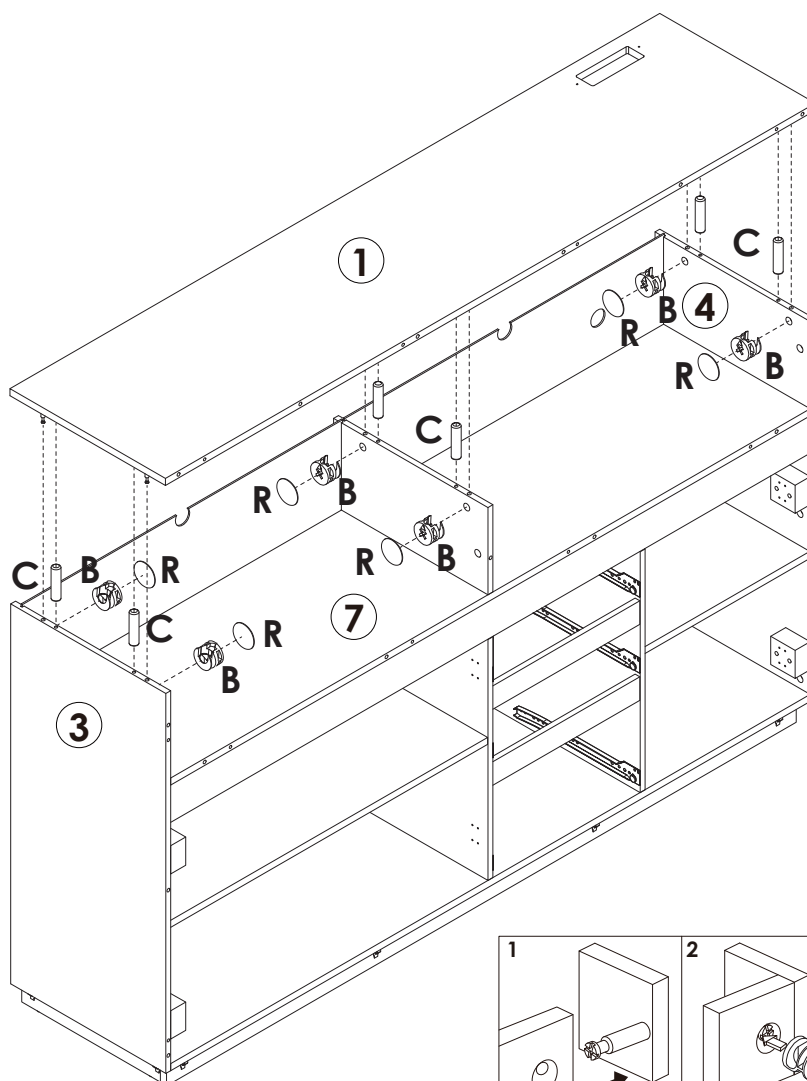
STEP 28




Lock the long side of the "K" L-shaped metal plate to the ① board with the "J" short screw.

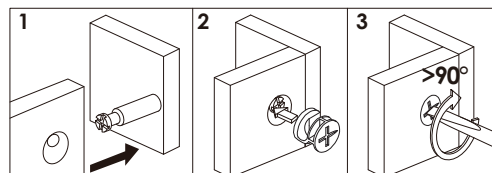


	A x 6PCS
	K x 2PCS
	J x 2PCS

STEP 29

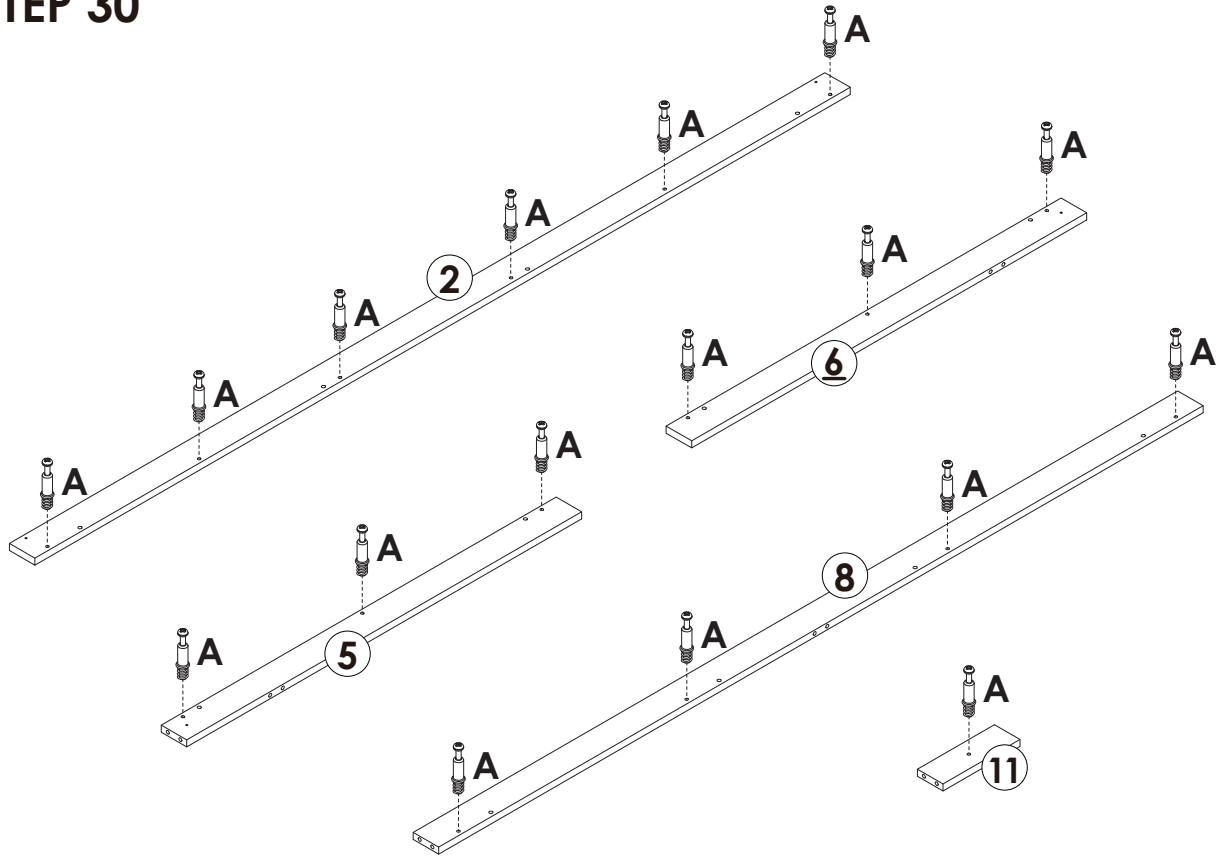


	B x 6PCS
	C x 6PCS
	R x 6PCS



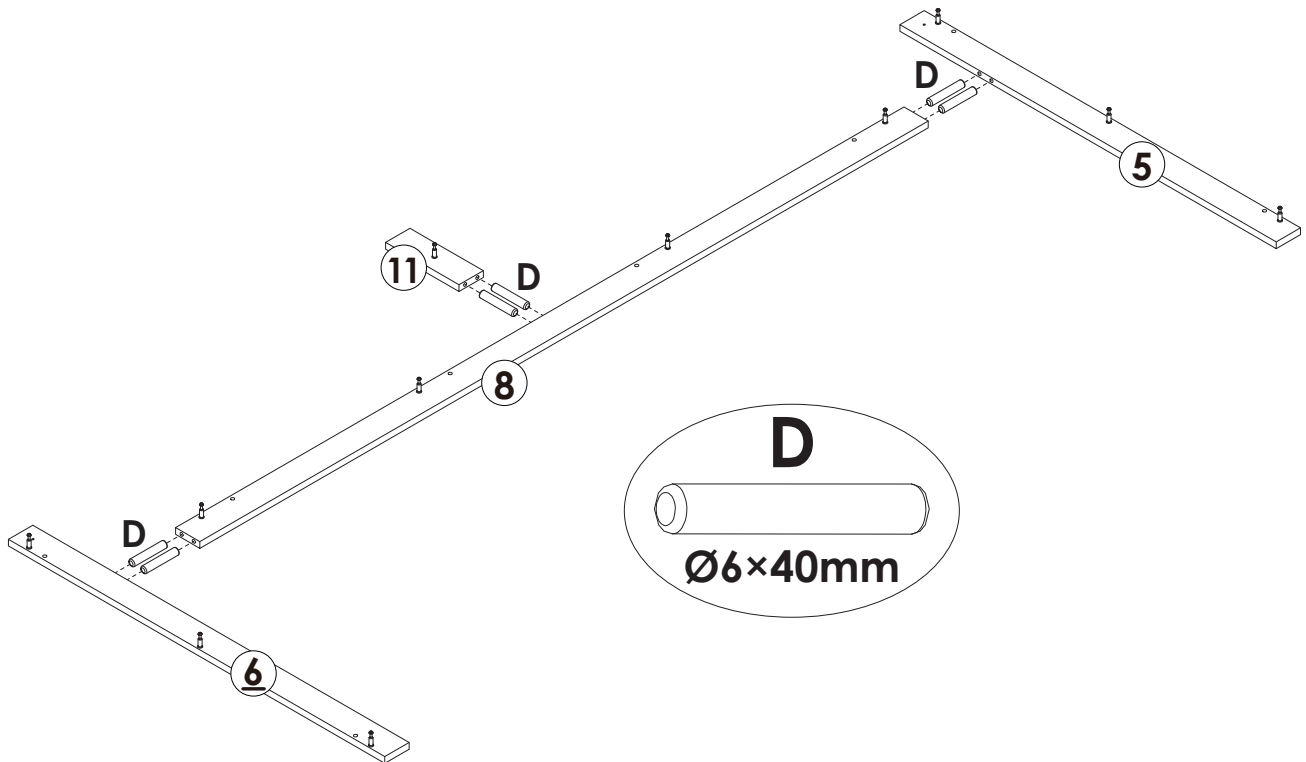
Assembly Steps(EN) / Montageschritte(DE)

STEP 30



 A x 17PCS

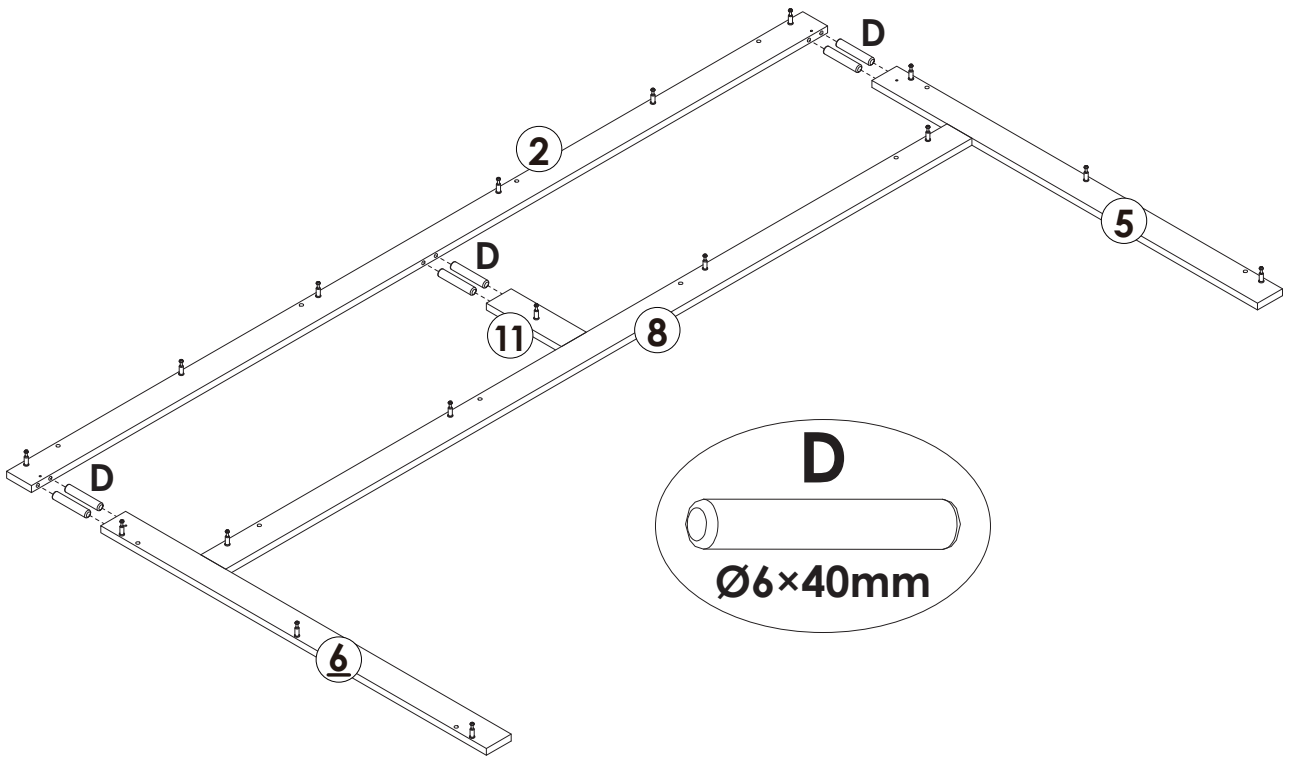
STEP 31



 D x 6PCS

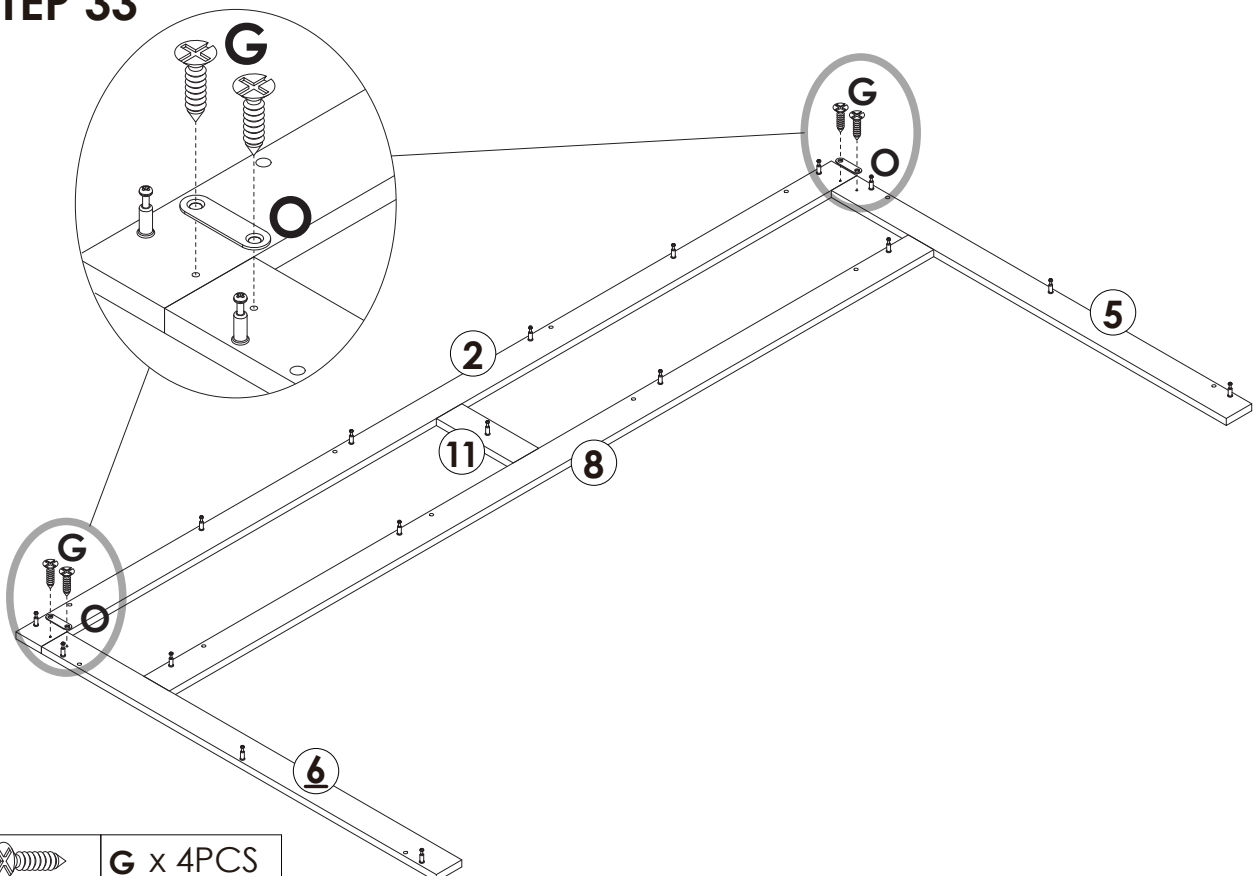
Assembly Steps(EN) / Montageschritte(DE)

STEP 32



 D x 6PCS

STEP 33

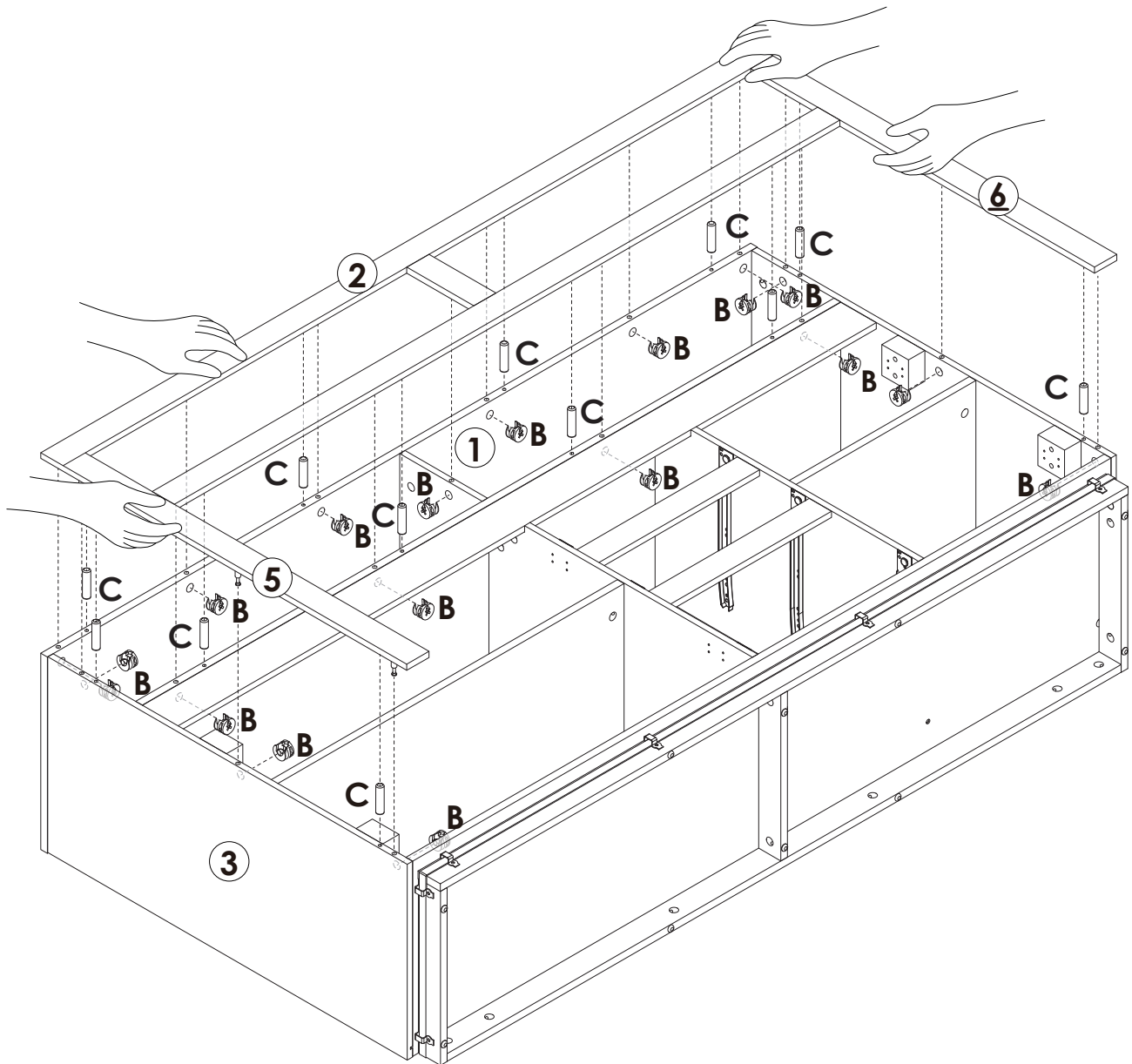




 G x 4PCS

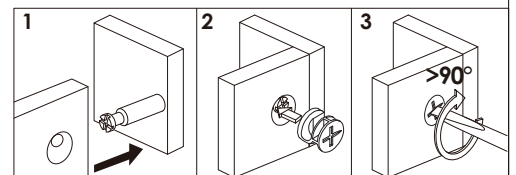
 O x 2PCS

Assembly Steps(EN) / Montageschritte(DE)

STEP 34

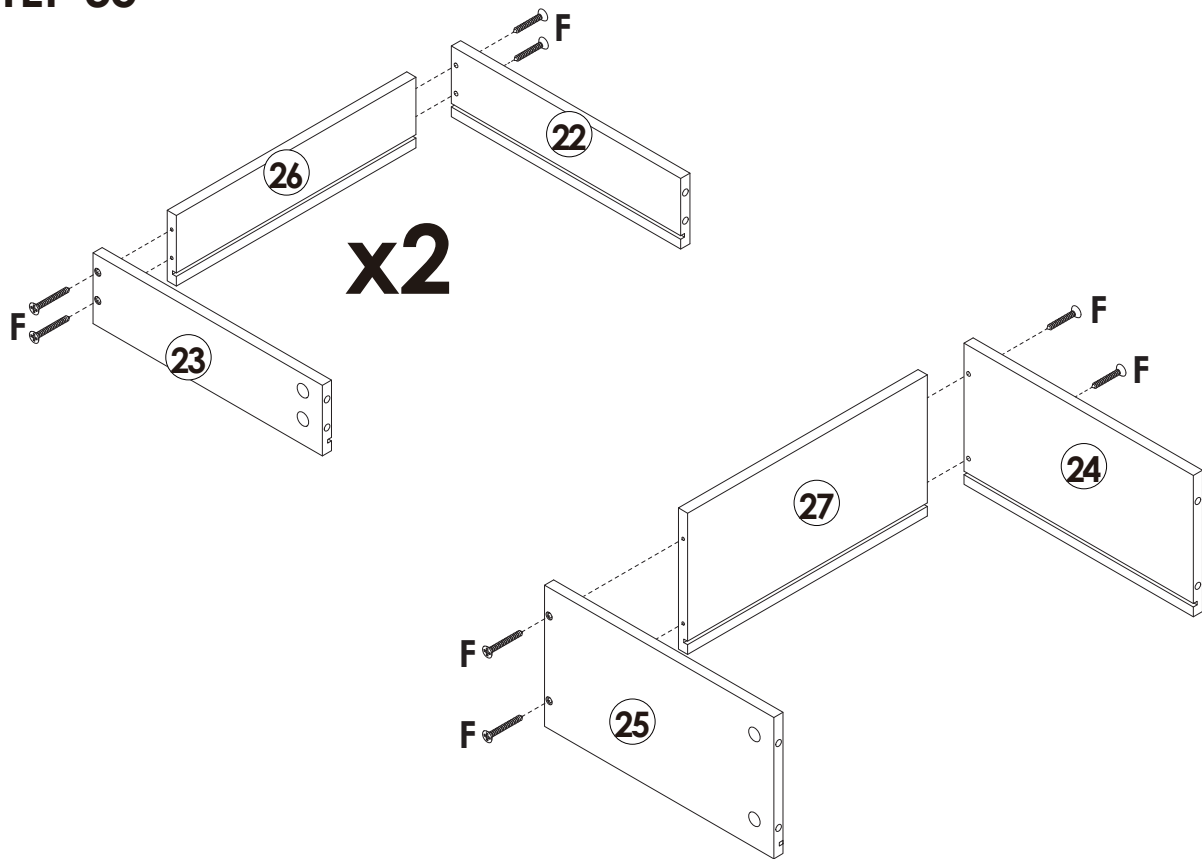


	B x 17PCS
	C x 12PCS



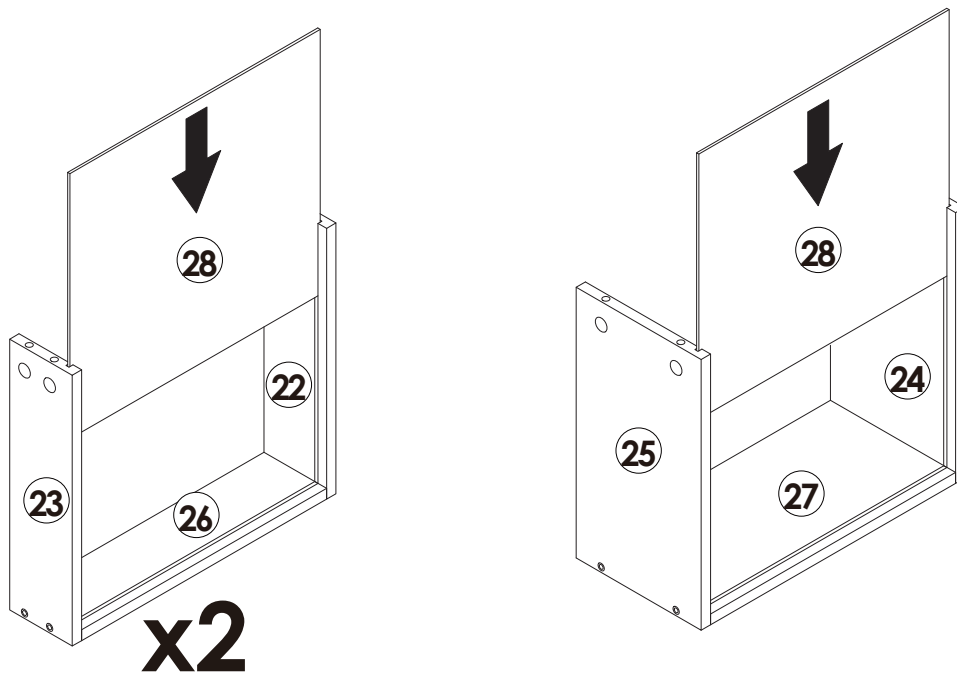
Assembly Steps(EN) / Montageschritte(DE)

STEP 35



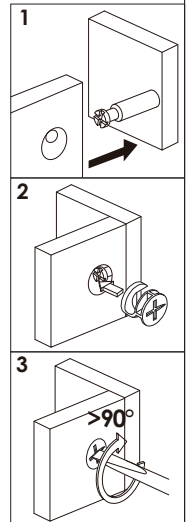
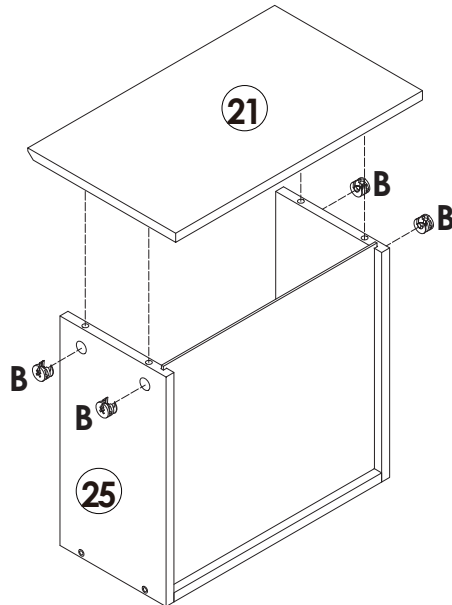
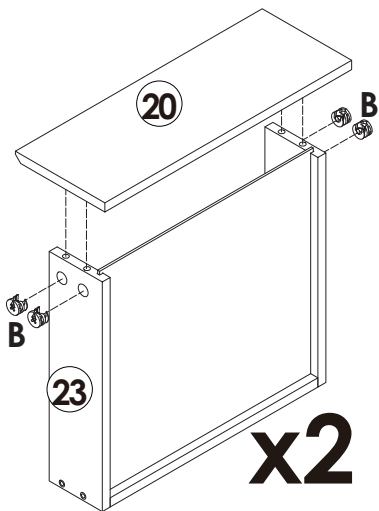
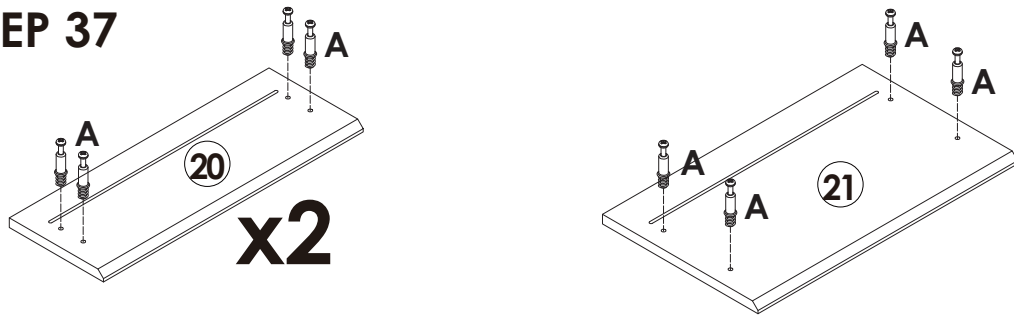
 F x 12PCS

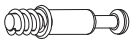

STEP 36



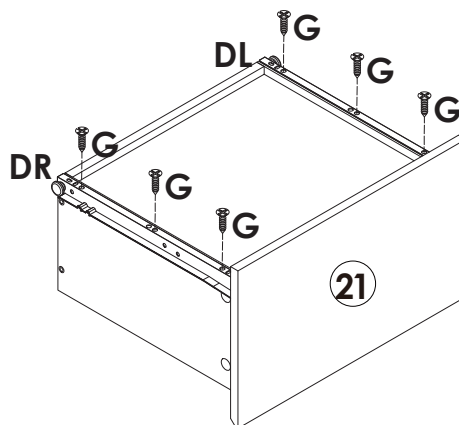
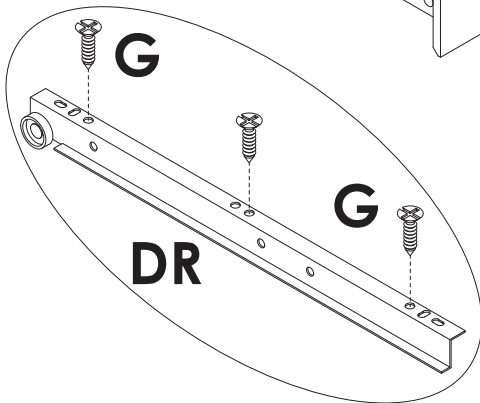
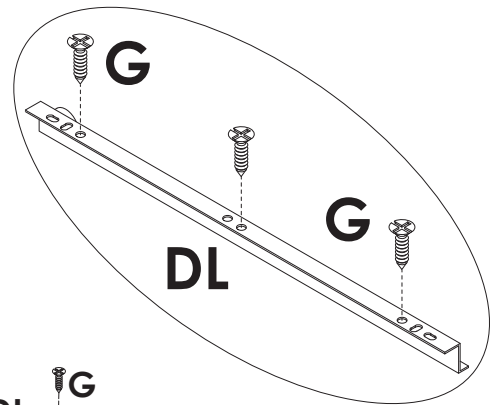
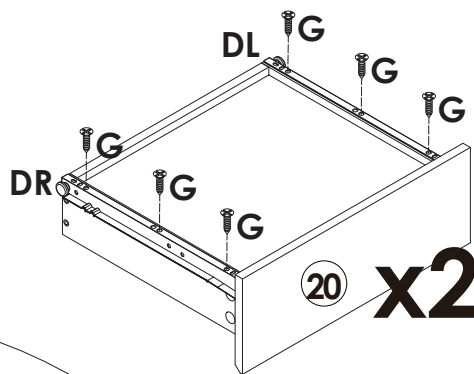
Assembly Steps(EN) / Montageschritte(DE)

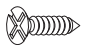


STEP 37



	A x 12PCS
	B x 12PCS

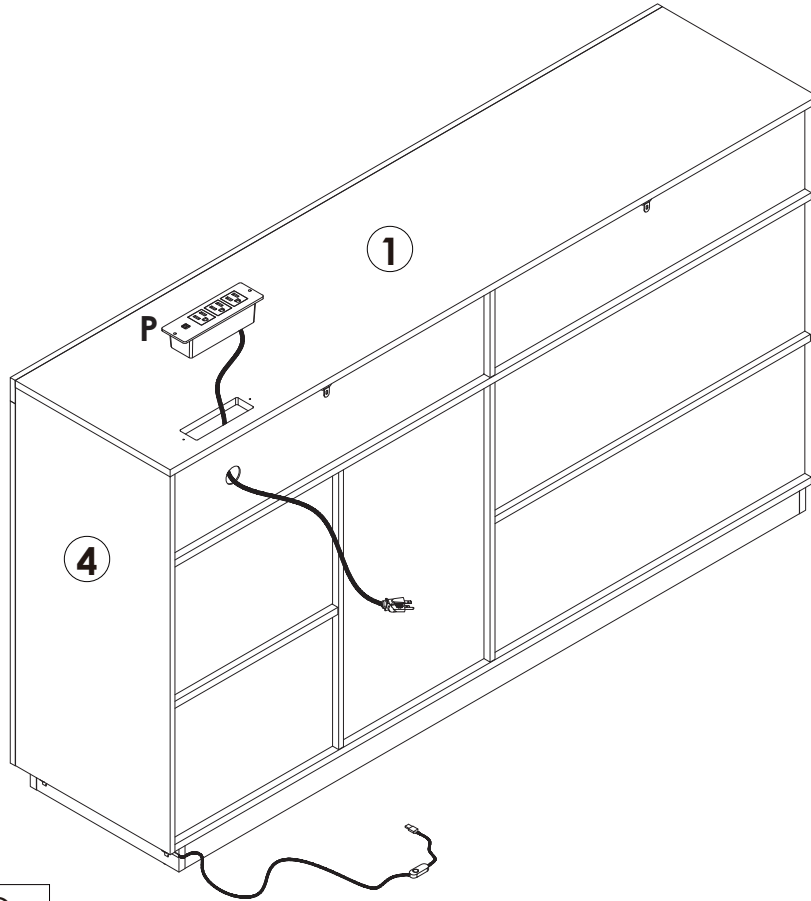
STEP 38



	G x 18PCS
	DL x 3PCS
	DR x 3PCS

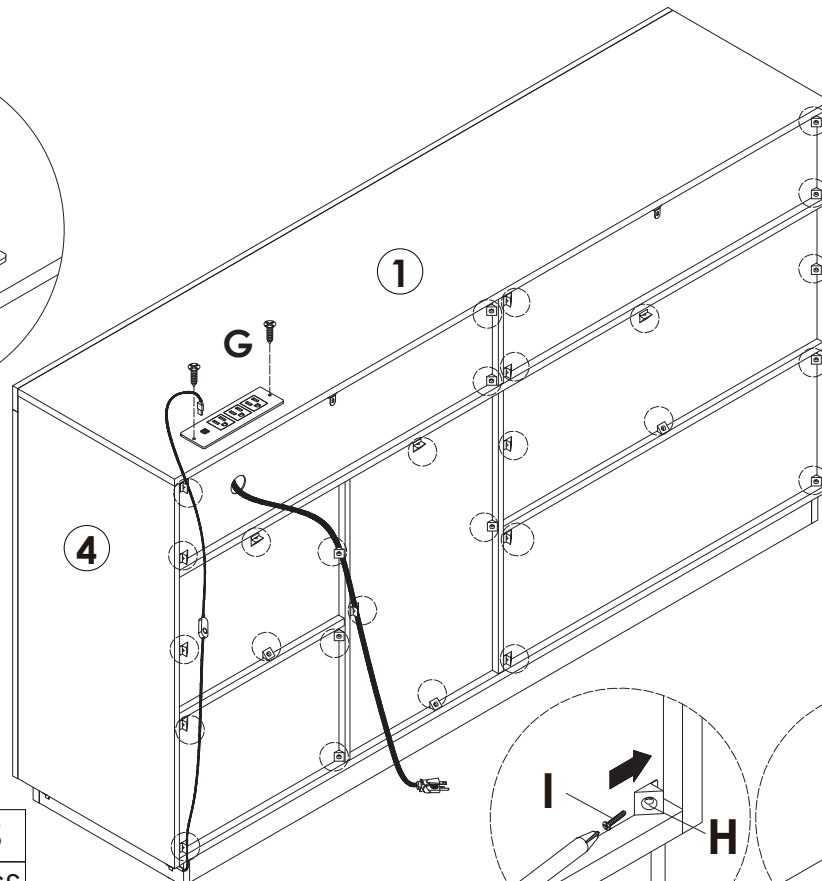
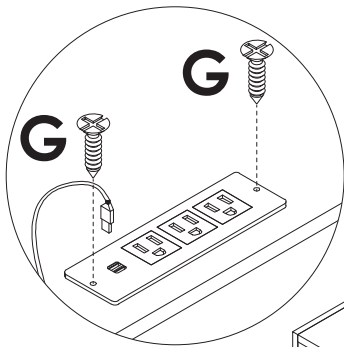
Assembly Steps(EN) / Montageschritte(DE)

STEP 39



P x 1PC

STEP 40



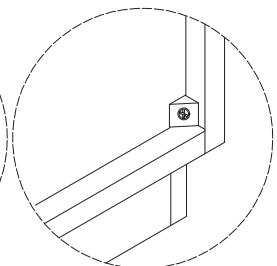
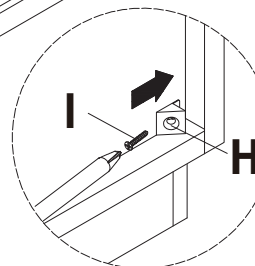
G x 2PCS



H x 28PCS

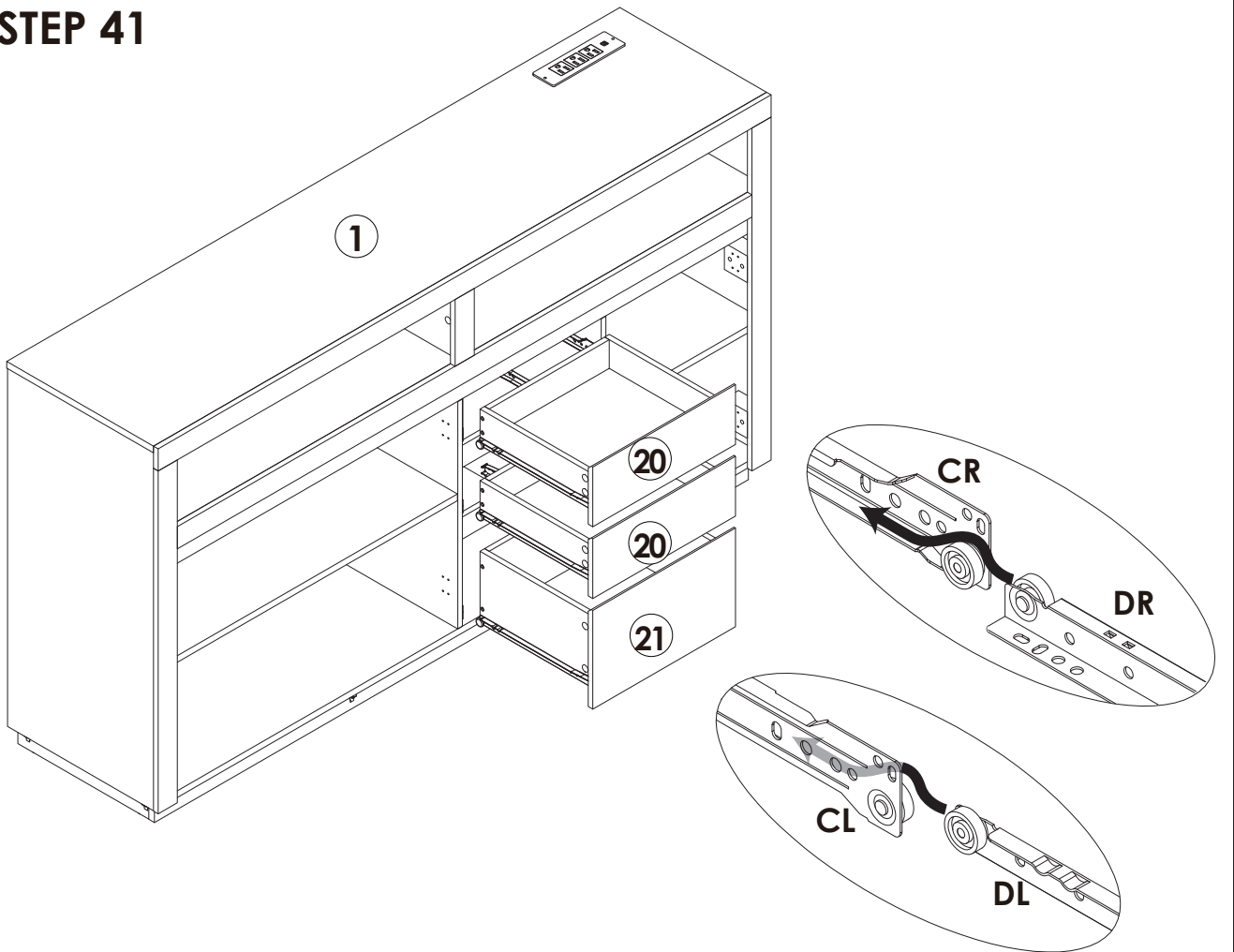


I x 28PCS

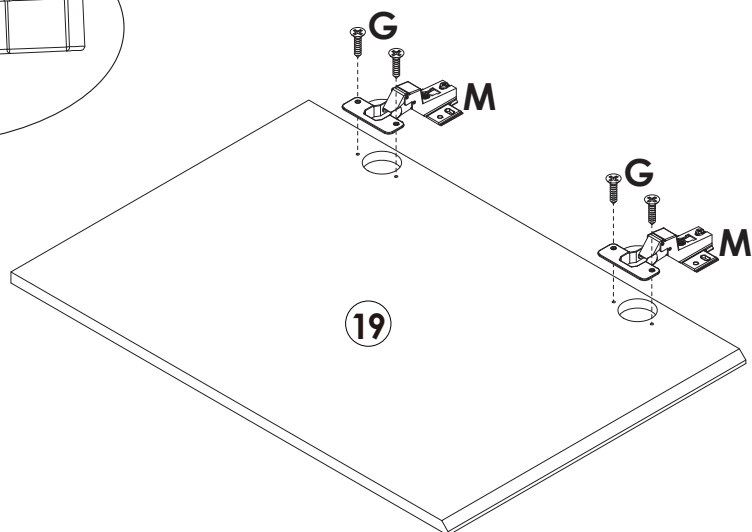
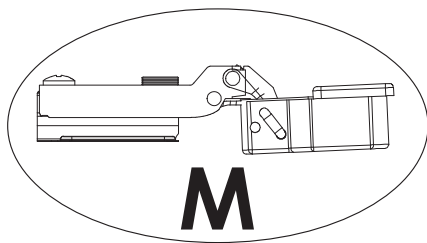


Assembly Steps(EN) / Montageschritte(DE)

STEP 41

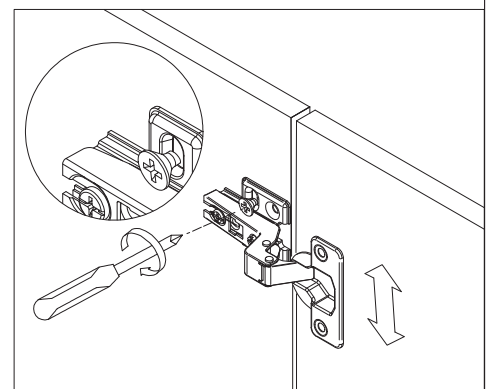
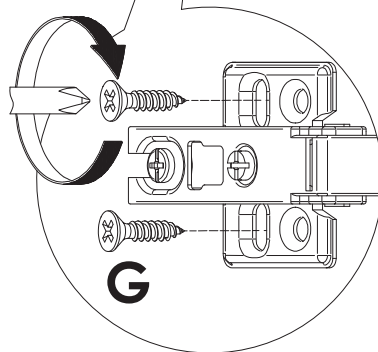
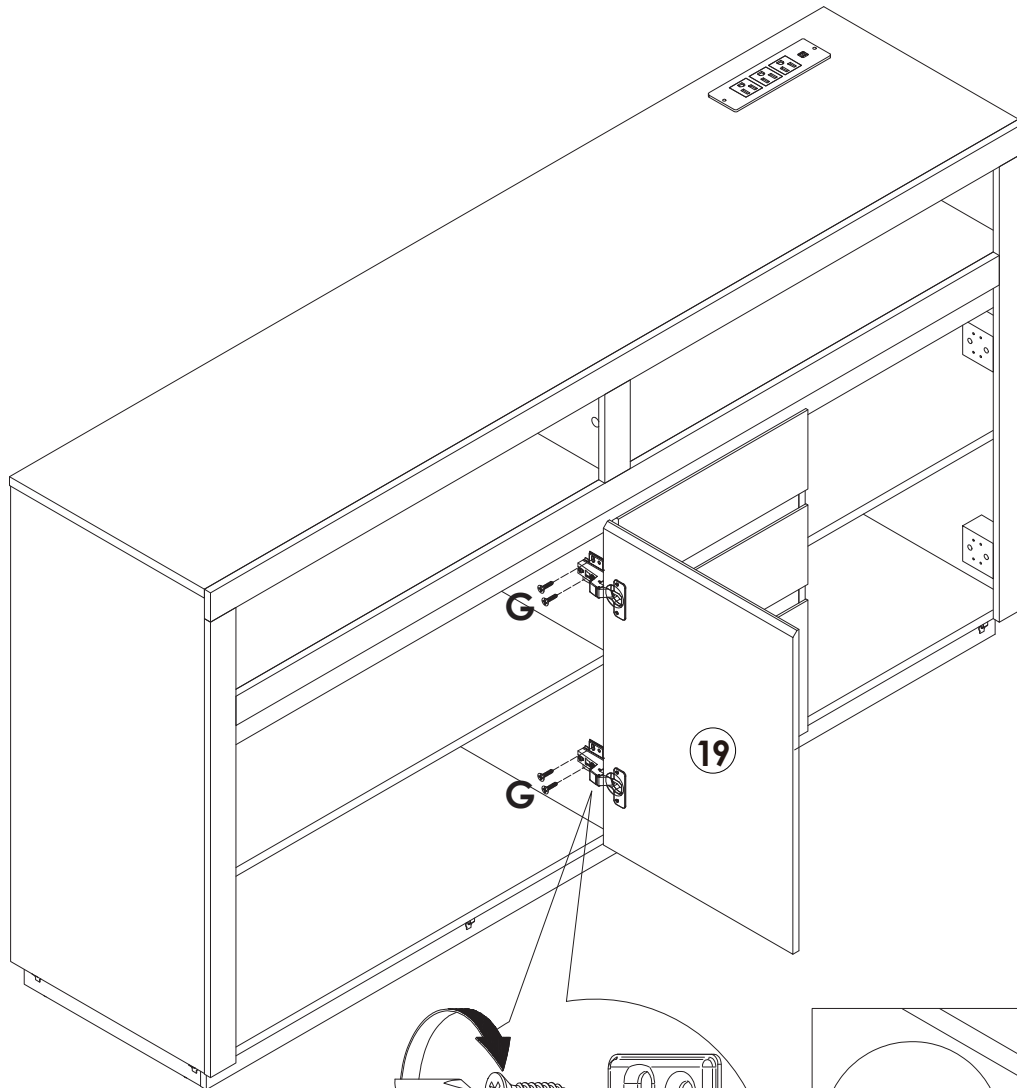


STEP 42



	G x 4PCS
	M x 2PCS

STEP 43



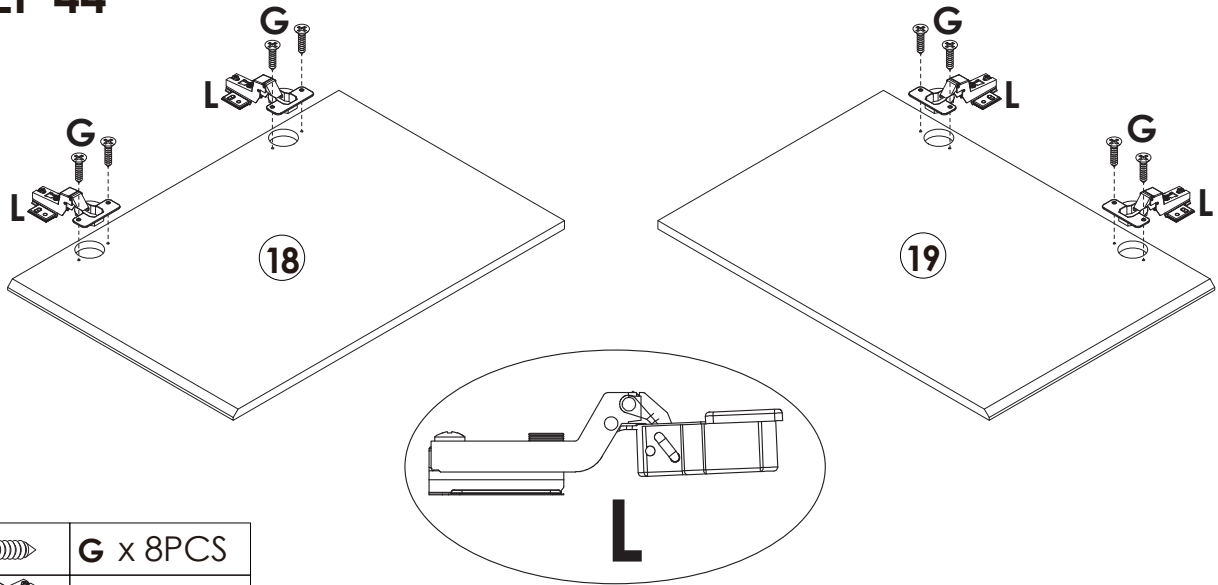
A. Adjustment Up or Down & Fix the screw after adjust



G x 4PCS

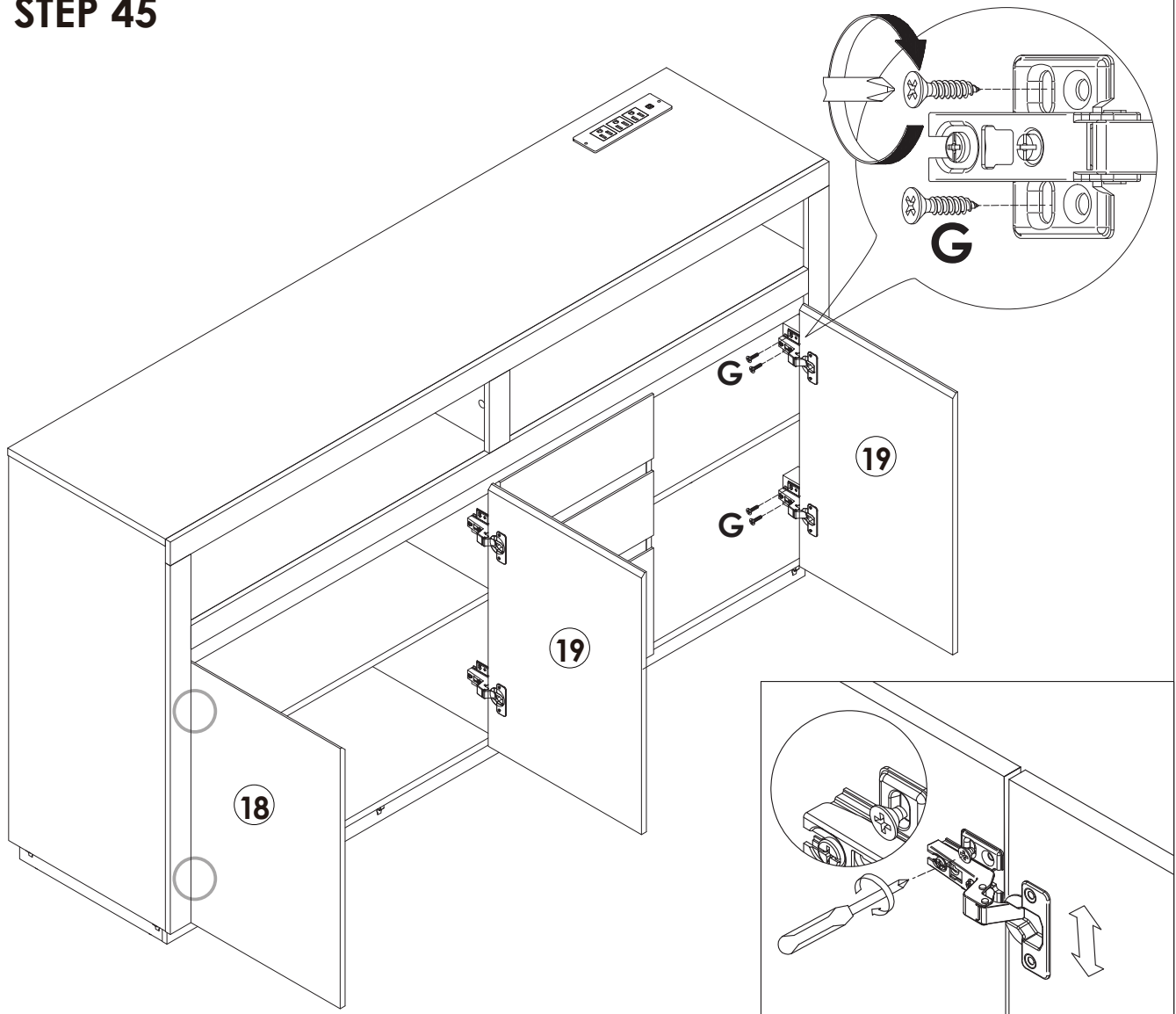
Assembly Steps(EN) / Montageschritte(DE)

STEP 44



	G x 8PCS
	L x 4PCS

STEP 45

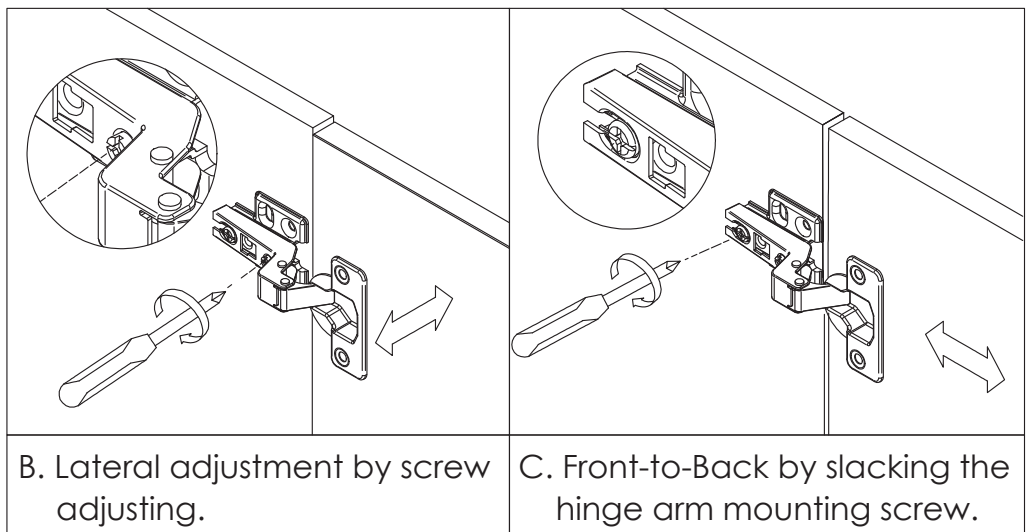
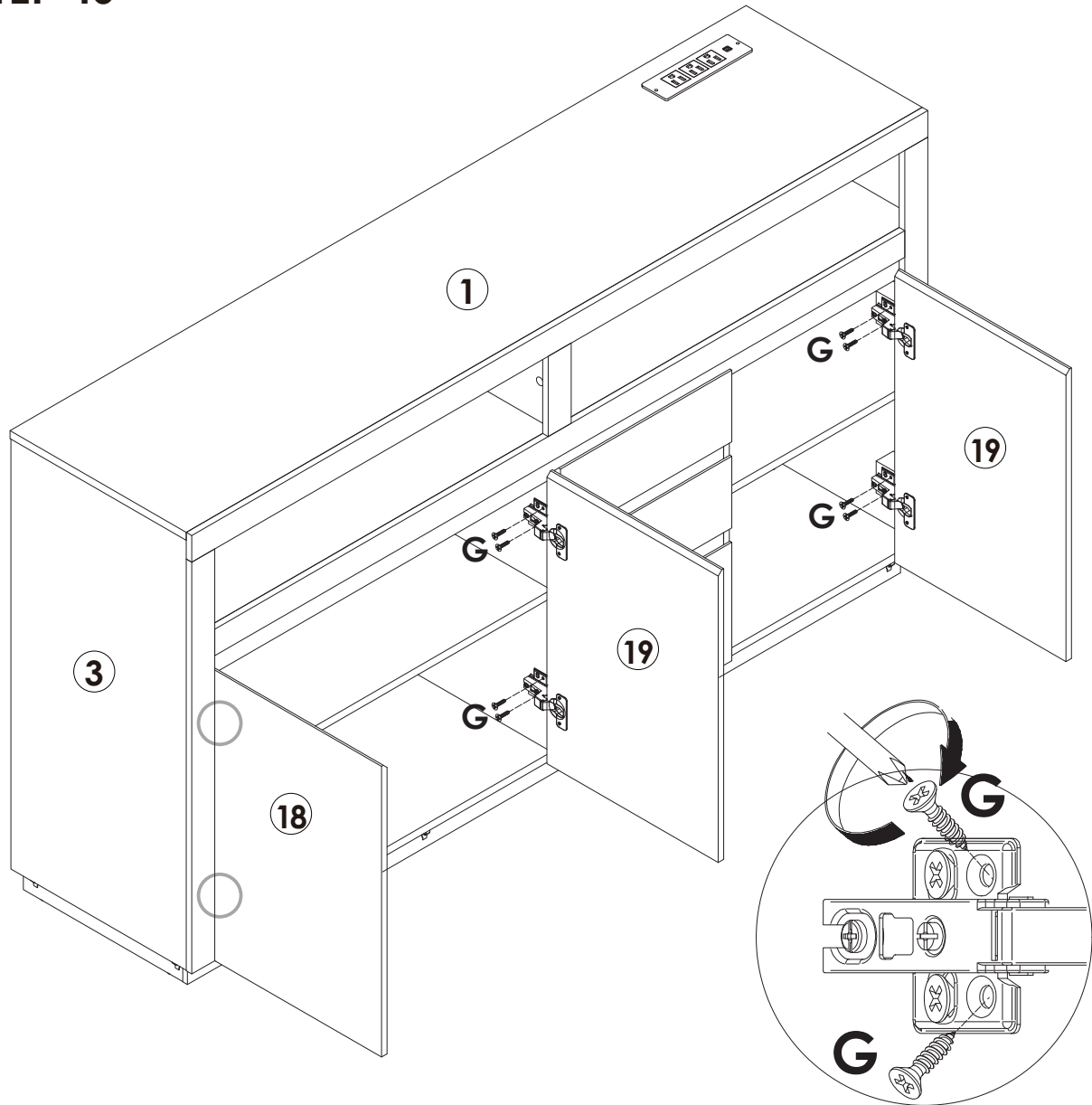


	G x 8PCS
---	-----------------

A. Adjustment Up or Down & Fix the screw after adjust

Assembly Steps(EN) / Montageschritte(DE)

STEP 46

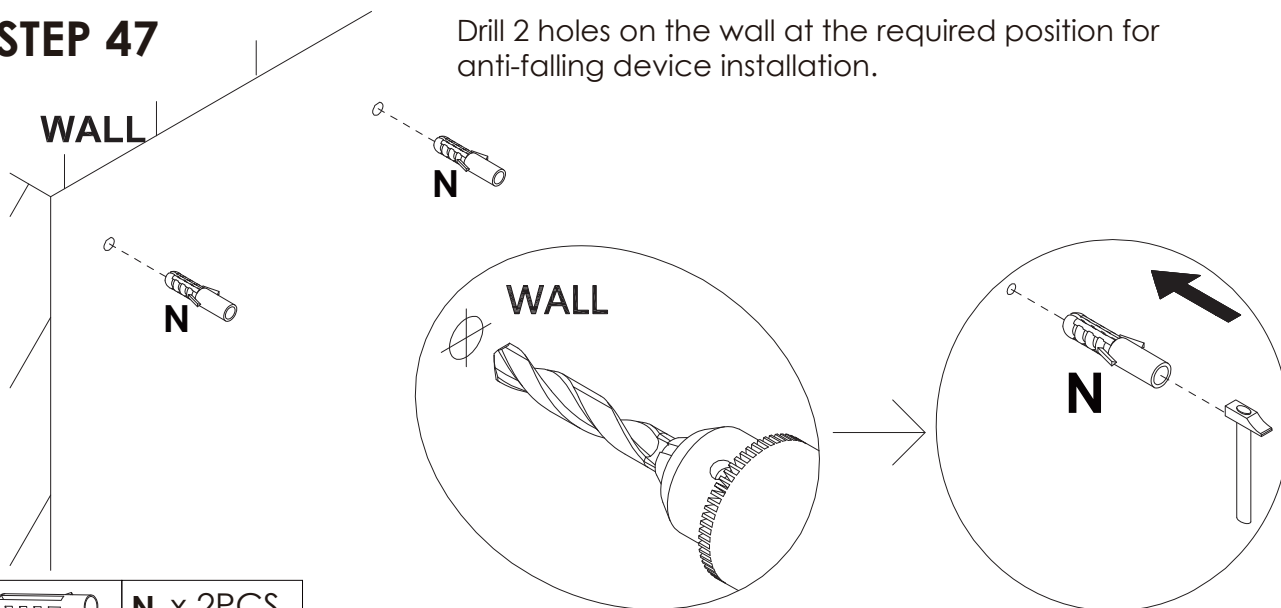


G x 12PCS

Assembly Steps(EN) / Montageschritte(DE)

STEP 47

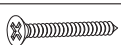
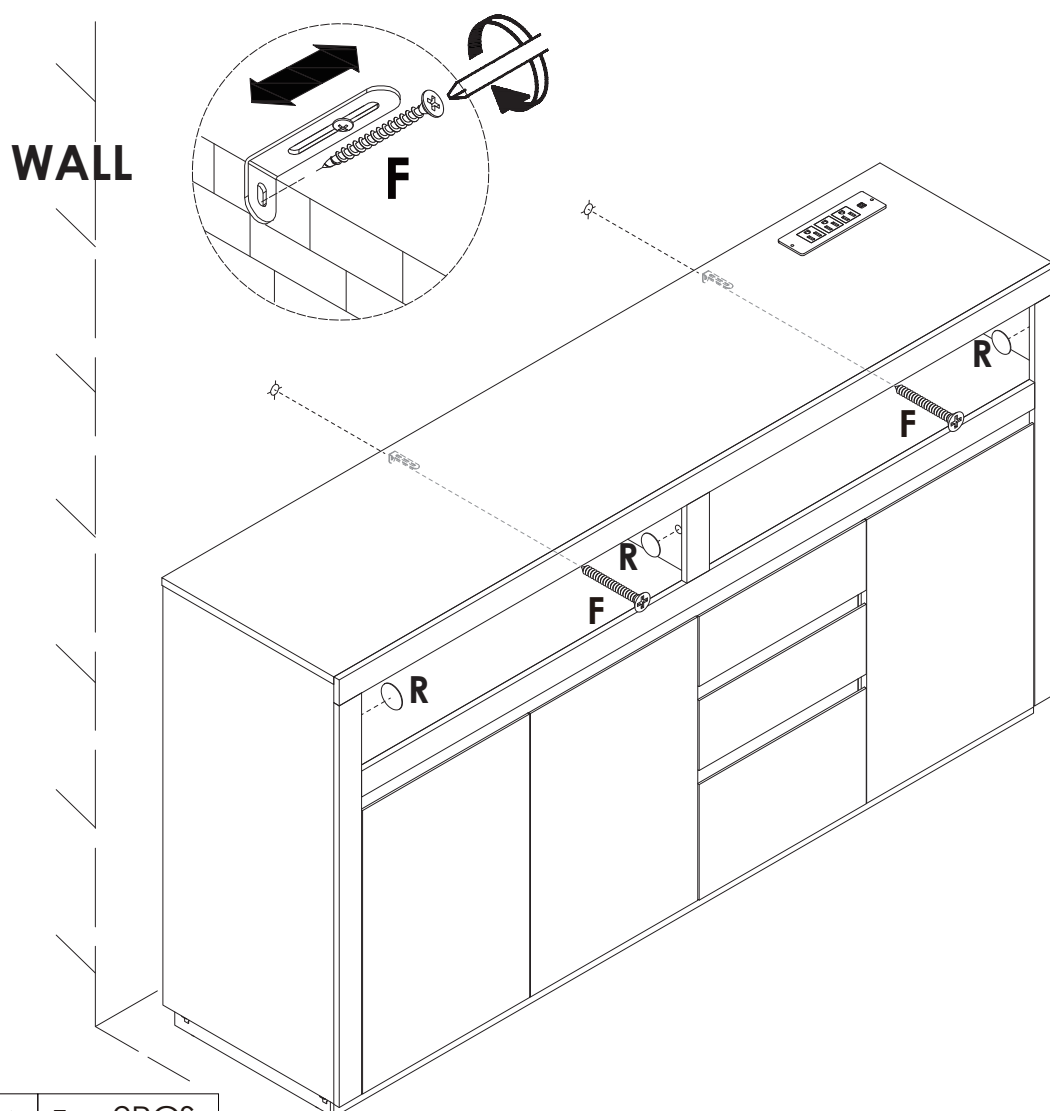
Drill 2 holes on the wall at the required position for anti-falling device installation.



N x 2PCS

STEP 48

Move the cabinet to the required position, use the "F" long screw to fix the cabinet to the wall.



F x 2PCS

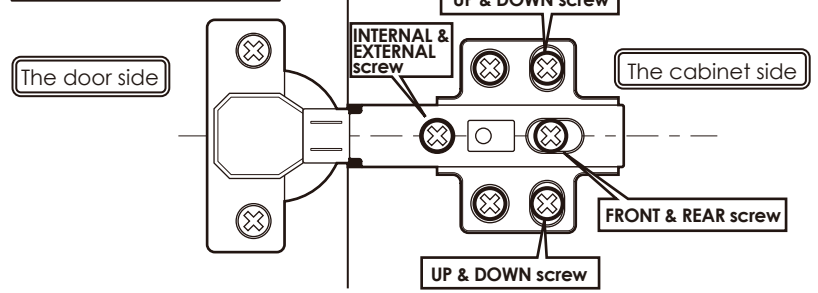


R x 3PCS

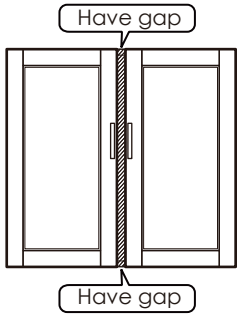
The ways to adjust the door

- Before adjusting the hinge, please check whether the cabinet is skewed.
- If the skew can not be repaired, please remove the anti-tipping device first, then adjust the cabinet to vertical position.
- Please adjust the hinge with the door open.
- Please operate it with more than 2 people, one person holds the door and the other one adjusts the screw.

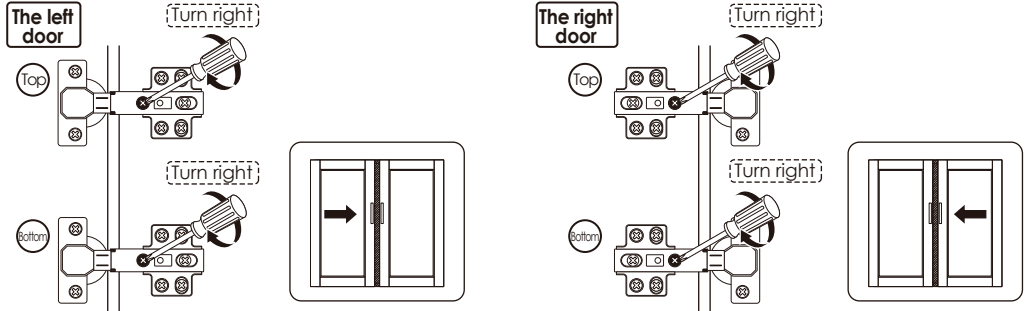
Components Name



Obvious gaps between doors or Doors don't look closed



- 1 Turn "internal & external screw" to the right can make the door approach inside. Please adjust the doors little by little.



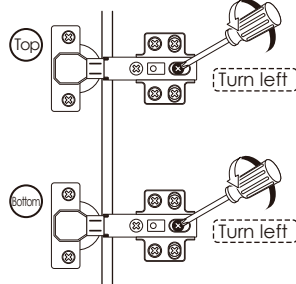
※ If the 2 doors are overlap, please turn the "internal & external screw" to the left.

When door is crooked



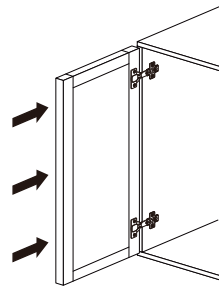
Please take the following steps to adjust first.

- 1 Rotate the "front and rear screws" to the left

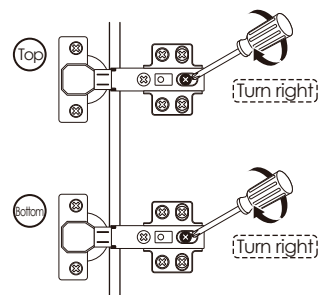


※ After adjusting the "front and rear screw", the door still does not change, please turn the "internal & external screw" to the right slightly.

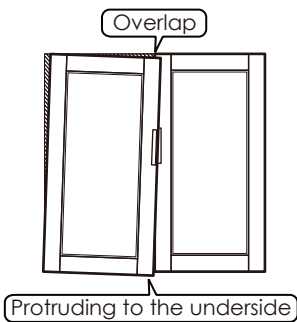
- 2 Push the door to the cabinet



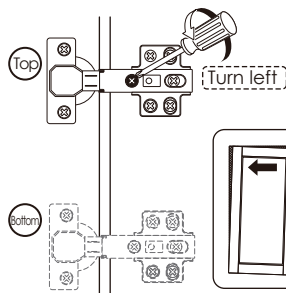
- 3 Rotate the "front and rear screws" to the right



When door is leaning



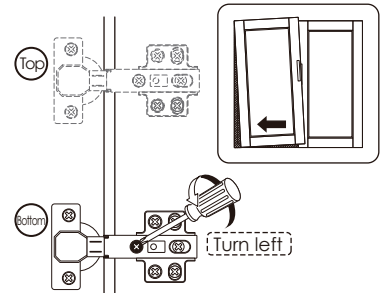
- 1 Turn "internal & external screw" to the left can make the top of the door tilted outward.



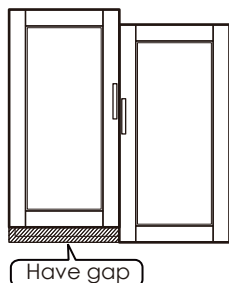
Protruding to the upside



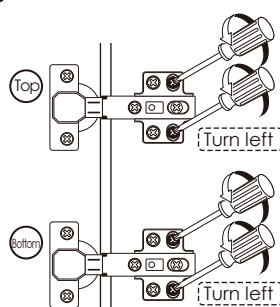
- 1 Turn "internal & external screw" to the left can make the bottom of the door tilted outward.



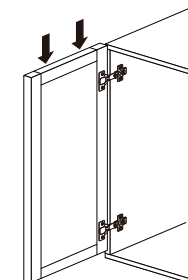
When the door is higher on top



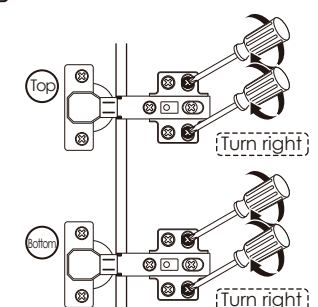
- 1 Turn "up & down screw" to the left



- 2 Lower the door's height so that 2 doors are of the same height.



- 3 Turn "up & down screw" to the right



※ If the door is lower on bottom, please lift up the left door slightly on step 2

WARNING



Children have died from furniture tipover. To reduce the risk of furniture tipover:

- **ALWAYS** install Anti-tip device provided.
- For use with televisions weighing 30 lb or less. Use with heavier televisions may result in instability causing tip-over resulting in death or serious injury.
- **NEVER** allow children to stand, climb or hang on any drawers, doors, or shelves.
- **NEVER** open more than one drawer at a time.
- Place heaviest items in the lowest drawers.

***This is a permanent label.
Do not remove!***