

INSTRUCTION MANUAL

©2025-2030 Eclatara All rights reserved

NS0562



ECLATARA

Eclatara is committed to creating a noble, warm, and artistic home environment for customers. Each product embodies the love of life and the pursuit of beauty. We focus on the user experience, the beauty of the product, and the artistic high-end design. Every detail reflects our unremitting pursuit of excellent quality and exquisite craftsmanship.

makes life more comfortable

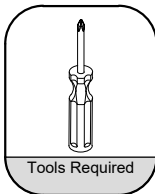
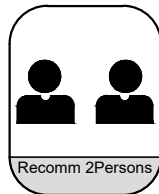
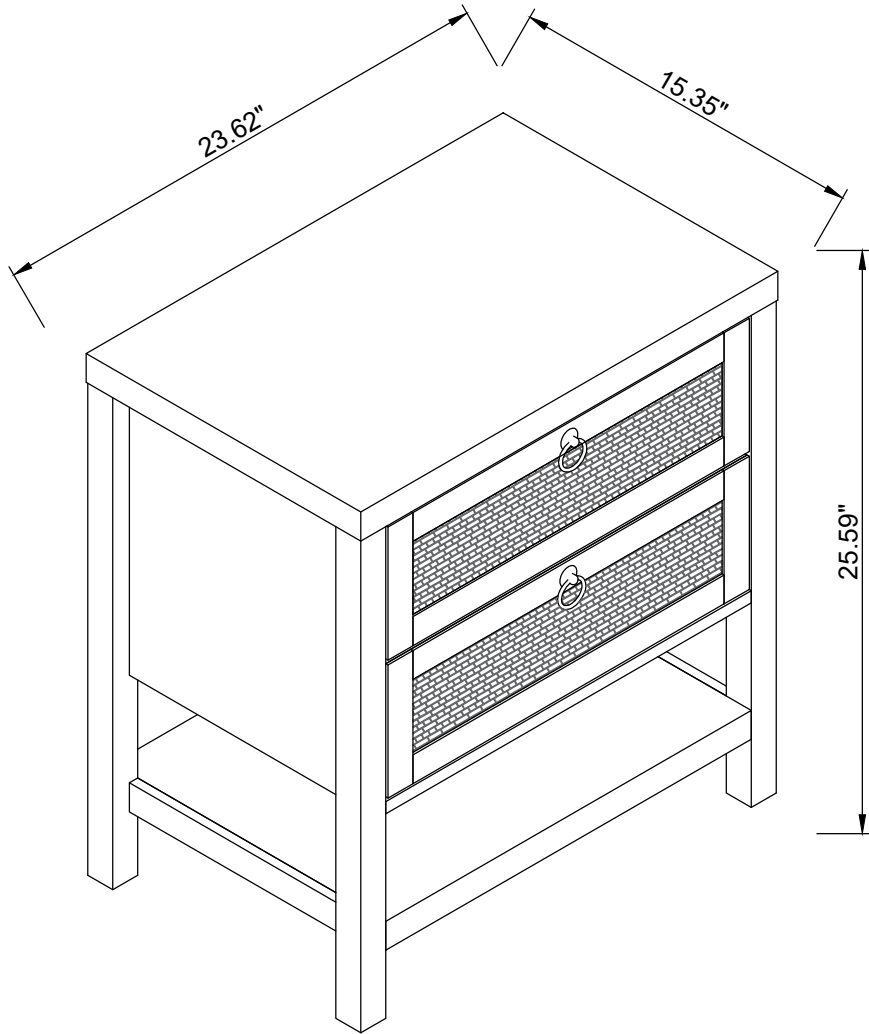
NOTES

- You need a helper to finish the installation.
- Don't over-tighten the screws until all the parts are in place. Failure to follow the instructions may cause misalignment of the screws.
- DO NOT let children climb the product.
- To avoid suffocation danger, keep small parts and package materials away from children.
- Adult assembly required. Keep children away during the installation.
- Children should not use it without parents' supervision. You could use "corner guard" to protect children from getting hurt by the product's edges.
- If any parts were missing, broken or wrong delivered, contact us immediately via Service@Eclatara.shop, we are here to help you.

24 Hours service email

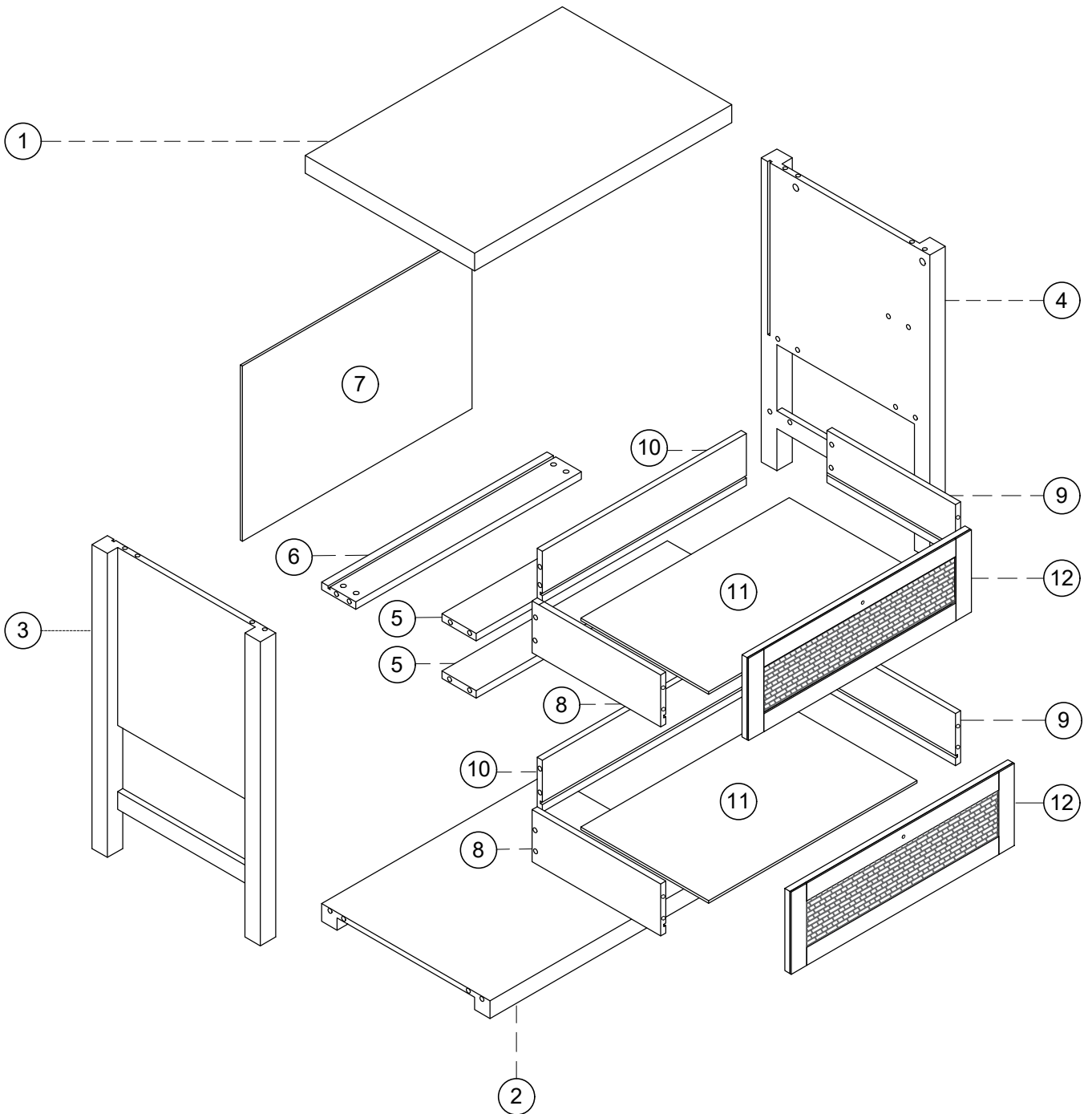


Service@Eclatara.shop



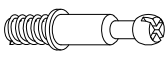
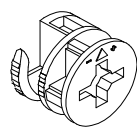
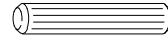
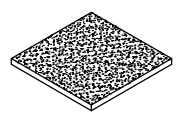
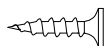
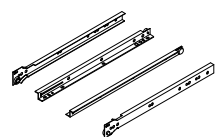


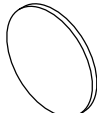
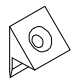
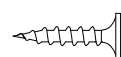

PARTS LIST

Parts

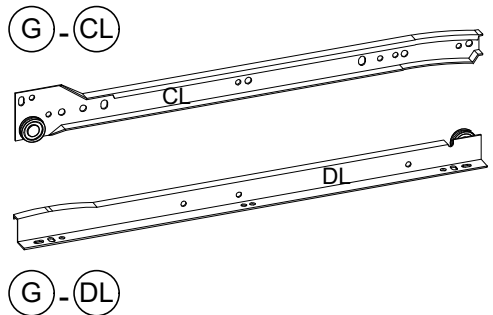


PARTS LIST

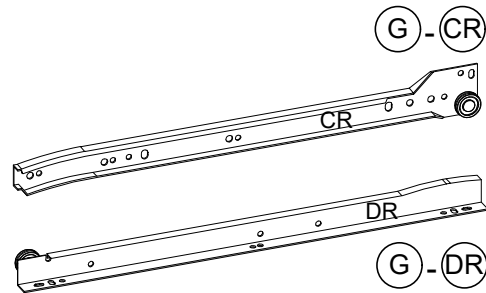
Hardware

 (A) 28 pcs	 (B) 28 pcs	 (C) 8 pcs	 (E) 4 pcs
 (F) 24 pcs	 (G) 2 pcs	 (H) -1 2 pcs	 (H) -2 2 pcs
 (J) 8 pcs	 (K) -1 6 pcs	 (K) -2 6 pcs	 (L) 8 pcs

Don't confuse hardware left with right.



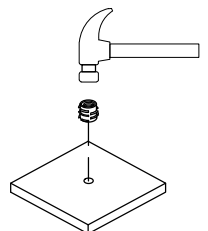
(G) - (CL)
(G) - (DL)
(G)



(G) - (CR)
(G) - (DR)

Value-added service packages

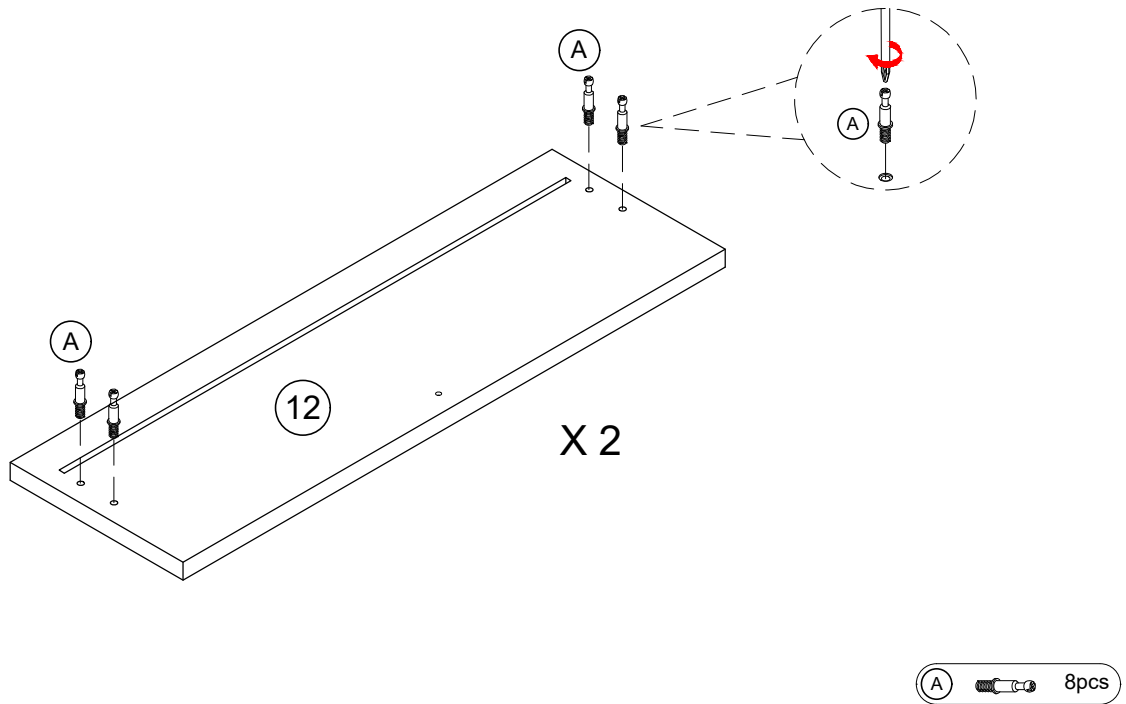
- | | | | |
|------------|------------|------------|-----------------|
| (A) +2 pcs | (B) +2 pcs | (C) +1 pcs | (E) +1 pcs |
| (F) +2 pcs | (J) +1 pcs | (K) +1 pcs | (L) +1 pcs |
| | | | (Screws) +5 pcs |



If your order is double pcs package, the hardwares above will be double qty as well.

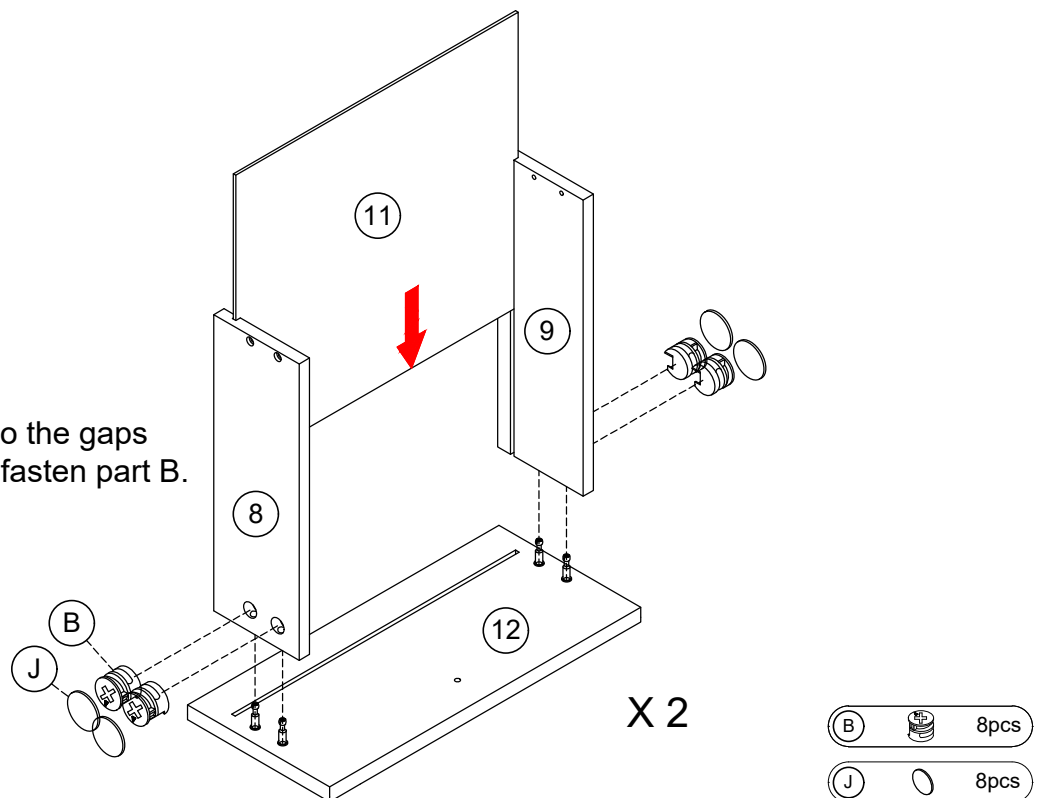
INSTALLATION STEPS

Step1



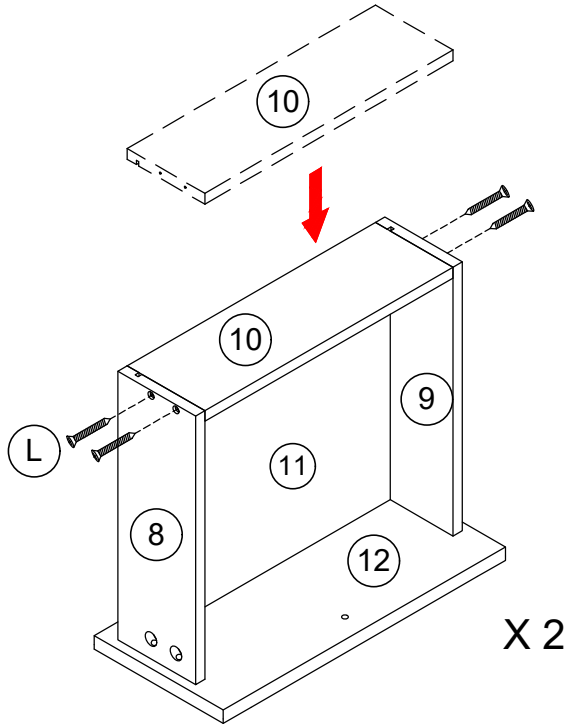
Step2

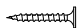
Fix board 11 into the gaps well firstly, then fasten part B.



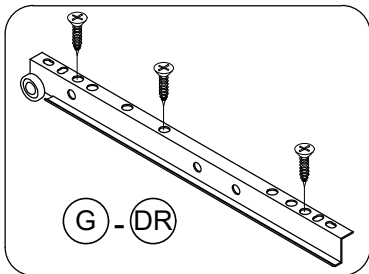
INSTALLATION STEPS

Step3

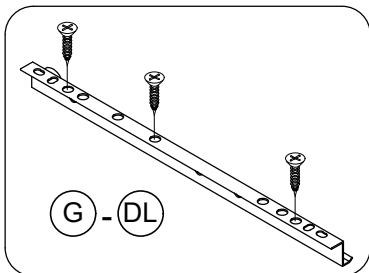


(L)  8pcs

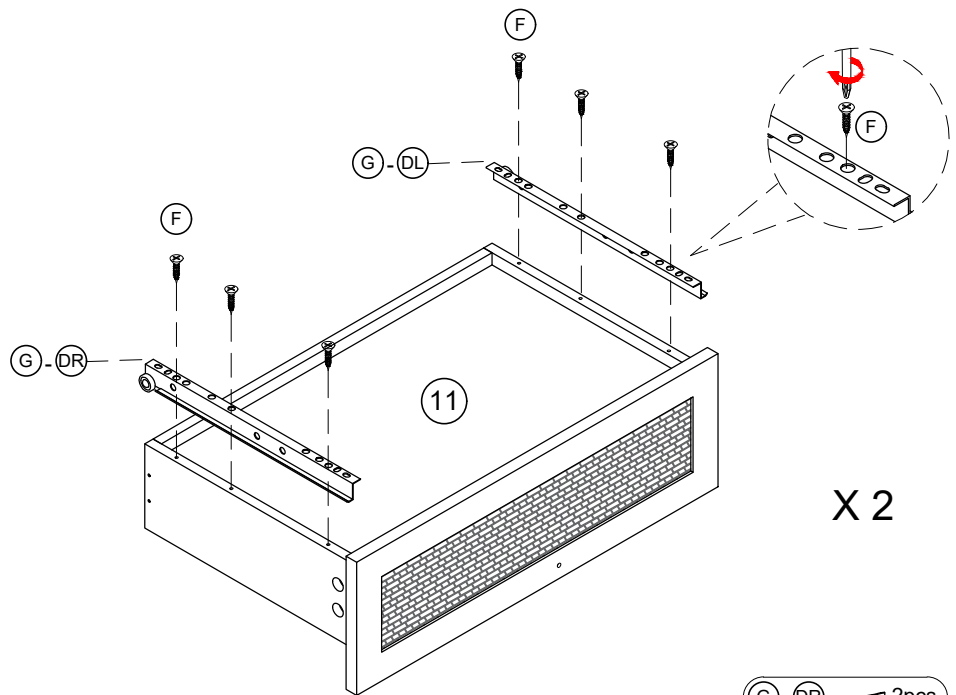
Step4

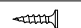


(G-DR)

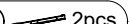


(G-DL)



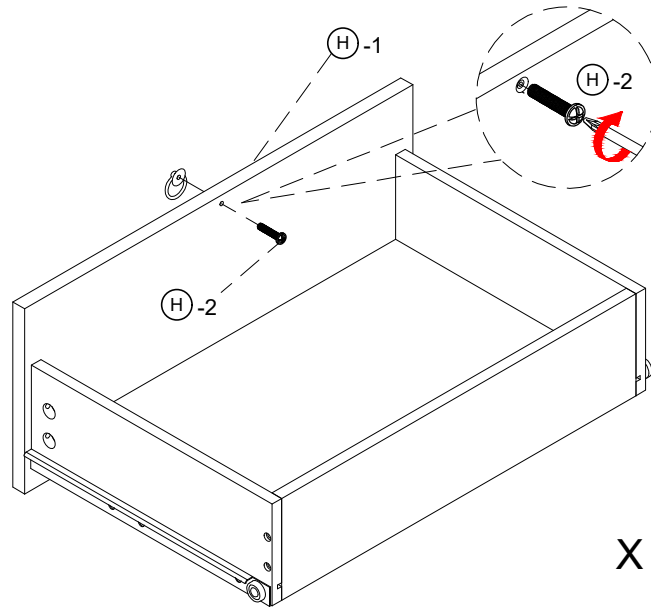
(F)  12pcs

(G-DR)  2pcs

(G-DL)  2pcs

INSTALLATION STEPS

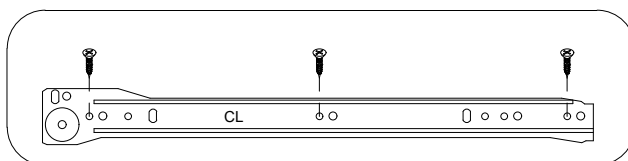
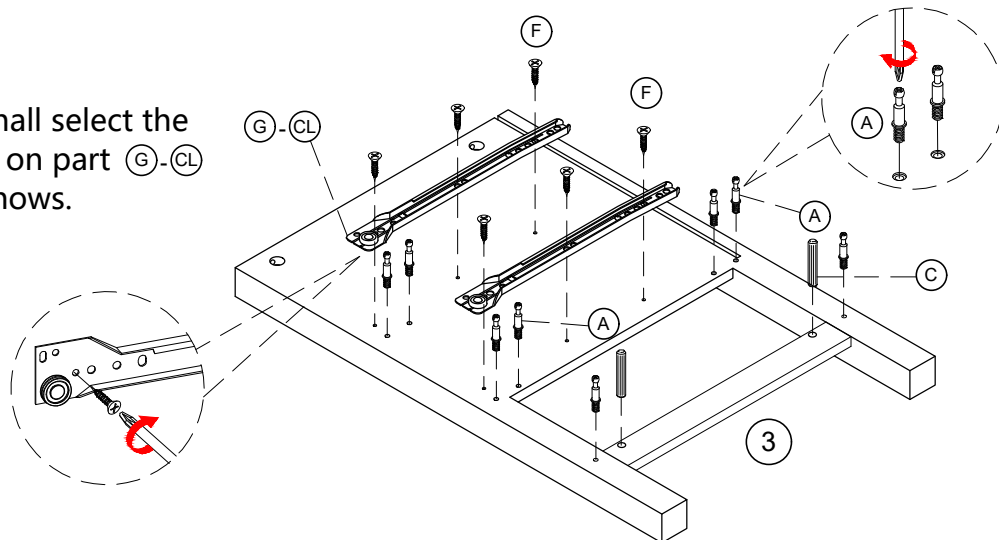
Step5



- (H)-2 2pcs
- (H)-1 2pcs

Step6

The screws shall select the correct holes on part (G)-CL as drawing shows.

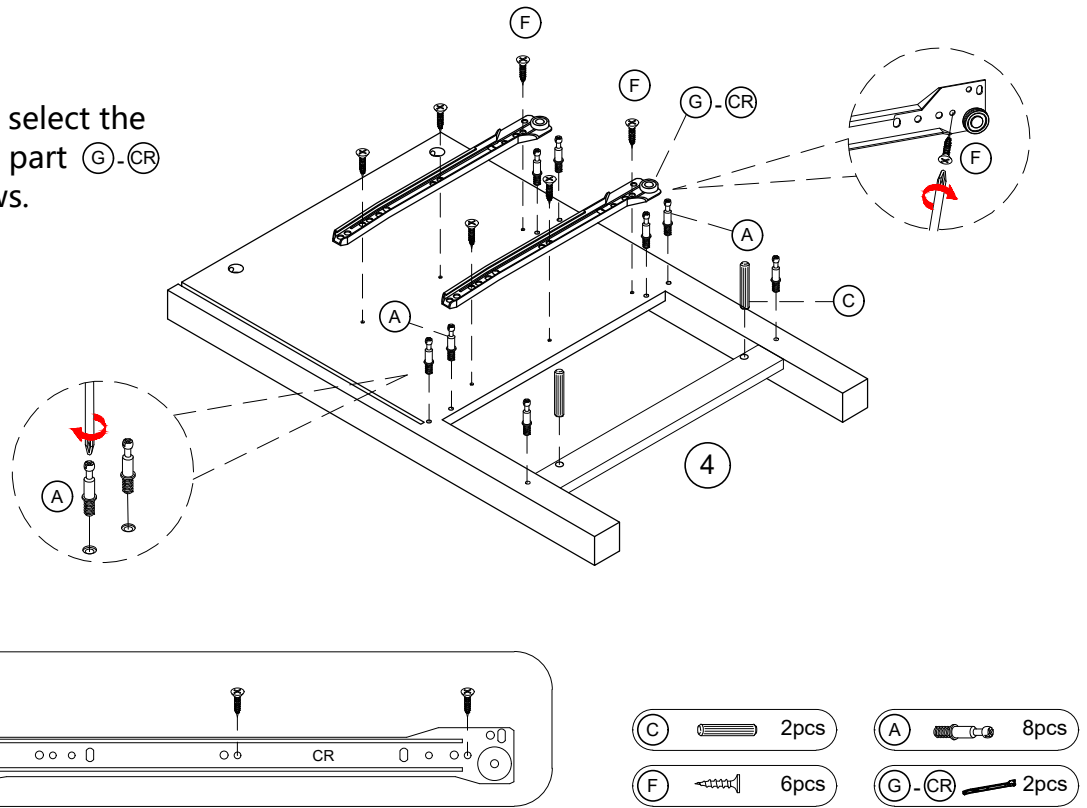


- (C) 2pcs
- (A) 8pcs
- (F) 6pcs
- (G)-CL 2pcs

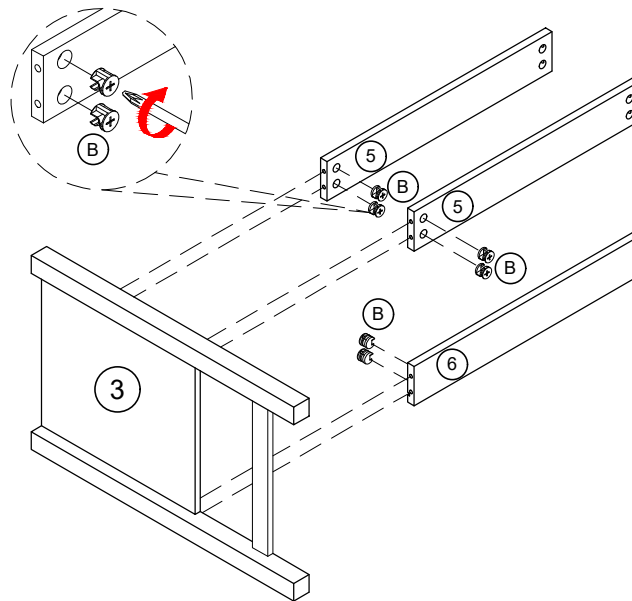
INSTALLATION STEPS

Step7

The screws shall select the correct holes on part (G)-(CR) as drawing shows.

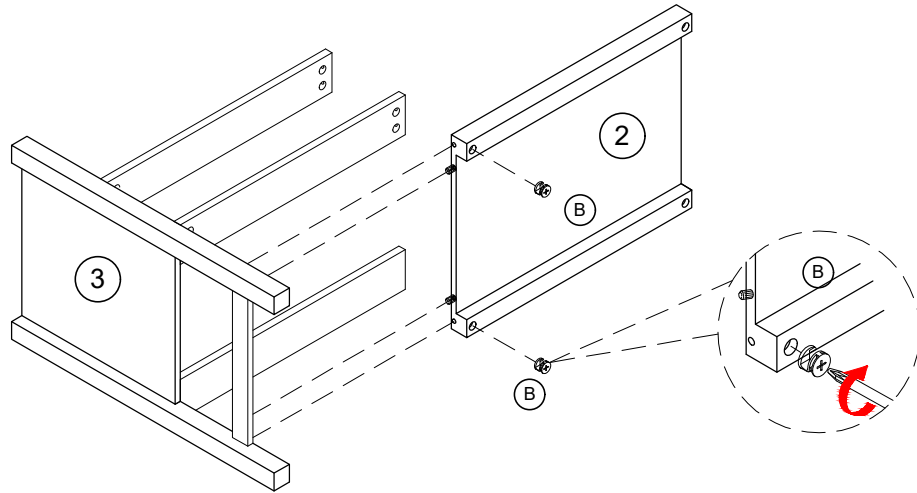


Step8



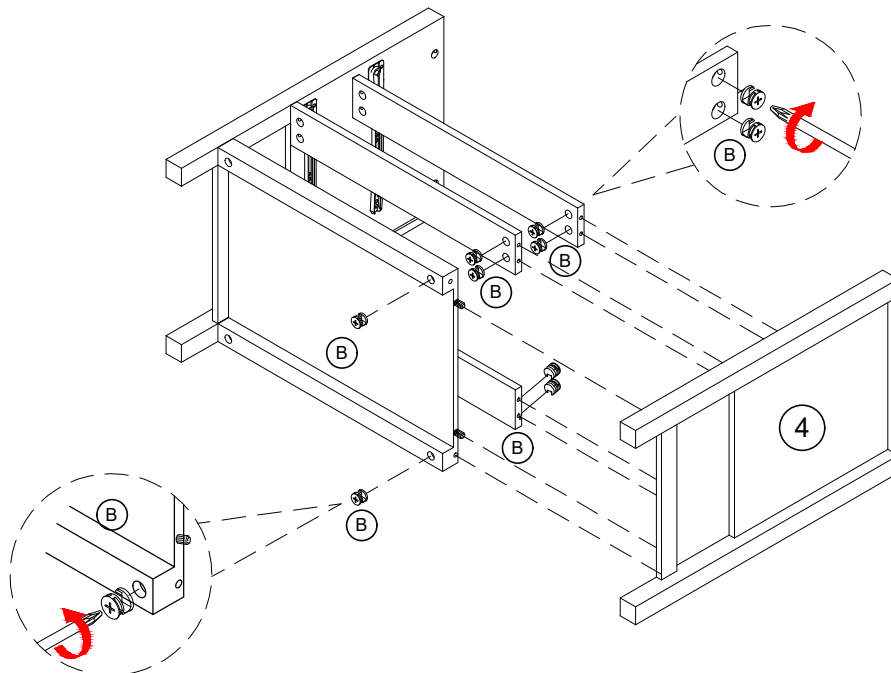
INSTALLATION STEPS

Step9



(B)  2pcs

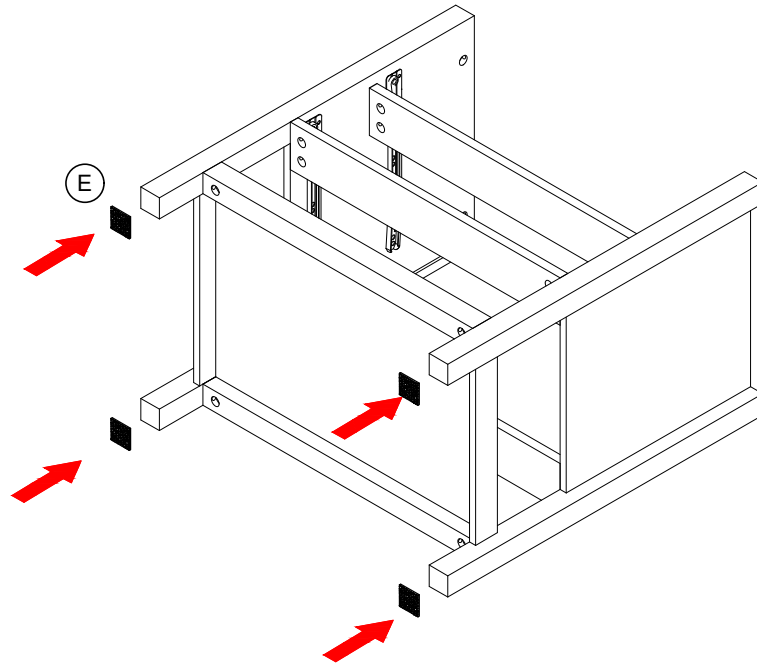
Step10



(B)  8pcs

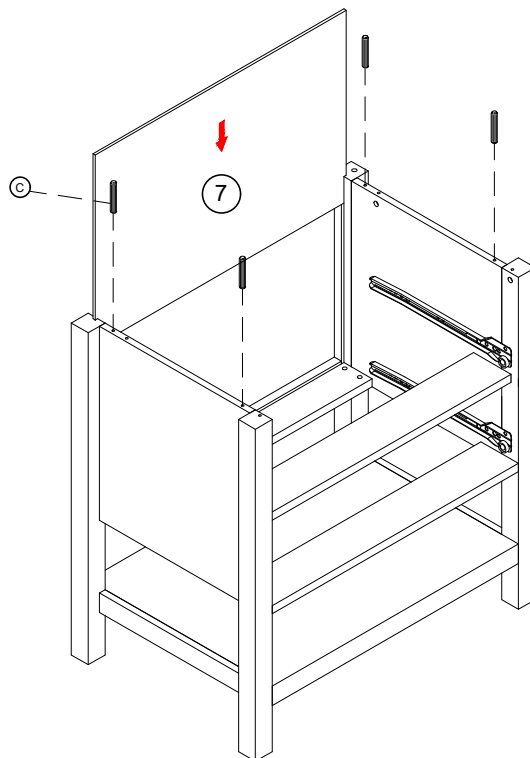
INSTALLATION STEPS


Step11



(E)  4pcs

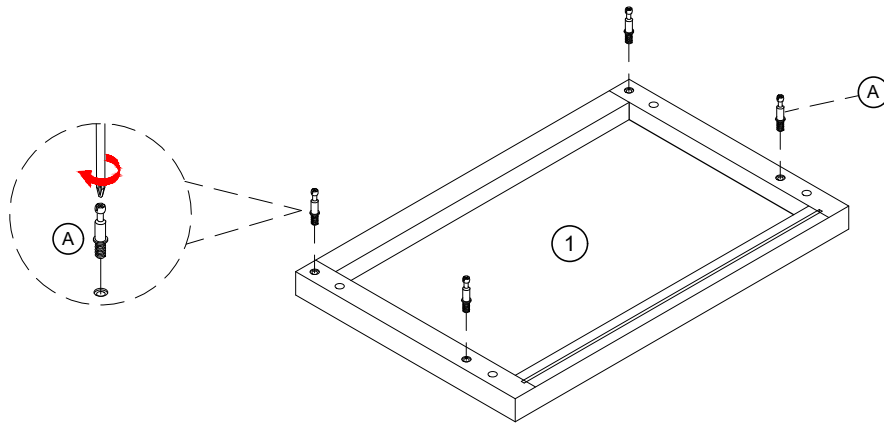
Step12




(C)  4pcs

INSTALLATION STEPS

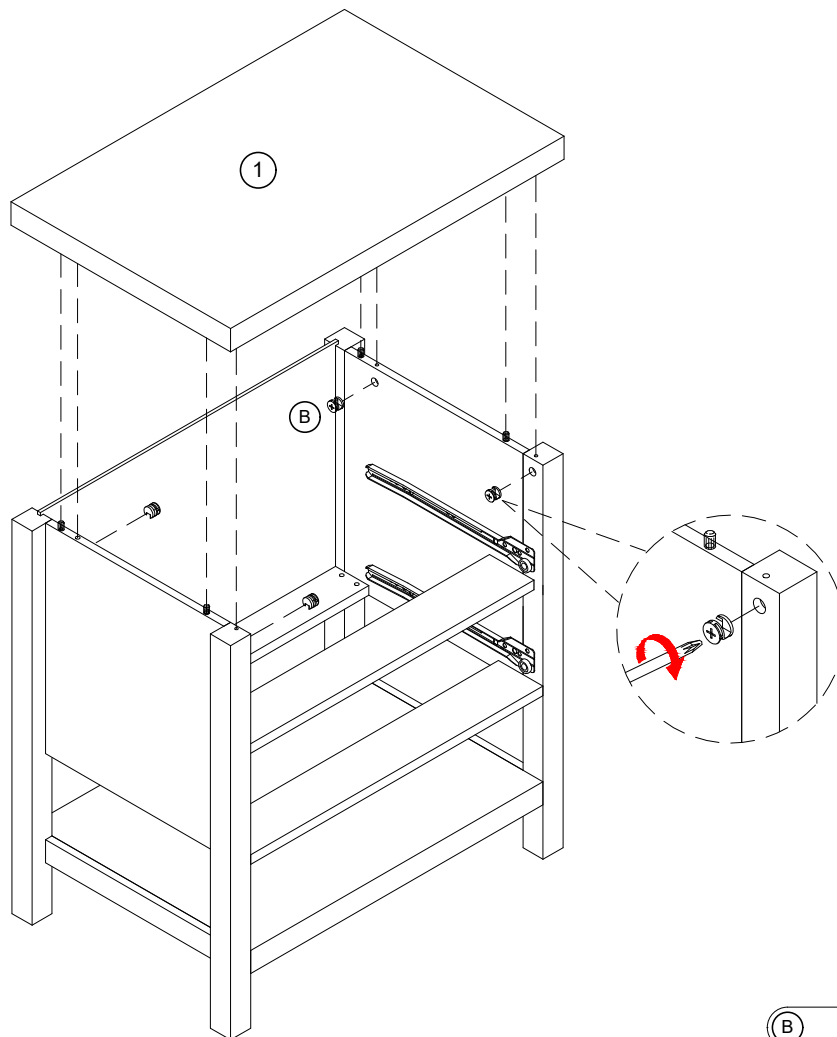
Step13



(A)  4pcs

Step14

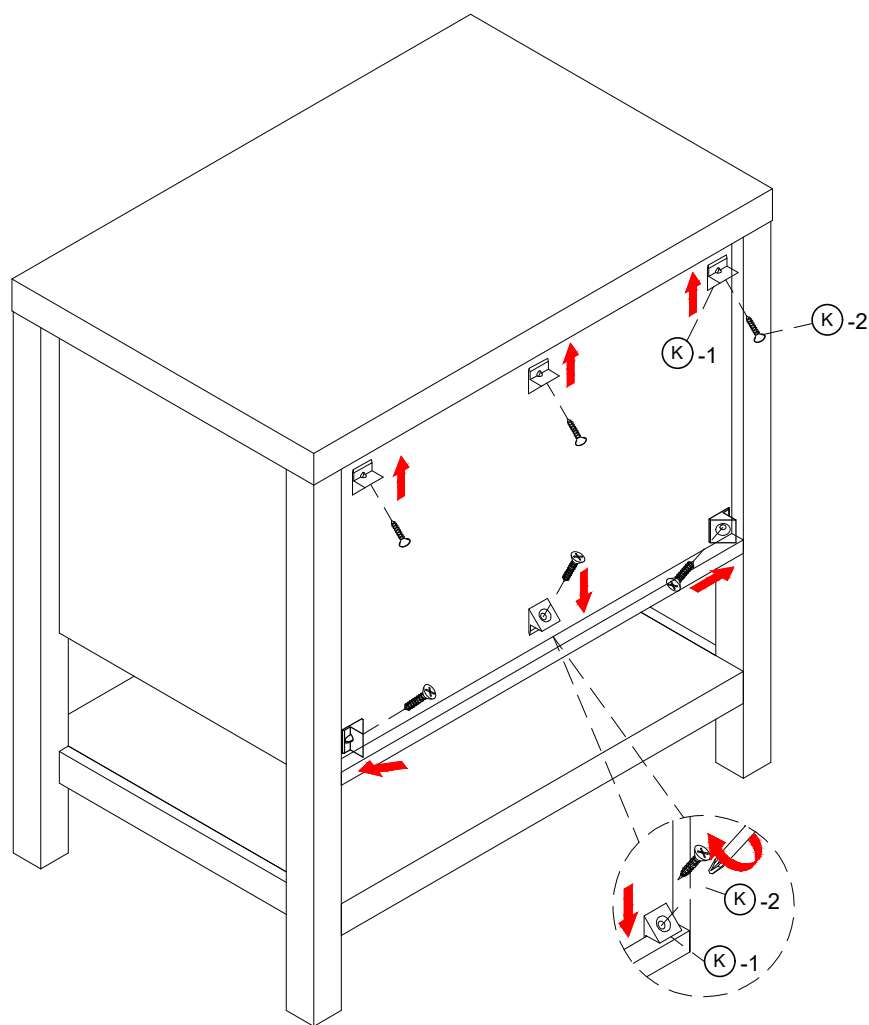
Manually balance base plate ① and achieve left, right, front, and rear symmetry before locking it.



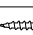
(B)  4pcs

INSTALLATION STEPS

Step15

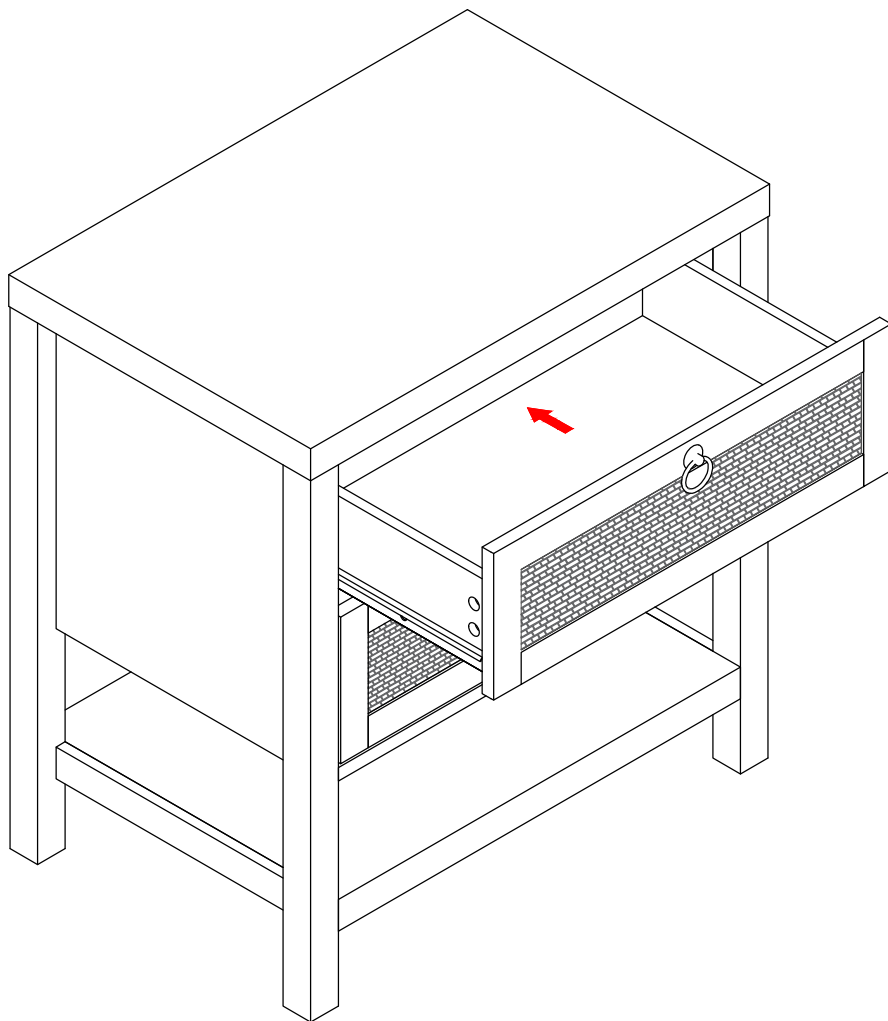


(K-1)  6pcs

(K-2)  6pcs

INSTALLATION STEPS

Step16



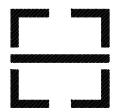
Final Assembly!

HELP CENTER

**Please contact us first
if you have any problem!**



Service@Eclatara.shop



Installation Video

If you have any concerns, please don't hesitate to email us. We assure you that we will resolve your problems within 24 hours.