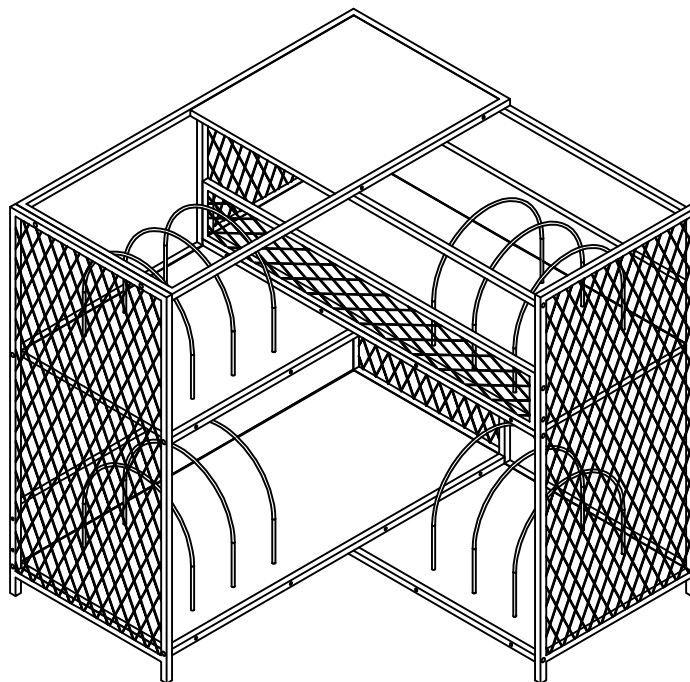
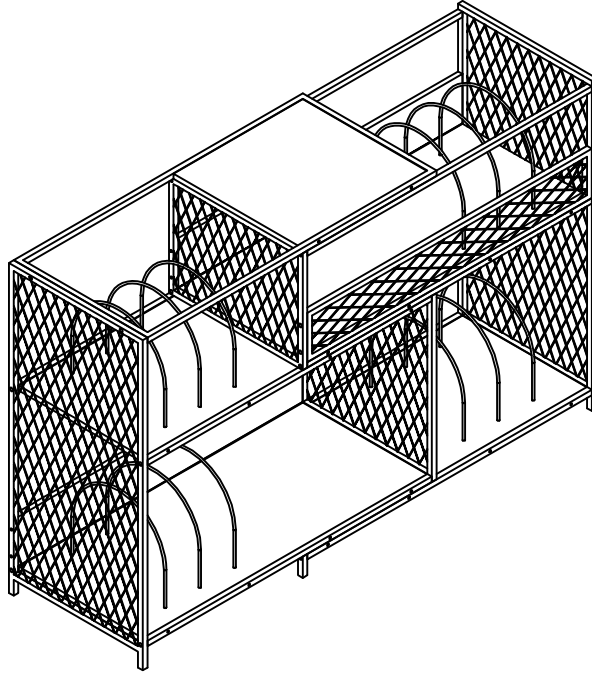


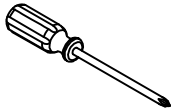
Installation Instruction



Assembling

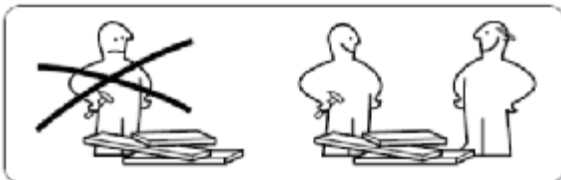
What you need

- Use the packaging carton as a working surface to prevent product damage during assembly
- Phillips head screwdriver



Weight Limitation

 **100** | **35**
lbs table top lbs per



What' included

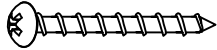
Code	Description	Qty
A	Wrench M4X70MM	1
B	The screw M3.5X40MM	46
C	The screw M6X25MM	26

The Hardware

Ⓐ



Ⓑ



Ⓒ



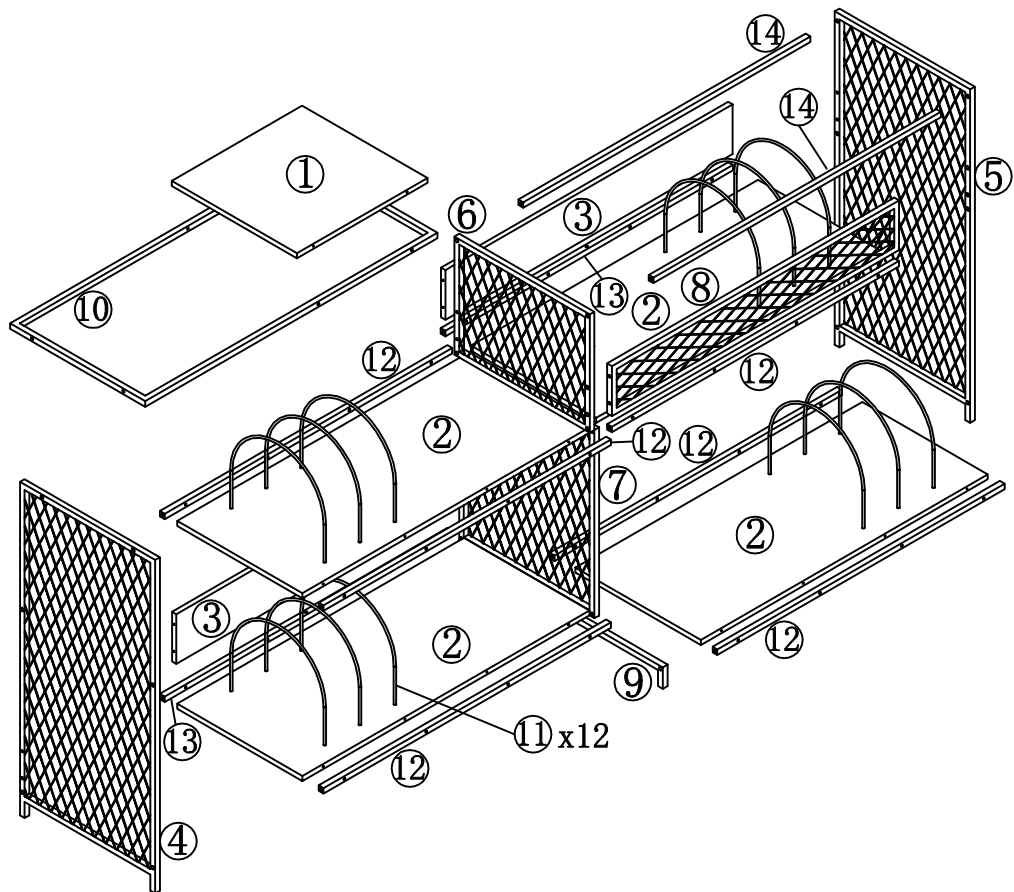
IMPORTANT:

1. Do not tighten bolts / screws completely until all bolts / screws are lined up and inserted into holes.
2. Do not over tighten screws and bolts to avoid stripping
3. Please use hand tools to assemble this product, you can also use power tools (please use power tools carefully).

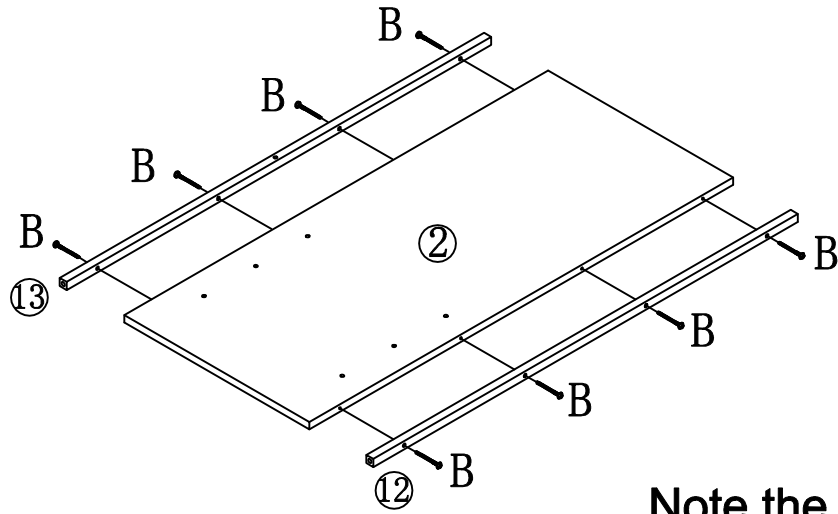
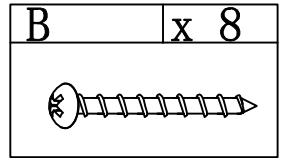
Included Accessories

Code	Description	Qty
1	Cabinet Top	1
2	Laminate Panel	4
3	Backboard	2
4	Left side frame	1
5	Right side frame	1
6	Top side frame	1
7	Bottom side frame	1
8	Front connecting frame	1
9	Supporting leg	1
10	Upper frame	1
11	Circular bar	12
12	Right lower connecting rod	6
13	Left lower connecting rod	2
14	Connecting rod on top right	2

The Accessories

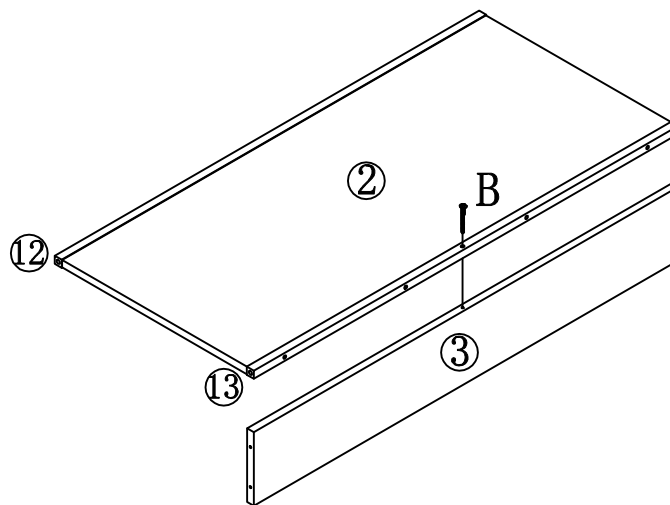
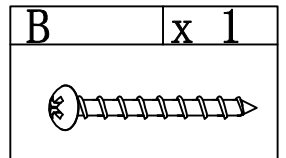


Step 1

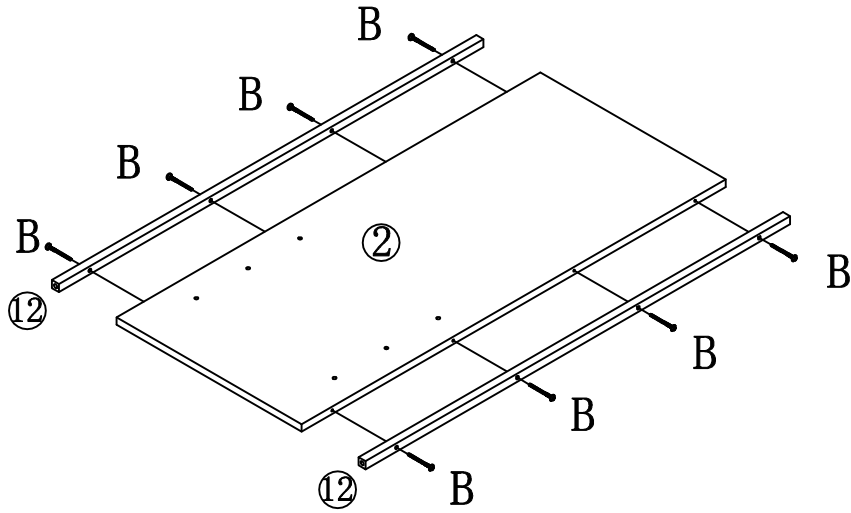
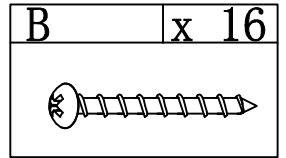


Note the direction
of board No. 2

Step 2

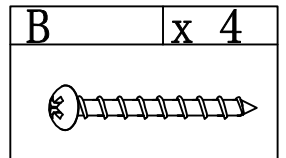


Step 3

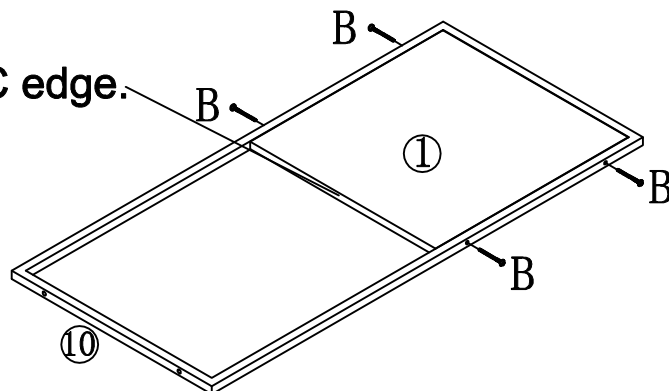


X 2

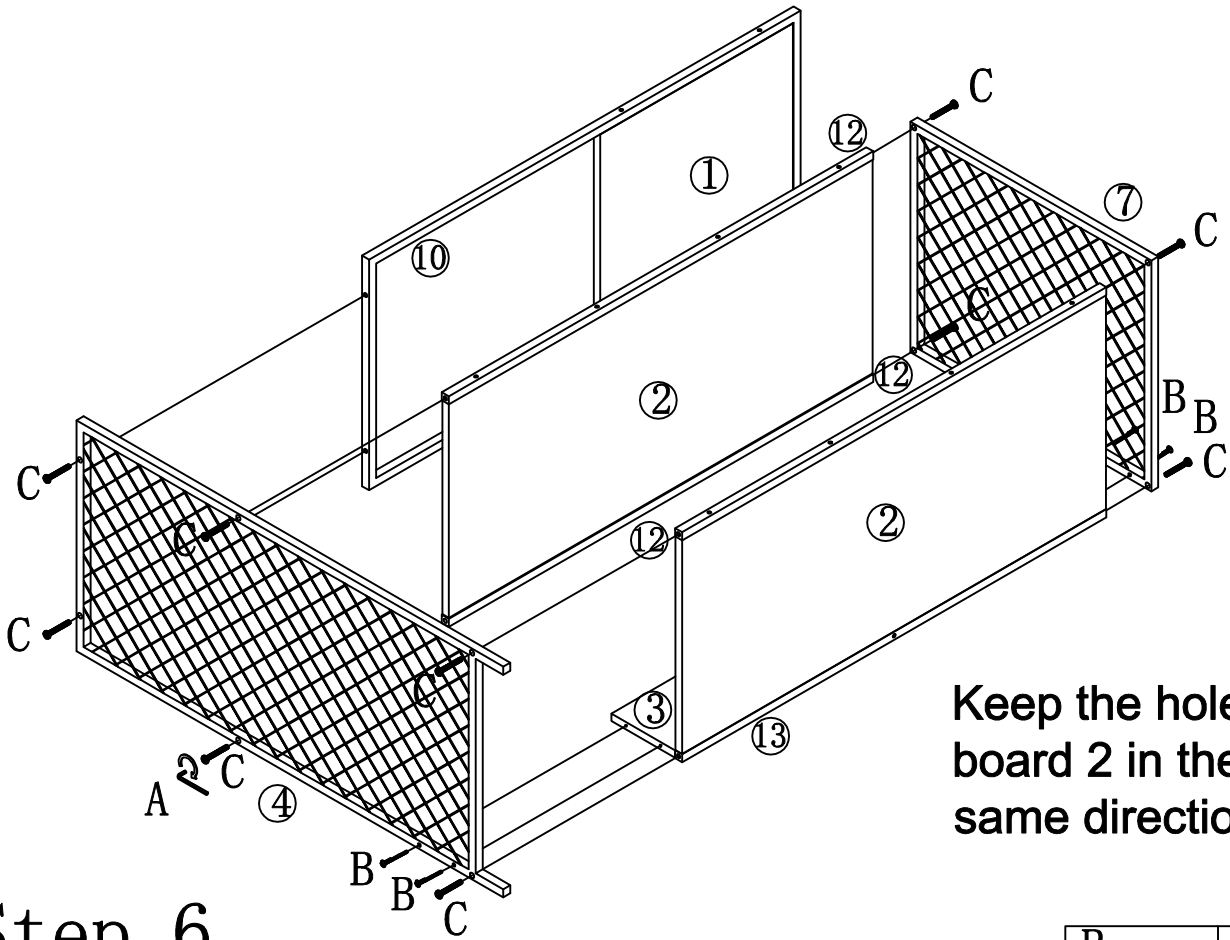
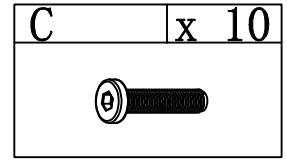
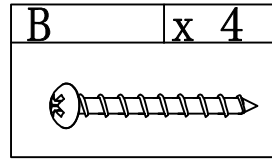
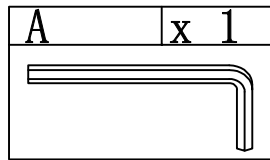
Step 4



There is have PVC edge.

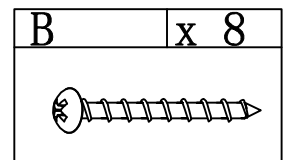


Step 5

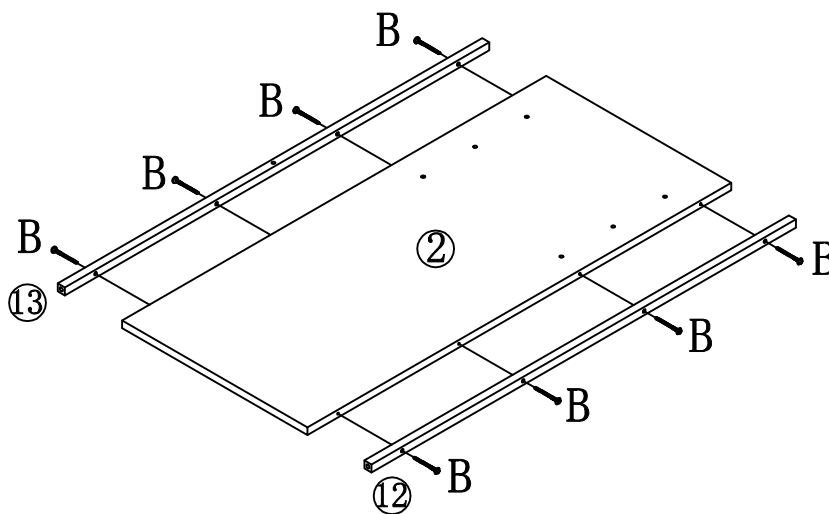


Keep the holes on board 2 in the same direction.

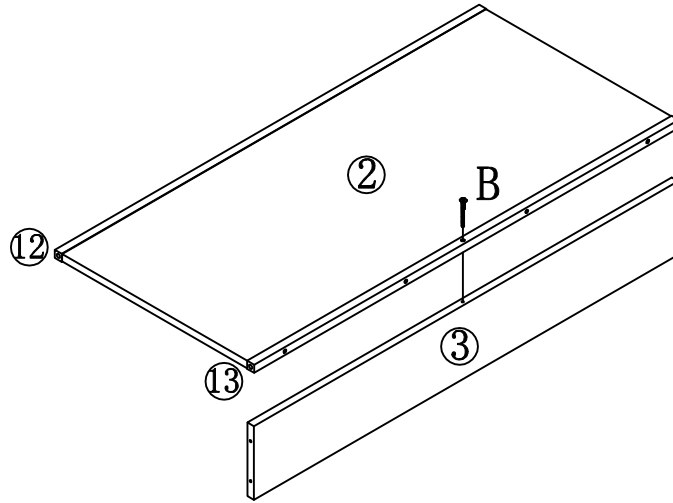
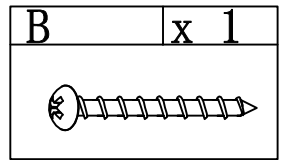
Step 6



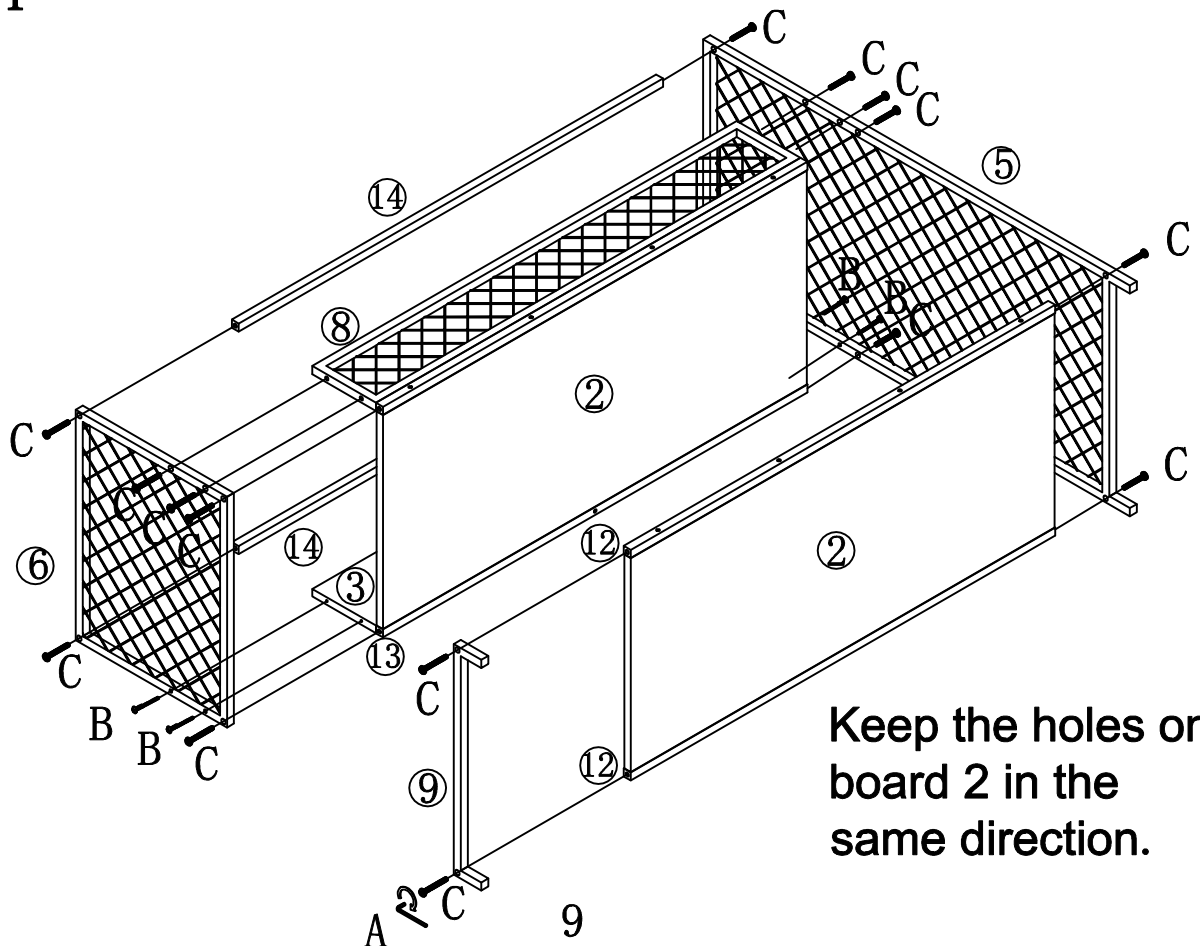
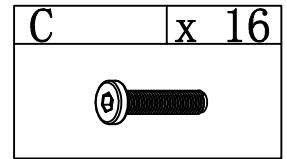
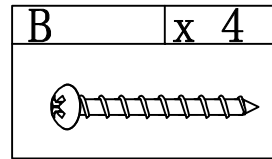
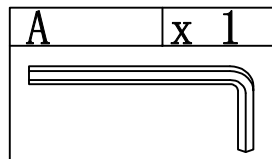
Note the direction of board No. 2



Step 7

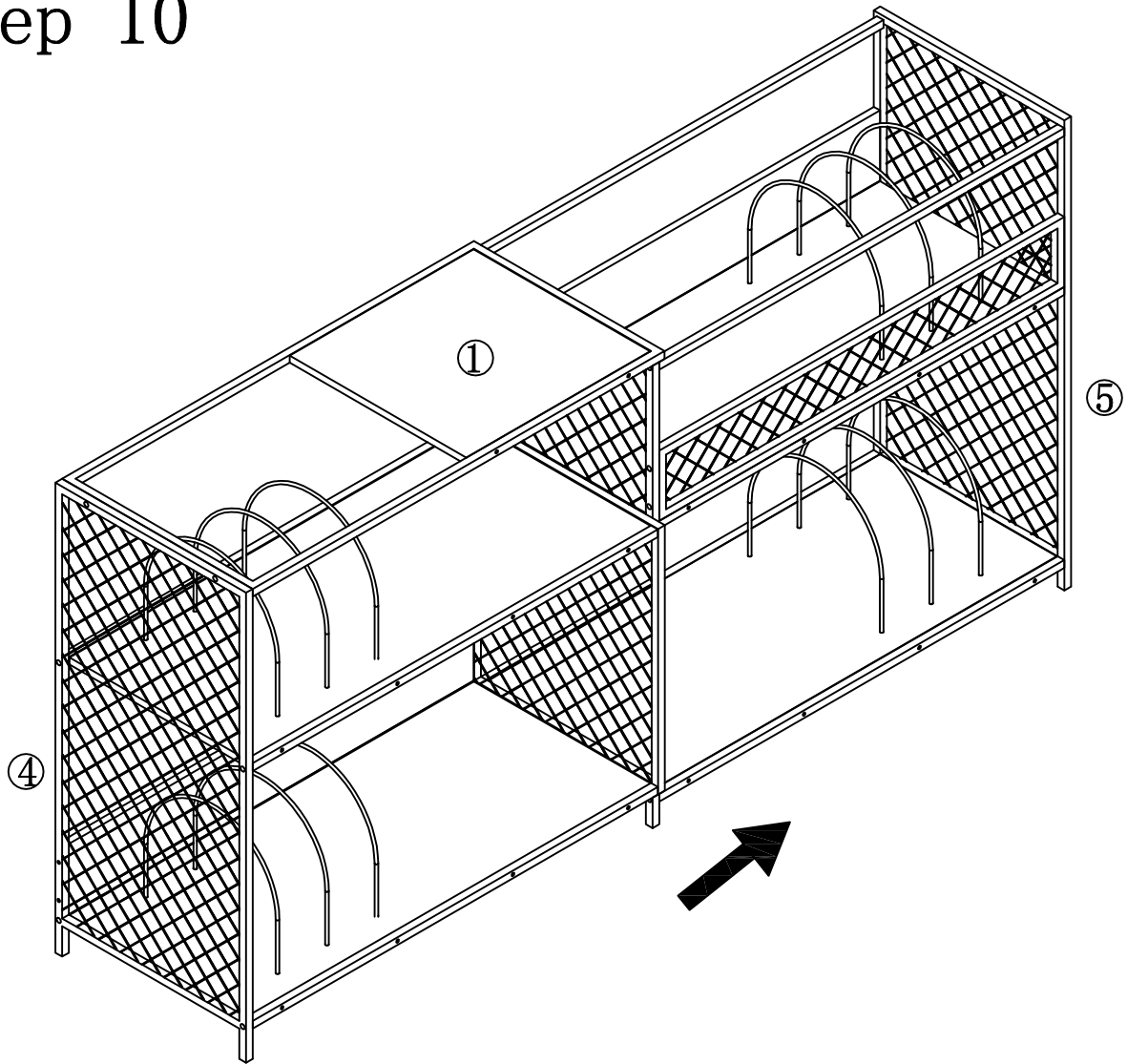


Step 8



Keep the holes on board 2 in the same direction.

Step 10



This product can be used from multiple angles!

