



# Fabric Storage Shed

8 x 8 x 7' (2.4 x 2.4 x 2.1 m)

## ASSEMBLY MANUAL

Model NO.:103-0285N



**Tools required for assembly (not included)**



## TABLE OF CONTENTS

Important safety instructions.....	2
Intended use.....	2
Parts list .....	3
Assembly preparation .....	4
Assembly.....	4 - 8

## IMPORTANT SAFETY INSTRUCTIONS



### WARNING!

- To reduce the risk of serious injury, read the following safety instructions before assembling and using the product.
- No responsibility is accepted for damages or injuries resulting from improper installation or noncompliance with these instructions.
- Please note that the Manufacturer has no control over the elements such as wind, heavy snow or rain. The Manufacturer cannot control the location or soil conditions into which the shed is placed. The Manufacturer, without control of the elements, location or soil conditions, cannot be held responsible for damages caused by the shed to other items or damages to the shed itself.

- This product is a temporary structure and is not recommended as a permanent structure.
- Choose your shed's location carefully. Install your shed on flat horizontal ground only.
- Ensure enough clearance around the product. Before assembling the product, find level ground not less than 6' (1.8 m) away from any structures or obstructions, such as fences, garages, houses, etc.
- Check for overhead utility lines, branches, laundry lines, etc. Do not install near roofs or other structures that may shed snow, ice or excessive run-off onto your shed. **Keep away from electrical wires!**
- Check municipal by-laws before setting up the product.
- Get an overview of all parts before attempting installation. Make sure all components are present.
- Do not use this product in environments for which it is not intended (i.e. extreme cold, high winds, extreme heat, heavy rainfall, etc.).
- Always wear safety glasses when assembling this product. Wear gloves when working with tubing to prevent cuts or abrasions.
- Any assembly or maintenance on the product must be carried out by adults only.
- Make sure you have the necessary manpower when assembling or moving the product.
- Keep children and pets away while setting up the product.
- CAUTION! Always keep children under close supervision while they are using this product or are in its vicinity. Never leave children unattended.
- CAUTION! Anchors must be used with all sheds. Covers should not be installed on any product until it has been properly anchored to the ground.
- Proper anchoring, keeping the cover tight and free of snow and debris is the responsibility of the consumer. Damages caused by improper anchoring are not included in the warranty.
- WARNING! Keep all flames and heat sources away from this fabric shed. The fabric will burn if left in continuous contact with a flame source.
- Do not use product with open flames and heated elements inside or near the product, including all types of stoves, gas heaters, gas lanterns, citronella torches, mosquito coils, etc.
- WARNING! In order to reduce risk of burning and avoid damage, DO NOT
  - cook, smoke, refuel or use any open flame devices in or around the shed.
  - store flammable liquids (gasoline, kerosene, propane, etc.) in the shed.
  - operate gas-powered vehicles/equipment in or around the shed.
- Keep open flames a safe distance away from the shed.
- Do not use hard-edged tools or instruments, such as rakes or shovels, to remove snow. These may puncture the cover.
- NEVER start the engine of any vehicle or machine inside a closed shed. Ensure good ventilation when starting engines and when doing any work with paints, cleaning agents, etc.
- This shed is NOT meant to hold heavy snow or ice loads. Snow or ice accumulation may cause your shed to collapse. To avoid overload, brush snow and ice from the roof with a broom or mop.
- NEVER clear the roof of snow or debris from inside the shed to avoid collapse, damage to property, personal injury and/or death.
- Remove accumulated water from the roof immediately or disassemble the shed in order to avoid any damage.
- Do not use alkaline detergents for cleaning. It will damage the polycarbonate material. Soap and warm water are recommended.

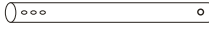


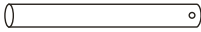
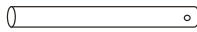
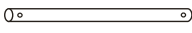
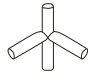



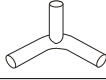
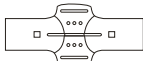
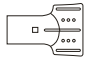
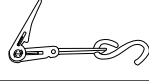








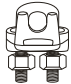


## IMPORTANT! READ CAREFULLY AND RETAIN FOR FUTURE REFERENCE

### INTENDED USE

This temporary shed is intended to offer protection from damages caused by the sun, light rain, light snow, tree sap, bird and animal excrements. Do not use it to shield goods from high winds, heavy snow or ice storms. Only use it for its intended use.

**PARTS LIST**

No	Description	Illustration	Qty
1	Upright Pole with Dimples		6
2	Center Extension Tube		2
3	Bent Corner Leg		4
4	Shoulder Cross Rail		6
5	Rafter Pole		6
6	Bottom Cross Rail		4
7	4-Way Peak Connector		1
8	3-Way Side Connector - Left		2
9	3-Way Side Connector - Right		2
10	4-Way Side Connector		2
11	3-Way Peak Connector		2
12	4-Way Cross Rail Clamp		4
13	3-Way Cross Rail Clamp		8
14	Ratchet Tie Down		8
15	M6x40 Bolt		8
16	M6 Lock Nut		8
17	M6 Washer		8
18	Roof Tarp		1
19	Front Door Panel (with zipper)		1
20	Back Panel		1
21	Anchor		4
22	Cable (1' / 30 cm)		4
23	Cable Clamp		4

## ASSEMBLY PREPARATION

- Place all parts from the packaging box in a cleared area and arrange them on the ground in front of you.
- Remove all packaging materials and place them back in the box. Do not dispose of the packaging materials until assembly is complete.
- Check for completeness and transport damages.

### WARNING!



- Do not place the product under trees from which hard fruit such as apples, walnuts or heavy pine cones, etc., may fall. The shed's cover only protects against normal leaves and light debris, whereas large branches or other falling items may puncture or tear the cover material.
- Keep children away during assembly. This product contains small parts which can be swallowed by children.
- Do not attempt to assemble the product if any parts are missing.
- At least 2 people are needed to complete the assembly as some of the steps require heavy lifting.



### Tools required for assembly (not included)

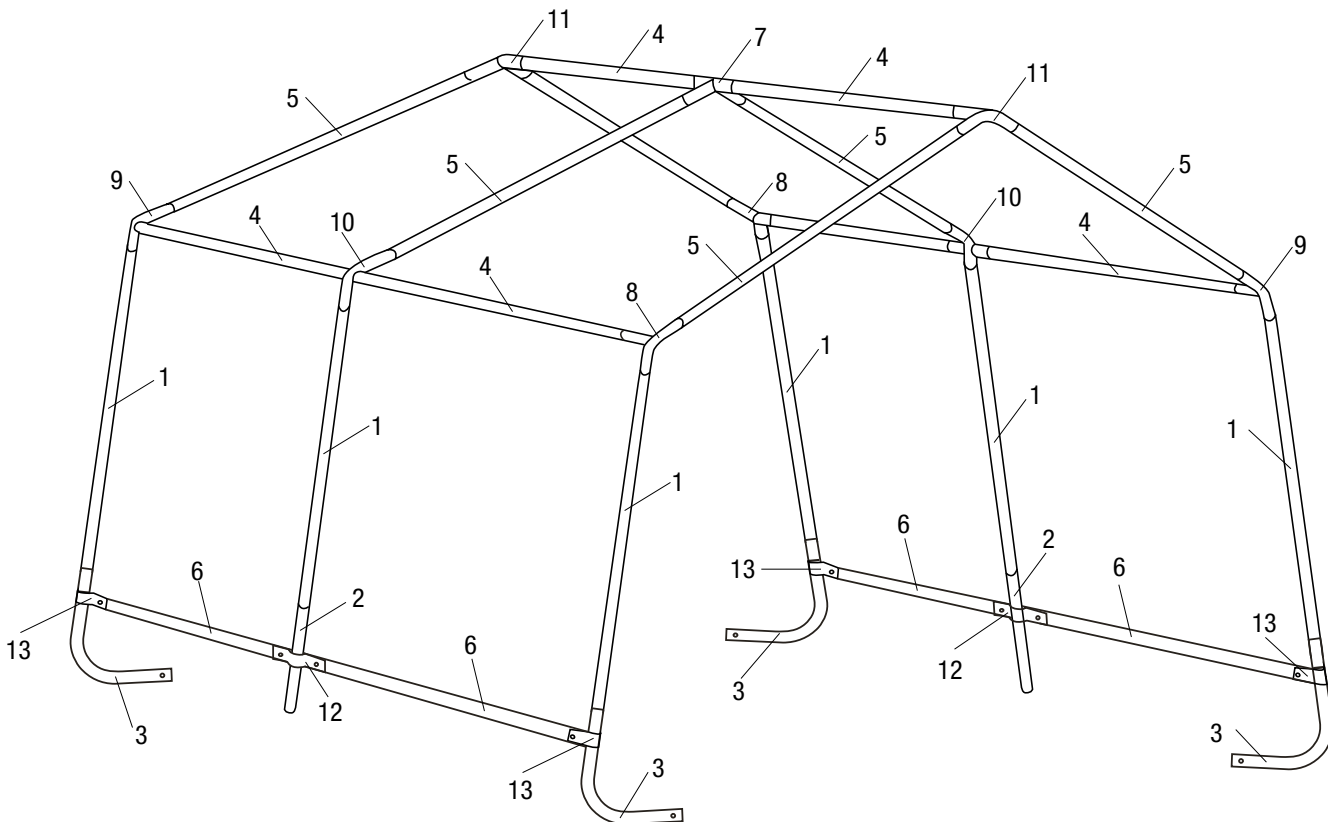
## ASSEMBLY



### WARNING!

- Do not leave the shed unattended during assembly. Otherwise, personal injury or damage to the shed may occur!

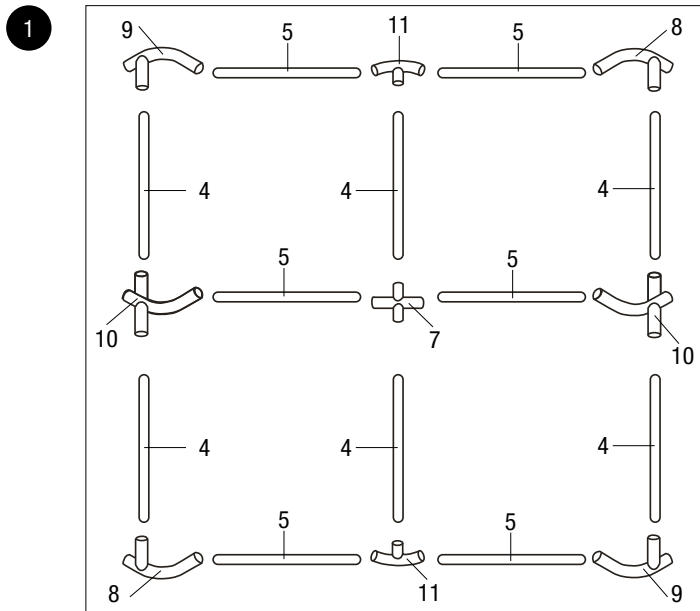
### Frame assembly overview



# ASSEMBLY

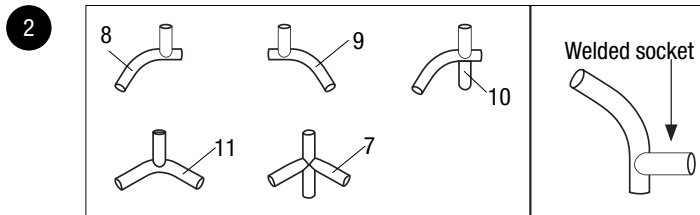
## Step 1: Assembling roof frame

- Lay out the roof frame parts as shown below (fig. 1).

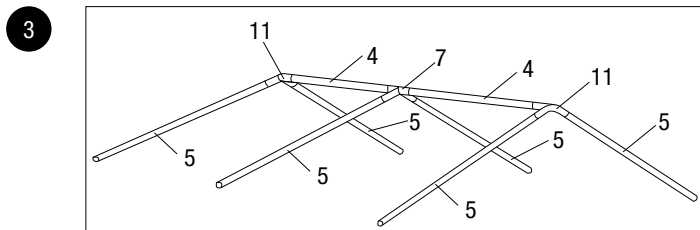


**NOTE:**

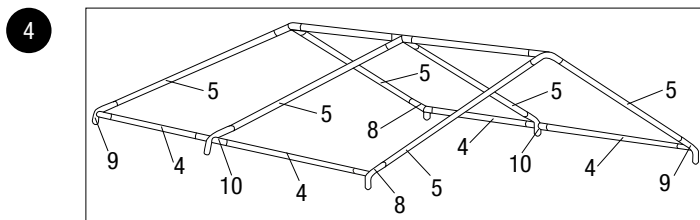
- The five connectors are different and individually numbered. When using them, ensure the welded socket for the cross rail is below the bend (fig. 2).



- Assemble the center section of the roof using the shoulder cross rails (4), 3-way peak connectors (11) and 4-way peak connector (7). Insert the rafter poles (5) into the connectors afterwards (fig. 3).



- Attach the shoulder cross rails (4) to the 3-way side connectors (8, 9) and 4-way side connectors (10). Insert the connectors (8, 9, 10) into the rafter poles (5) to complete the assembly of the roof (fig. 4).



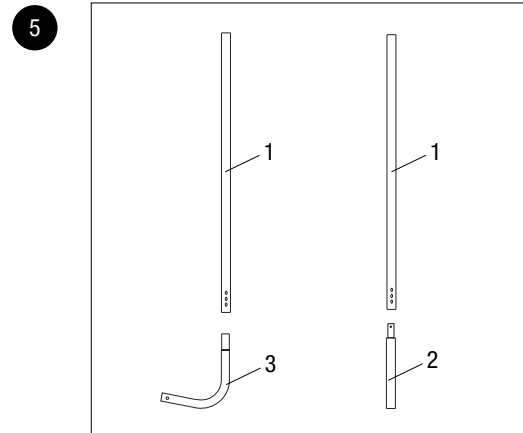
**NOTE:**

- Be sure that all tubes are fully inserted. Use a rubber mallet if necessary.
- When using the connectors, be sure to remove the protective caps first.

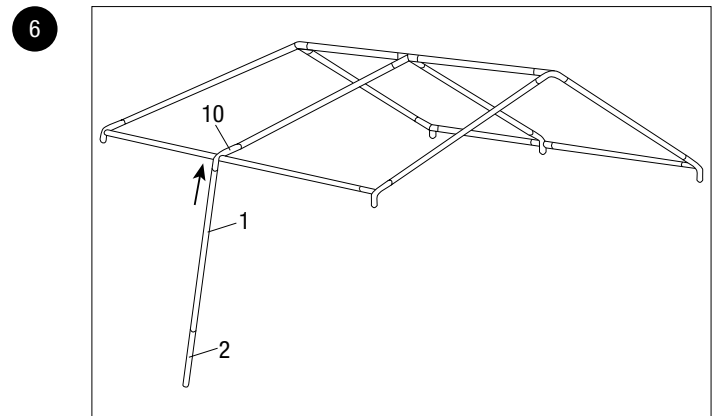
## Step 2: Attaching legs

- Assemble the legs (fig. 5).

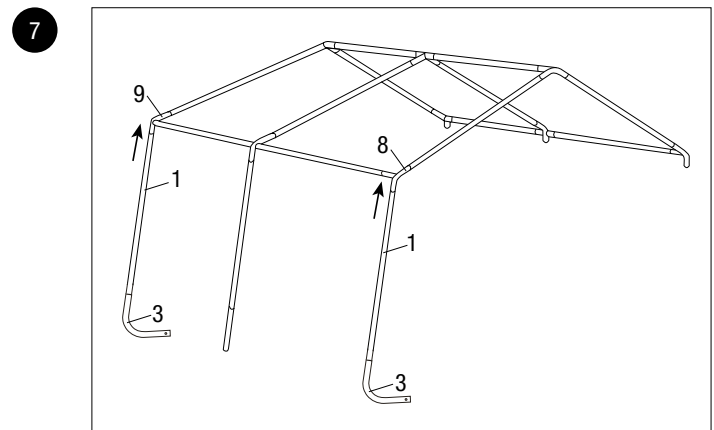
Leg type	Qty	Connect to
Corner legs	4	Upright pole (1), Bent corner leg (3)
Center Legs	2	Upright pole (1), Center extension tube (2)



- Insert one assembled center leg into the 4-way side connector (10) (fig. 6).

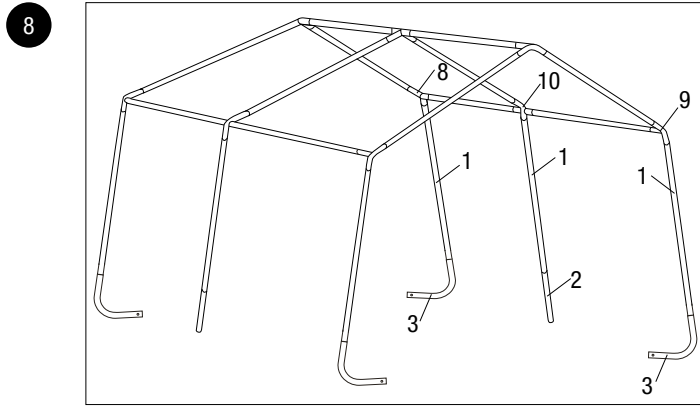


- Insert the corner legs into the corresponding side connectors (8, 9) (fig. 7).



**Step 2: Attaching legs**

- Repeat the same procedure on the opposite side. (fig. 8).

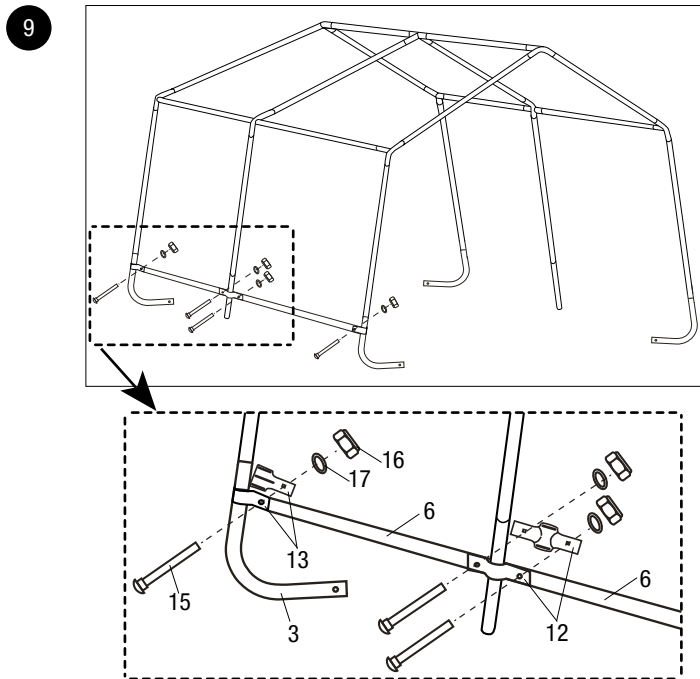


**NOTE:**

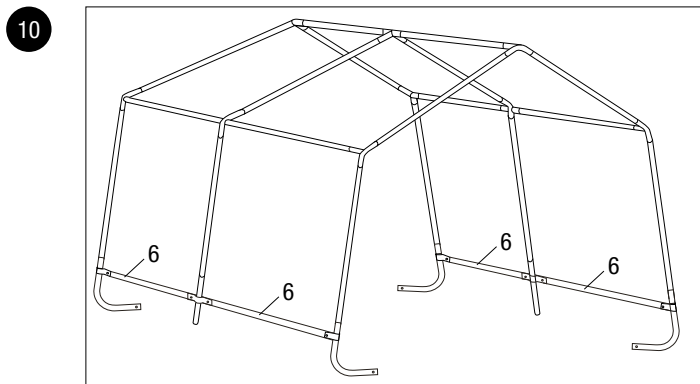
- Do not let the roof rest on the legs until all three legs on one side are completely installed and in place.

**Step 3: Attaching bottom cross rails**

- Attach the bottom cross rails (6) to the legs and cover the joints with the cross rail clamps (12, 13). Align all holes and insert the fittings (15, 16, 17) (fig. 9). Do not tighten fully at this stage.

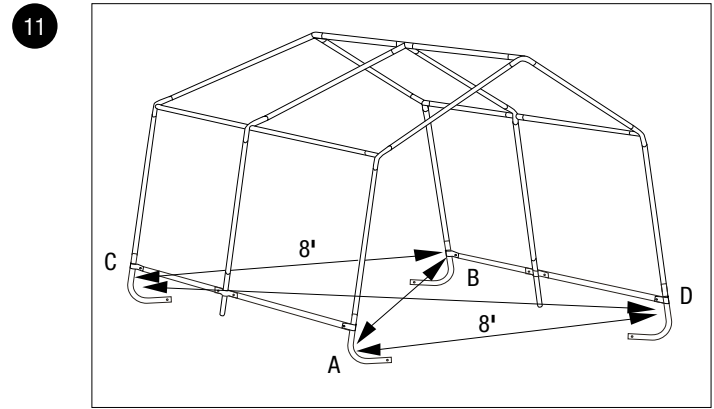


- Repeat the same procedure on the opposite side.
- Adjust the bottom cross rails (6) so that they are of same height from the ground. Now tighten the fittings (15, 16, 17) (fig. 10).



**Step 4: Squaring up frame**

- Be sure the frame is standing at the desired location.
- Level the frame both end-to-end and side-to-side.
- Check that the frame measures 8' (244 cm) in width (fig. 11).
- Measure the distance between the interior of the frame feet diagonally. The sections A to B and C to D should be of equal length (fig. 11). If they are not of equal length, tap the corner leg of the longer section (using a rubber mallet) inward until both diagonals are equal.



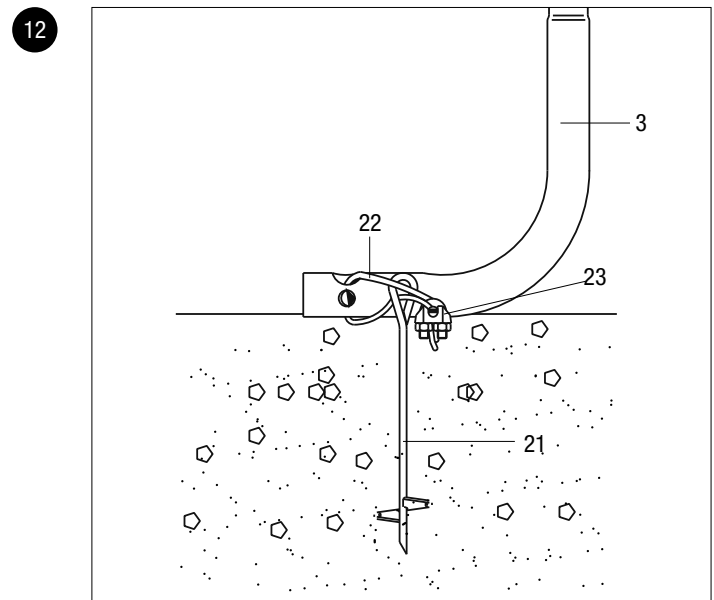
**Step 5: Anchoring frame**

**CAUTION!**



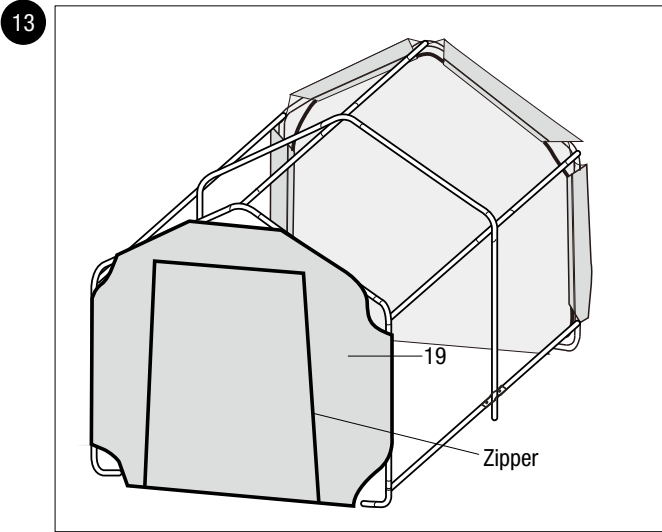
- The shed must be well-anchored.
- Do not attempt to install any of the fabric before the frame is properly anchored.
- If the ground is hard or rocky, pre-drill holes before inserting the anchors.

- Four anchors (21) are provided to secure the shed. They are to be installed around the bent corner legs (3) at each corner of the shed.
- Screw the anchor head into the ground.
- Insert the cable (22) through the eyelets of the anchor (21) and the bent corner leg (3). Secure the cable (22) with the cable clamp (23) (fig. 12).
- Repeat the same procedure for the other three anchors (21).

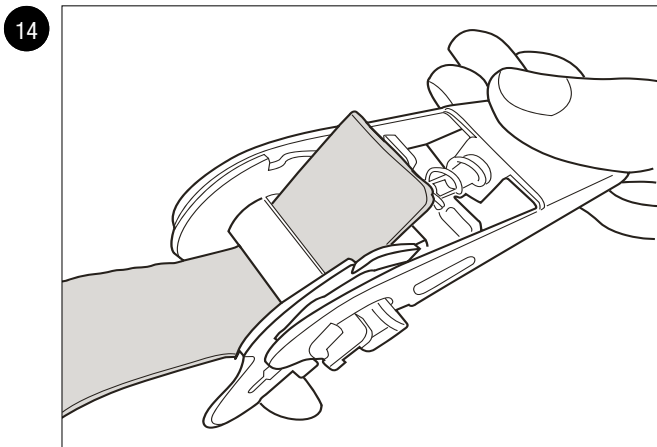


**Step 6: Installing front door and back panels**

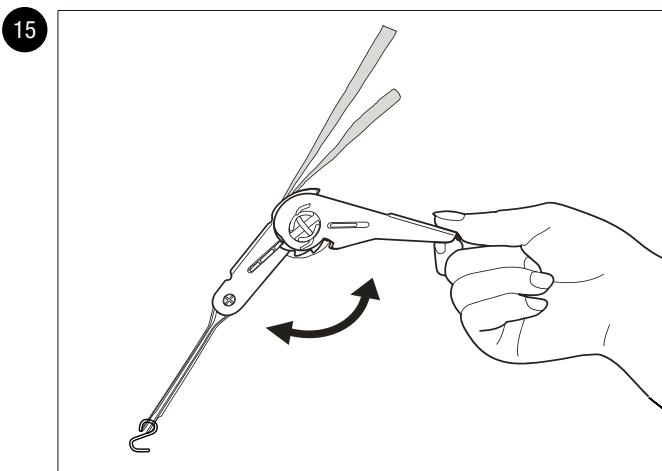
- Install the front door panel (19) first. During installation, ensure the zipper of the front door panel (19) is closed, for easier installation (fig. 13).



- To make sure the strap will stay in the sleeve when assembly thread the strap through the spindle of the ratchet (fig. 14).

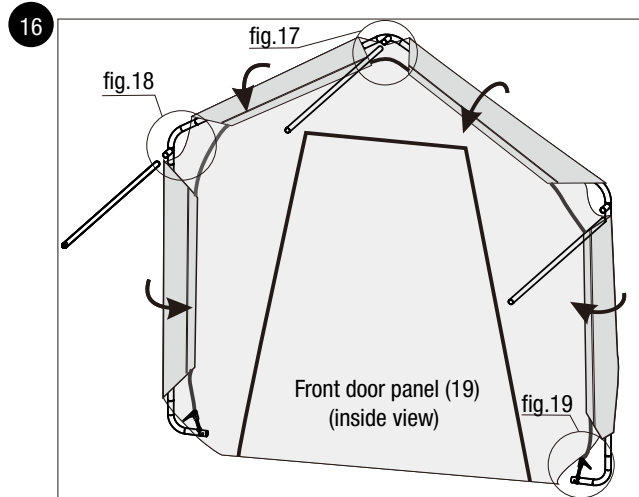


- Raise and lower the handle two or three times to wind the strap onto the spindle (fig. 15).

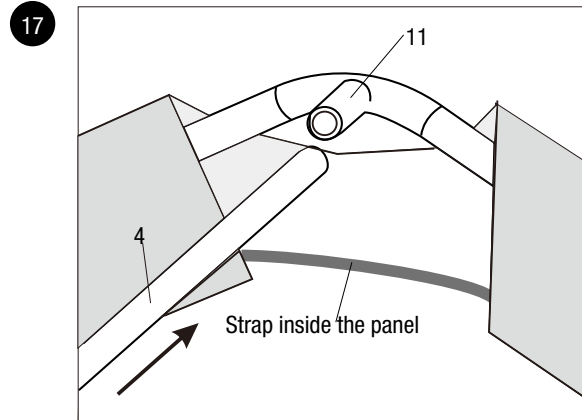


**WARNING!**

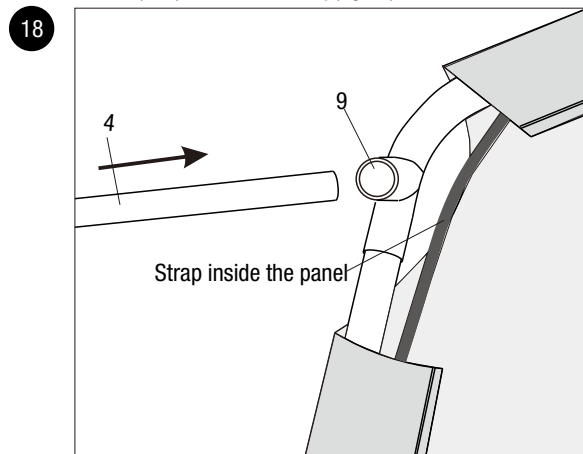
- Do not thread poles through the sleeves. To tighten, wrap the outer sleeves around poles and tighten using the straps provided (fig. 16).



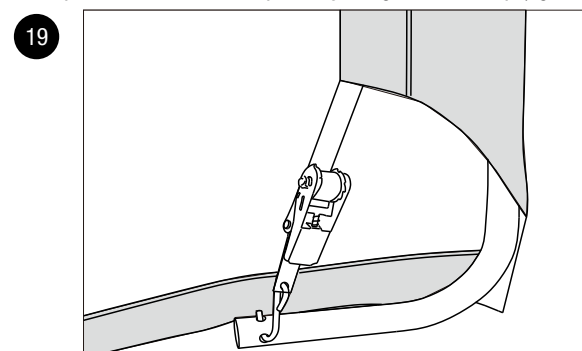
- Locate the top part of the front door panel (19) near the 3-way peak connector (11), disconnect the shoulder cross rail (4) from the 3-way peak connector (11), and pull the strap onto the connector (11). Then re-insert the cross rail (4) to its proper position (fig. 17).



- Attach the other two corners of the front door panel (19) to the 3-way side connectors (8, 9) in the same way (fig. 18).



- Insert the S-hook of the ratchet into the hole of the bent corner leg (3). Pump the ratchet handle repeatedly to tighten the strap (fig. 19).





- Repeat the same procedure to install the back panel (20) to its proper position.

**Step 7: Installing roof tarp**

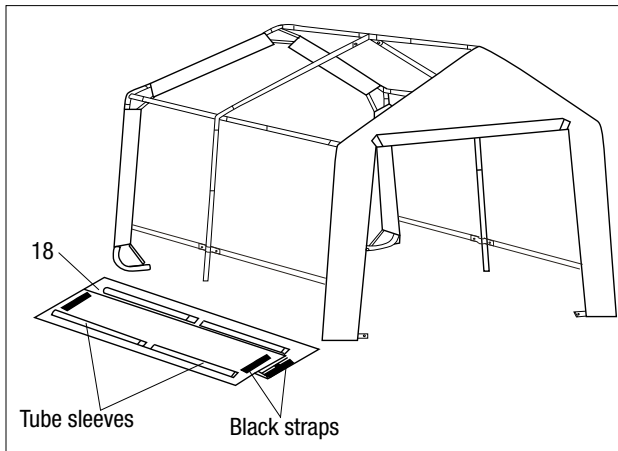


**NOTE:**

- The roof tarp (18) is pre-assembled with tube sleeves along its lower part on each side.

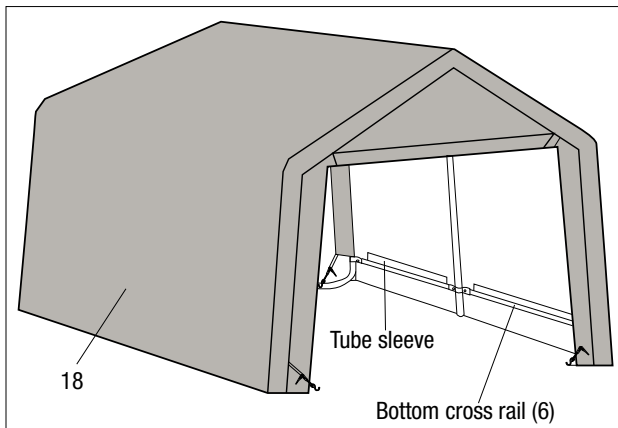
- Lay the roof tarp (18) on the ground next to the shed frame. Make sure that the ends with the black straps are alongside the front door/back panels (19, 20) and the tube sleeves are facing upward (fig. 20).

20



- Stretch the roof tarp (18) over the shed frame and make sure it is centered on the frame (fig. 21). Use a ladder if necessary.

21



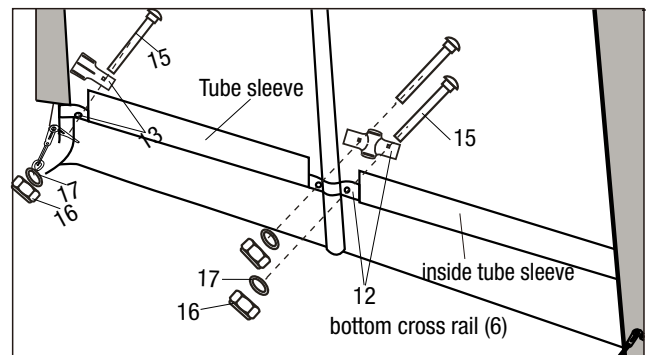
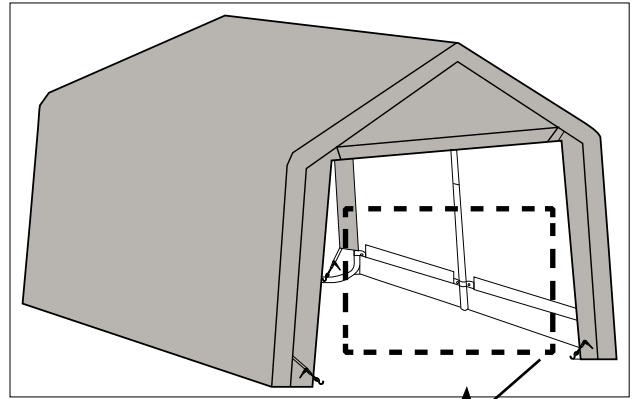
**Caution!**

- If small adjustments are needed, two people should pull the roof tarp (18) from the same side so that it does not twist.

- loosen the bottom cross rails (6) from the frame. Slide the cross bottom rails (6) through the tube sleeves on one side of the roof tarp (18). Re-assemble the clamps (12) (13) and fitting (15, 16, 17) and tighten slightly (fig. 22).

22

- Make sure the cross rails (6) are level and horizontal.



- Repeat the same procedure for the opposite side of the roof tarp (18).
- Check and make sure all the bottom cross rails (6) are level and horizontal, and are of the same height from the ground.
- Tighten all the nuts and bolts at this stage.
- Fasten the black straps at the four corners with the ratchet tie-down (14). For details, see the corresponding instructions on page 7.
- Now the shed is ready for use.



**Caution!**

- Check and tighten the bottom cross rails (6) and ratchets (14) monthly to ensure that the roof tarp (18) is tight and safe.
- When disassembling the shed, press the spring-loaded bar and open the ratchet handle completely to pull out the strap (fig. 23).

23

