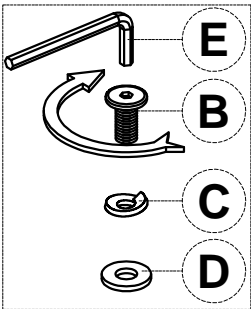


ASSEMBLY INSTRUCTIONS & PARTS IDENTIFICATION CONSOLE 67" WALNUT

Thank you for purchasing this quality product. Be sure to check all packing material carefully for small parts that may have come loose inside the carton during shipment.

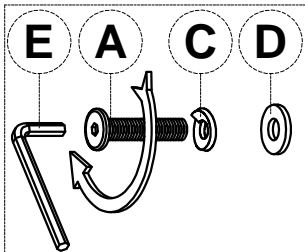
KEY COMPONENTS				KEY COMPONENTS			
No.	Code	Q'ty	Description	No.	Code	Q'ty	Description
1		1 Pc	Left Side facing door	7		4 Pcs	Leg
2		1 Pc	Right Side facing door	8		1 Pc	Middle leg
3		3Pcs	Drawer	9		4 Pcs	Door hinge
4		2 Pcs	Shelf	10		6 Pcs	Extension drawer glide
5		3 Pcs	Drawer pull w/ screw	11		8 Pcs	Shelf pin
6		2 Pcs	Door pull w/ screw	12		5 Pcs	Levelers
				13		1 Kit	Anti-tip kit

METAL PLATE ATTACHMENT

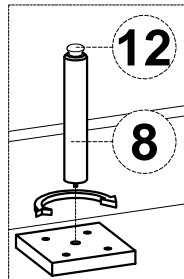


x4

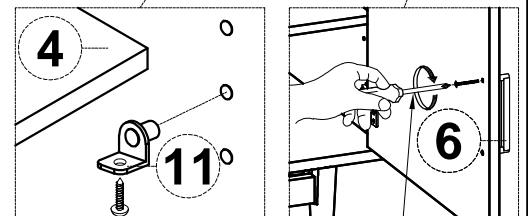
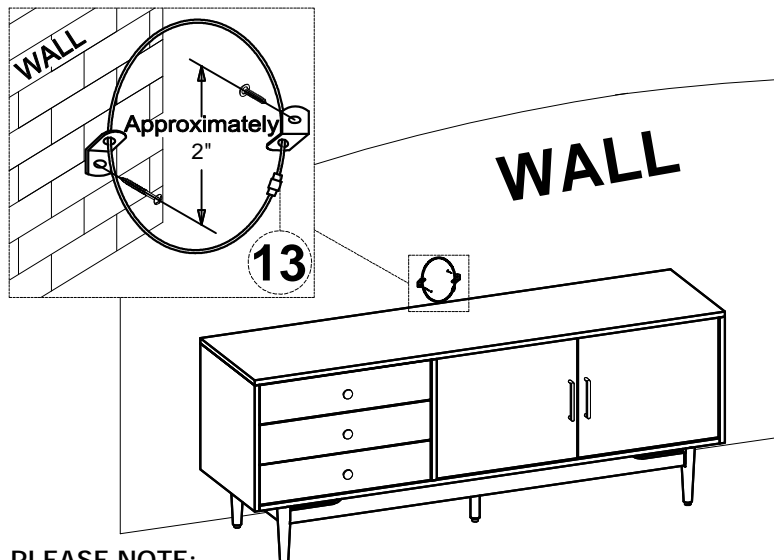
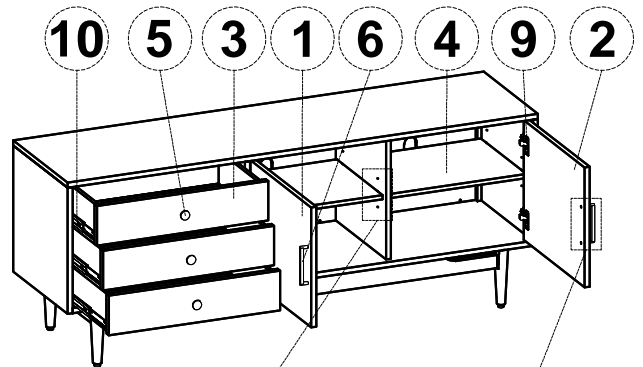
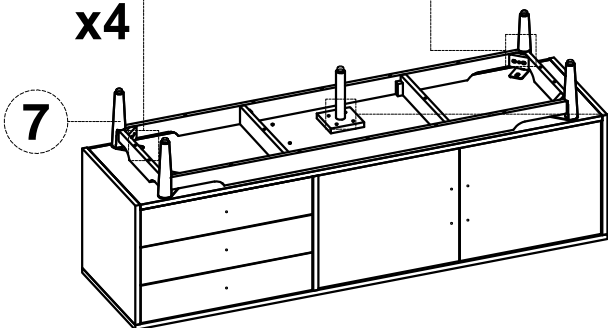
WOOD LEG ATTACHMENT



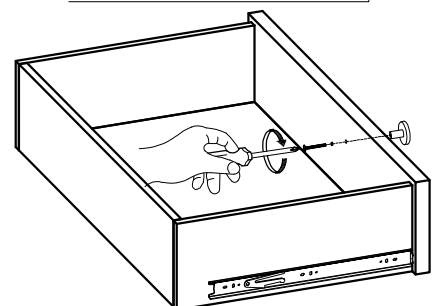
x4



CONSOLE HARDWARE KIT 2478-67P01				
No.		Description		Q'ty
A		Bolt	M6x50	4 Pcs
B		Bolt	M6x15	4 Pcs
C		Lock washer	M8	8 Pcs
D		Flat washer	M8x18	8 Pcs
E		Allen key	K4	1 Pc



Screwdriver not included



PLEASE NOTE:

To help prevent the possibility of tip-over, install the ANTI-TIP OVER restraint provided.