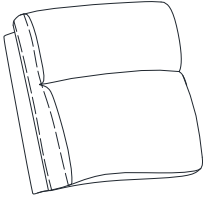
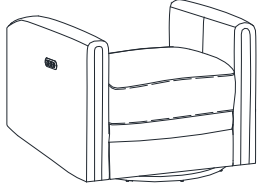
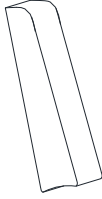
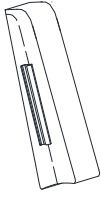
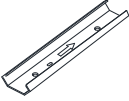
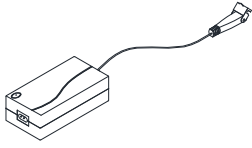





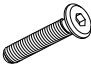
PARTS LIST

A X1  Back	B X1  Seat	C X1  Left Wing	D X1  Right Wing
E X2  Metal Brackets	F X1  Power Pack	G X1  Power Line	

HARDWARE LIST

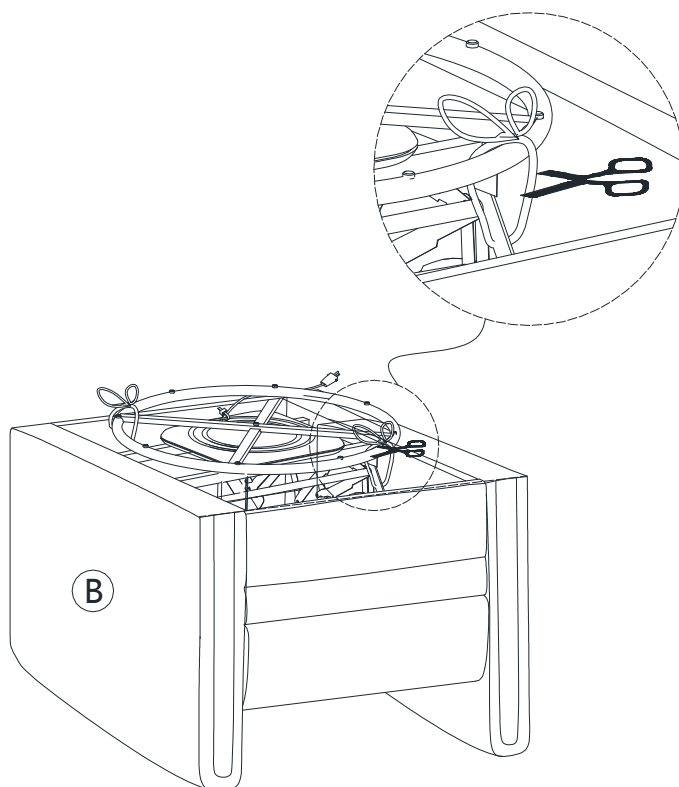
① X4  Blot 1/4*20MM	② X1  1/4 Allen Key
---	---

SPARE

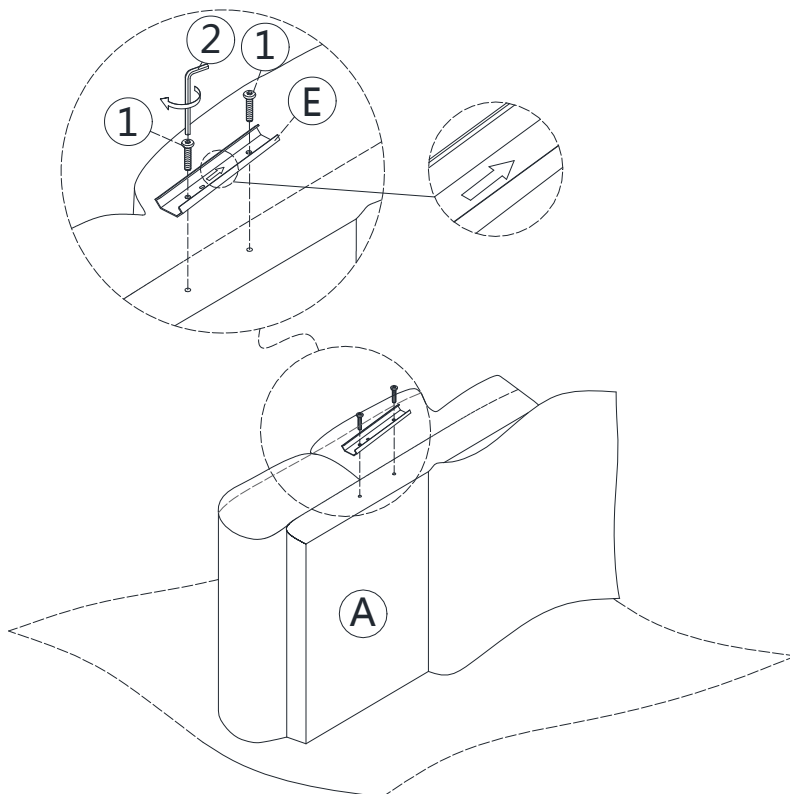
① X1  Blot 1/4*20MM
--

Be sure to check all packing material carefully for small parts, which may have come loose inside the carton during shipment.

STEP 1

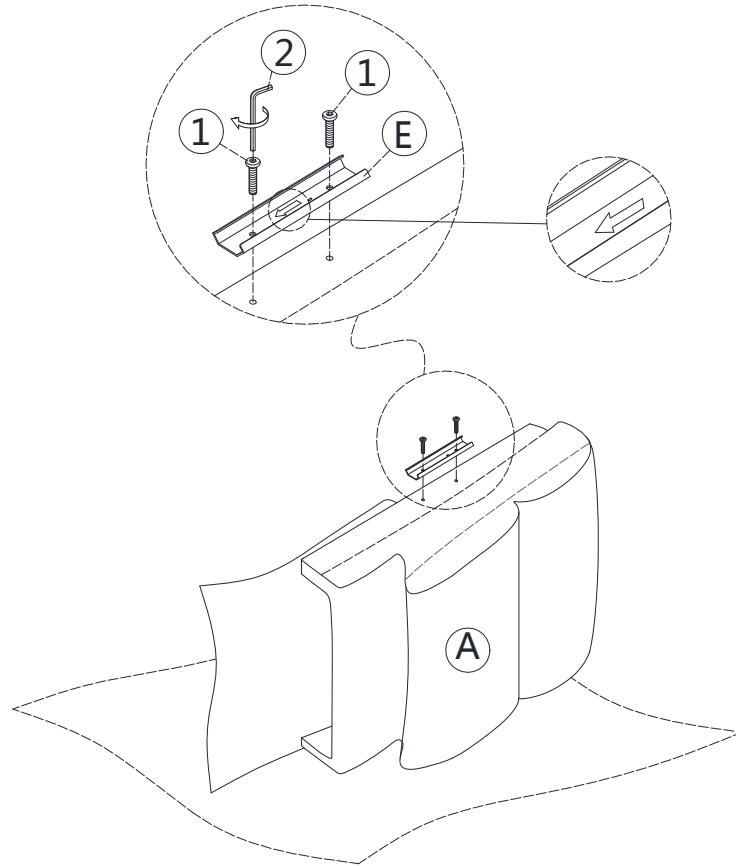


STEP 2



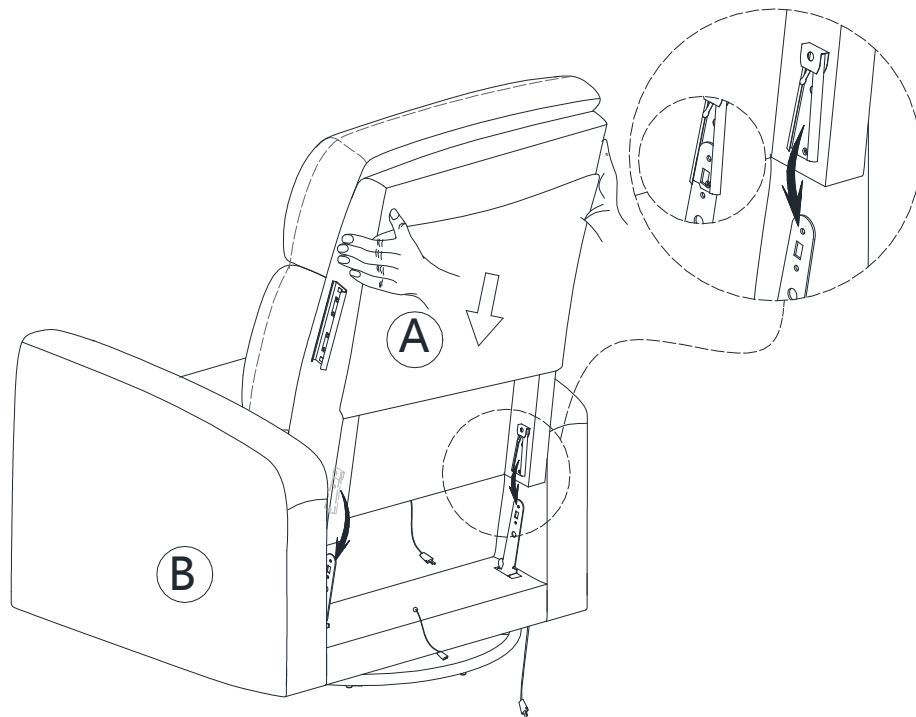
Be sure the blot (1) goes through the correct hole in the metal brackets (E).

STEP 3



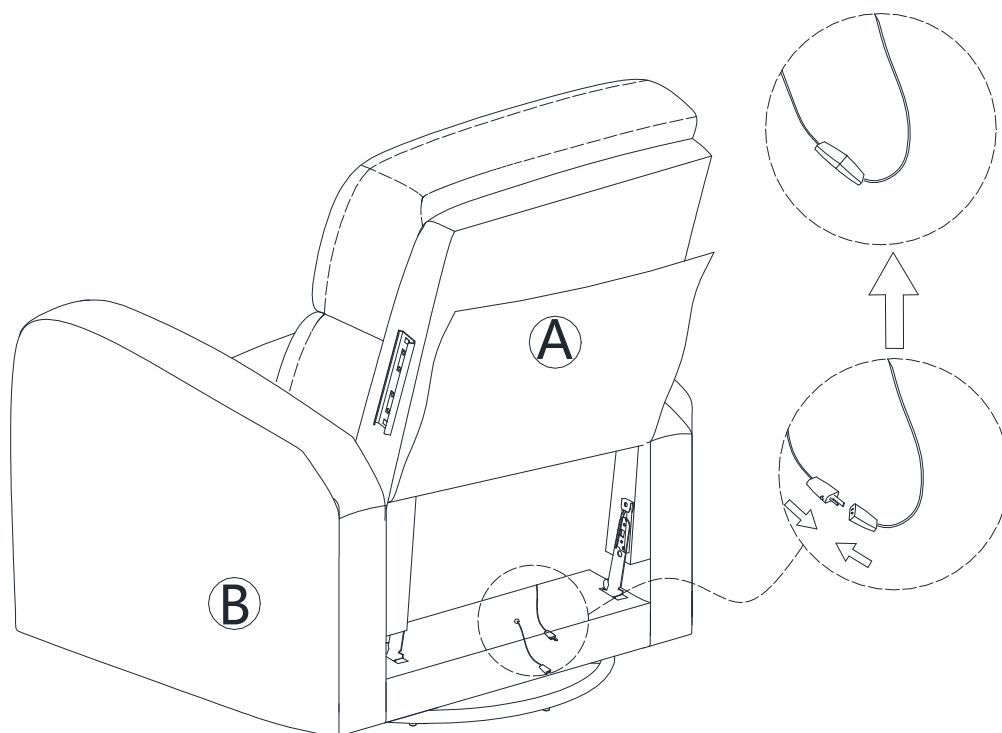
Be sure the bolt (1) goes through the correct hole in the metal brackets (E).

STEP 4

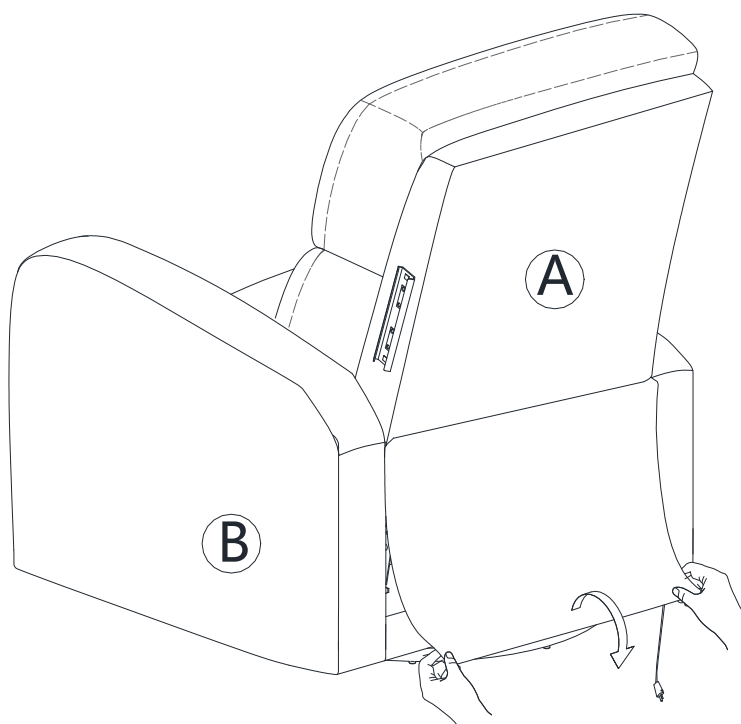


Attach the back (A) to the seat (B) as shown. Make sure the male and female brackets align as shown.

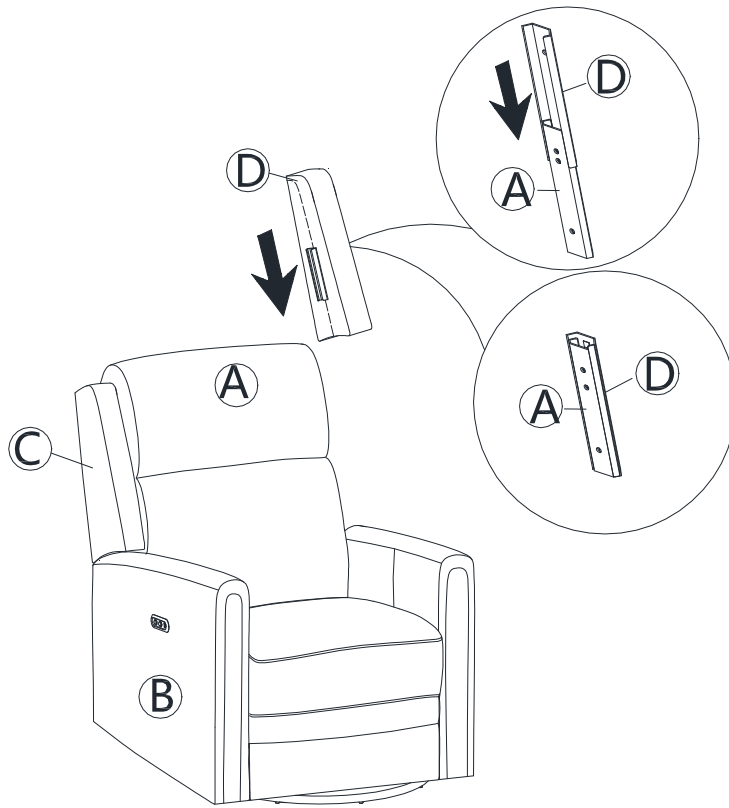
STEP 5



STEP 6

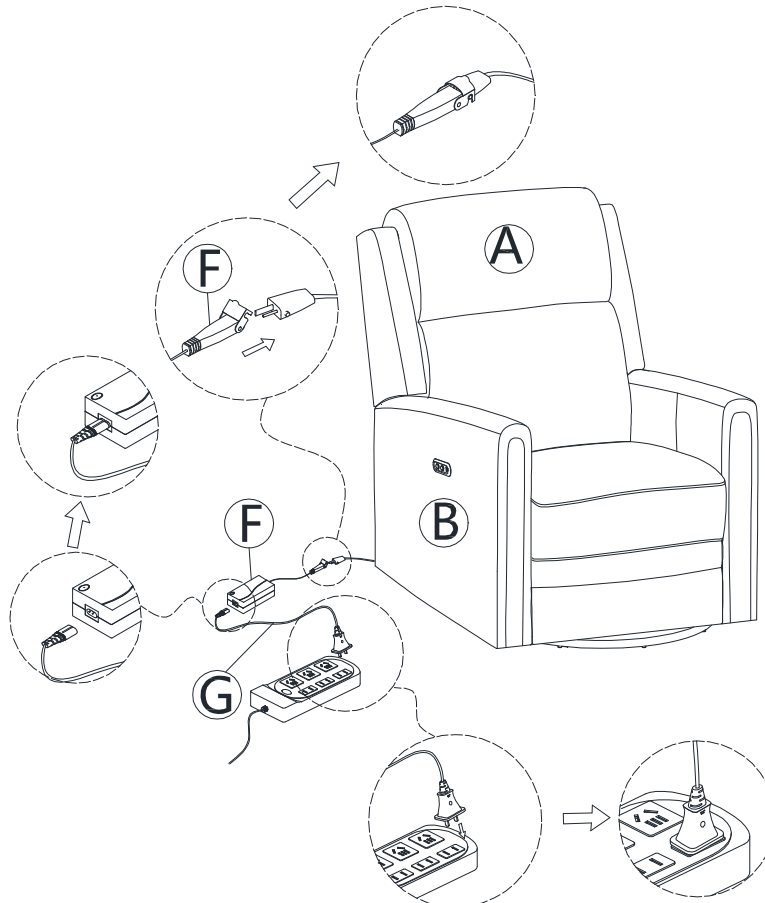


STEP 7

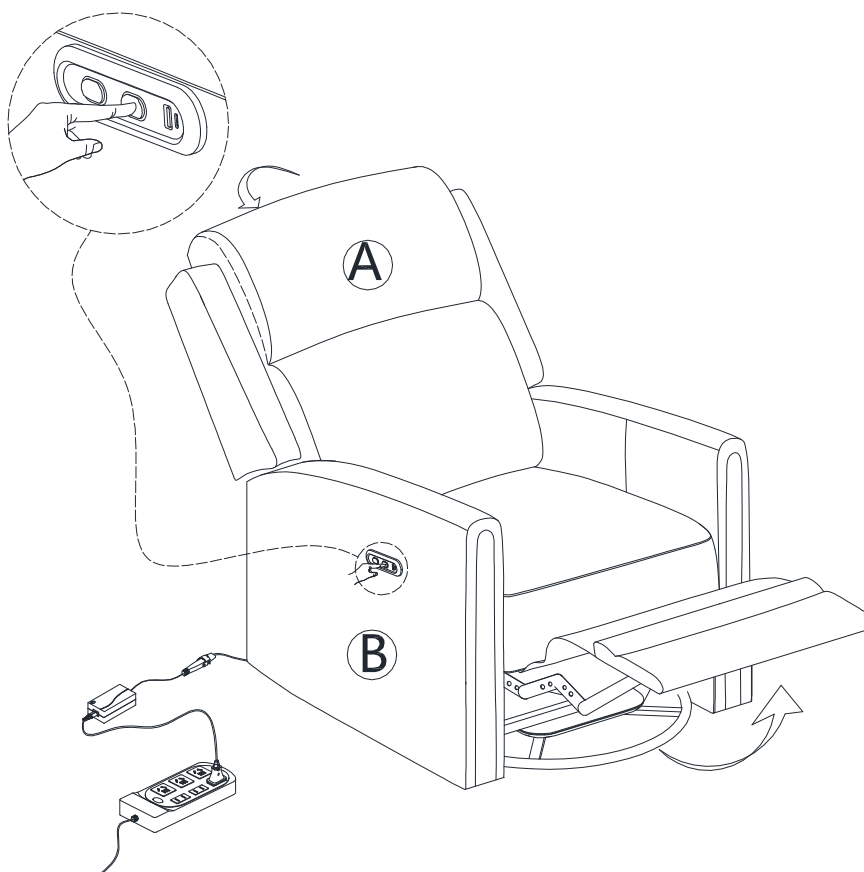


Attach the back wing (C) (D) to the back as shown. Make sure the male and female brackets align as shown, and then press down the back wing (C) (D) to the back .

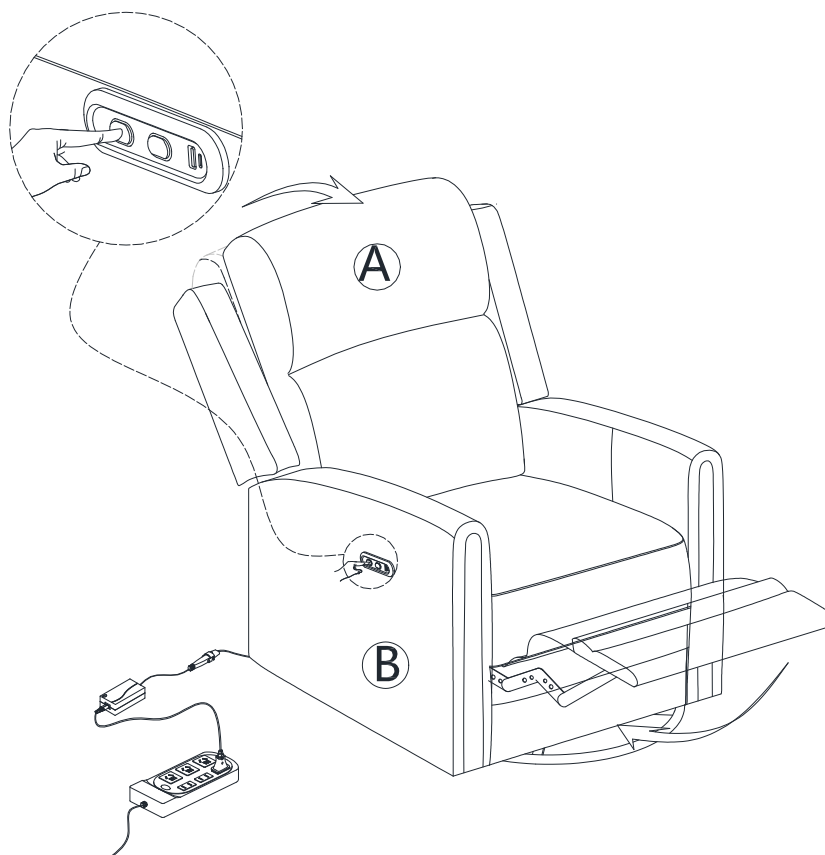
STEP 8



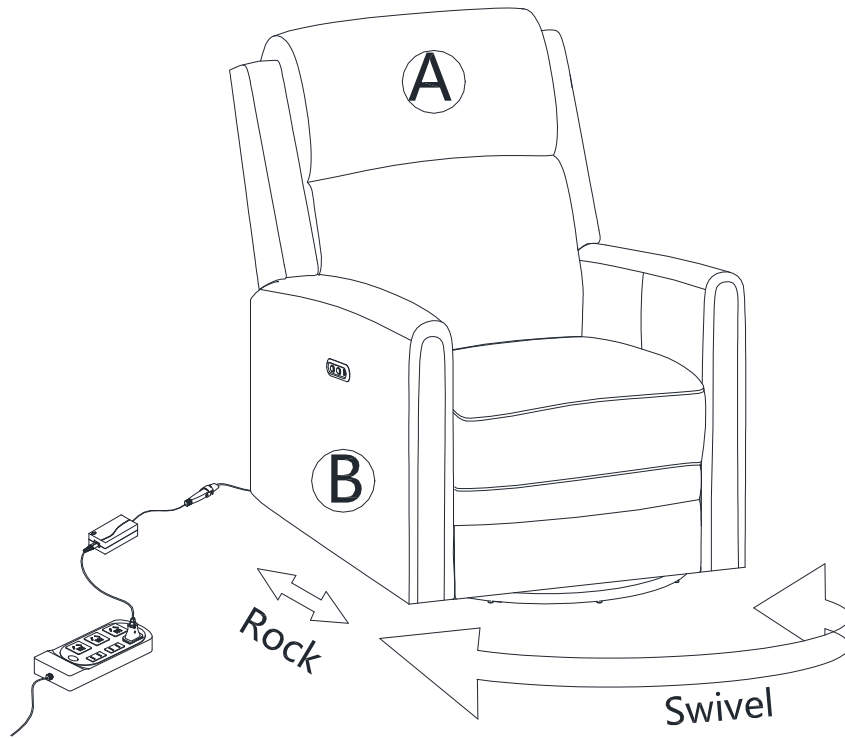
STEP 9



STEP 10

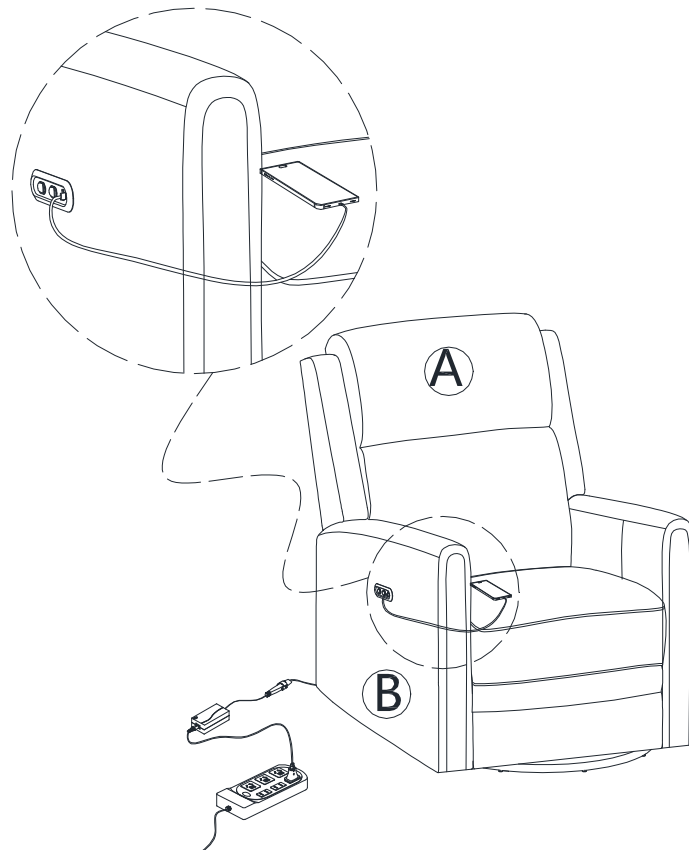


STEP 11

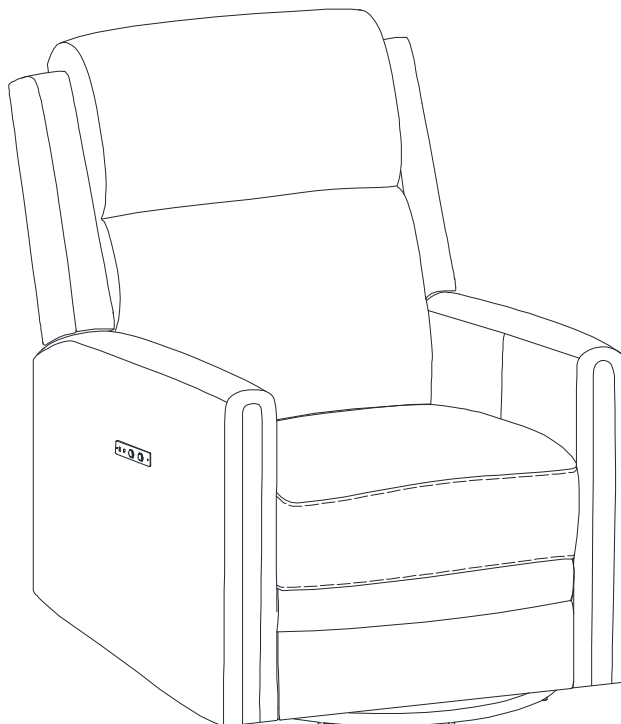


STEP 12

Charge



STEP 13



MAINTENANCE AND WARNING

- Keep furniture away from heat.
- Do not clean furniture with harsh cleansers or polish. Do not use detergents, Solvents, abrasives, spray packs or leather cleaner. Use non-color mild soap with warm water clean spills(Mix 1:10 soap to water)
- Do not place furniture under direct sunlight, material will possibly fade over time.
- Do not use on site dry Cleaning machine.
- Children should not climb or jump on the furniture.
- Do not write on furniture without a padded barrier to protect the surface.
- Not for commercial use, For residential use only.
- The maximum load is **330 LBS**.

WARRANTY

We strive to offer high-quality products, and we also try our best to satisfy each and every customer that orders from us with product or service as needed. We provide 30 days warranty starting from the time you receive the item. Each customer must provide a record of their order such as the order number, or item receipt for any items that are out of the warranty period you may also still receive replacement parts by purchasing them with our company if they are available.

Are you having difficulty with assembly? Missing parts? Please send email with your order No

For return, please check the return policy with the retailer or market place you bought from.

Appreciate your purchasing from us. Pop up your life by our furniture piece!