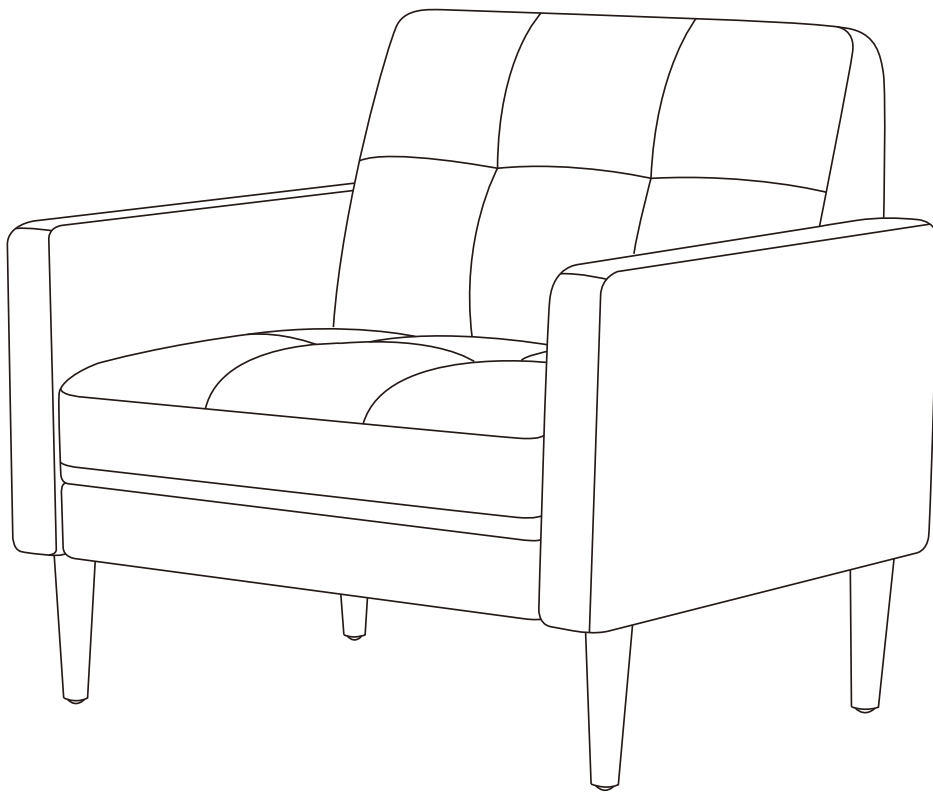


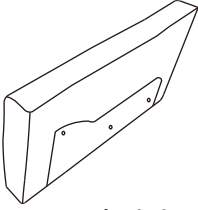
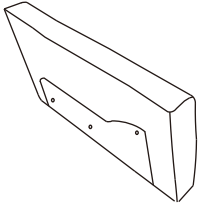
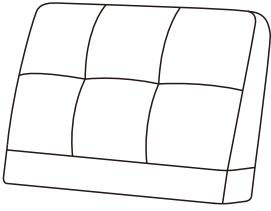
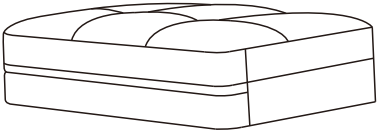
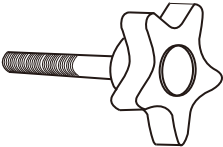
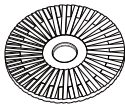
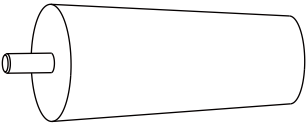
# Assembly Manual for Chair



**▲ CAUTION**

THIS ASSEMBLY MANUAL CONTAINS IMPORTANT SAFETY INFORMATION.

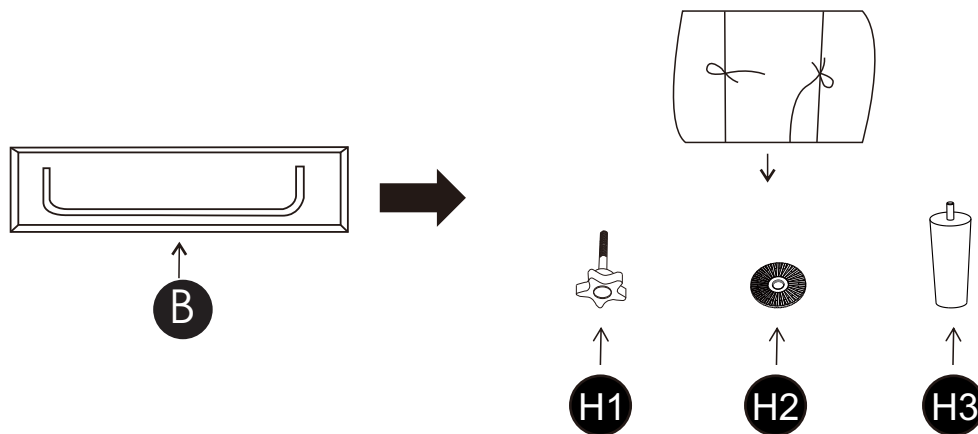
PLEASE READ AND KEEP FOR FUTURE REFERENCE.

<p>R×1</p>  <p>Right Facing Arm</p>	<p>L×1</p>  <p>Left Facing Arm</p>
<p>B×1</p>  <p>Back Cushion</p>	<p>S×1</p>  <p>Seat Cushion</p>
<p>H1×8</p>  <p>Thumb Screw</p>	<p>H2×4</p>  <p>Washer</p>
<p>H3×4</p>  <p>Wood Leg</p>	

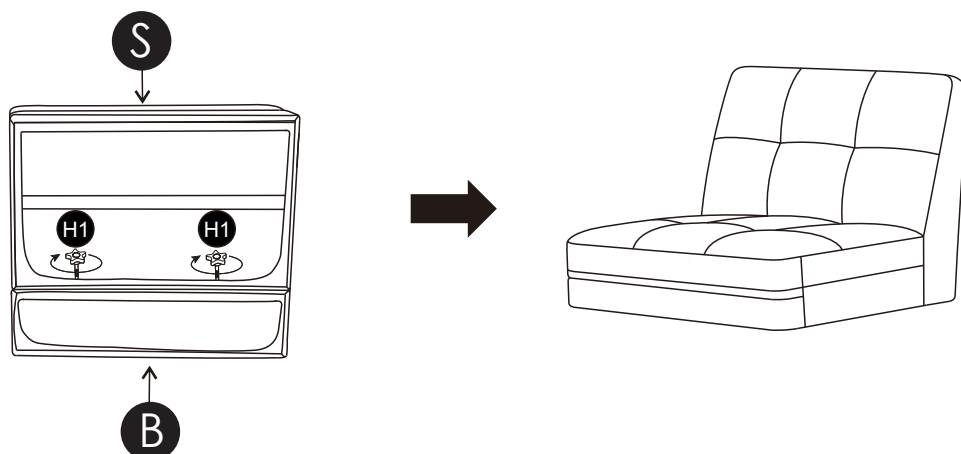
Please read through the instructions below to familiarize yourself with the parts and steps before assembly.

## ASSEMBLY INSTRUCTIONS

- 1 Please lay all parts on a soft and smooth surface to assemble. Unzip and remove the hardware and legs from the bottom pocket of back cushion (B).

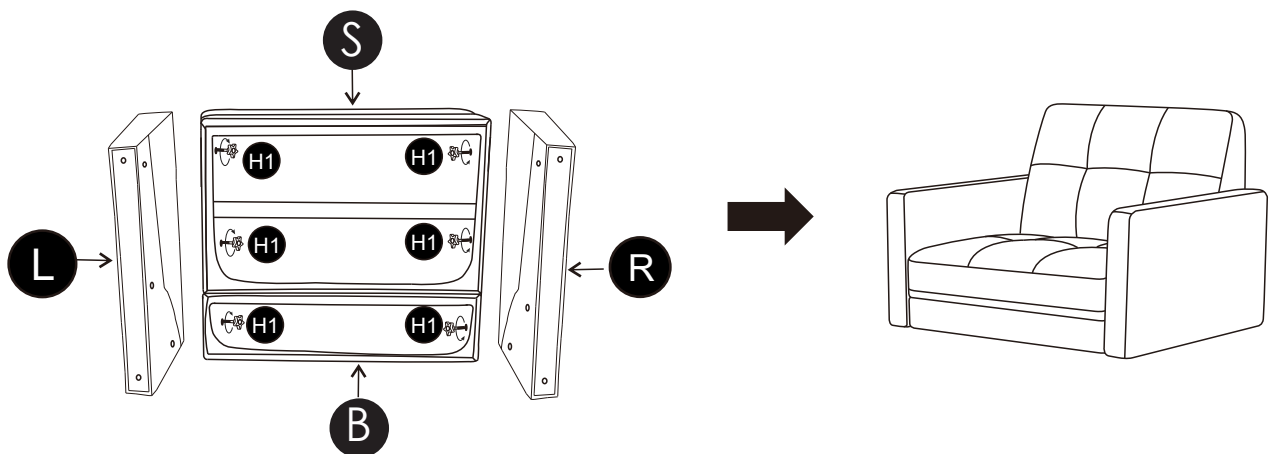


- 2 Place the backrest of back cushion (B) on the floor, with black fabric facing you. Attach seat cushion (S) to back cushion (B), using thumb screws (H1). **Loosely attach the thumb screws to get the alignment right, rather than fully tightening one before the other. After all thumb screws are aligned, fully tighten.**

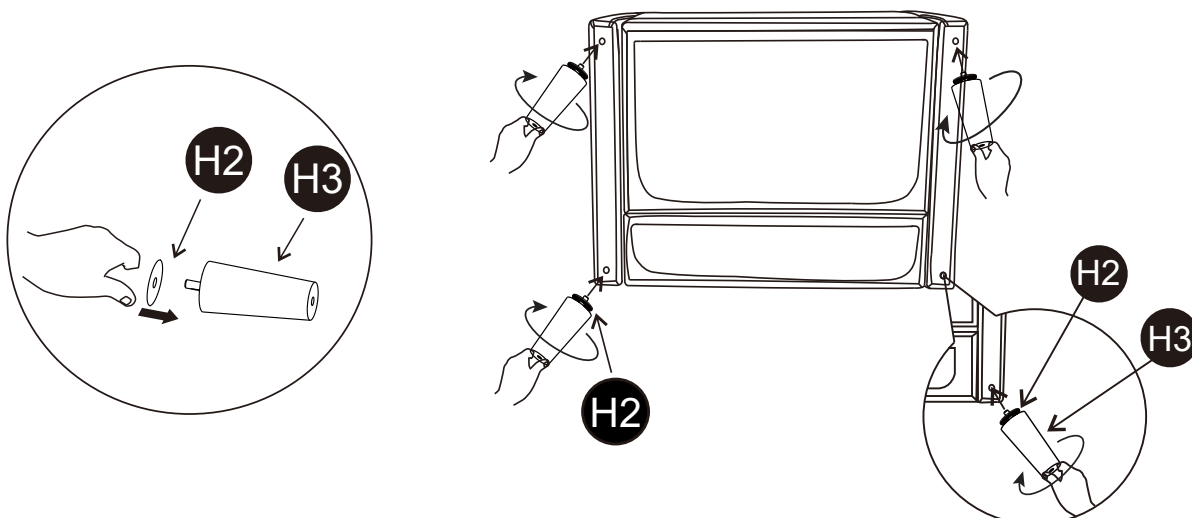


## ASSEMBLY INSTRUCTIONS

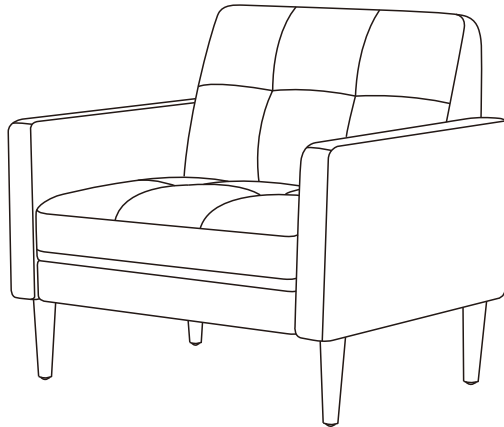
- 3** Attach left/right facing arm (L1/R1) to the assembled seat module in Step 2, using thumb screws (H1). **Please start with bottom thumb screws and move upward. Loosely attach the thumb screws to get the alignment right, rather than fully tightening one before the other. After all thumb screws are aligned, fully tighten all thumb screws.**



- 4** Slide washer (H2) into the stud of wood leg (H3). Then attach the wood leg to the bottom of left and right arms. Fully tighten.



- 5** Gently place the chair in the upright position. It's best to have two people lift the chair - one at each end - and place it on its legs. Assembly complete. Enjoy.



Congratulations. We hope you enjoy your new piece of furniture.