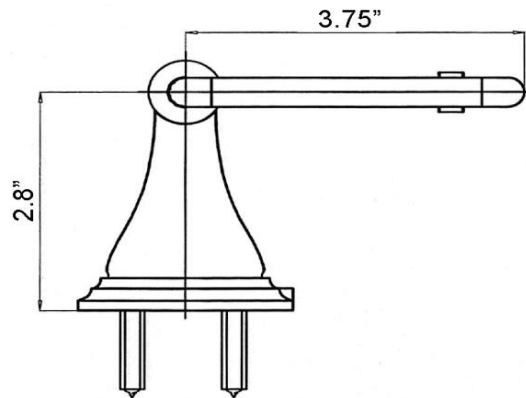
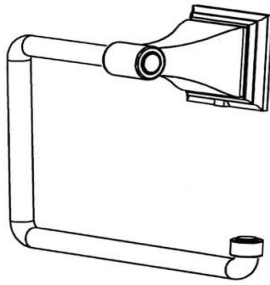


TECHNICAL DATA

#BA17 Series Tissue Paper Holder



Specifications :

- * Tissue Paper Bar ~ Material : Aluminum or Steel
~ Finish : SN - Aluminum by Anodization
: ORB - Steel by Electroplating
- * Mounting Bracket ~ Material : Zinc alloy
~ Finish : SN / ORB - By electro-plating
- * Mounting Hardware Included
: #10 x 1" Panhead Zinc-plated Steel Mounting Screws x 2 pcs
: Plastic anchor x 2 pcs



Arista Bathroom Accessories

WT International Inc.

555 NORTHLAND DRIVE N.E., BLDG C, ROCKFORD, MI 49341, USA

sales@aristabath.com



Design & Quality Defined™

www.aristabath.com