

BEFORE YOU START

Things You Need To Know

Number of people required to assemble

Two people are required to assemble this item



Time to assemble



Guidelines

**FAILURE TO FOLLOW THESE WARNINGS
WHEN IN USE COULD RESULT IN INJURY**

DO



- We suggest you spend a short time reading through the leaflet before you start
- When you are ready to start, make sure that you have the right tools, plenty of space and a clean, dry area for assembly.
- Unwrap all packing materials and place the components on a clean surface to protect them from damage. We recommend using the product packaging to protect your floor during assembly.
- Carefully check that you have all the parts before beginning assembly.
- Due to the size of this product, we recommend assembly in the room intended for use.
- Make sure the product is fully assembled as illustrated and that all connections are fully tightened before use.
- Wipe occasionally with a soft, damp cloth then buff dry with a soft clean dry cloth.
- The wood will mellow and change color over time. As a result, we recommend that ornaments and items placed on the surface are moved regularly for the first few months to prevent an uneven mellowing.
- Check all bolts and screws every 90 days. As necessary tighten if any are loose.
- Keep small parts and pieces away from children and pets until fully assembled.

DON'T

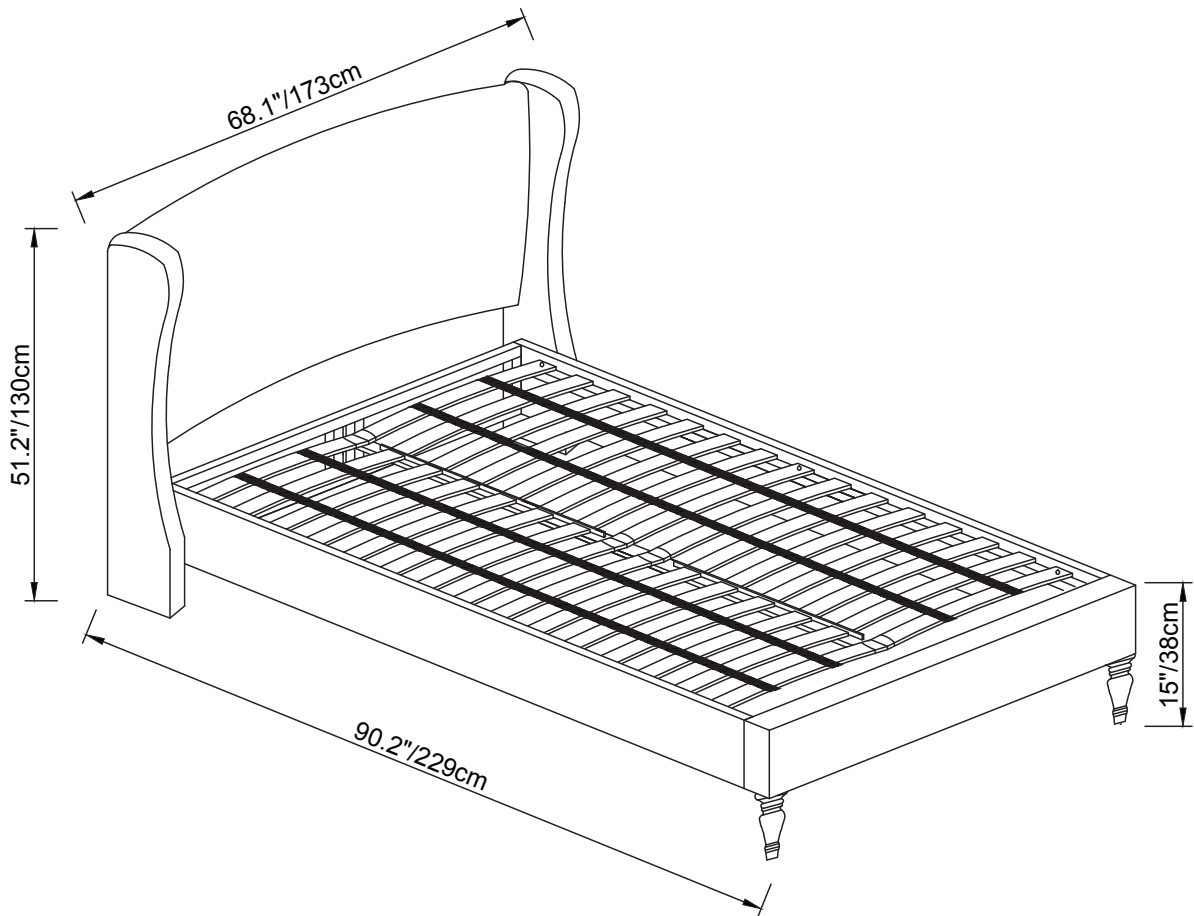


- Do not drag or pull your furniture.
- Do not rub or scrub the surface when cleaning.
- Do not use silicone based furniture polish. Silicone in furniture polishes can break down the finish.
- Never allow any kind of liquid to remain on your furniture. Absorption can cause wood to warp or finishes to de-laminate.
- Do not place hot items (e.g. hot drinks) directly on to the wood surface. Please make sure you use a placement or coaster.
- Do not stand on the item or use as a step ladder.
- **WARNING: DO NOT LET CHILDREN PLAY IN OR AROUND THE UNIT DUE TO THE POSSIBLE RISK OF INJURY.**

Queen Bed

Product Dimension

Actual product size
51.2" (130cm) Height x 68.1" (173cm) Width x 90.2" (229cm) Diameter

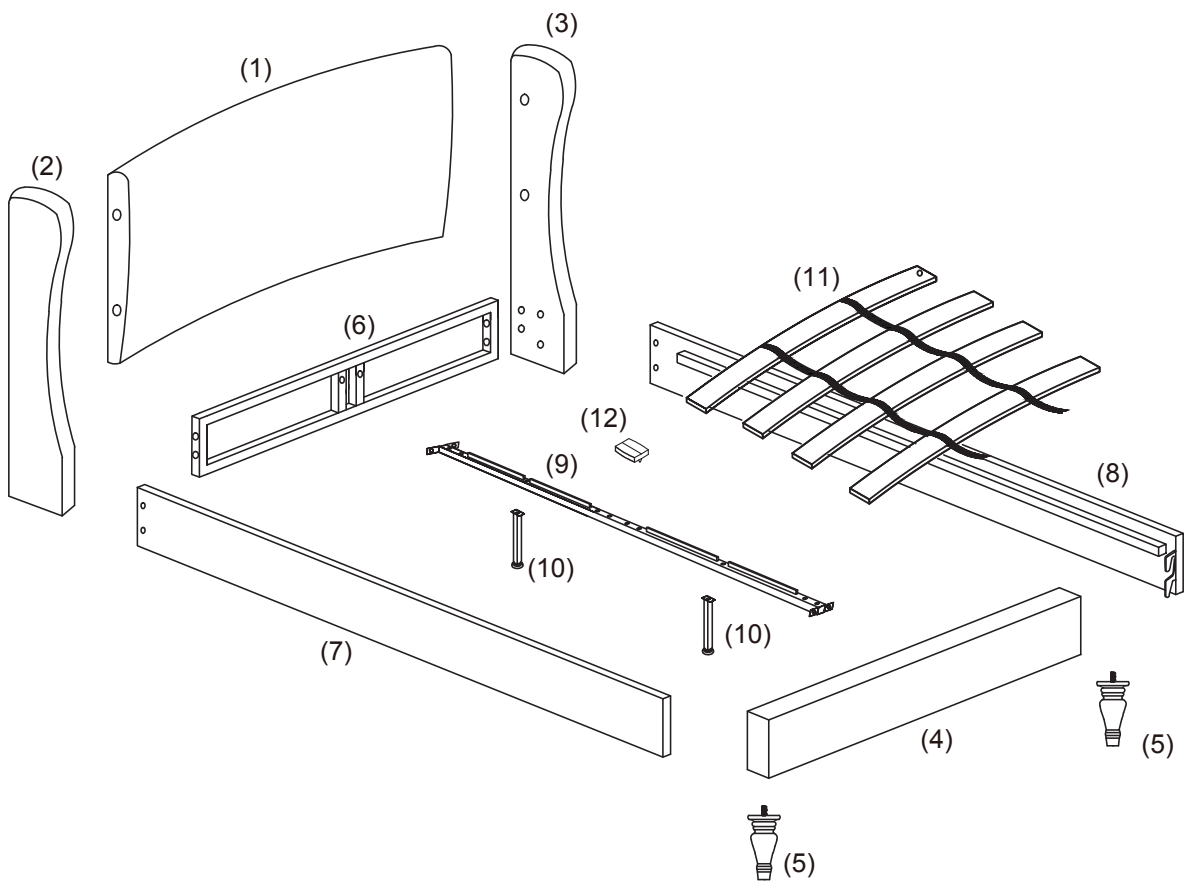


IMPORTANT-RETAIN FOR FUTURE REFERENCE

To speak to a customer
servicerepresentative,
please call toll free.

Queen Bed

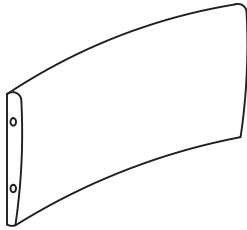
Getting To Know Your Product



Queen Bed

Things You Need To Know

Components supplied. Please use this guide if you require replacement parts.
Fixtures and fittings supplied (not to scale)



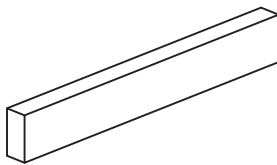
① Headboard
64x27.4x4.3in x 1pc



② Wing (left)
49.2x9.6x2.2in x 1pc



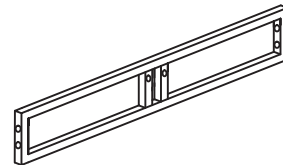
③ Wing (right)
49.2x9.6x2.2in x 1pc



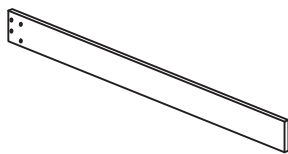
④ Footboard
64x7.9x2.2in x 1pc



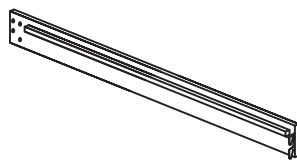
⑤ Legs
7.1 x2.2in x 2pcs



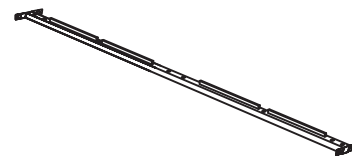
⑥ Metal Frame Under Headboard
61.2 x5.5x1in x 1pc



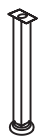
⑦ Side Rail(left)
82.7x7.9x1.2in x 1pc



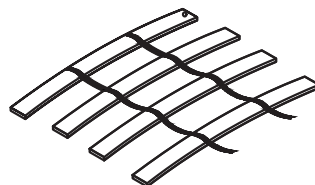
⑧ Side Rail(right)
82.7x7.9x1.2in x 1pc



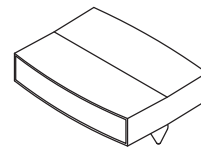
⑨ Center Support Bar
81.5x1.6x0.8in x 1pc



⑩ Support Legs
7.5x1x1in x 2pcs



⑪ Slats
30.5x5.9x3.9in x 2pcs

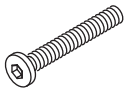


⑫ Double Plastic Caps x 3pcs

Queen Bed

Things You Need To Know

Components supplied. Please use this guide if you require replacement parts.
Fixtures and fittings supplied (not to scale)



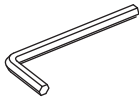
Ⓐ Bolts M8x30mm x 6pcs



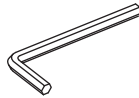
Ⓑ Spring Washer
M8x12 x 16pcs



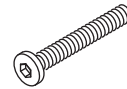
Ⓒ Flat Washer
M8x20mm x 16pcs



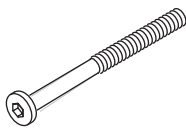
Ⓓ Allen Key M8 x 1pc



Ⓔ Allen Key M6 x 1pc



Ⓕ Bolts M8x50mm x 10pcs



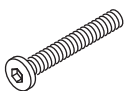
Ⓖ Bolts M8x70mm x 4pcs



Ⓖ Nuts M8 x 2pcs



Ⓖ Wrench M8 x 1pc



Ⓖ Bolts M6x30mm x 2pcs



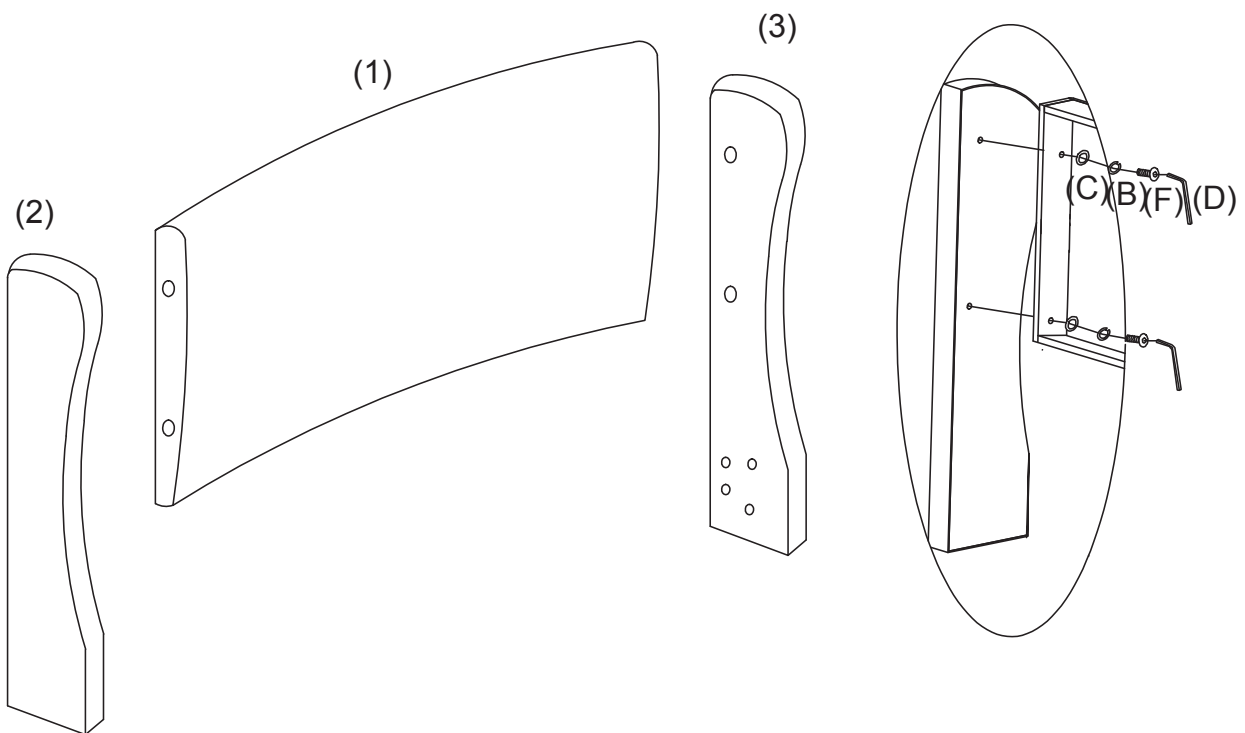
Ⓖ Slat Locking Cap
M6x20mm x 6pcs

Queen Bed

Assembly Instructions

1 STEP

1. Remove all parts from the carton and place them on a protected surface or carpet.
2. Make sure all parts and hardware match the Parts List.
3. Attach the Left Wing (2) and Right Wing (3) to the back of the Headboard (1) with M8x50mm Bolts (F), Spring Washers (B) and M8x30mm Flat Washers (C). Tighten by hand using the. M8 Allen Key (D).

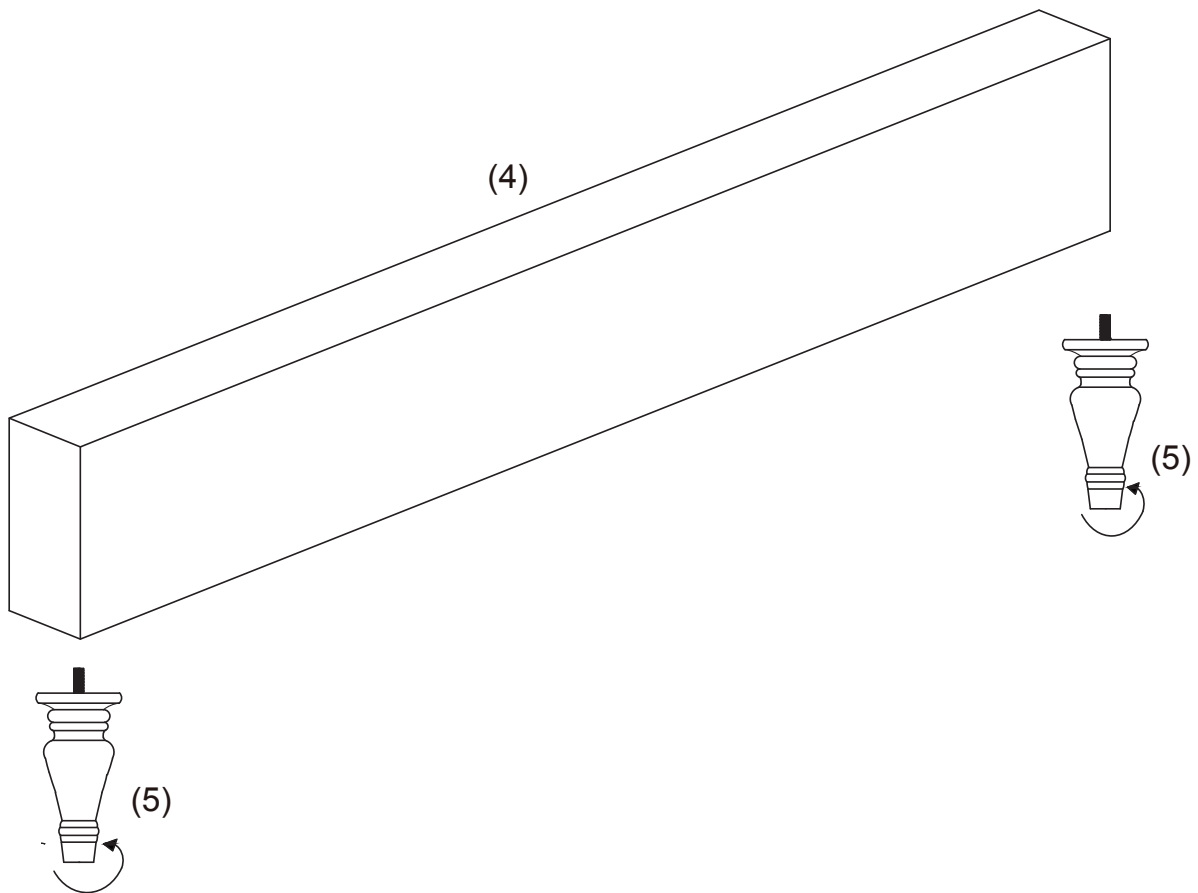


Queen Bed

Assembly Instructions

2
STEP

Attach the Legs (5) to the Footboard (4) and tighten by hand.



Queen Bed

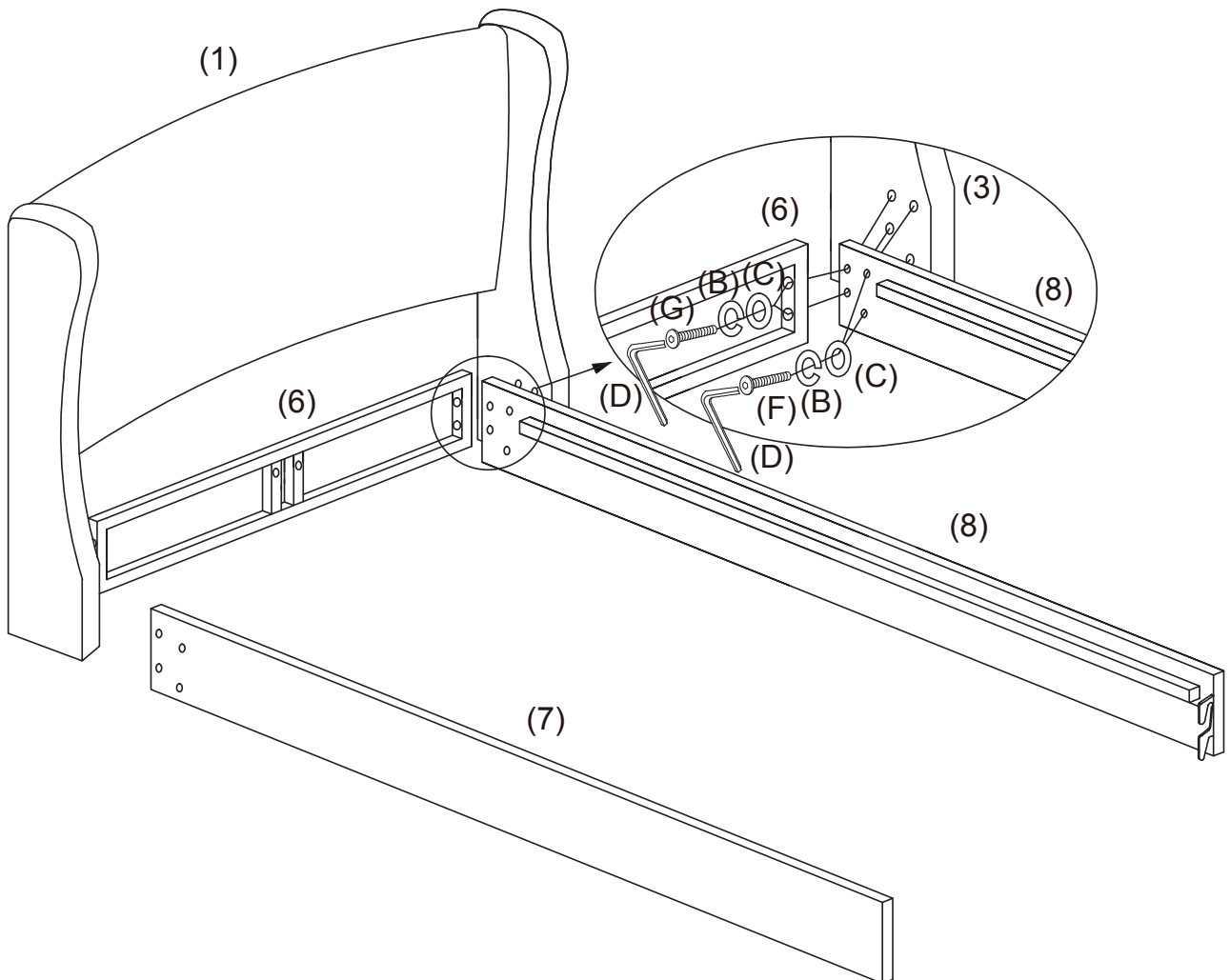
Assembly Instructions

3

STEP

1. Connect the Left Side Rail (7) to the Right Wing (3) and the Right Side Rail (8) to the Left Wing (2) using the m8x50mm Bolts (F), Spring Washers (B) and M8x20mm Flat Washers (C). Tighten using the M8 Allen Key (D) but do not tighten the M8x50mm Bolt (F) until the side rail assembly is complete.

2. Connect Metal Frame Under Headboard (6) to Side Rails (7) & (8), then fix it with Bolts (G) / M8 x70MM, Spring Washers (B) and Flat Washers (C) to Wing (2) & (3), then tighten all Bolt (F & G) with Allen Key (D) as below image.



Queen Bed

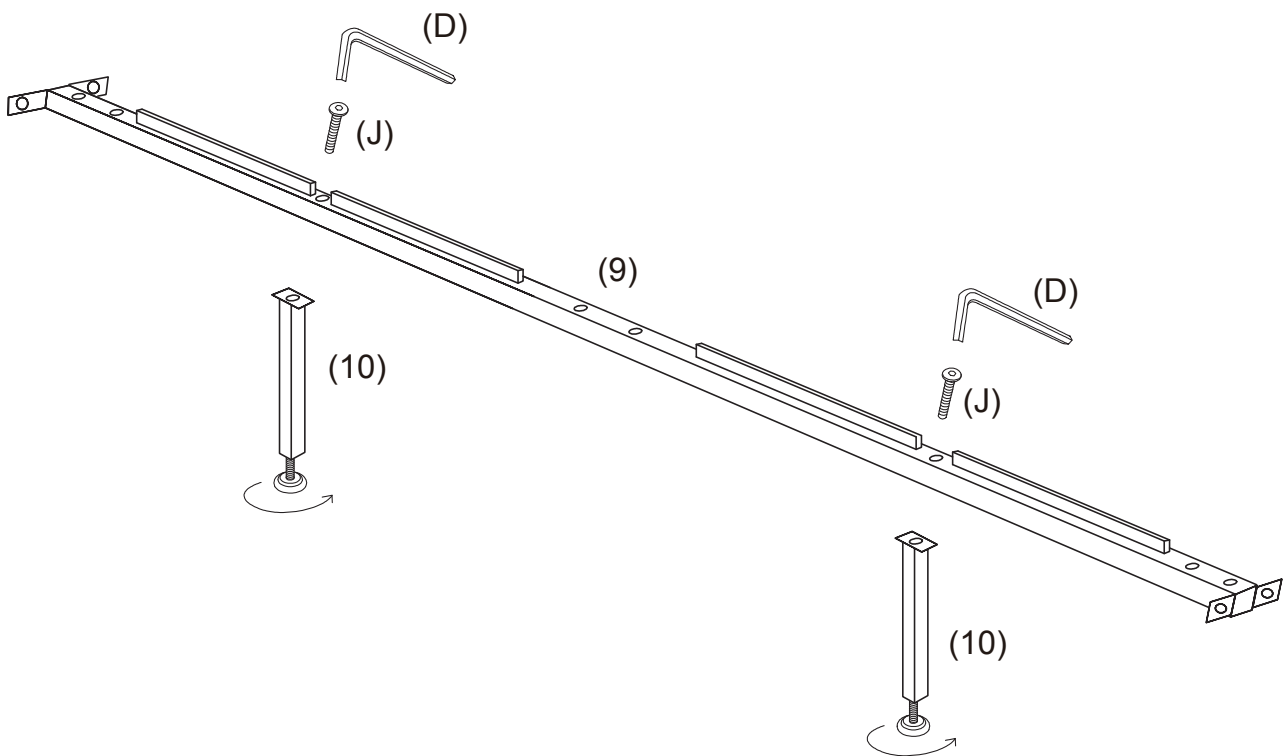
Assembly Instructions

4

STEP

1. Connect the Support Legs (10) to the Center Bar (9) with M6x30mm Bolts (J) and tighten with the M8 Allen Key (D).

2. After installing the Support Legs (9), adjust the leveler to your preferred height.



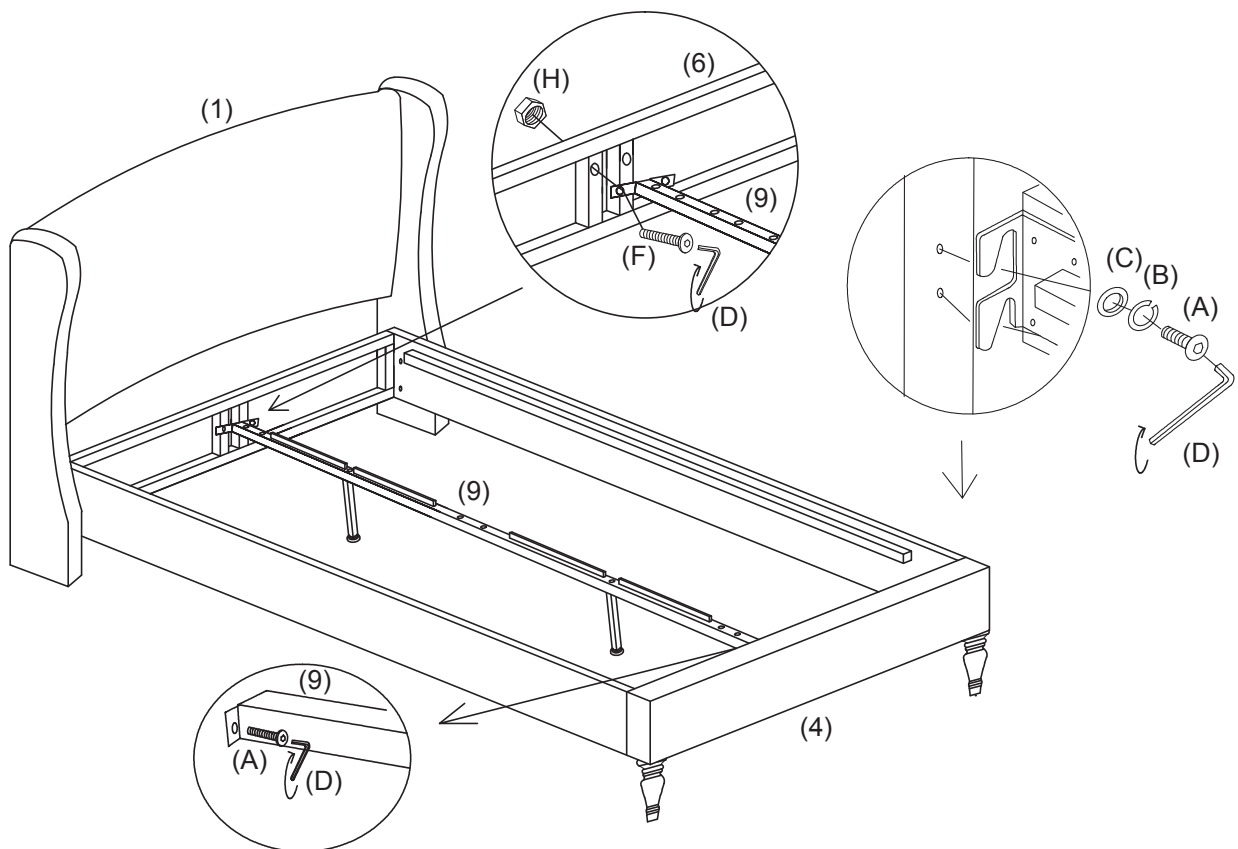
Queen Bed

Assembly Instructions

5

STEP

1. Connect the Side Rails (7) and (8) to the Footboard (4) using M8x30mm Bolts (A), Spring Washers (B) and M8x20mm Flat Washers (C). Tighten using the M8 Allen Key (D).
2. Connect the Center Support Bar (9) to the Metal Frame Under Headboard (6) using M8x50mm Bolts (F) and an M8 Nut (H). Tighten with the M8 Allen Key (D).
3. Connect the Center Support Bar (9) to the Footboard (4) using M8x30mm Bolts (A). Tighten with the M8 Allen Key (D).



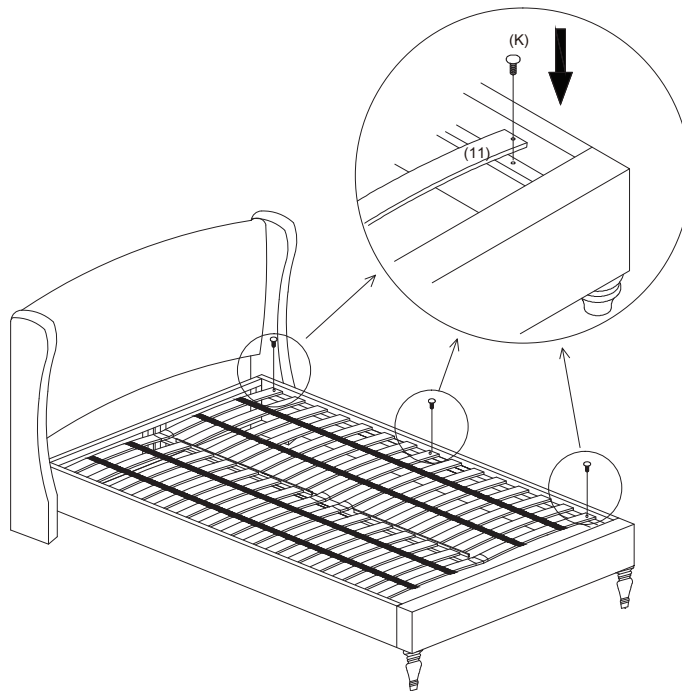
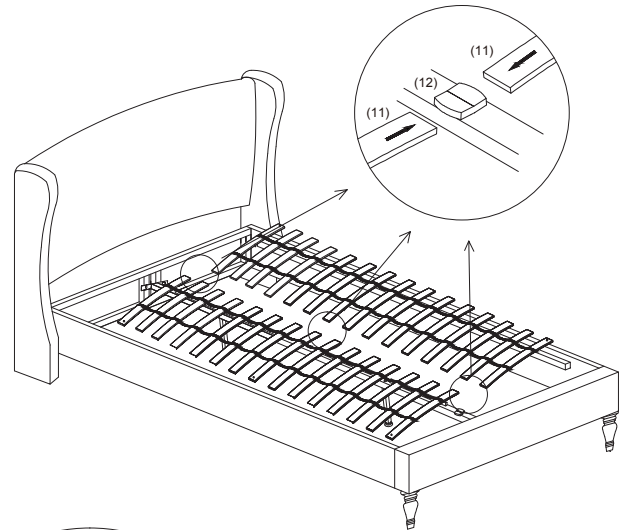
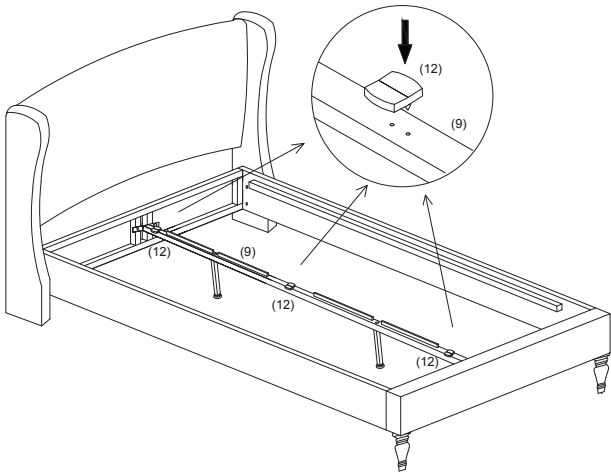
Queen Bed

Assembly Instructions

6

STEP

1. Place the Double Plastic Caps (12) on the Central Rail (9) as shown below.
2. Lay the Slats (11) in two rows across the base of the bed. The slats must be convex side up with the ribbon on the underside. The assembly hole on the slat end must be on the outside position. Next, insert the end of the slat into the Plastic Cap (12).
3. Place the Plastic Pin (K) on the slats to the Side Rail (7) and (8) as shown below.

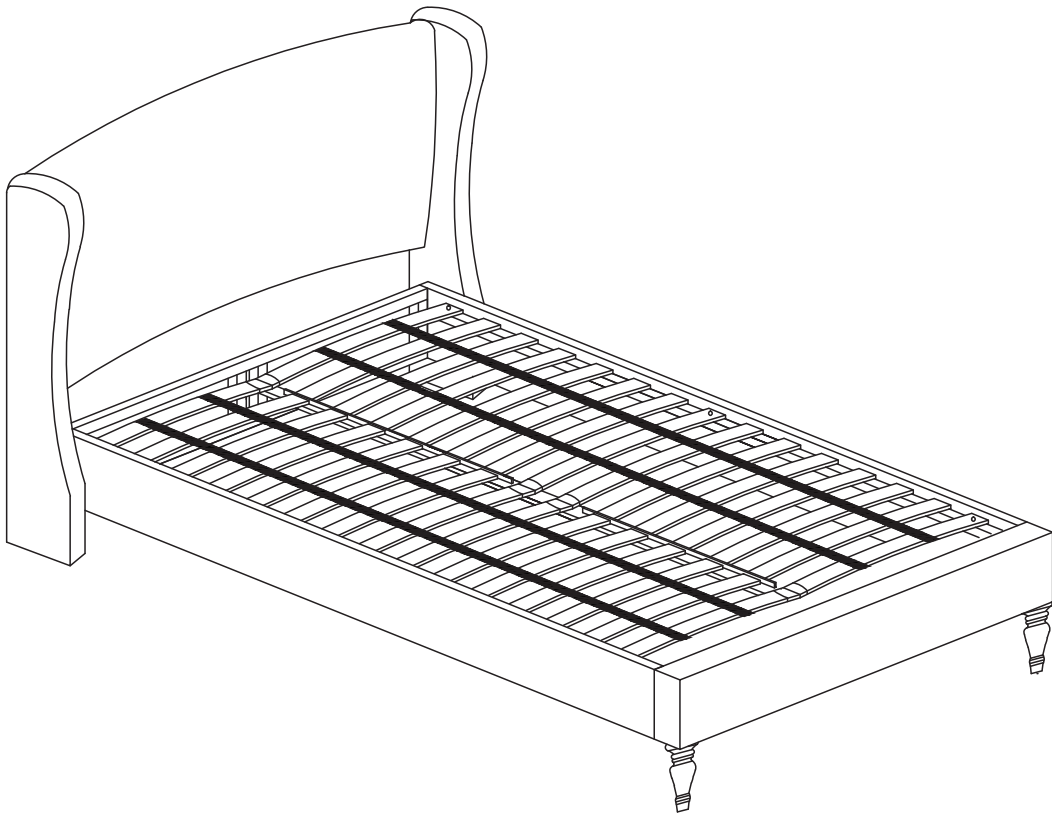


Queen Bed

Assembly Instructions

7
STEP

With the bed on a flat, level surface, make sure the bed is level and then fully tighten all of the Bolts (A) using the M8 Allen Key (D).



You should routinely check (every 90 days) the bolts to make sure they are fully tightened.
ATTENTION: Make sure the bolts are tightened before using the bed.

Limited Warranty

The product you have purchased is warranted against defects in material and workmanship while owned by the "Original Purchaser." The term "Original Purchaser" is defined as the party or entity that purchases these products from and authorized dealer or retailer as shown by the original sales receipt. The warranty does not apply to "as is" or previously owned products.

The manufacturer warrants its products to be free from defects in materials and workmanship (normal wear and tear, fading and stretching excepted), for one year from the date of purchase, except as provided below under the limited warranty.

This warranty gives you specific rights, and you may also have other rights, which vary from state to state (or country to country). All warranties are limited to the Original Purchaser for normal use by a maximum of two users. Total weight capacity per chair is 250 pounds for a single user.

The exceptions or exclusions to this warranty are:

- Upholstery material and foam cushion material is warranted against defects in material and workmanship for a period of one year, beginning on the date of purchase as shown on the original sales receipt.
- Any warranty claim that is submitted after the limited warranty period, or without proper proof of purchase will not include the cost of parts, labor, or delivery on the warranted parts within a reasonable amount of time. We reserve the right to require damaged parts to be returned to us upon request. Natural markings such as scars, brands, grain variations, wrinkles, color variations, etc. will be considered normal characteristics and not construed as defects.
- For claims or questions concerning this warranty, please contact the Customer Service Department on the web. Be prepared to provide your name, address, daytime phone number, the model and purchase order number of the product, date of purchase, and the store where it was purchased. The manufacturer requires that the original sales receipt be submitted with all requests to confirm that you are the Original Purchaser according to our written warranty.