

# *ASSEMBLY INSTRUCTIONS*



SOFA

# ASSEMBLY INSTRUCTIONS

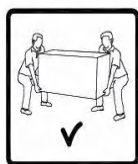
## ASSEMBLY TIPS:

1. Remove hardware from box and sort by size.
2. Please check to see that all hardware and parts are present prior to start of assembly.
3. Please follow attached instructions in the same sequence as numbered to assure fast & easy assembly.




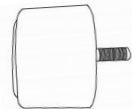
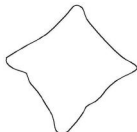
Warning!

1. Don't attempt to repair or modify parts that are broken or defective. Please contact the store immediately.



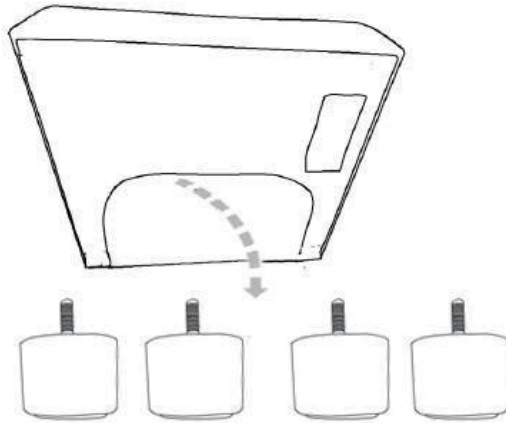
<b>ASSEMBLY TIME</b>	<b>3 MINUTES</b>
----------------------	------------------

## PARTS IDENTIFICATION

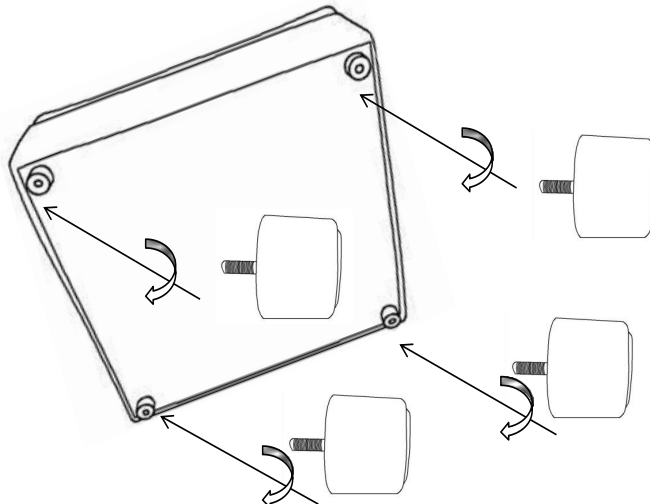
	PART NAME	FIGURE	QUANTITY
A	ARMLESS CHAIR		1PC
B	LEG		4PCS
C	PILLOW		1PC

# ASSEMBLY INSTRUCTIONS

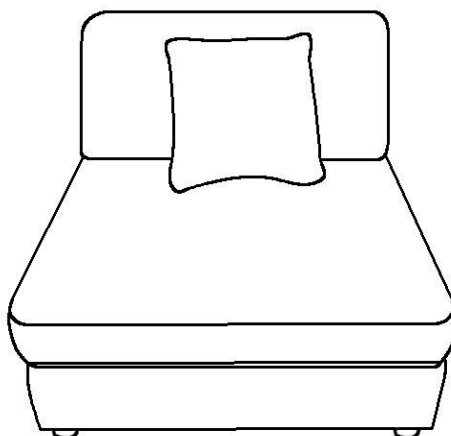
STEP 1



STEP 2




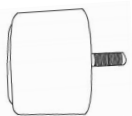
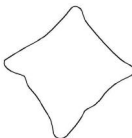
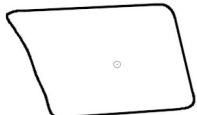
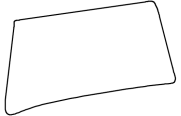
STEP 3



# ASSEMBLY INSTRUCTIONS

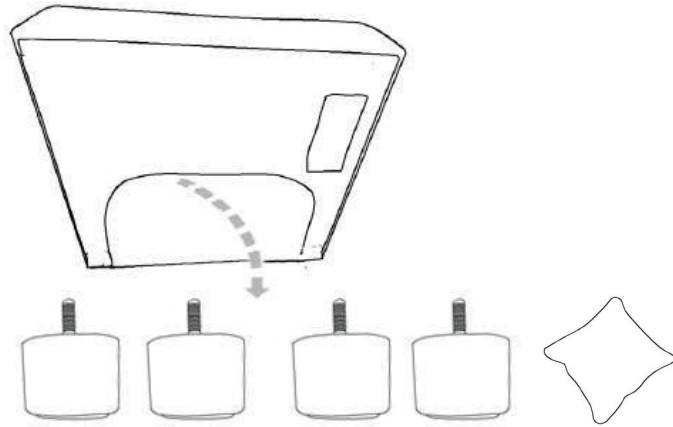
ASSEMBLY TIME	3 MINUTES
---------------	-----------

## PARTS IDENTIFICATION

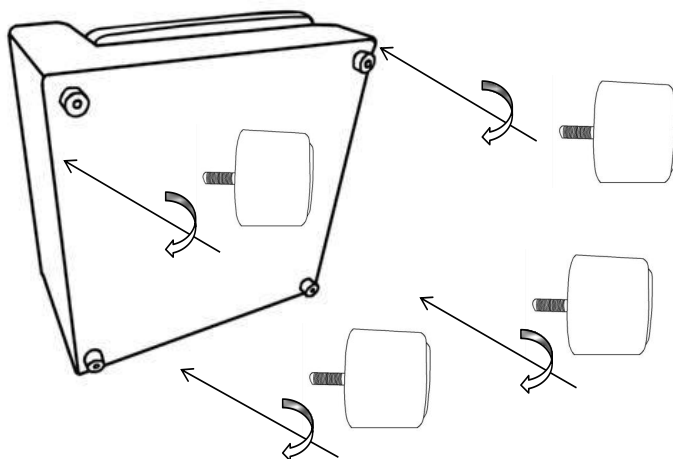
	PART NAME	FIGURE	QUANTITY
A	CORNER		1PC
B	LEG		4PCS
C	PILLOW		1PC
D	BACK CUSHION		2PCS
E	SEAT CUSHION		1PC

# ASSEMBLY INSTRUCTIONS

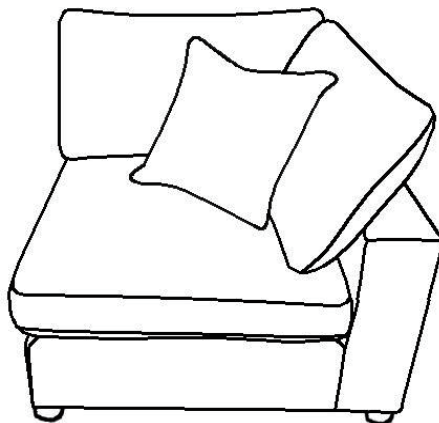
STEP 1



STEP 2



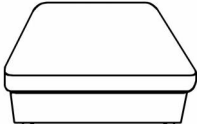

STEP 3



# ASSEMBLY INSTRUCTIONS

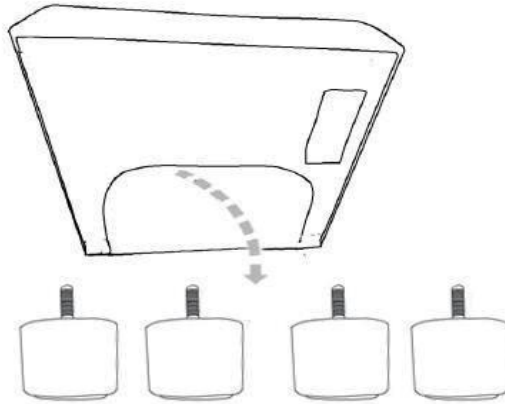
ASSEMBLY TIME	3 MINUTES
---------------	-----------

## PARTS IDENTIFICATION

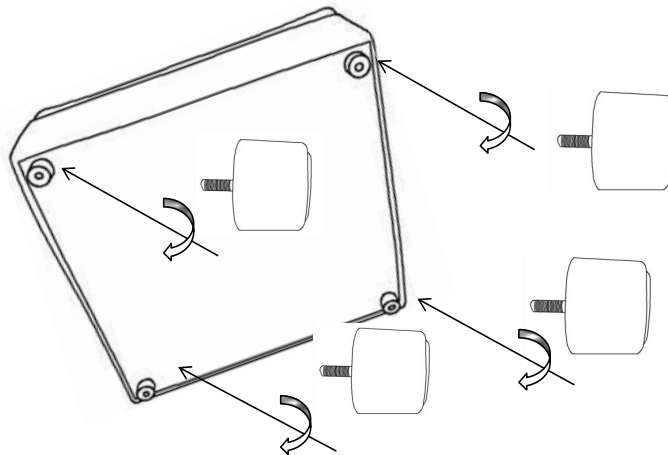
	PART NAME	FIGURE	QUANTITY
A	OTTOMAN		1PC
B	LEG		4PCS

# ASSEMBLY INSTRUCTIONS

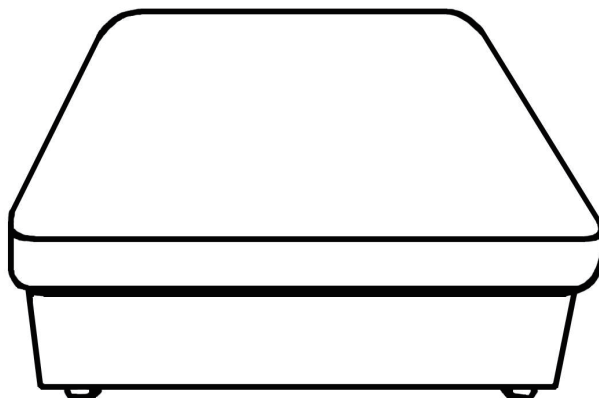
STEP 1



STEP 2

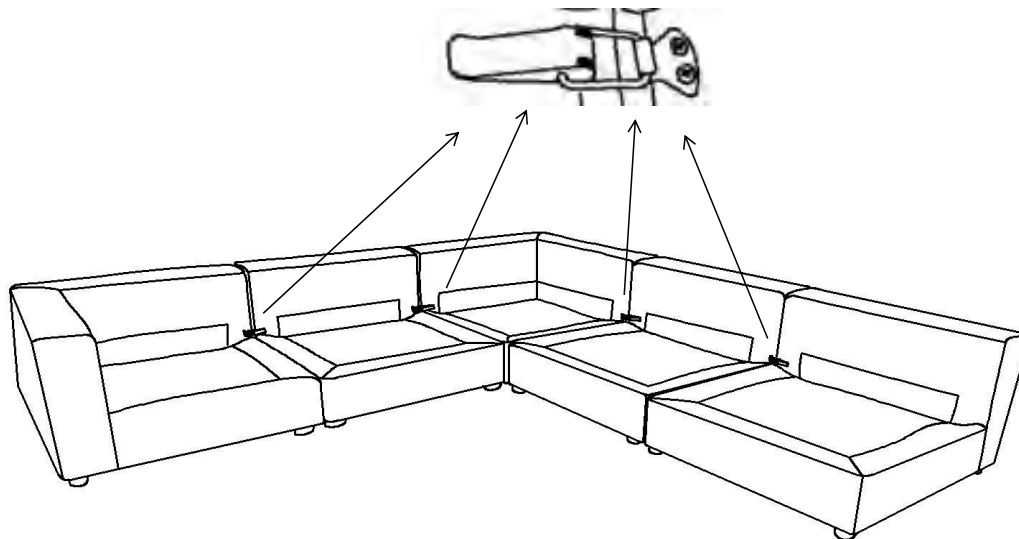


STEP 3

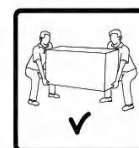
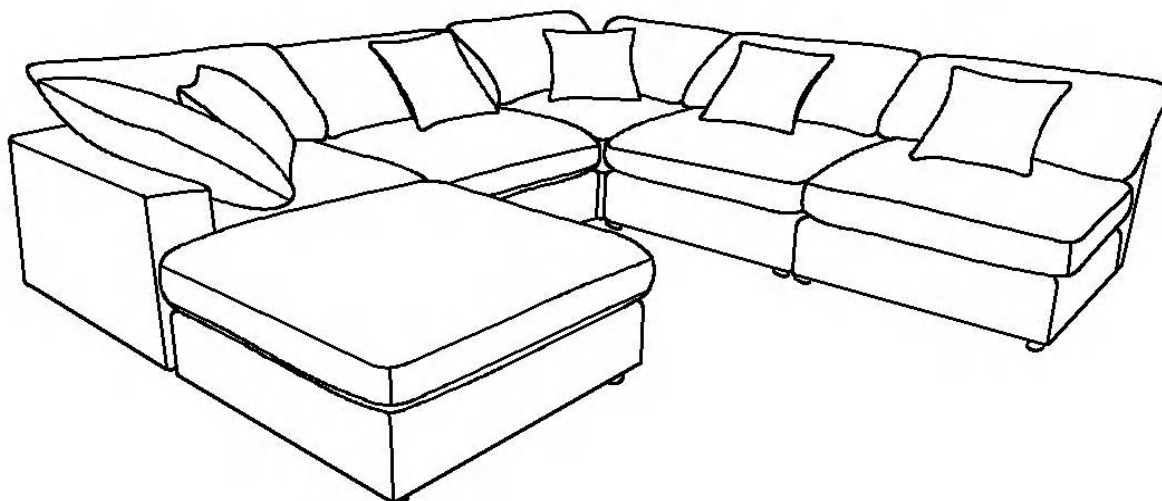


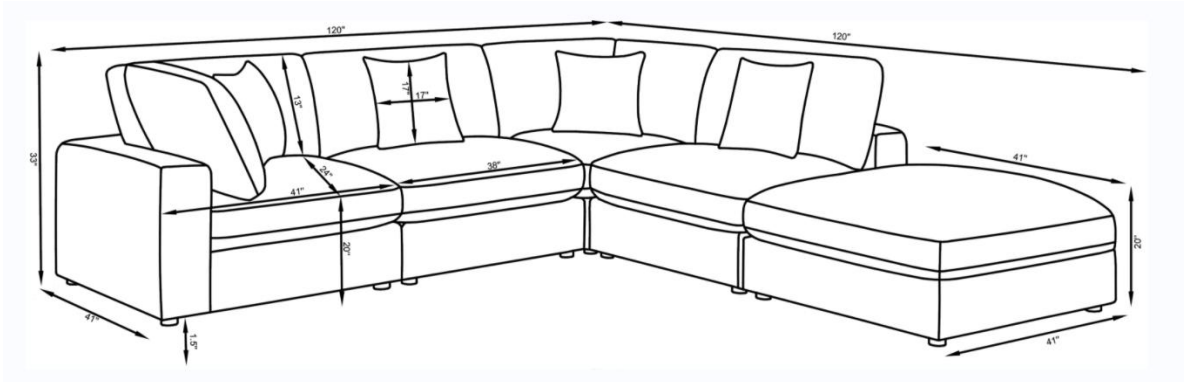
# ASSEMBLY INSTRUCTIONS

STEP 1



STEP 2





Note : Dimension tolerance  $\pm 5\%$