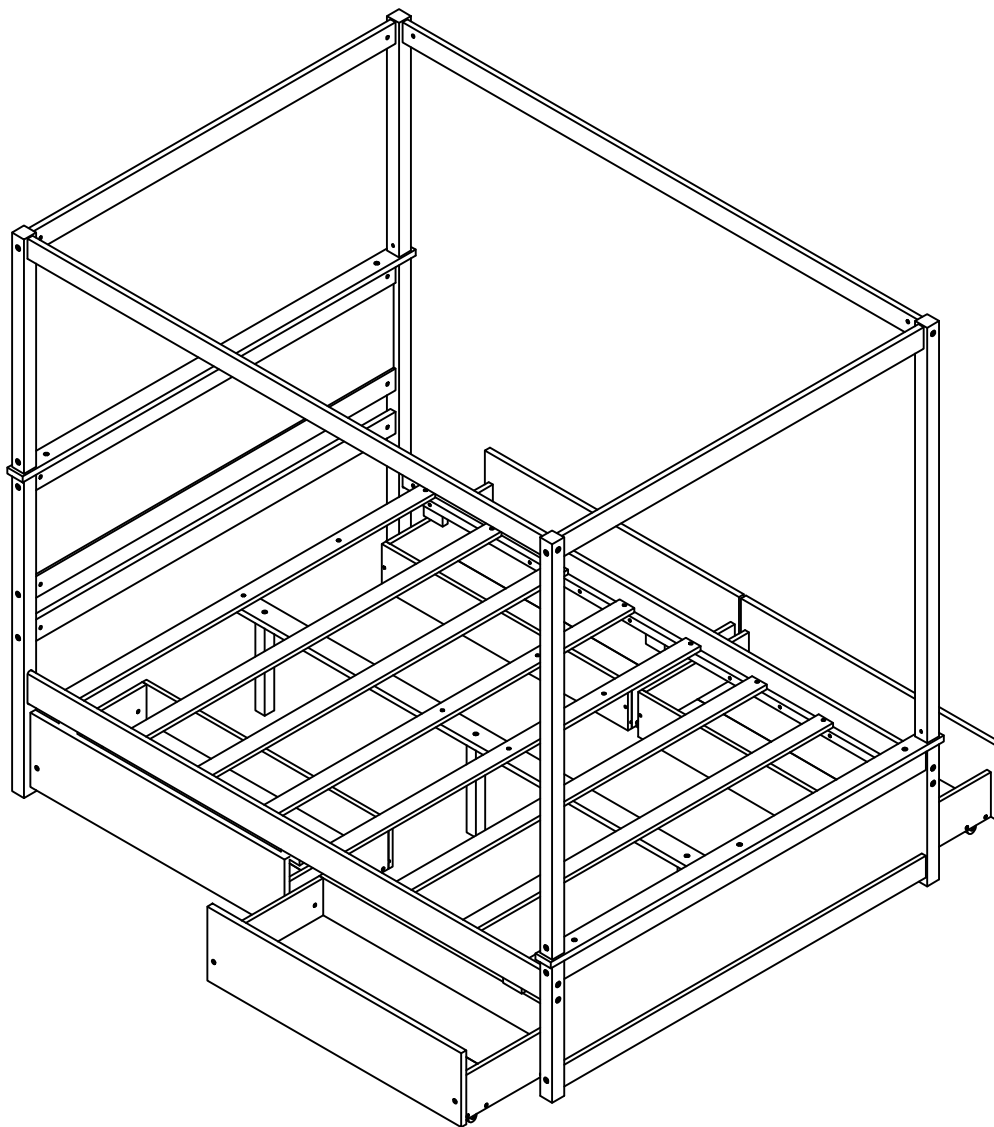
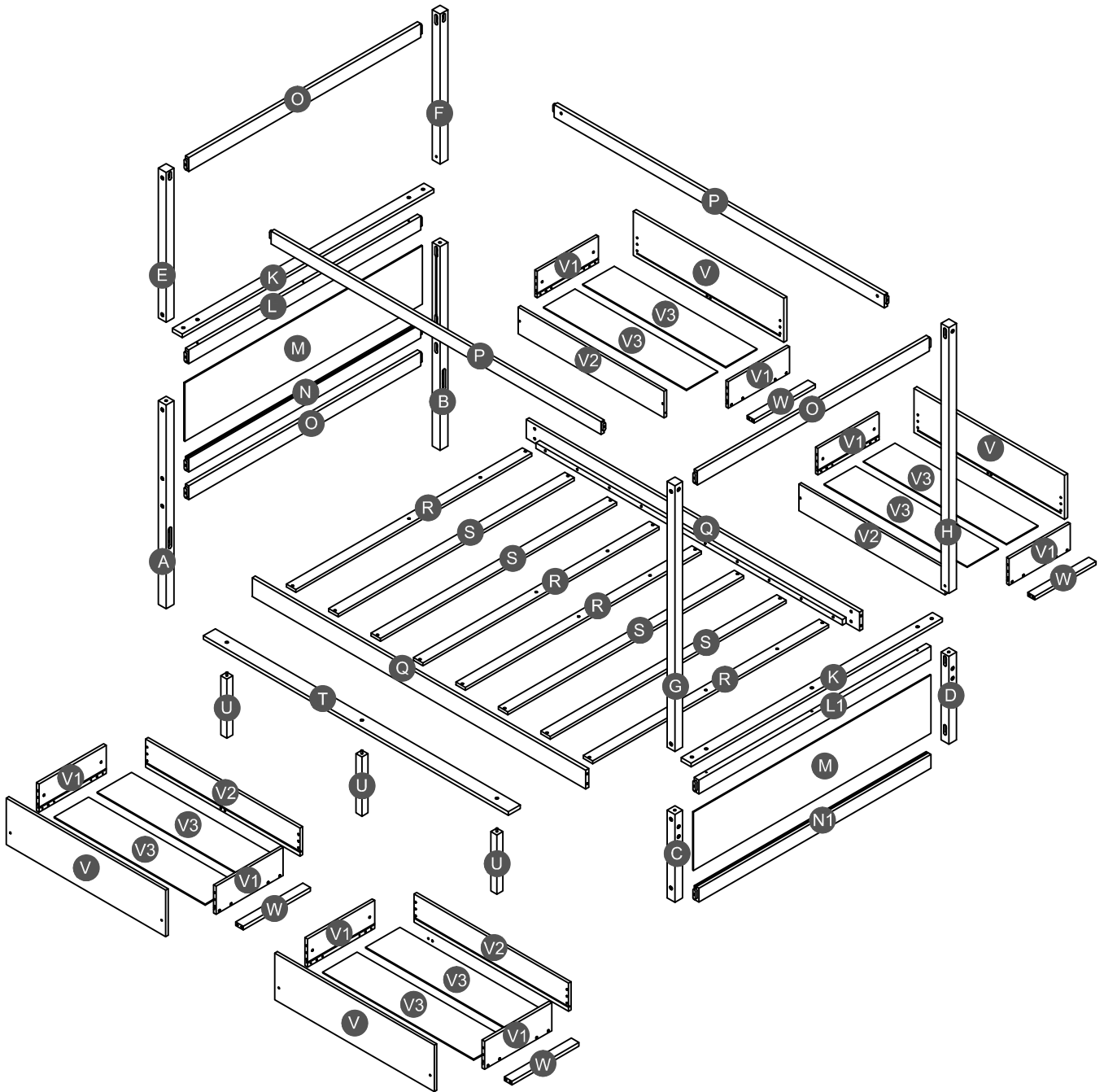


ASSEMBLY INSTRUCTIONS

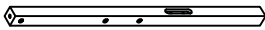
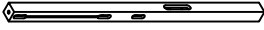
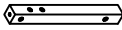
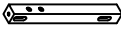
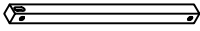
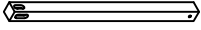
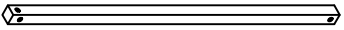
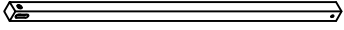
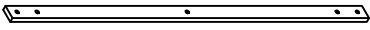
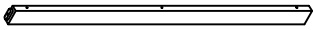
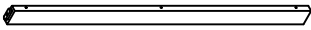
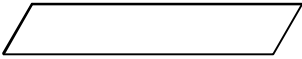
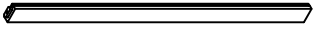
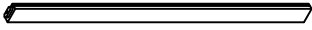
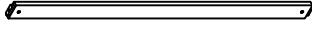

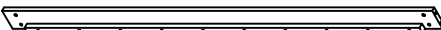
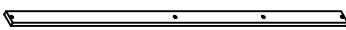
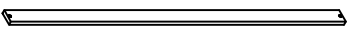

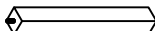
FULL BED WITH 4 DRAWERS

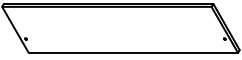
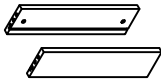

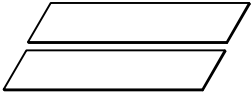
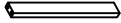


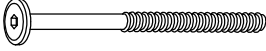
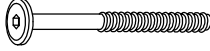
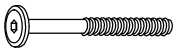






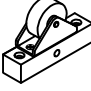
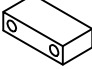


Detail View



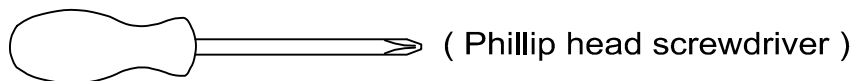
Part List

A  Lower leg left front - 1pc	B  Lower leg left back - 1pc	C  Lower leg right front - 1pc
D  Lower leg right back - 1pc	E  Upper leg left front - 1pc	F  Upper leg left back - 1pc
G  Upper leg right front - 1pc	H  Upper leg right back - 1pc	K  Cap for lower HB&FB - 2pcs
L  Horizontal bar HB - 1pc	L1  Horizontal bar FB - 1pc	M  Lower side panel HB-FB - 2pcs
N  Horizontal bar HB- 1pc	N1  Horizontal bar FB- 1pc	O  Horizontal bar - 3pcs
P  Upper horizontal bar - 2pcs	Q  Side rail - 2pcs	R  Slats - 4pcs
S  Slats - 4pcs	T  Lower support slat - 1pc	U  Leg support - 3pcs

V  Front drawer panel - 4pcs	V1  Left / right drawer panel - 8pcs	V2  Back drawer panel - 4pcs
V3  Drawer bottom - 8pcs	W  Support drawer - 4pcs	

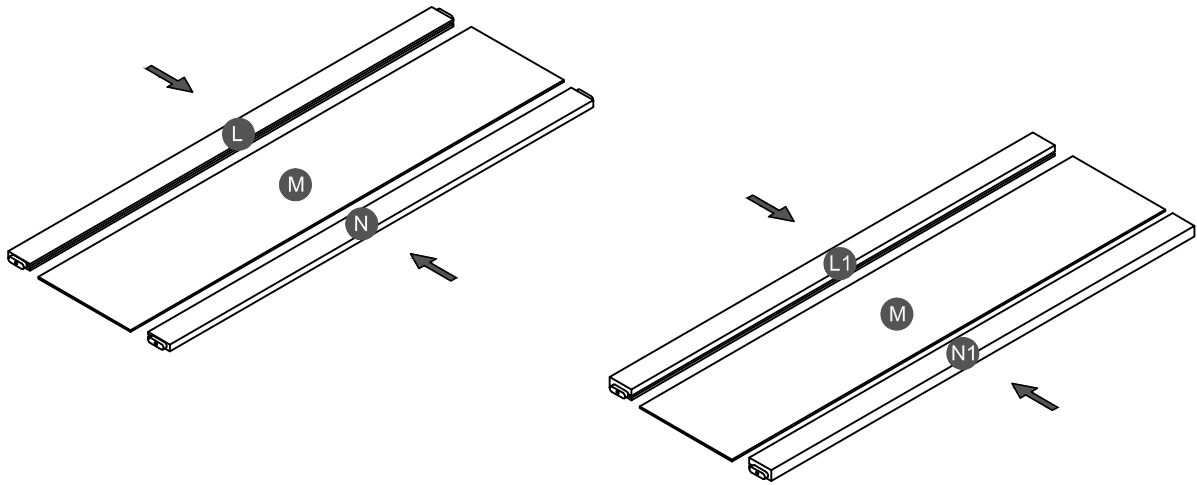
1  (Ø15)1/4"*100mm	2  (Ø15)1/4"*80mm	3  (Ø12)1/4"*60mm
Hex-Head bolts (12pcs)	Hex-Head bolts (14pcs)	Hex-Head bolts (16pcs)
4  (Ø12)1/4"*30mm	5  1/4"*15 (9.5mm)	6  (Ø12)1/4"*40mm
Hex-Head bolts (4pcs)	Horizontal-Hole bolts(42pcs)	Hex-Head bolts (6pcs)
7  (Ø10)1/4"*95mm	8  Ø4*30mm	9  (1/4")4.5*58mm
Connecting bar (4pcs)	Wood screws (64pcs)	Allen key (1pc)
10  100*20*54mm	11  70*35*19 mm	12  Ø8*30mm
Wheels (16pcs)	Drawer stopper (6pcs)	Wood dowel (48pcs)
13  Ø10*20mm		
Wood dowel (16pcs)		

ASSEMBLY TOOLS REQUIRED (NOT INCLUDED)





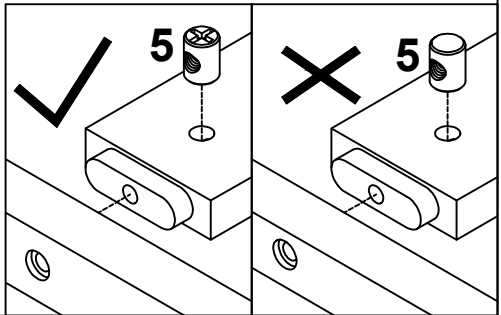
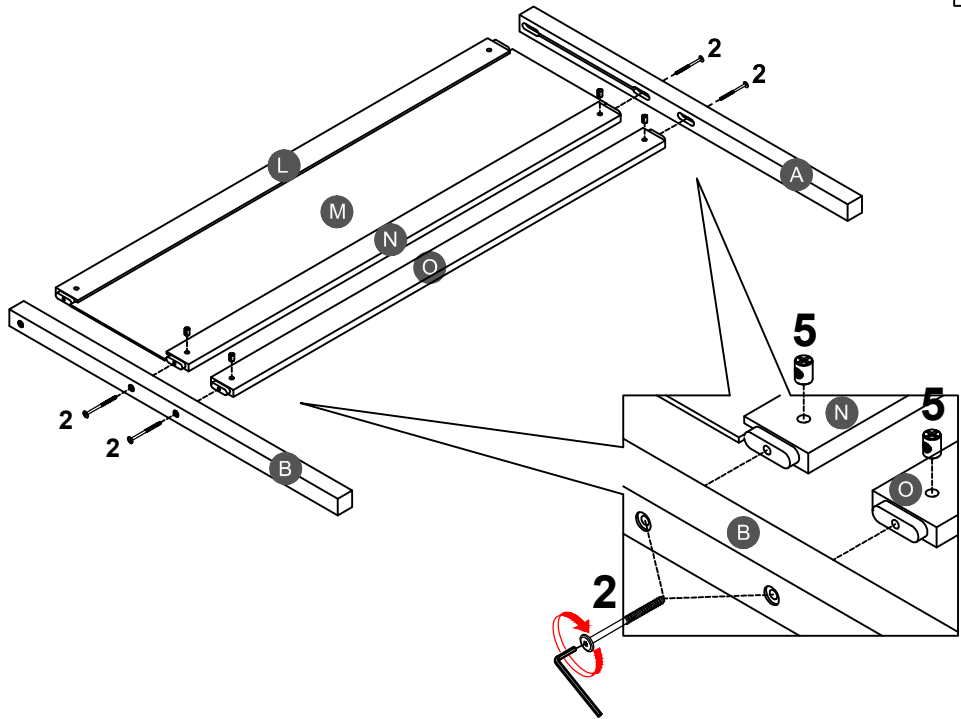
DO NOT USE POWER TOOLS TO ASSEMBLE THIS PRODUCT !

STEP 1:






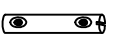
STEP 2:

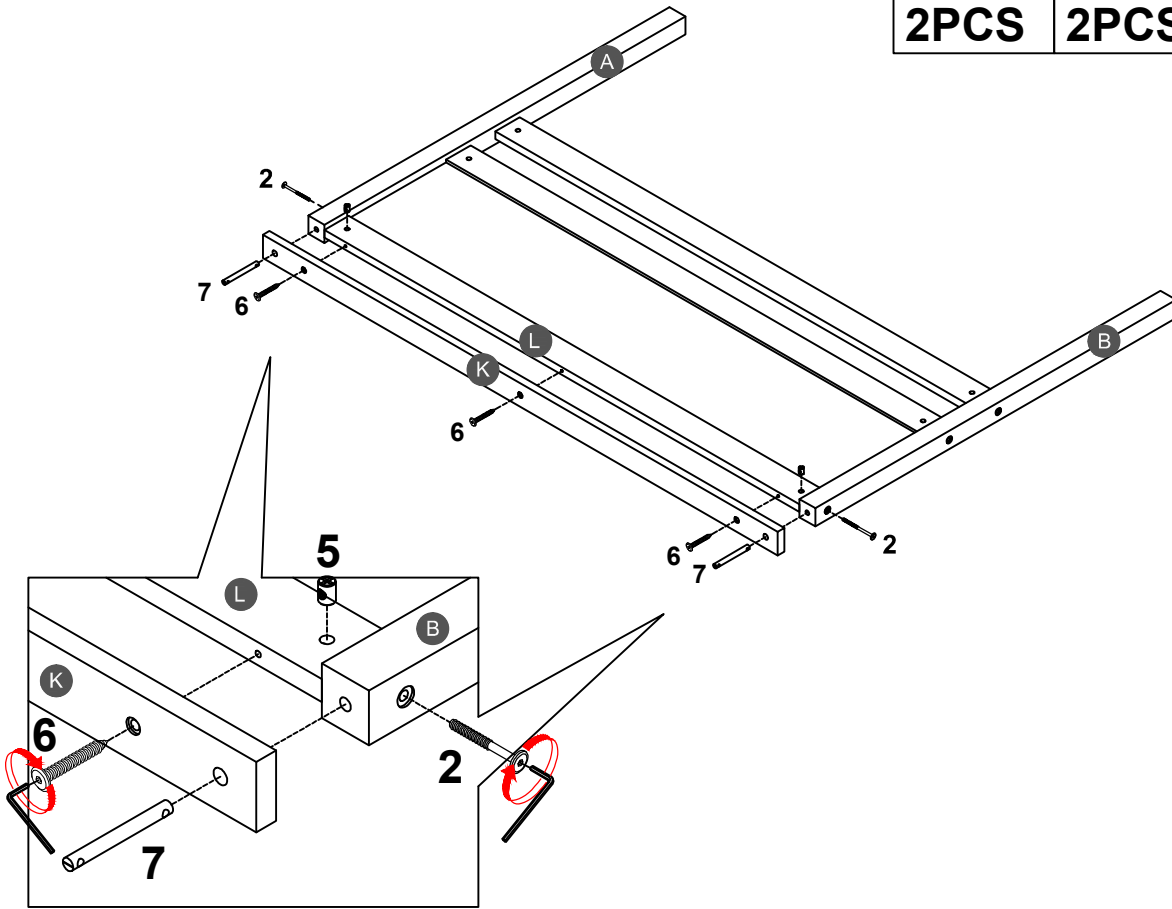
2		5	
4PCS		4PCS	





Note: Part 5 will face up with the "x" mark on it, otherwise it cannot be tightened

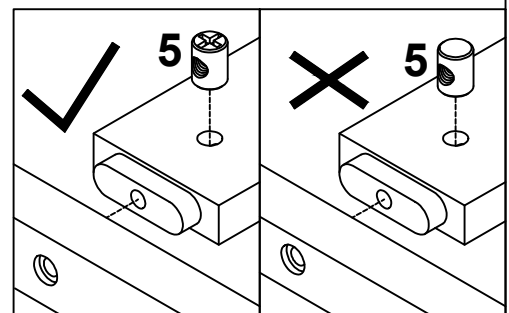
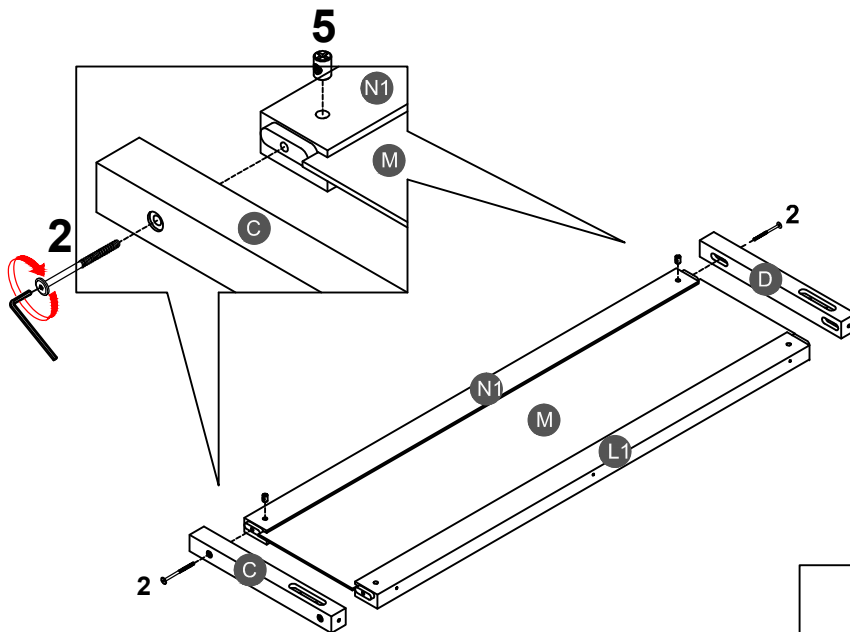
STEP 3:

2		5		6	
2PCS		2PCS		3PCS	
				7	
				2PCS	






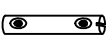
STEP 4:

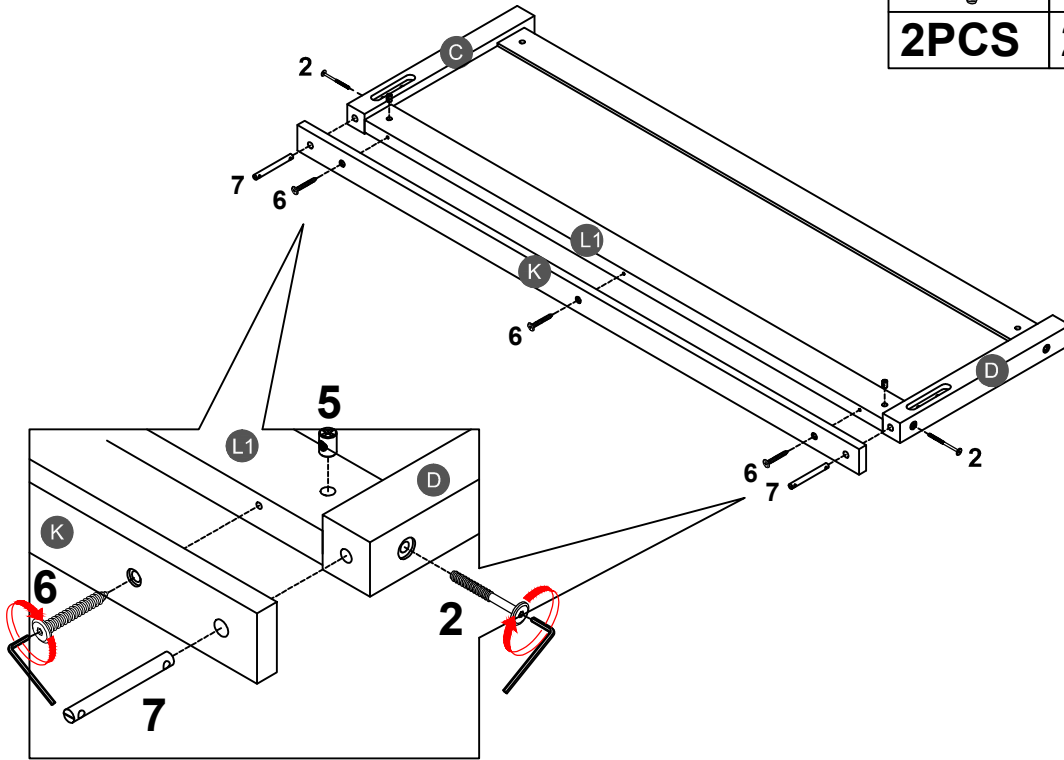
2		5	
2PCS		2PCS	




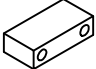
Note: Part 5 will face up with the "x" mark on it, otherwise it cannot be tightened

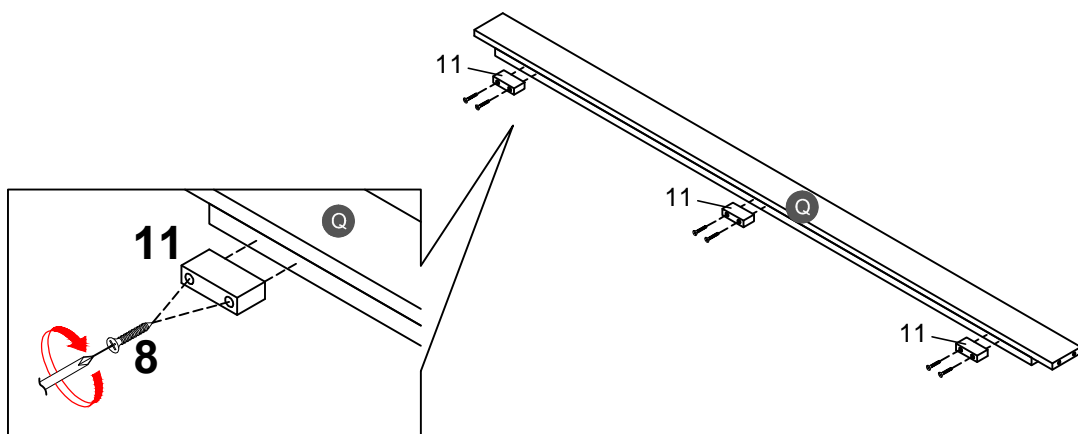
STEP 5:

2		5		6	
2PCS		2PCS		3PCS	
			7		
			2PCS		



STEP 6:



8		11	
12PCS		6PCS	

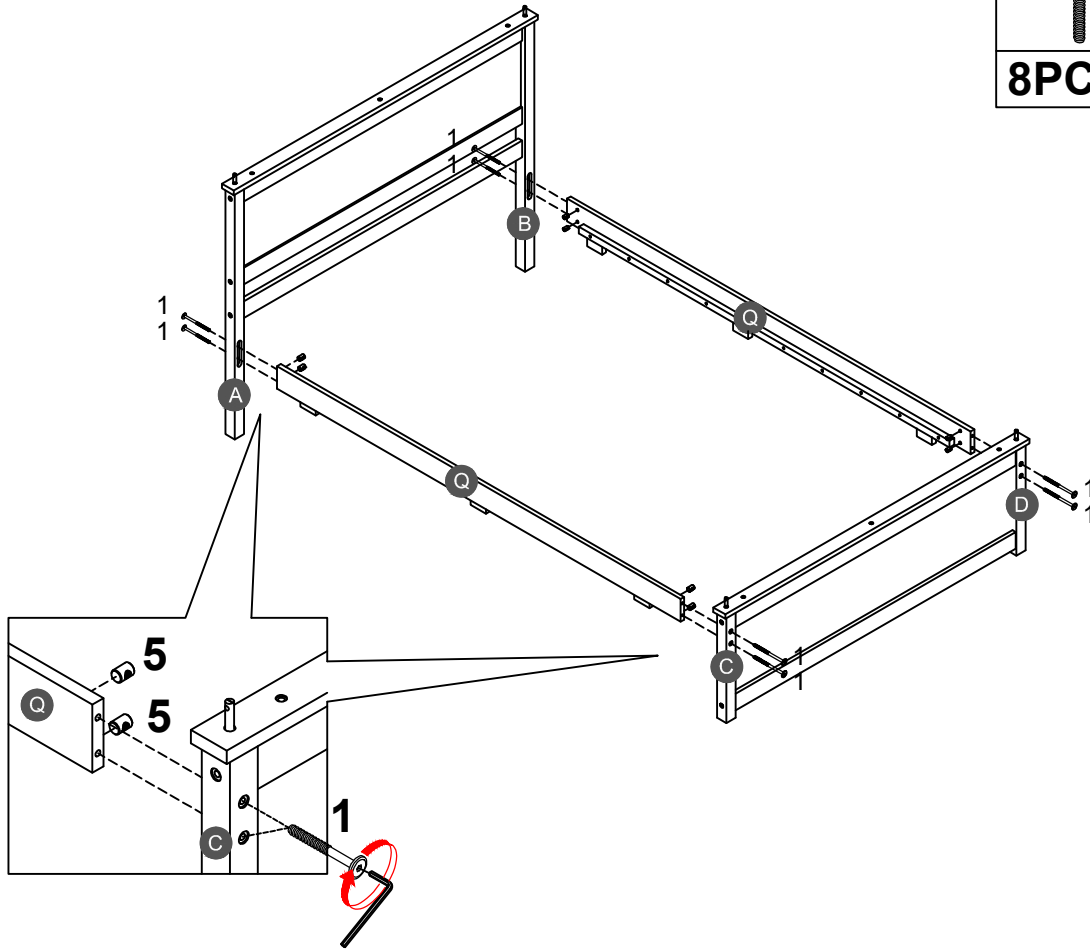


2pcs



Drawer stopper (11) with lower side rail front (Q) by using screw (8).

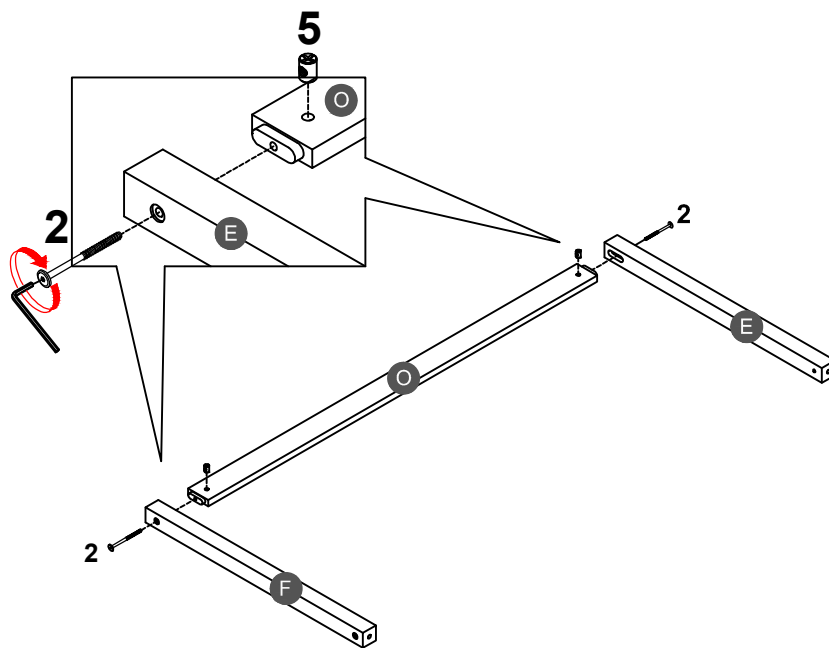
STEP 7:

1		5	
8PCS		8PCS	





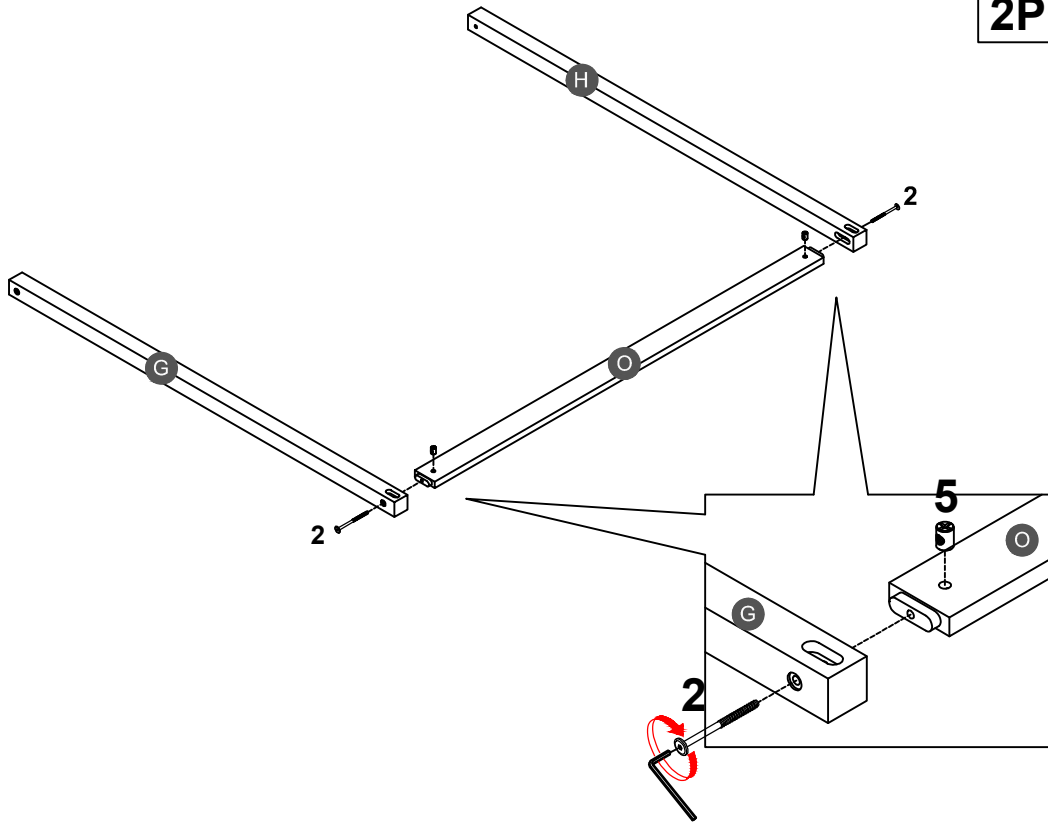
STEP 8:

2		5	
2PCS		2PCS	





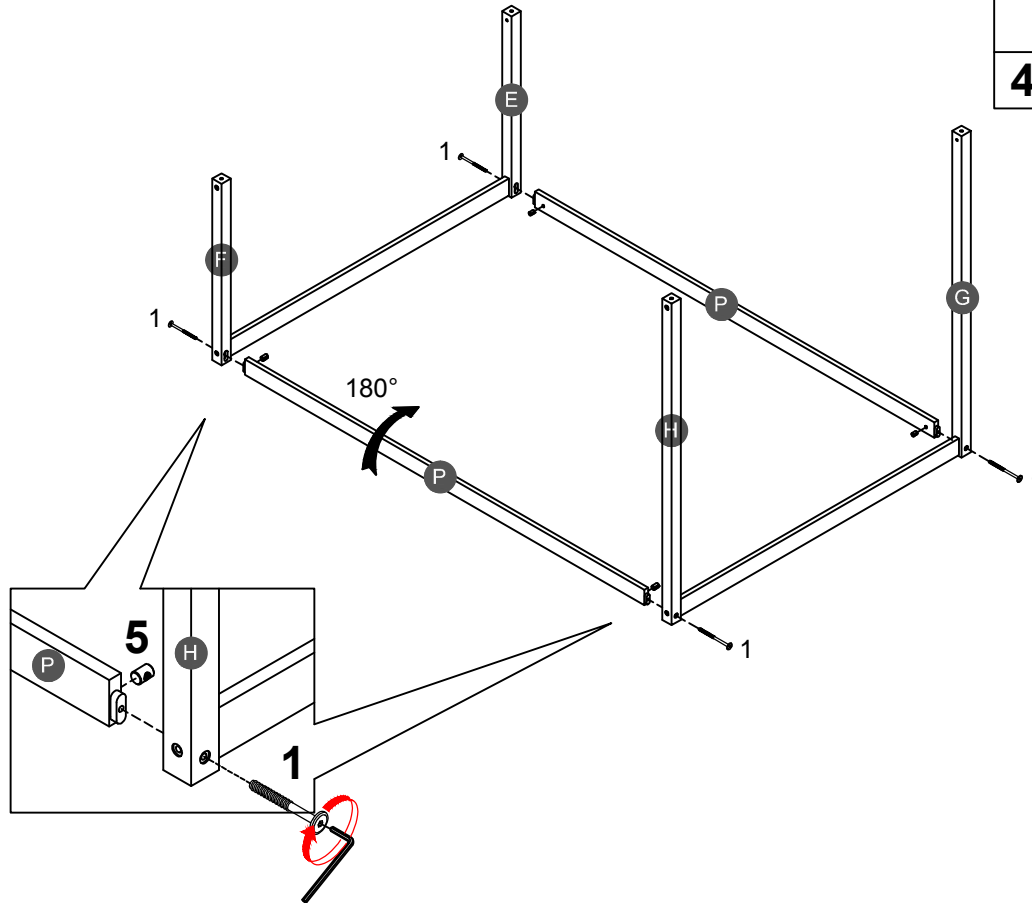
STEP 9:

2		5	
2PCS		2PCS	



STEP 10:

1		5	
4PCS		4PCS	

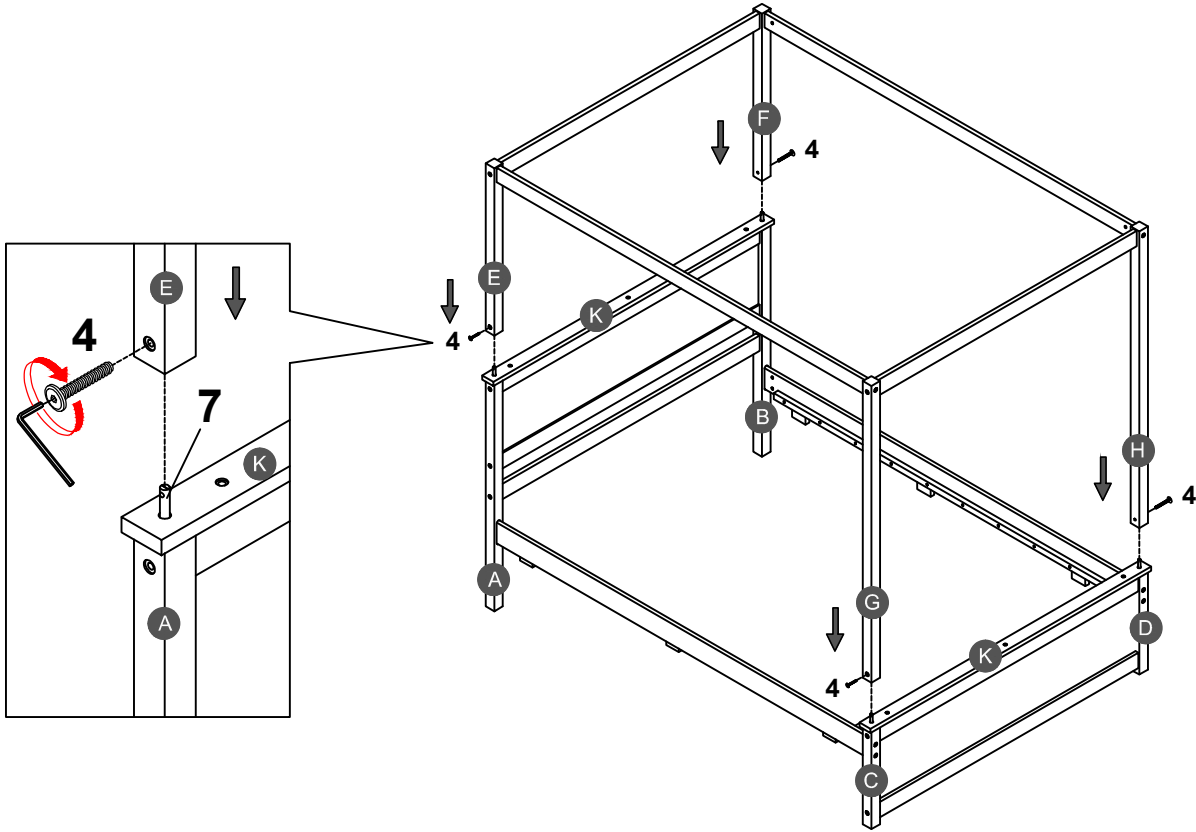


STEP 11:

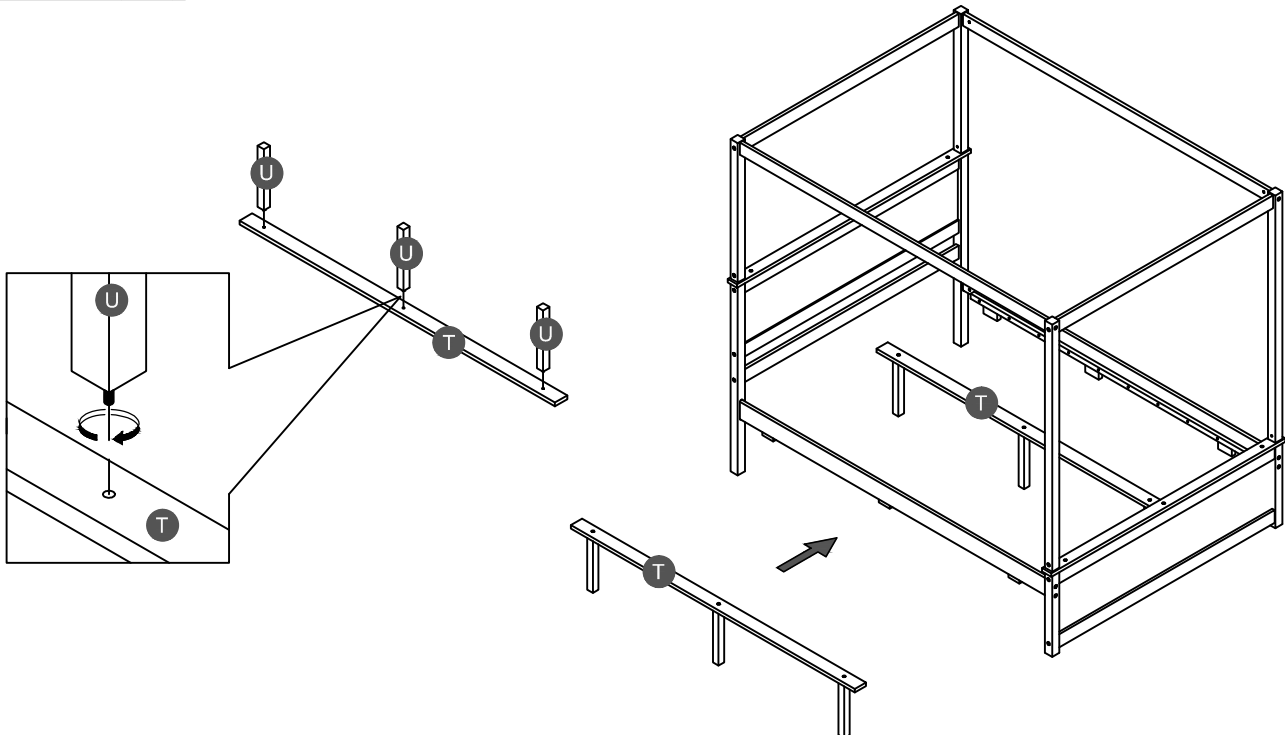
4



4PCS



STEP 12:



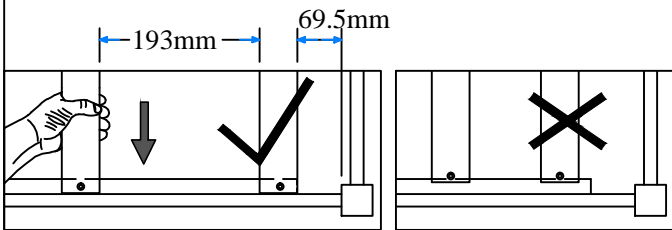
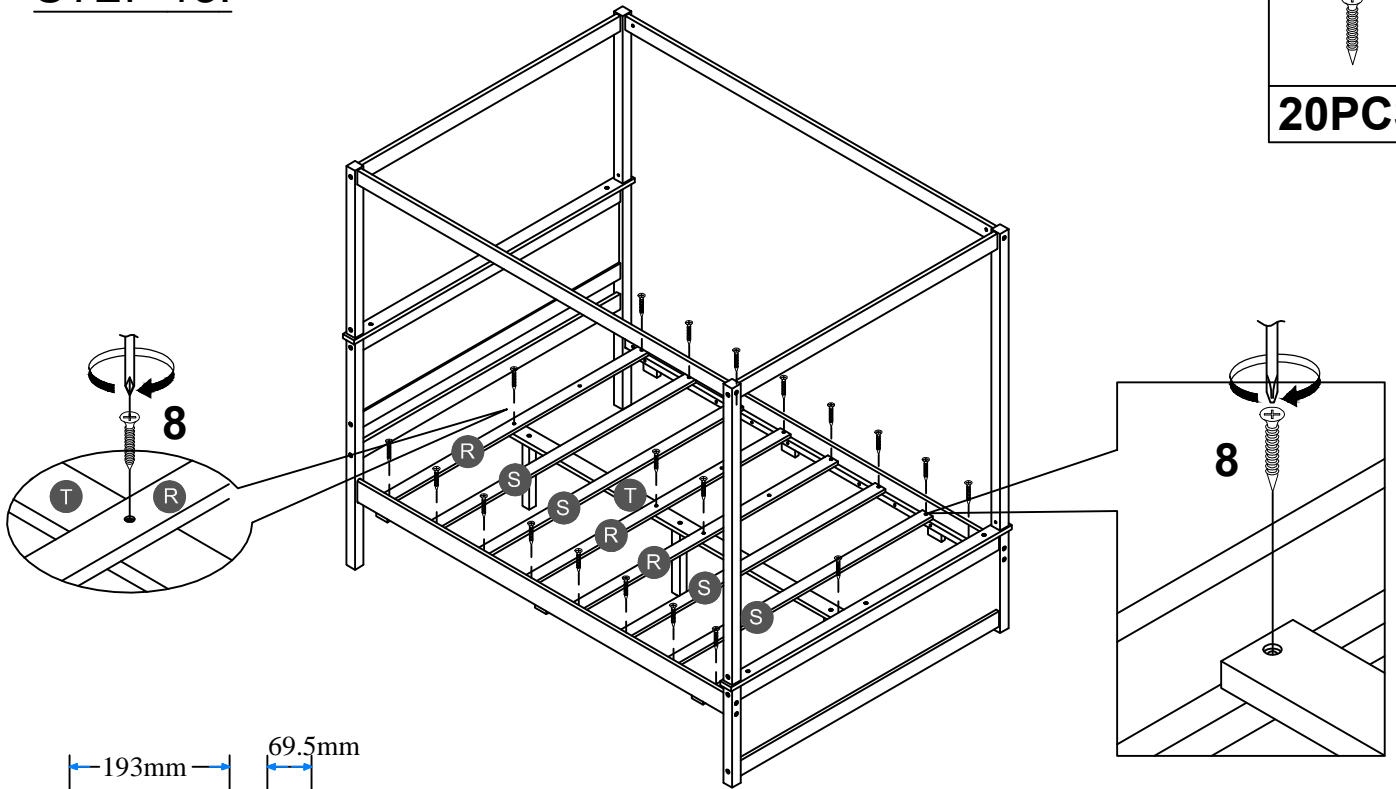
Assembling leg support (U) with lower support slat (T) later rotate, Move support slat inside Full bunkbed.

STEP 13:

8



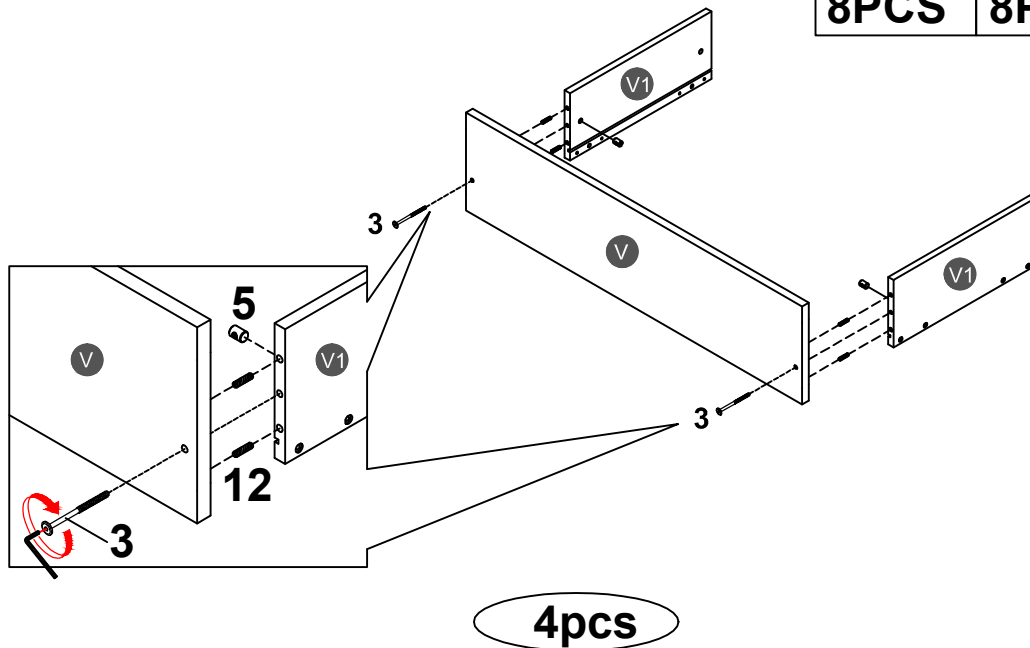
20PCS



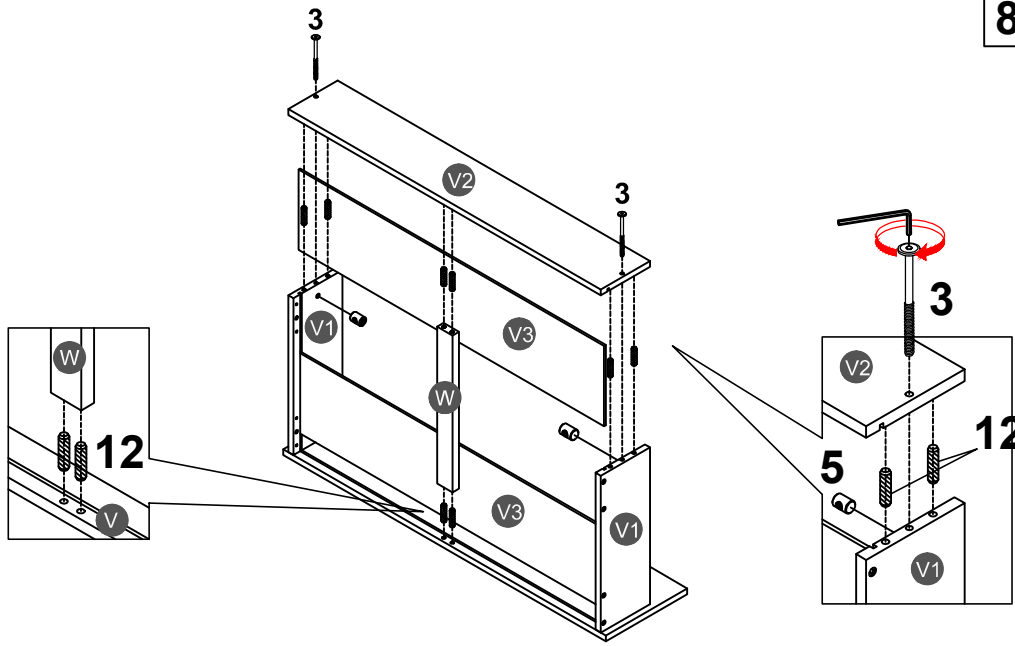
Note: Do not lock the screws of the bed slats to the outermost edge of the bed slats, you need to leave a certain space at the edges, otherwise it will cause the board to break. Do not lock the bed slats on the edge of the wood, please hold firmly before screwing, hold it in place with one hand, then lock the screw.

STEP 14:

3		5		12	
8PCS		8PCS		16PCS	



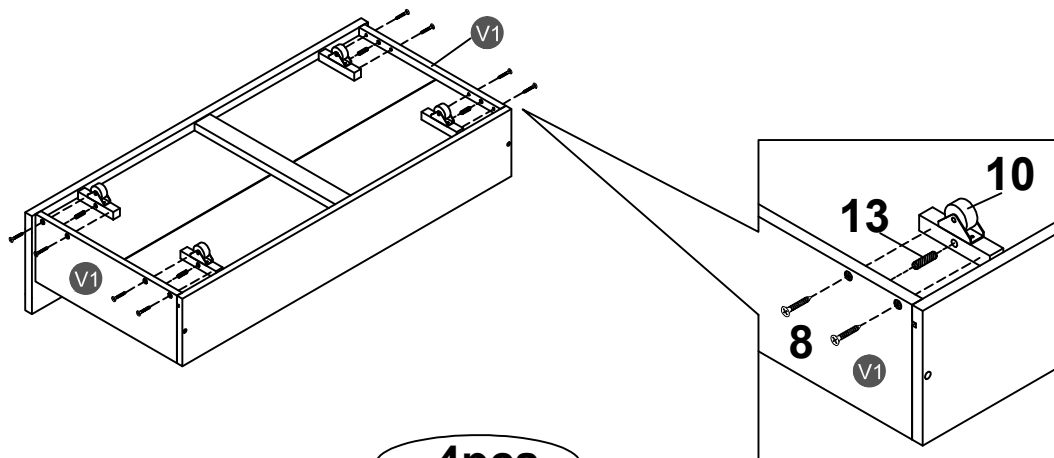
STEP 15:



3		5	
8PCS		8PCS	
		12	
		32PCS	

4pcs

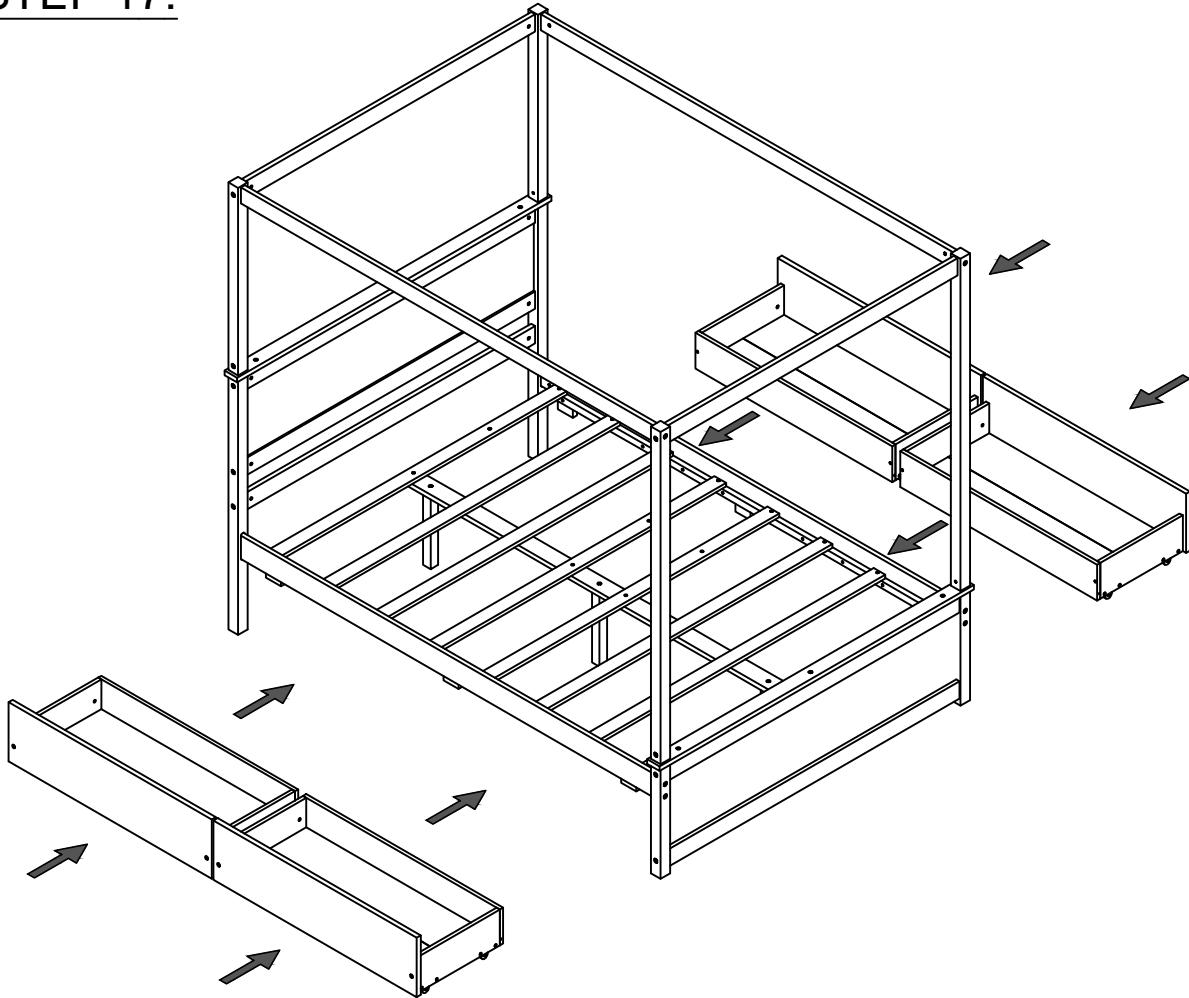
STEP 16:



8		10		13	
32PCS		16PCS		16PCS	

4pcs

STEP 17:



Push Drawer under the bottom of Bunkbed.

